



US00D782889S

(12) **United States Design Patent**
Vera Andrades

(10) **Patent No.:** **US D782,889 S**

(45) **Date of Patent:** **** Apr. 4, 2017**

(54) **PITCH FORK TOOL WITH AN INTERCHANGEABLE SPADE HEAD**

(71) Applicant: **Enrique Vera Andrades**, San Pedro de Alcantara (ES)

(72) Inventor: **Enrique Vera Andrades**, San Pedro de Alcantara (ES)

(**) Term: **14 Years**

(21) Appl. No.: **29/507,031**

(22) Filed: **Oct. 23, 2014**

(51) **LOC (10) Cl.** **08-01**

(52) **U.S. Cl.**
USPC **D8/13; D8/10**

(58) **Field of Classification Search**
USPC D8/1, 6, 7, 9, 10, 11, 13
CPC .. A01B 1/00; A01B 1/02; A01B 1/022; A01B 1/04; A01B 1/06; A01B 1/08; A01B 1/10; A01B 1/12; A01B 1/20; A01B 1/227; A01D 1/00; A01D 9/00; A01D 9/06; A01D 11/04; A01D 11/06
See application file for complete search history.

(56) **References Cited**

U.S. PATENT DOCUMENTS

- 74,895 A * 2/1868 Cole A01B 1/022 294/51
- 84,797 A * 12/1868 Connolly A01B 1/02 294/49
- 140,855 A * 7/1873 Stone A01B 1/022 294/51
- 208,749 A * 10/1878 McCann E04G 7/18 294/51
- 493,110 A * 3/1893 Orthwein A01B 1/024 294/60
- 825,461 A * 7/1906 Hasseler A01B 1/022 294/51

- 1,335,848 A * 4/1920 Miller A01B 1/022 294/60
- 1,458,987 A * 6/1923 Monica A01B 1/227 294/55.5
- 4,203,210 A * 5/1980 Hadlick, Jr. E04D 15/003 254/131.5
- 4,247,141 A * 1/1981 Grint A01B 1/02 294/49
- 5,109,930 A * 5/1992 Napier A01B 1/02 111/99
- 5,743,580 A * 4/1998 Evans B25G 3/30 294/51
- 6,076,614 A * 6/2000 Gracy A01B 1/14 172/379
- D434,284 S * 11/2000 Gracy D8/1
- 6,892,823 B2 * 5/2005 Cirella A01O 5/02 111/106
- 8,176,717 B1 * 5/2012 Mejia A01D 11/06 56/400.04

(Continued)

Primary Examiner — Sandra Snapp
Assistant Examiner — Ieisha Price
(74) *Attorney, Agent, or Firm* — Lucas & Mercanti, LLP

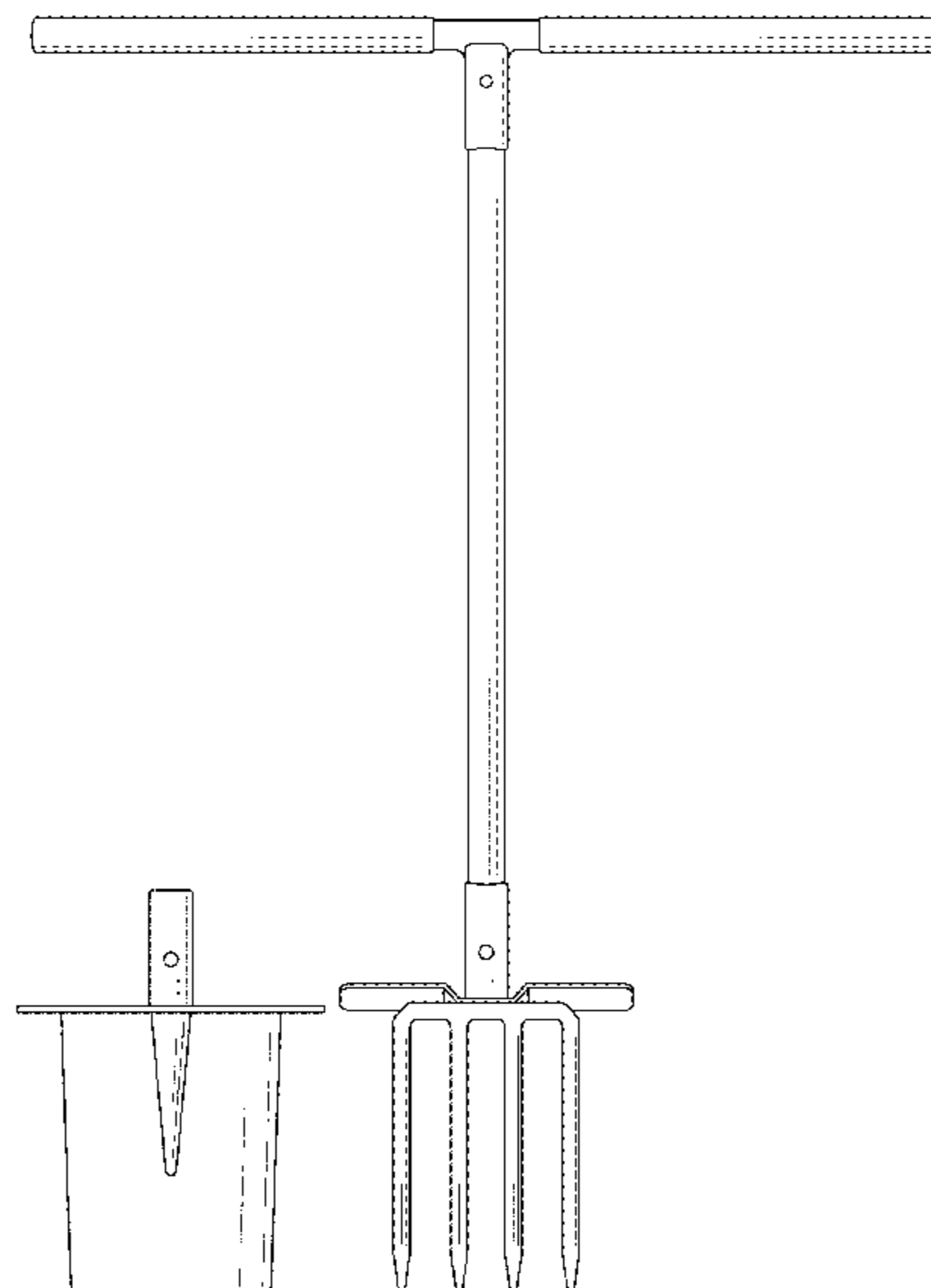
(57) **CLAIM**

The ornamental design for a pitch fork tool with an interchangeable spade head, as shown and described.

DESCRIPTION

FIG. 1 is a front view of a pitch fork tool with an interchangeable spade head according to the design;
FIG. 2 is a rear view thereof;
FIG. 3 is a perspective left side view thereof;
FIG. 4 is a right side view thereof;
FIG. 5 is a left side view thereof;
FIG. 6 is a top view thereof; and,
FIG. 7 is a bottom view thereof.

1 Claim, 7 Drawing Sheets



(56)

References Cited

U.S. PATENT DOCUMENTS

8,960,743 B1 * 2/2015 Hasenjaeger A01B 1/227
294/51
2003/0159630 A1 * 8/2003 Rollins A01M 17/002
111/7.4
2005/0035612 A1 * 2/2005 Olinski A01D 9/00
294/59
2009/0264051 A1 * 10/2009 Lesche B24D 15/06
451/45
2015/0366122 A1 * 12/2015 Vera Andrades A01B 1/022
294/51
2016/0366816 A1 * 12/2016 Pilgrim A01D 11/04

* cited by examiner

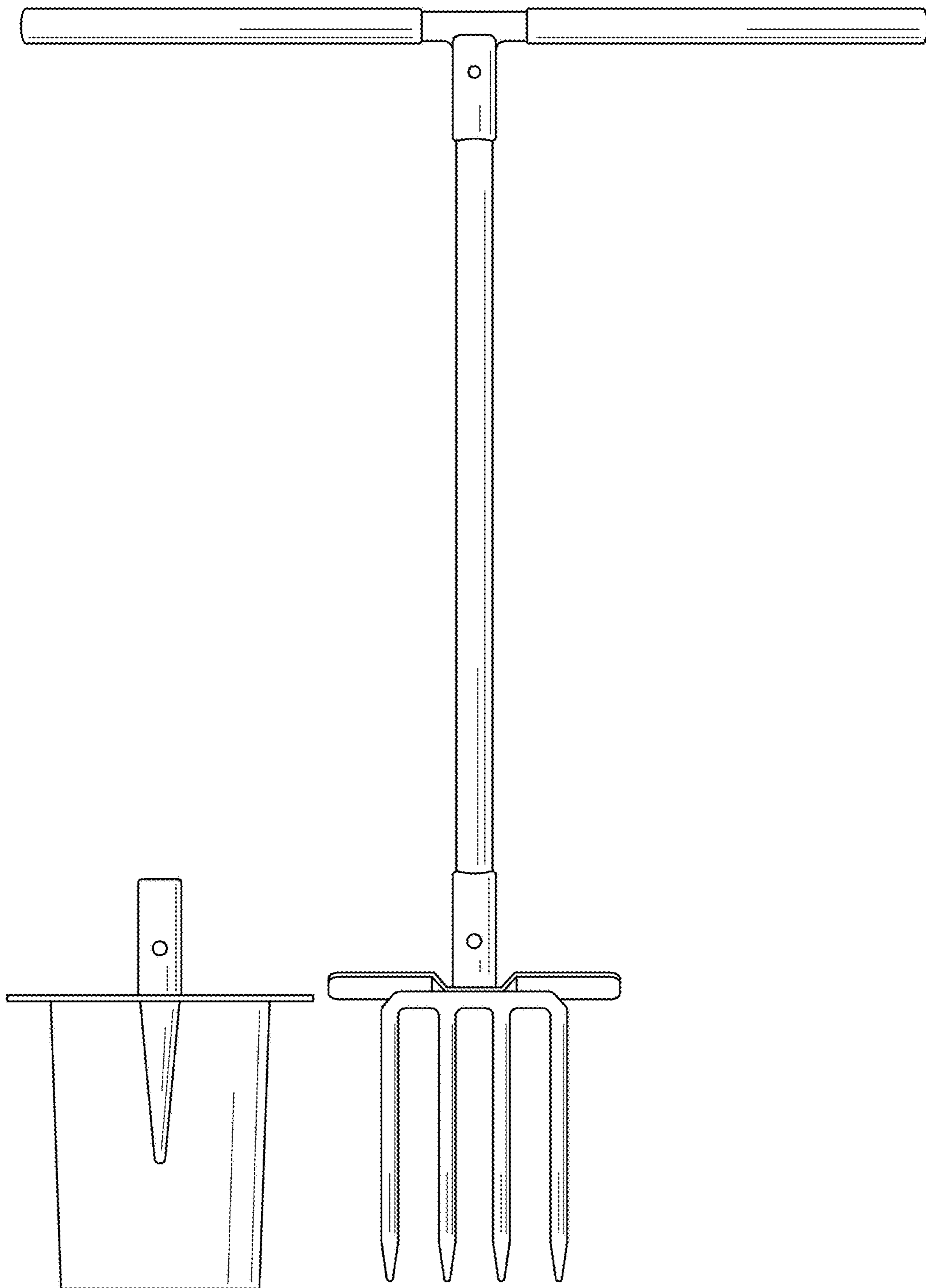


FIG. 1

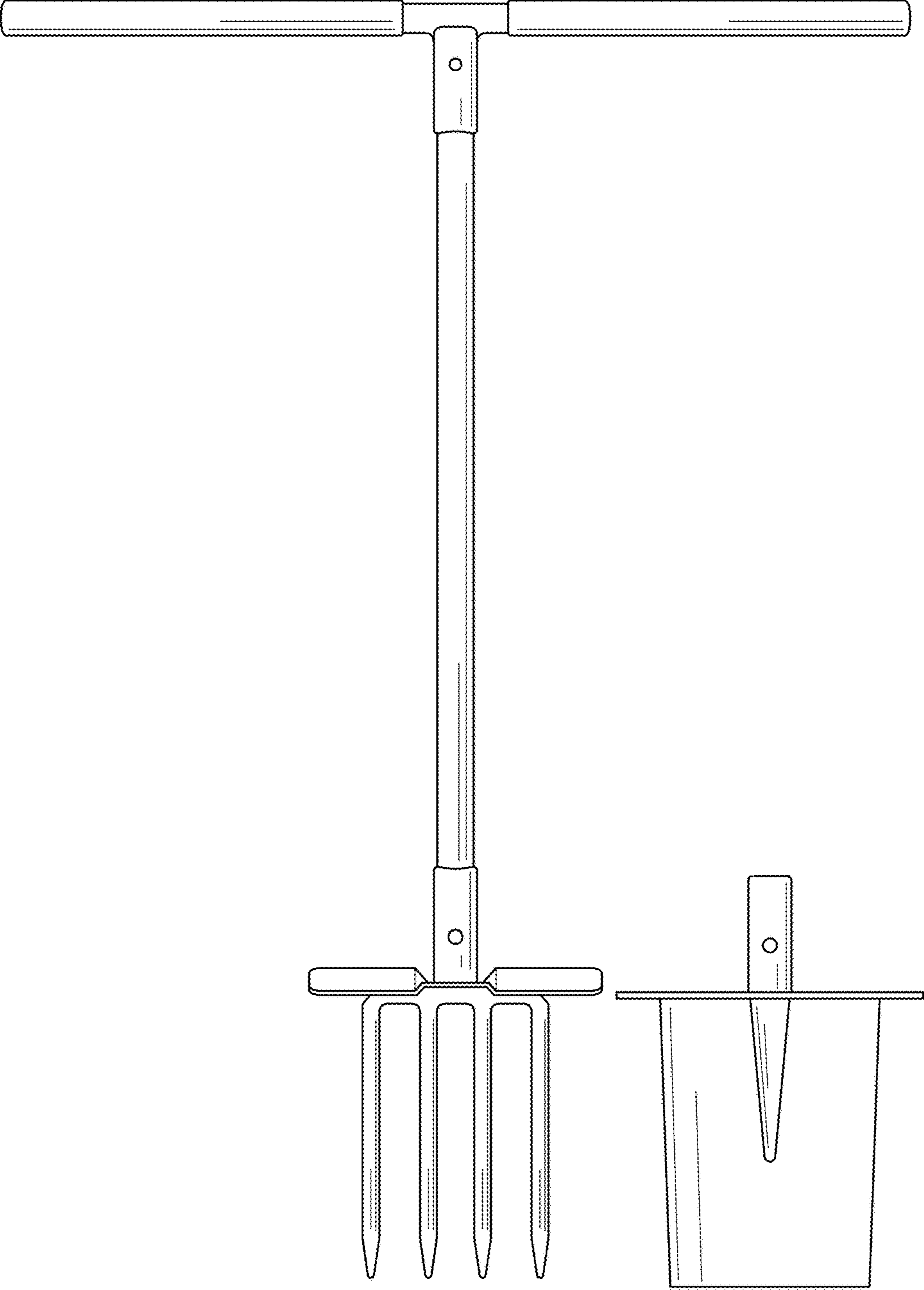


FIG. 2

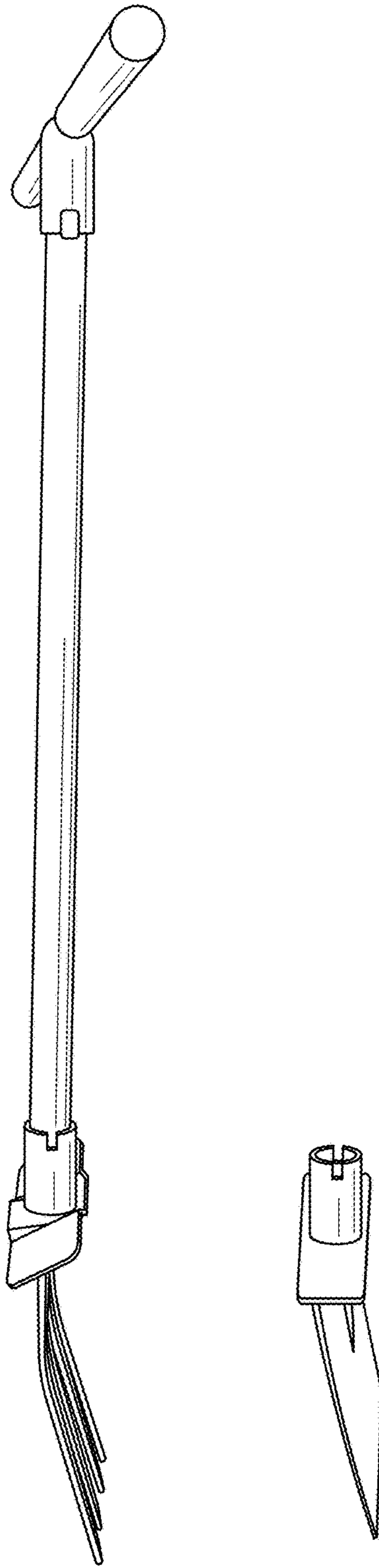


FIG. 3

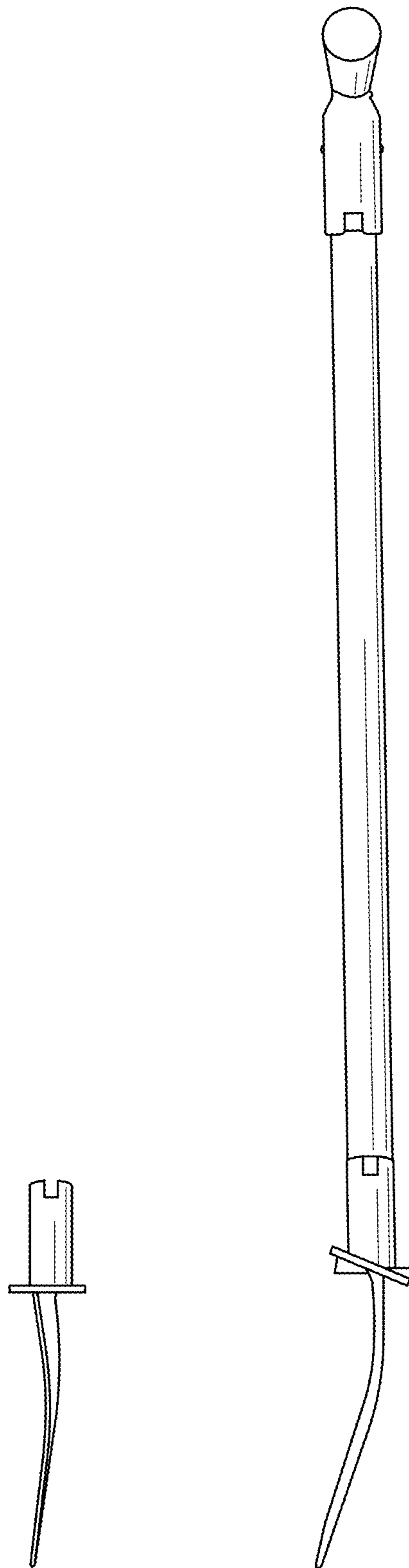


FIG. 4

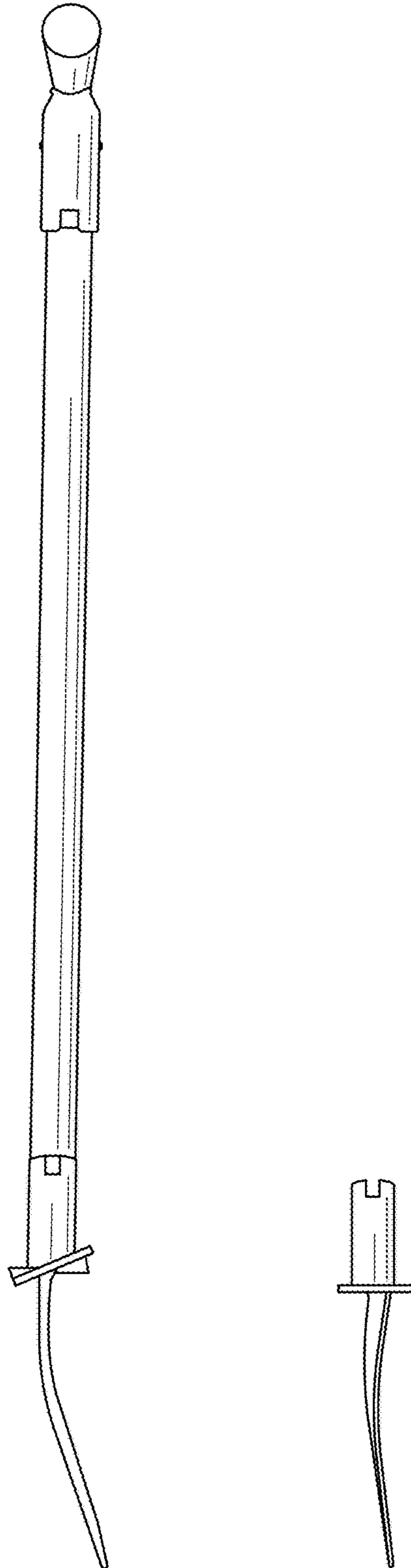


FIG. 5

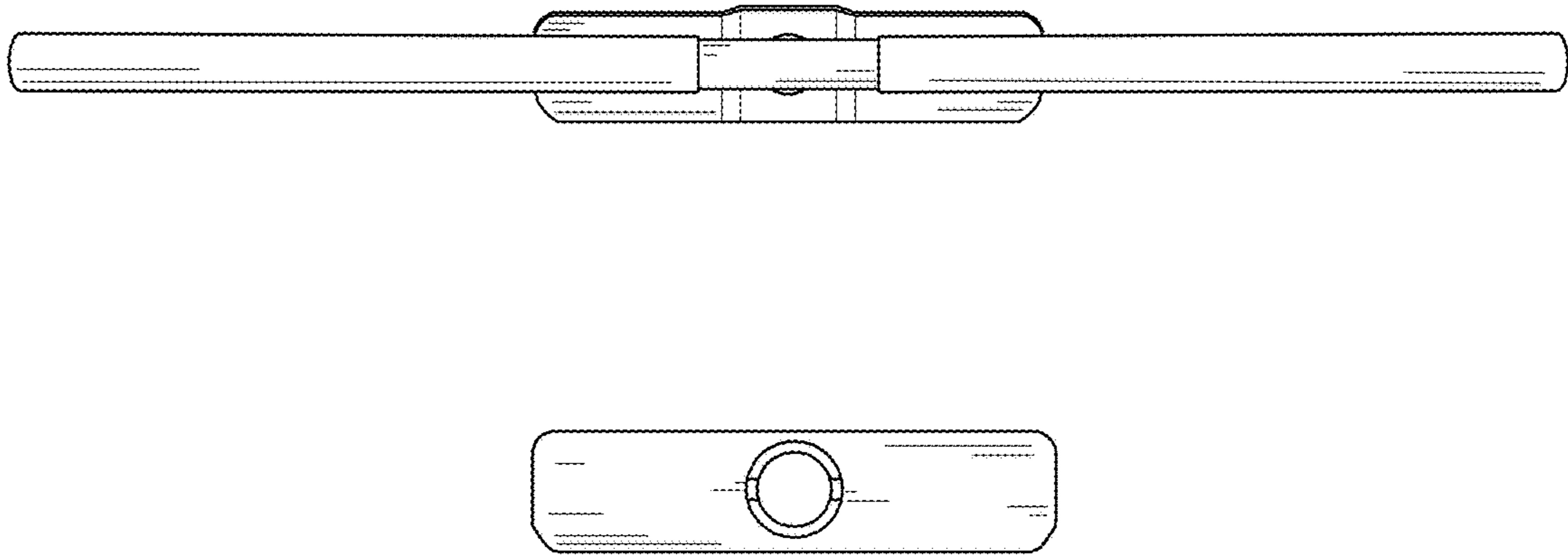


FIG. 6

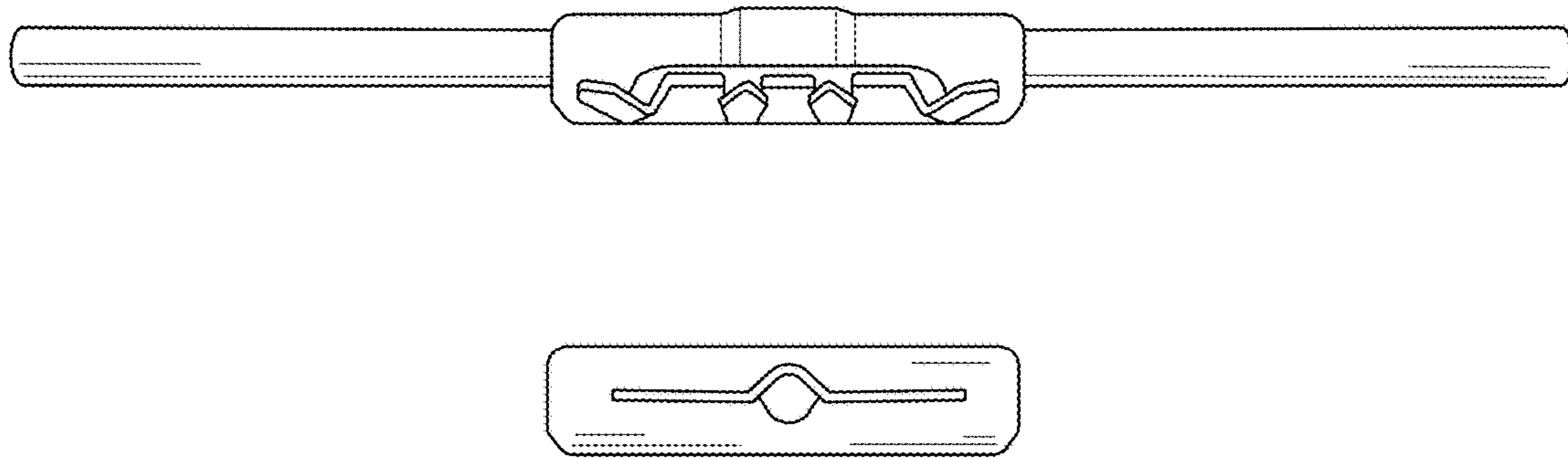


FIG. 7