



US00D782888S

(12) **United States Design Patent**
Pritchett, II

(10) **Patent No.:** **US D782,888 S**

(45) **Date of Patent:** **** Apr. 4, 2017**

- (54) **ROTATABLE SHOVEL HANDLE**
- (71) Applicant: **Philenza Joe Pritchett, II**, Bluffton, SC (US)
- (72) Inventor: **Philenza Joe Pritchett, II**, Bluffton, SC (US)
- (**) Term: **15 Years**
- (21) Appl. No.: **29/529,483**
- (22) Filed: **Jun. 8, 2015**
- (51) **LOC (10) Cl.** **08-01**
- (52) **U.S. Cl.**
USPC **D8/10**
- (58) **Field of Classification Search**
USPC D8/1, 10, 11, 107; D21/398, 532
CPC .. A01B 1/00; A01B 1/02; A01B 1/022; A01B 1/026; B25G 1/102; B25G 1/04; B25G 1/00; Y10T 16/4713; E01H 5/02
See application file for complete search history.

(56) **References Cited**

U.S. PATENT DOCUMENTS

911,291	A *	2/1909	Byor	B25G 1/00 294/58
933,647	A *	9/1909	Hunt	B25G 1/00 294/58
2,531,227	A *	11/1950	Lubins	A01B 1/026 294/58
D183,290	S *	7/1958	Shock	D8/1
D237,350	S *	10/1975	Reisner	D8/1
4,155,582	A *	5/1979	Reisner	A01B 1/22 294/58
5,054,830	A *	10/1991	Nisenbaum	B25G 1/00 16/426
D377,300	S *	1/1997	Fredrick von Essen	D8/10
5,921,600	A *	7/1999	Lucas	A01B 1/026 294/58

D417,382	S *	12/1999	Saladino, Jr.	D8/107
6,062,619	A *	5/2000	Clark, Jr.	A01B 1/026 16/426
D593,821	S *	6/2009	Kopp	D8/10
D618,973	S *	7/2010	Gosselin	D8/10
D668,128	S *	10/2012	Masalin	D8/107
D676,723	S *	2/2013	Norwood	D8/10
8,381,358	B1 *	2/2013	Frey	A45F 5/10 16/406
2003/0074765	A1 *	4/2003	Quimby	A01B 1/00 16/426
2008/0196205	A1 *	8/2008	Hixon	A01B 1/026 16/426

(Continued)

Primary Examiner — Sandra Snapp
Assistant Examiner — Ieisha Price
(74) *Attorney, Agent, or Firm* — Ward and Smith, P.A.;
Ryan K. Simmons

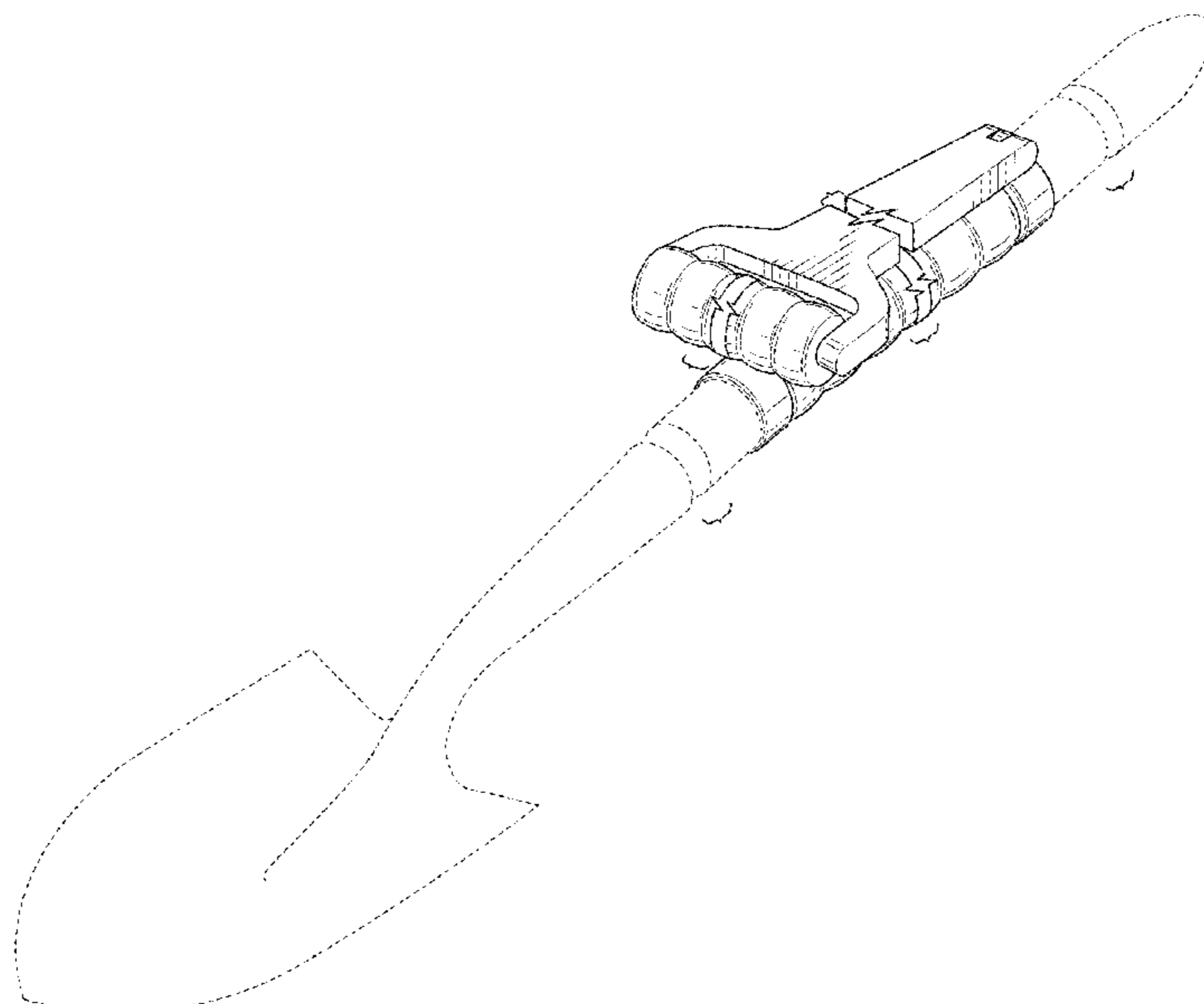
(57) **CLAIM**

The ornamental design for a rotatable shovel handle, as shown and described.

DESCRIPTION

FIG. 1 is a perspective view of a rotatable shovel handle showing a new design;
FIG. 2 is a front elevation view thereof;
FIG. 3 is a rear elevation view thereof;
FIG. 4 is a side elevation view thereof;
FIG. 5 is a perspective view showing the rotatable shovel handle in a non-extended position;
FIG. 6 is a perspective view showing the rotatable shovel handle in a partially extended position; and,
FIG. 7 is a perspective view showing the rotatable shovel handle in an extended position.
The dashed lines shown in the drawings are for environmental purposes only and form no part of the claimed design.

1 Claim, 7 Drawing Sheets



(56)

References Cited

U.S. PATENT DOCUMENTS

2013/0160654 A1* 6/2013 Agon A47J 31/4403
99/295
2013/0269153 A1* 10/2013 Longley B25G 1/00
16/426
2014/0304949 A1* 10/2014 Denton B25G 1/102
16/430
2016/0353651 A1* 12/2016 Pritchett, II A01B 1/02

* cited by examiner

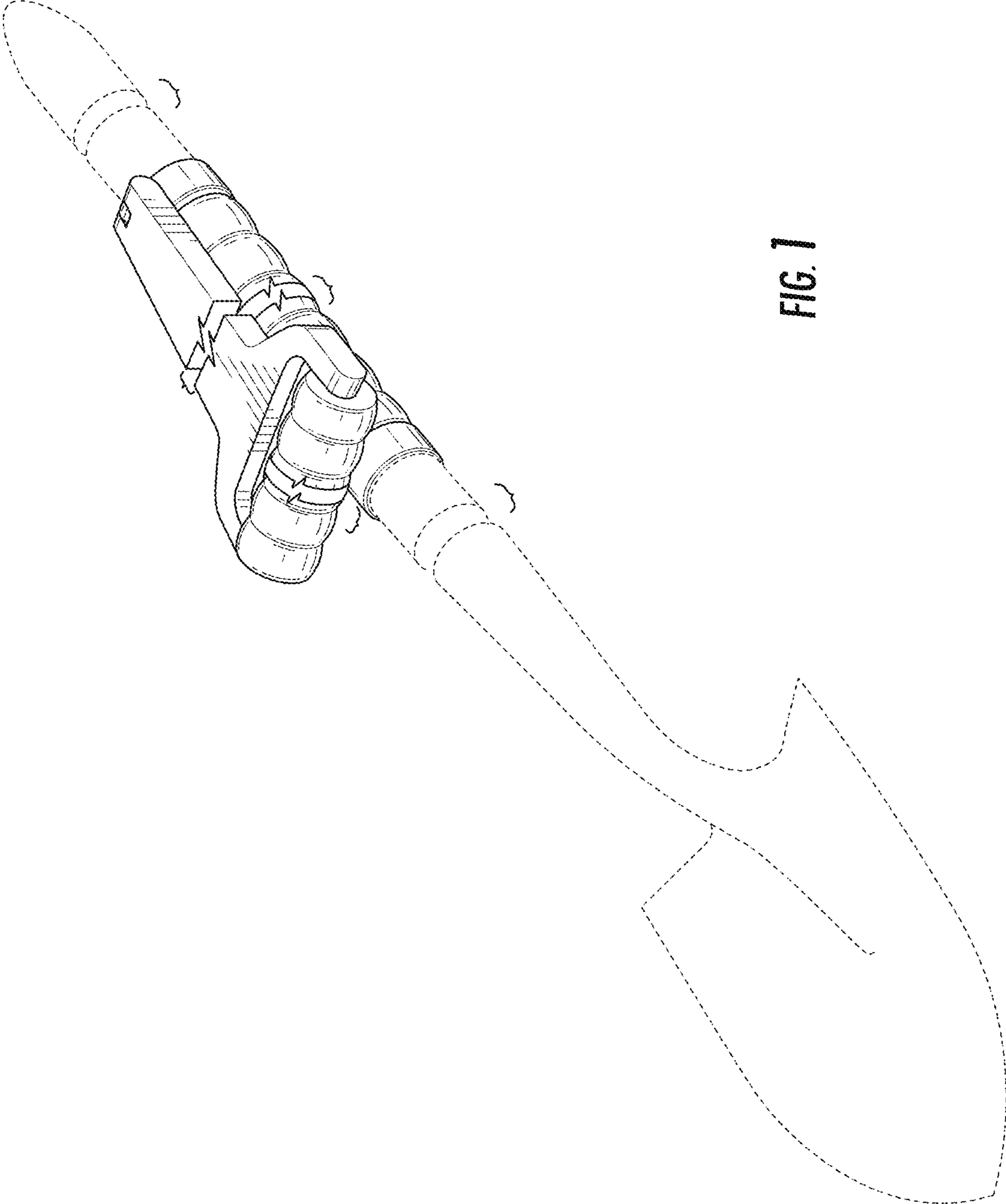


FIG. 1

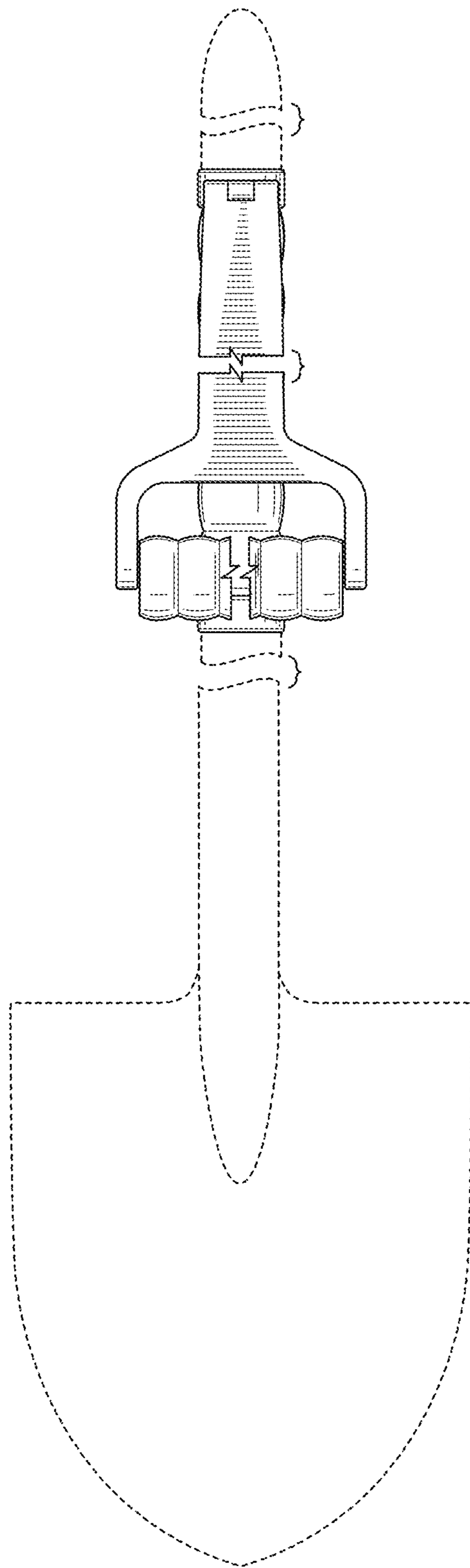


FIG. 2

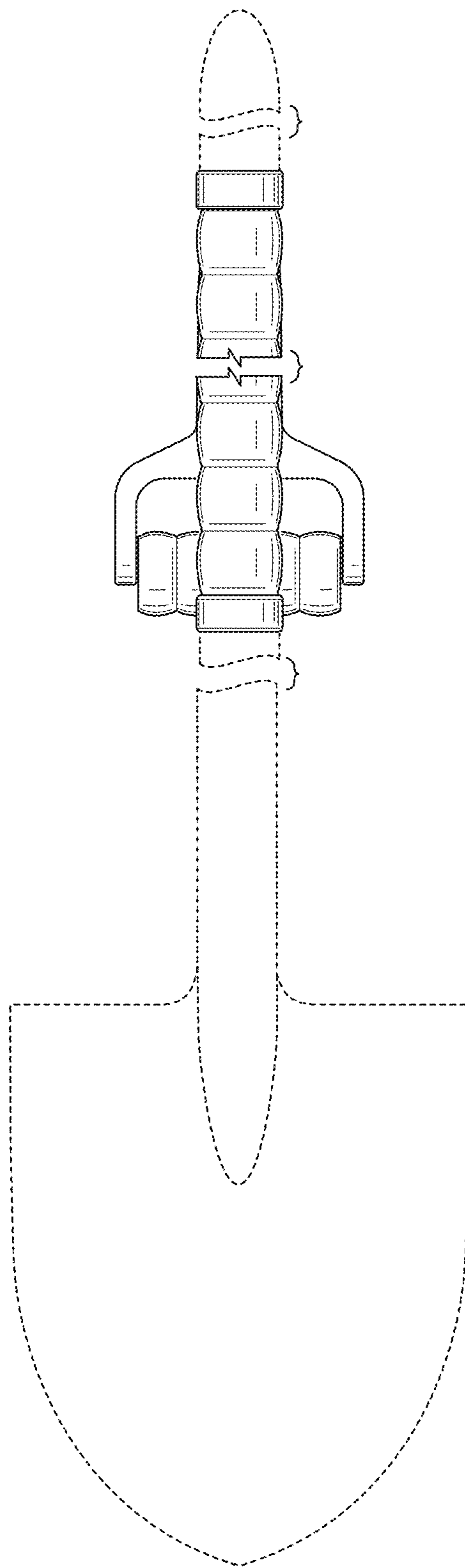


FIG. 3

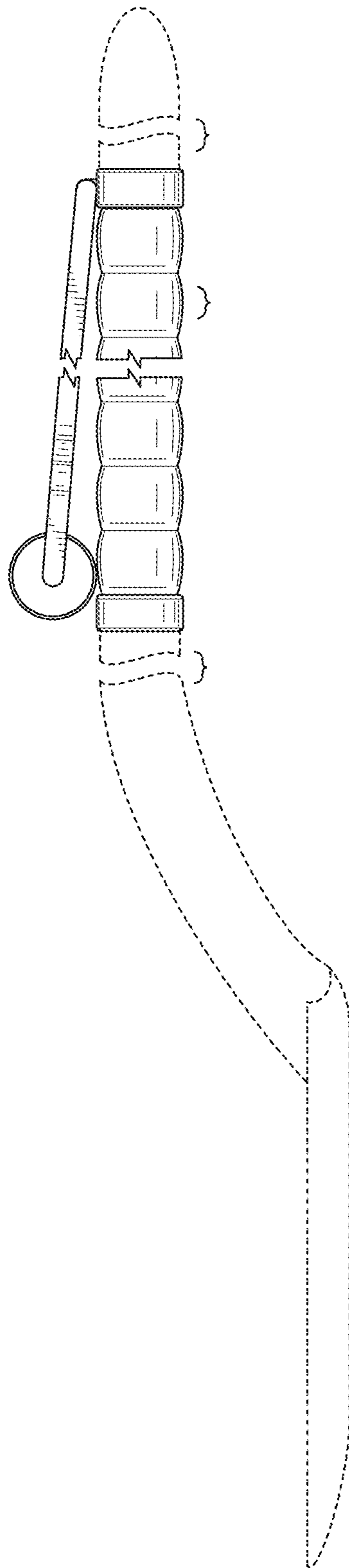


FIG. 4

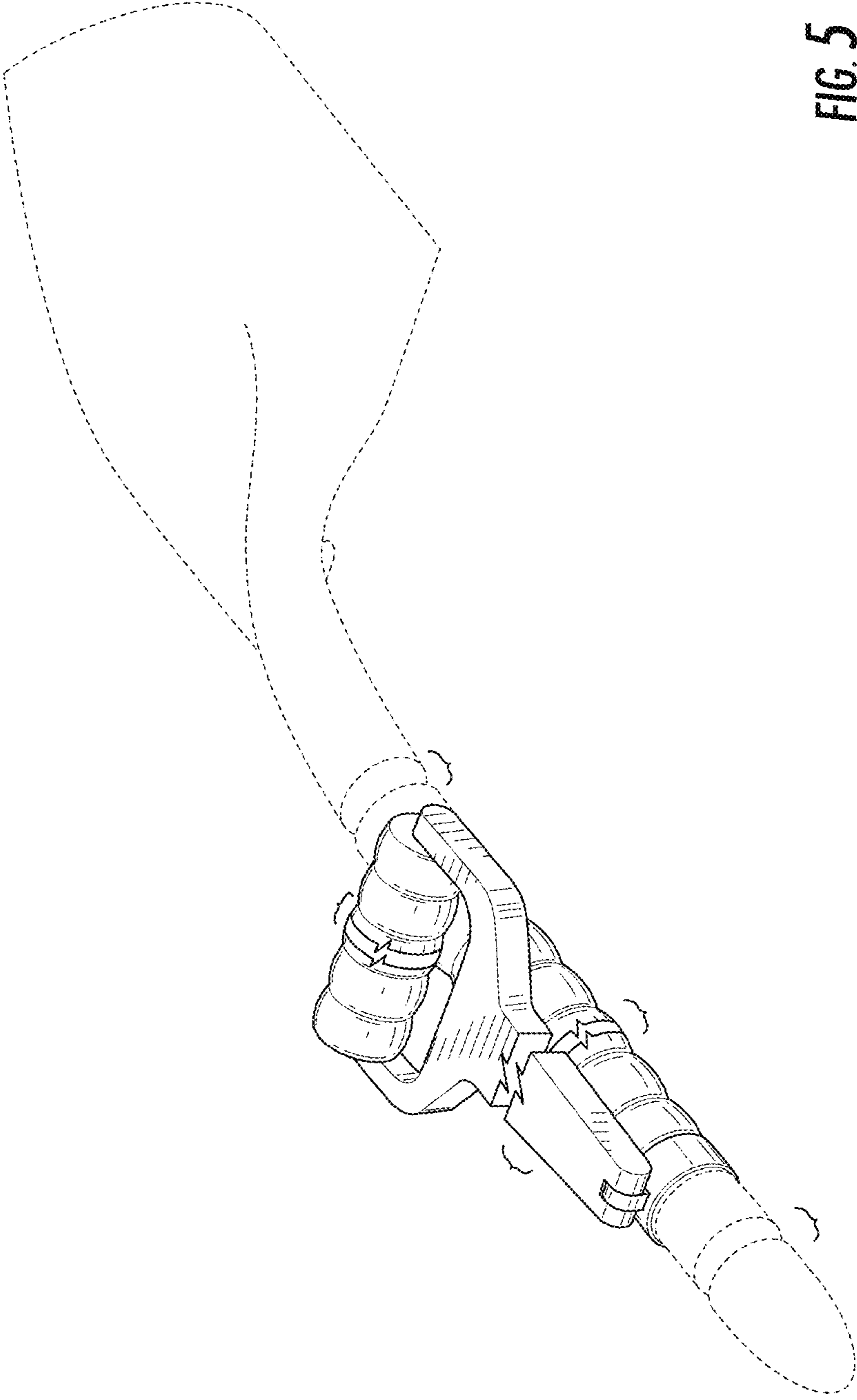


FIG. 5

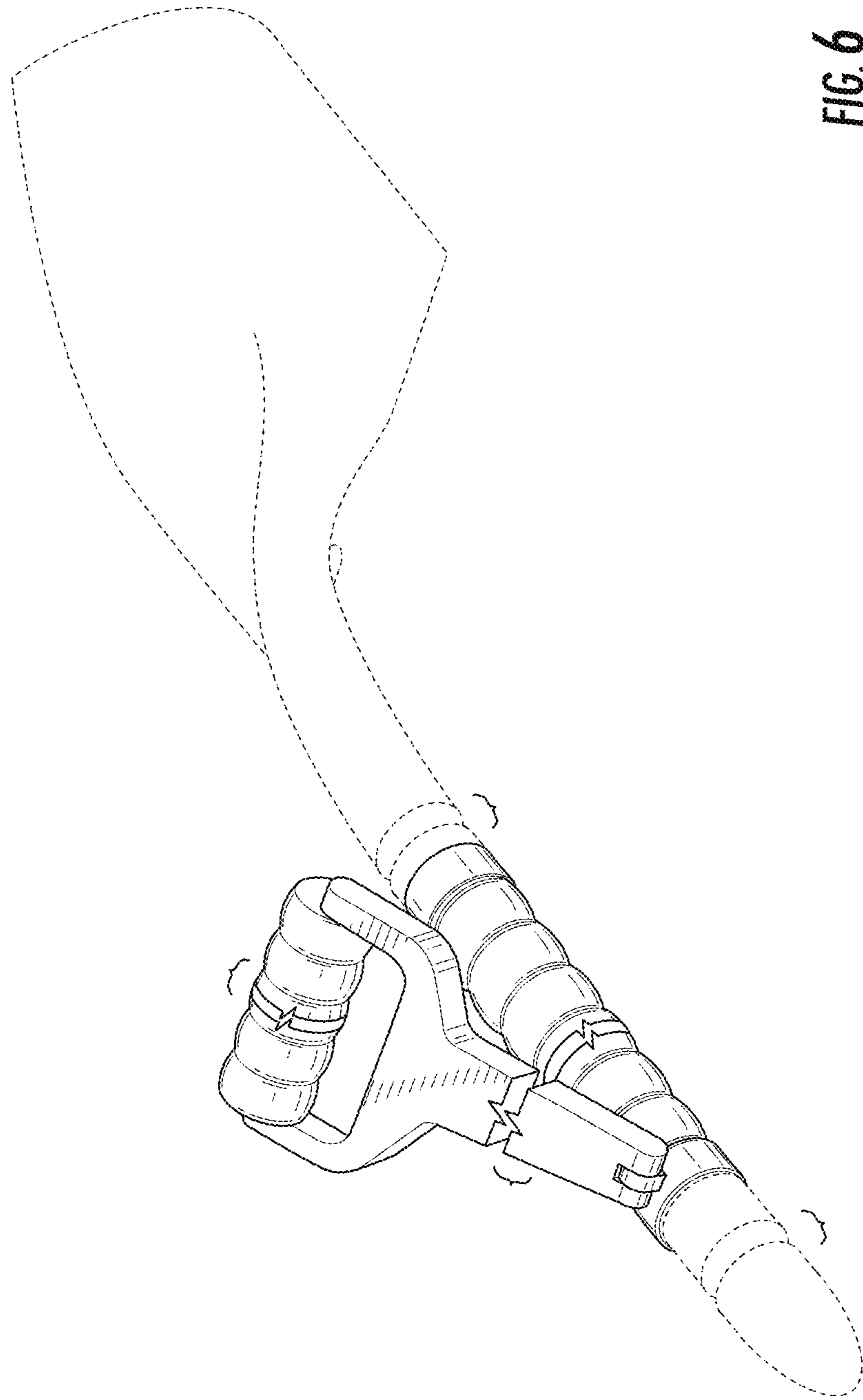


FIG. 6

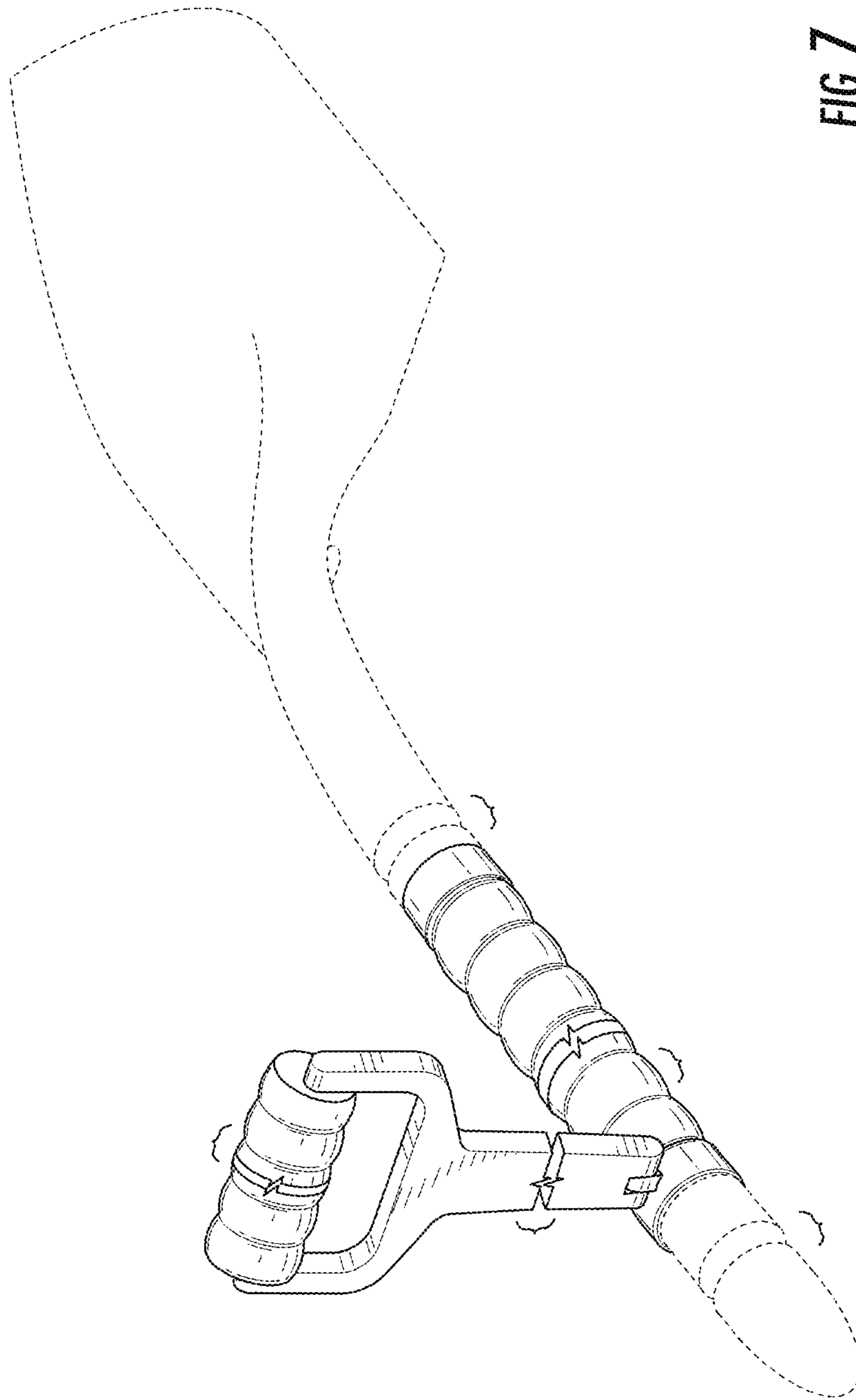


FIG. 7