



US00D782887S

(12) **United States Design Patent** (10) **Patent No.:** **US D782,887 S**  
**Karp et al.** (45) **Date of Patent:** **\*\* Apr. 4, 2017**

(54) **GARDENING TOOL**

(71) Applicants: **Amy Catherine Karp**, Rancho Cucamonga, CA (US); **Steven Alan East**, Rancho Cucamonga, CA (US)

(72) Inventors: **Amy Catherine Karp**, Rancho Cucamonga, CA (US); **Steven Alan East**, Rancho Cucamonga, CA (US)

D274,116 S \* 6/1984 Lidikay ..... 172/375  
 4,483,133 A \* 11/1984 Pasley ..... A01D 11/06  
 172/372  
 4,901,801 A \* 2/1990 Popivalo ..... A01B 1/20  
 172/375  
 D331,353 S \* 12/1992 Valentine ..... D8/13  
 5,477,667 A \* 12/1995 Bryant ..... A01B 1/08  
 172/375  
 D411,788 S \* 7/1999 Watson ..... D8/13  
 D507,944 S \* 8/2005 Crews ..... D8/13  
 2005/0188669 A1 \* 9/2005 Tedesco ..... A01D 11/06  
 56/400.04

(\*\*) Term: **14 Years**

\* cited by examiner

(21) Appl. No.: **29/510,855**

*Primary Examiner* — Sandra Snapp

(22) Filed: **Dec. 3, 2014**

*Assistant Examiner* — Ieisha Price

(51) **LOC (10) Cl.** ..... **08-01**

(74) *Attorney, Agent, or Firm* — Rutan & Tucker LLP;  
Hani Z. Sayed

(52) **U.S. Cl.**  
USPC ..... **D8/6**

(58) **Field of Classification Search**  
USPC ..... D8/1, 10, 11, 13, 6  
CPC ..... A01D 11/06; A01D 11/00; A01D 7/00;  
A01D 7/02; A01D 7/06; A01D 7/10;  
A01B 1/20; A01B 1/00; A01B 1/14  
See application file for complete search history.

(57) **CLAIM**

The ornamental design for a gardening tool, as shown and described.

**DESCRIPTION**

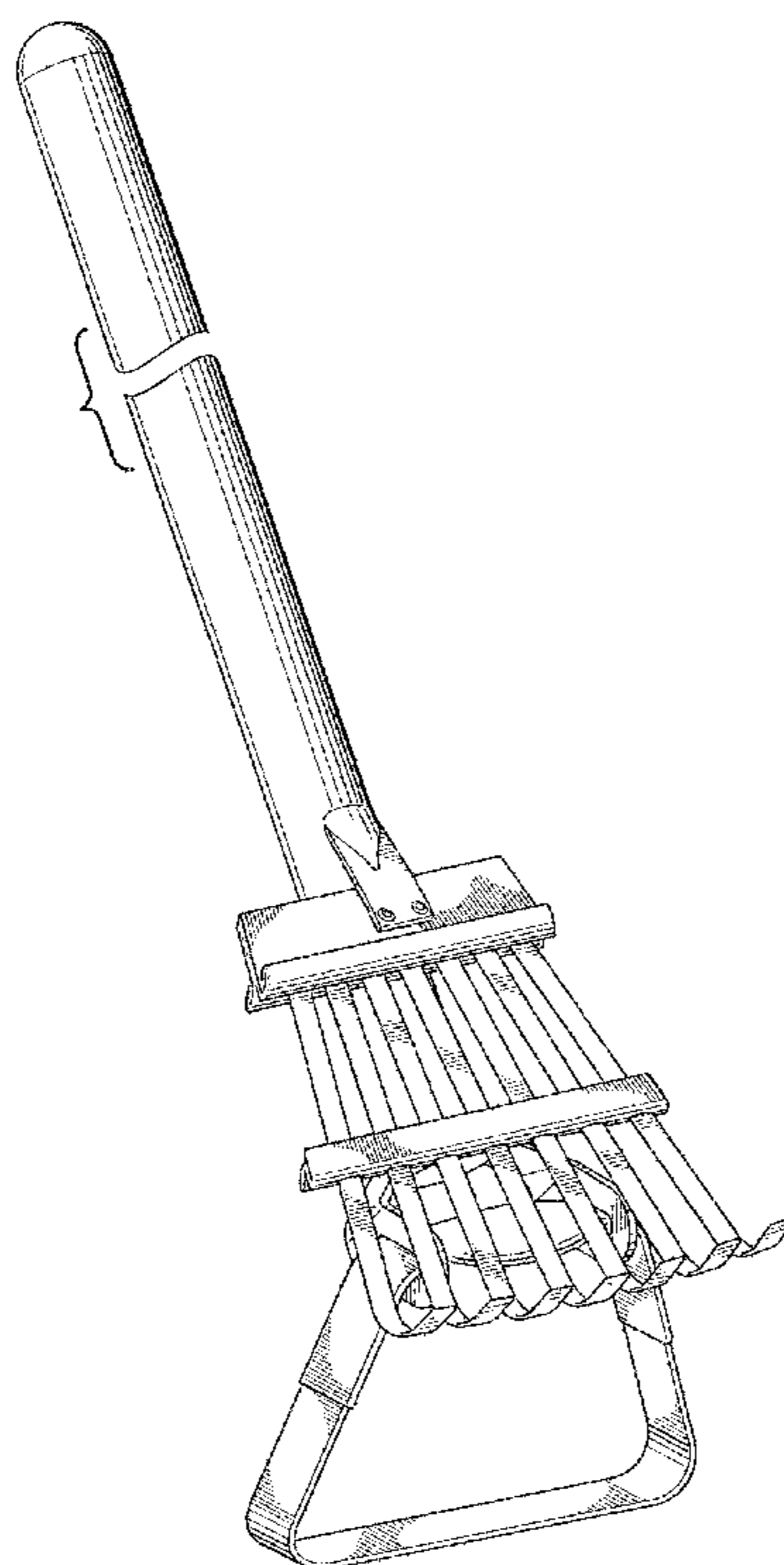
FIG. 1 is a top, front, left side, perspective view of the present invention;  
 FIG. 2 is front elevation view, shown at an enlarged scale;  
 FIG. 3 is a rear elevation view, shown at an enlarged scale;  
 FIG. 4 is a left side elevation view;  
 FIG. 5 is a top plan view;  
 FIG. 6 is a right side elevation view; and,  
 FIG. 7 is a bottom plan view.  
 All portions of the gardening tool between the break lines form no part of the claimed design.

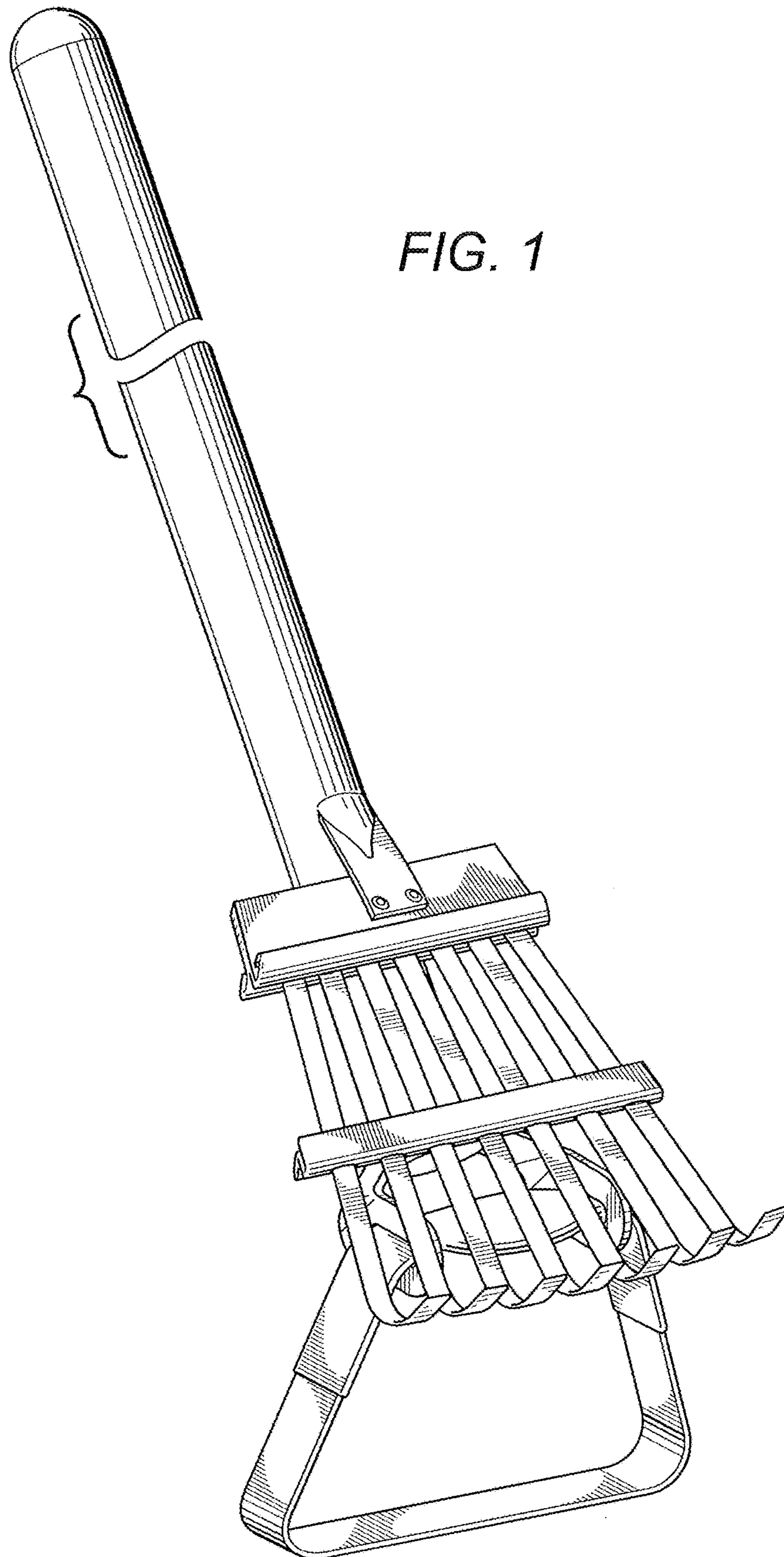
(56) **References Cited**

U.S. PATENT DOCUMENTS

D139,367 S \* 11/1944 Keller ..... 172/375  
 3,095,682 A \* 7/1963 Pasquine ..... A01D 7/10  
 56/400.08  
 4,093,031 A \* 6/1978 Portz ..... A01B 1/225  
 172/372  
 4,212,150 A \* 7/1980 Dmochowski ..... A01D 11/06  
 172/375

**1 Claim, 4 Drawing Sheets**





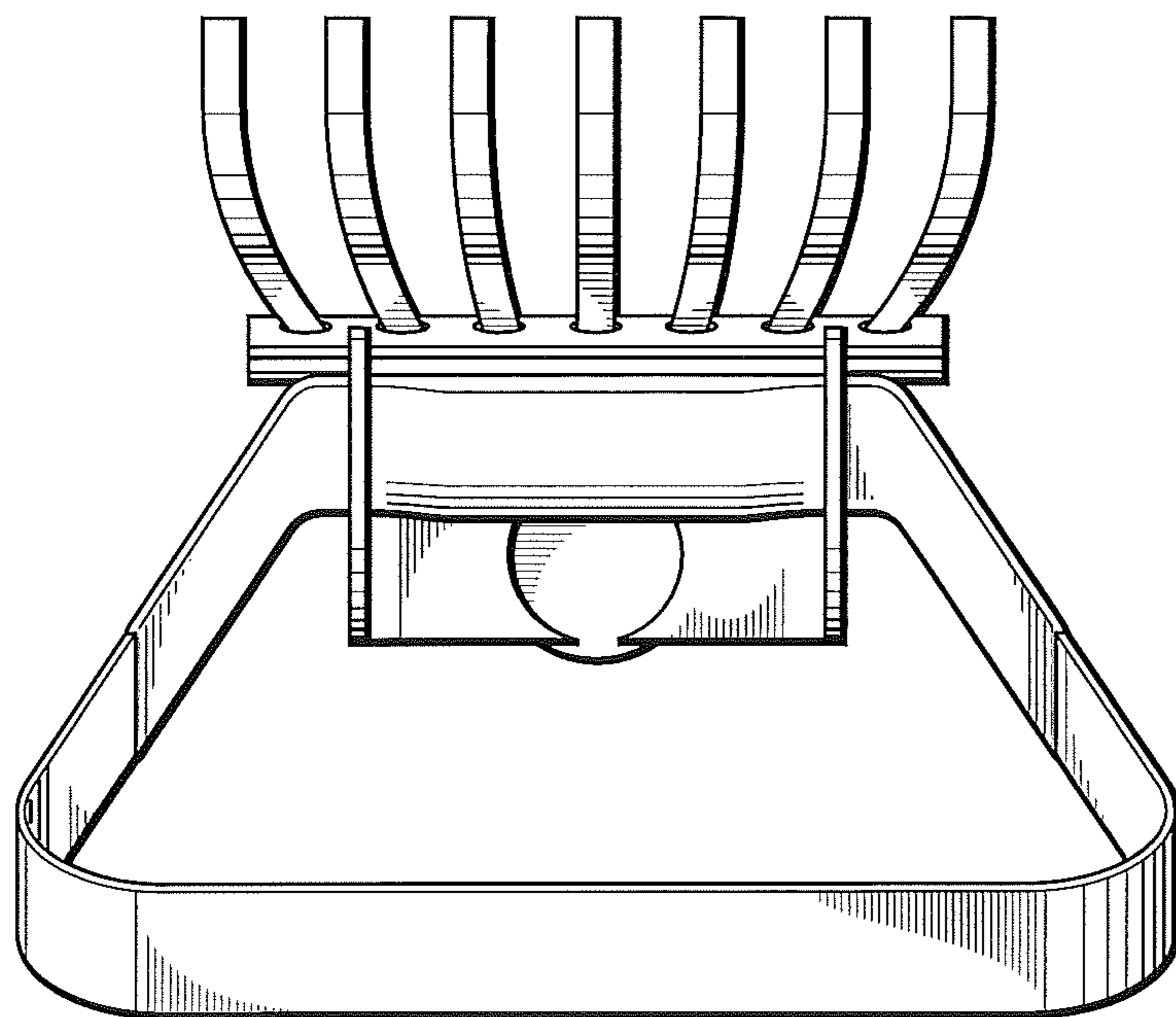


FIG. 2

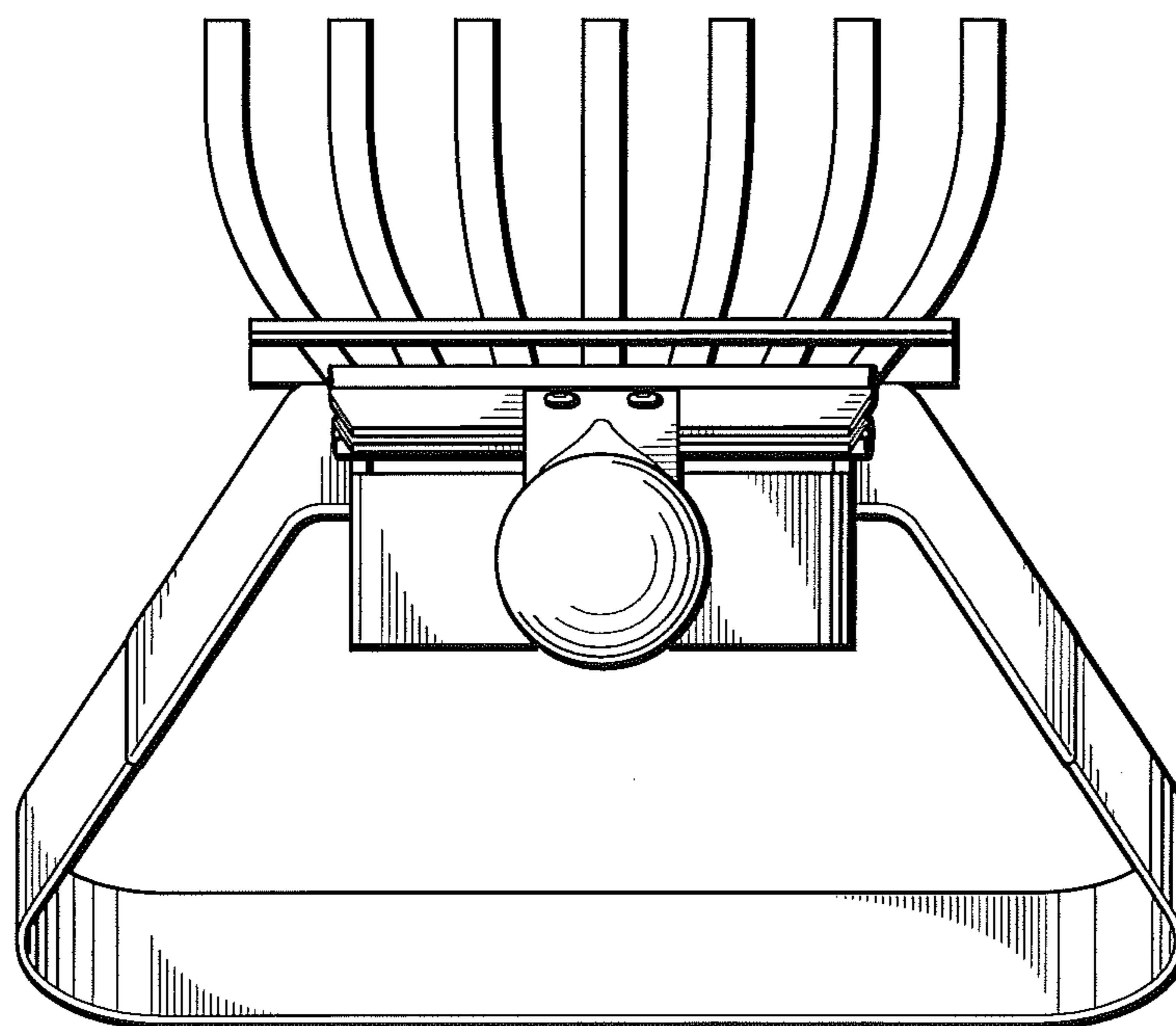


FIG. 3

