



US00D782885S

(12) **United States Design Patent**  
**Harris**

(10) **Patent No.:** **US D782,885 S**

(45) **Date of Patent:** **\*\* Apr. 4, 2017**

(54) **FOOD SLICER**

(71) Applicant: **Columbia Insurance Company,**  
Omaha, NE (US)

(72) Inventor: **E. Mark Harris,** McHenry, IL (US)

(73) Assignee: **COLUMBIA INSURANCE**  
**COMPANY,** Omaha, NE (US)

(\*\*) Term: **15 Years**

(21) Appl. No.: **29/549,150**

(22) Filed: **Dec. 18, 2015**

(51) **LOC (10) Cl.** ..... **07-04**

(52) **U.S. Cl.**  
USPC ..... **D7/673**

(58) **Field of Classification Search**  
USPC ..... D7/672-676, 693, 359, 412, 376-386;  
30/113.1-114  
CPC . B26D 3/24; B26D 3/245; B26D 3/26; B26D  
1/553; B26D 1/30; B26D 7/1818; B26D  
3/06  
See application file for complete search history.

(56) **References Cited**

**U.S. PATENT DOCUMENTS**

- 2,114,277 A \* 4/1938 Bloomfield ..... B26D 1/553  
D7/673
- 2,443,873 A \* 6/1948 Simpson ..... A47J 17/00  
30/114
- 2,502,157 A 3/1950 Klejna
- 3,145,743 A 8/1964 Cronheim
- D297,798 S 9/1988 Leung
- D305,594 S \* 1/1990 Saliba ..... D7/673
- 5,035,056 A \* 7/1991 Sheffield ..... B26D 3/26  
30/114

- D400,065 S 10/1998 Fohrman
  - D413,771 S \* 9/1999 So ..... D7/673
  - D473,109 S \* 4/2003 Birchansky ..... D7/673
- (Continued)

**FOREIGN PATENT DOCUMENTS**

WO WO2008097178 8/2008

*Primary Examiner* — Susan Bennett Hattan

*Assistant Examiner* — Brett Miller

(74) *Attorney, Agent, or Firm* — Thompson Coburn LLP;  
Matthew Himich

(57) **CLAIM**

The ornamental design for a food slicer, as shown and described.

**DESCRIPTION**

FIG. 1 is a top perspective view of the food slicer showing my new design, and depicting the two components thereof in an assembled position;

FIG. 2 is a bottom perspective view of the assembled food slicer;

FIG. 3 is a front elevational view of the assembled food slicer, with the rear elevational view being identical thereto; FIG. 4 is a right side elevational view of the assembled food slicer, with the left side elevational view being identical thereto;

FIG. 5 is a top plan view of the assembled food slicer;

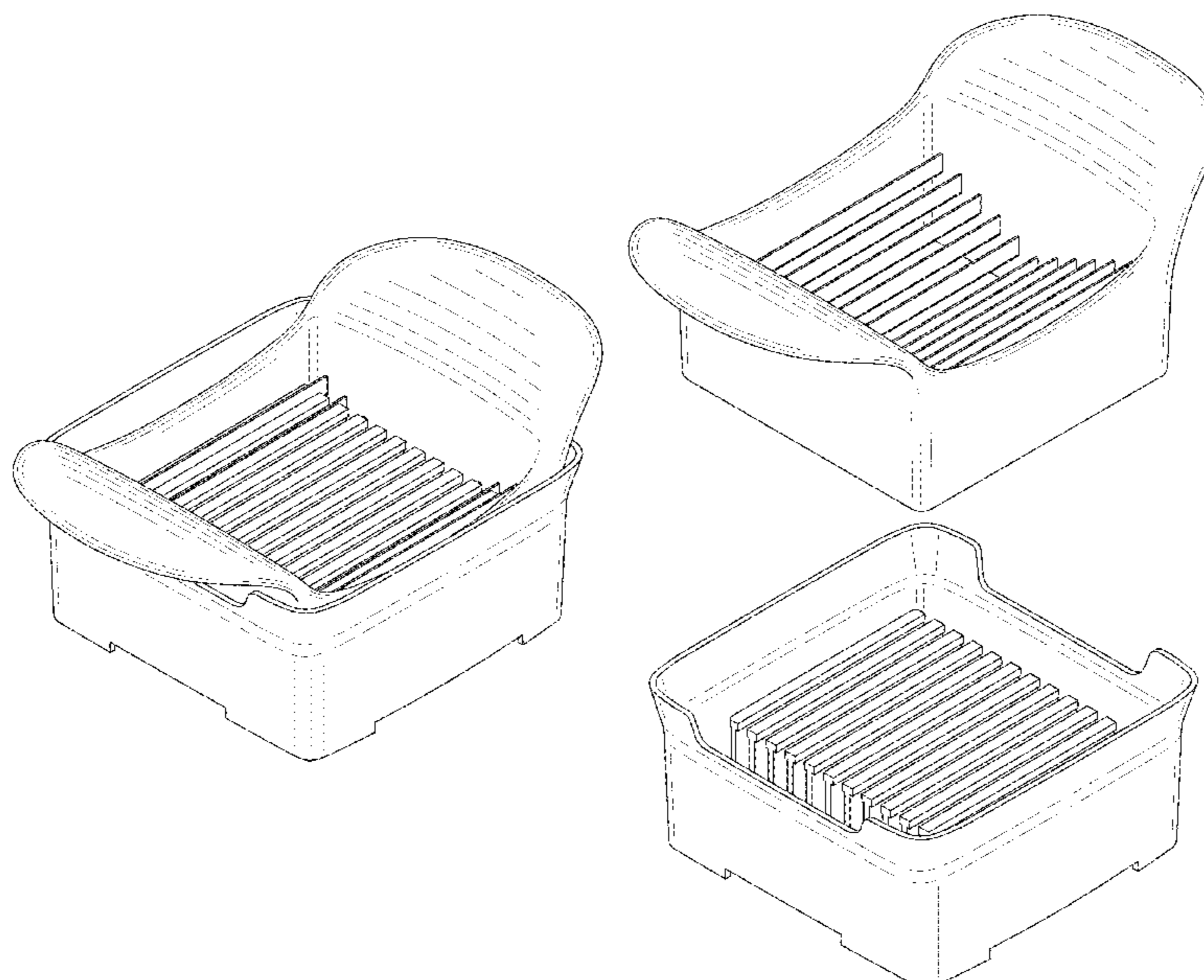
FIG. 6 is a bottom plan view of the assembled food slicer;

FIG. 7 is a cross-sectional view of the assembled food slicer along the lines 7-7 in FIG. 5; and,

FIG. 8 is a perspective view of the food slicer similar to FIG. 1, and depicting the two components thereof separated from one another.

The broken lines in FIGS. 1-8 are for the purpose of illustrating environment, and form no part of the claimed design.

**1 Claim, 8 Drawing Sheets**



(56)

**References Cited**

U.S. PATENT DOCUMENTS

D501,630 S 2/2005 Lo  
6,959,636 B2 11/2005 Graziano  
D547,620 S \* 7/2007 Walzak ..... D7/673  
D551,917 S \* 10/2007 Campbell ..... D7/673  
7,547,006 B1 \* 6/2009 Lockwood ..... A47J 17/10  
30/114  
8,438,737 B2 \* 5/2013 Lo ..... B26B 3/04  
30/114  
D690,170 S \* 9/2013 Harris ..... D7/673  
D696,071 S \* 12/2013 Hammad ..... D7/376  
8,695,220 B2 \* 4/2014 Rhoads ..... A47J 43/20  
30/114  
8,739,669 B2 6/2014 Engdahl et al.  
2004/0025651 A1 \* 2/2004 Bachman ..... B26D 1/553  
30/114  
2010/0011973 A1 \* 1/2010 Kovacs ..... B26D 3/26  
99/537  
2013/0025130 A1 \* 1/2013 Bagley ..... B26D 1/553  
30/114  
2016/0106140 A1 \* 4/2016 O'Halloran ..... B26D 3/26  
83/13

\* cited by examiner

FIG. 1

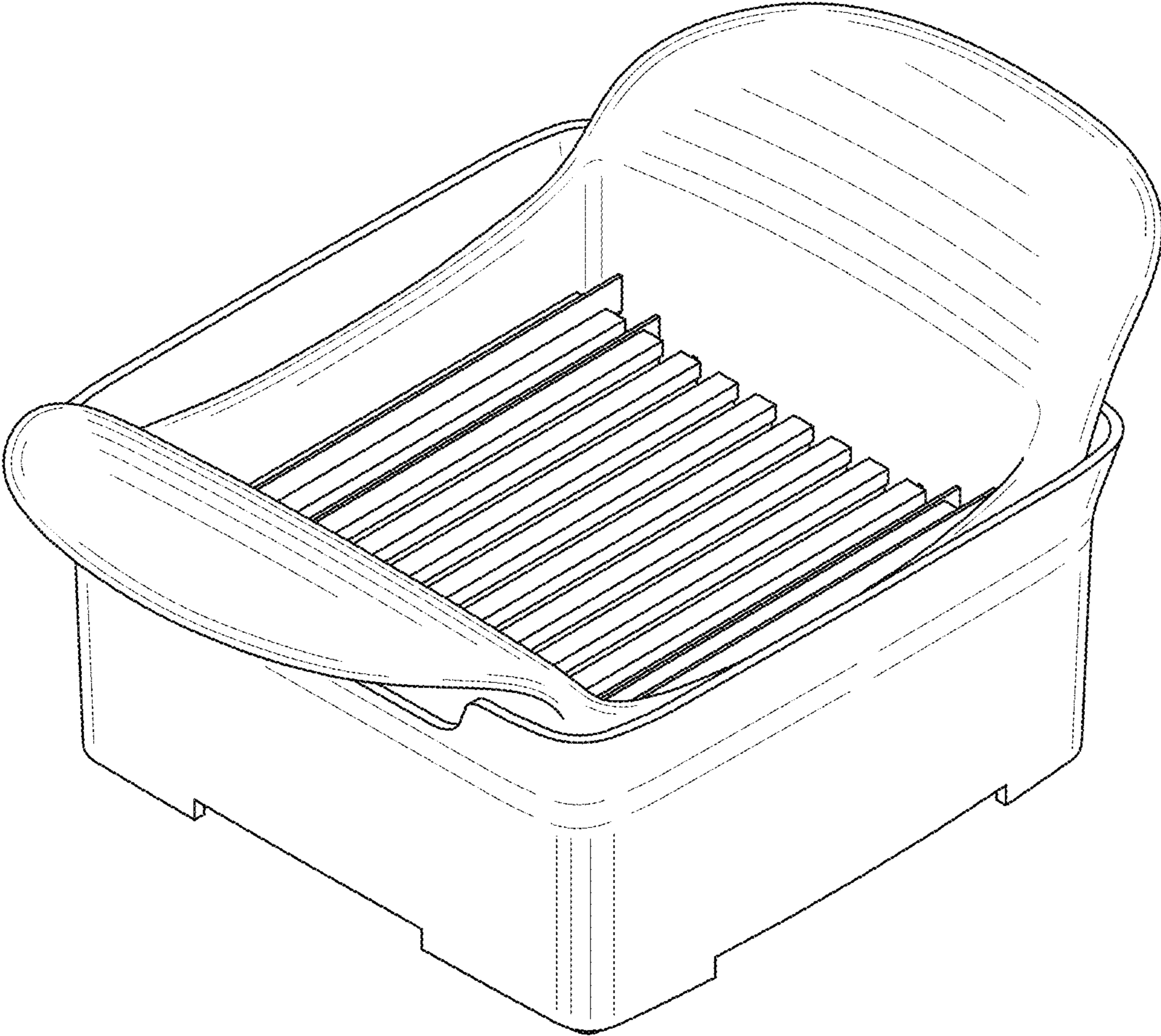




FIG. 2

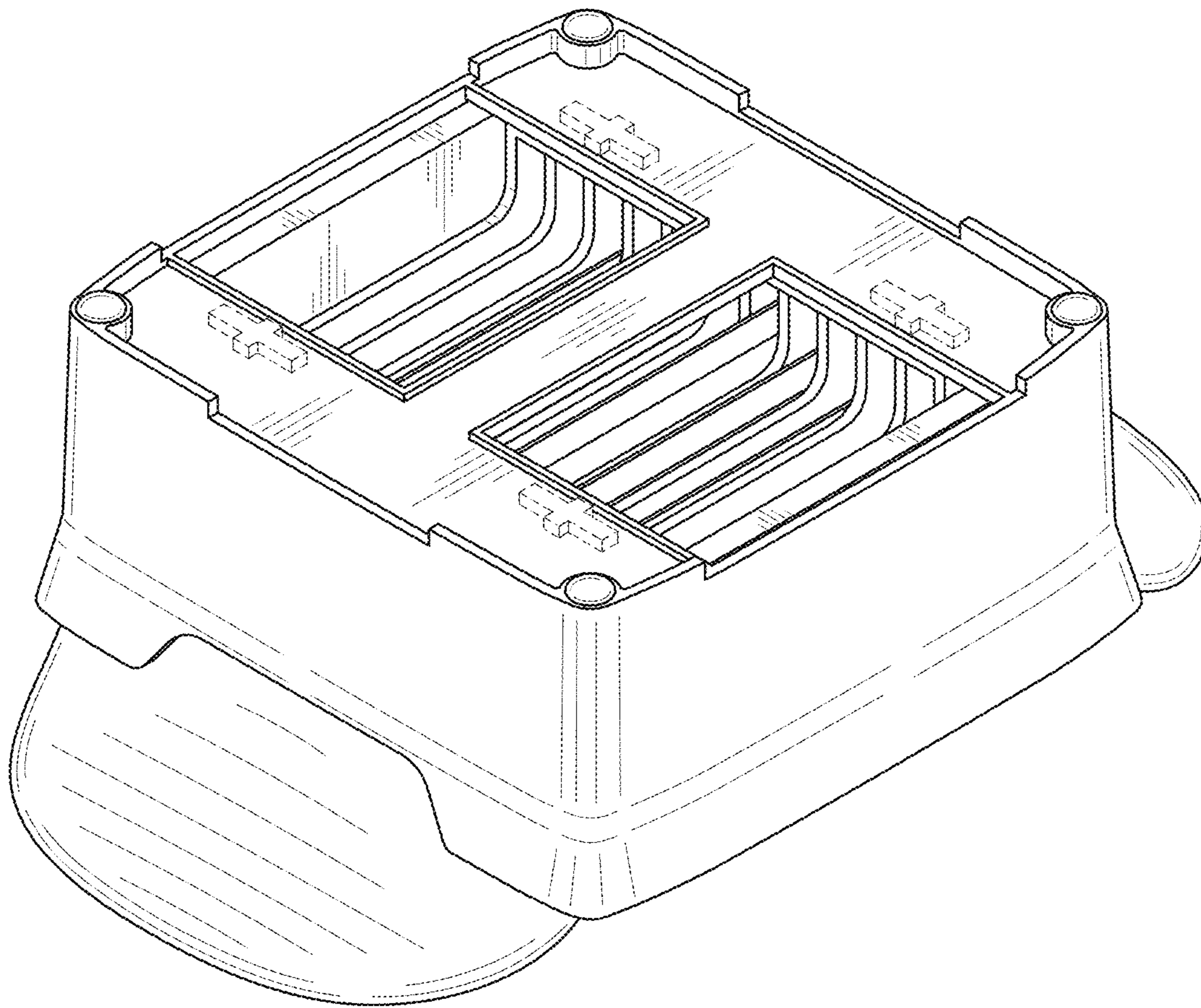


FIG. 3

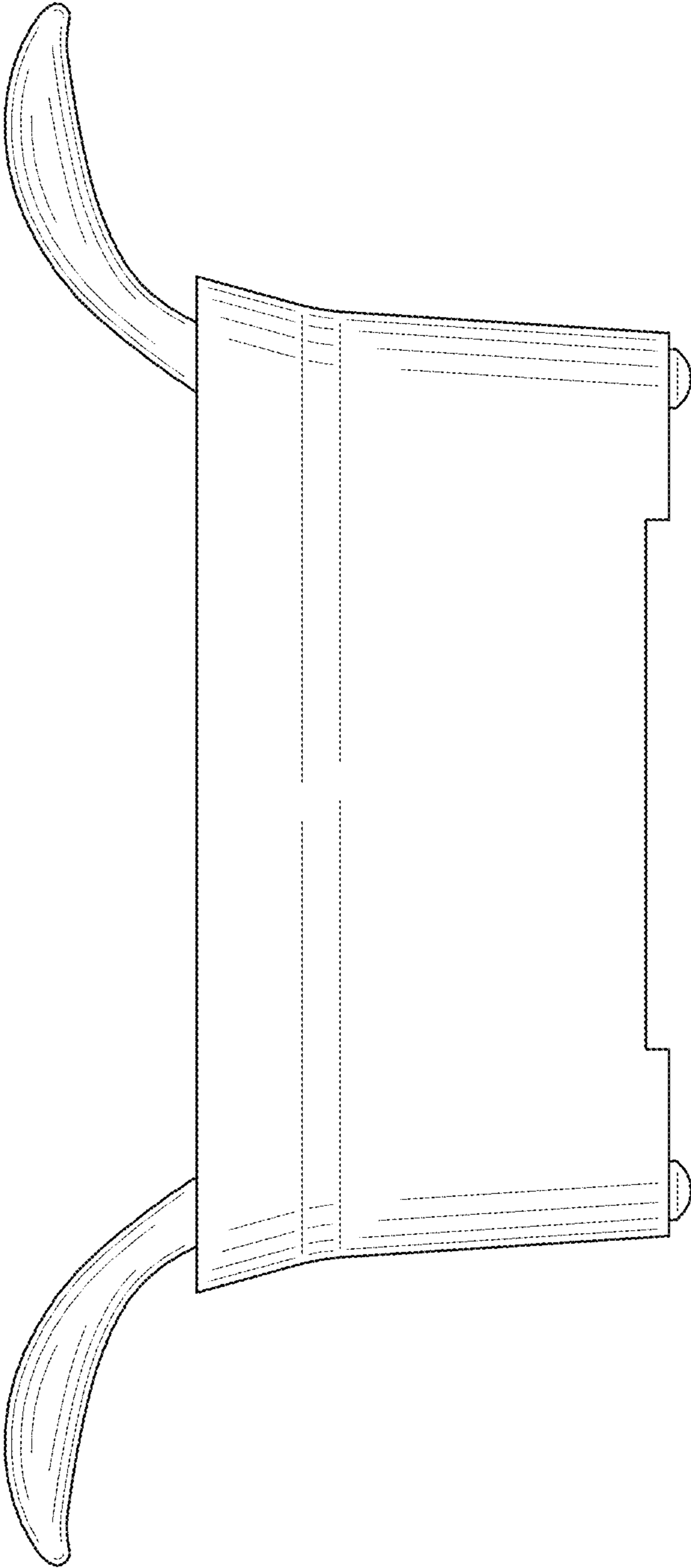


FIG. 4

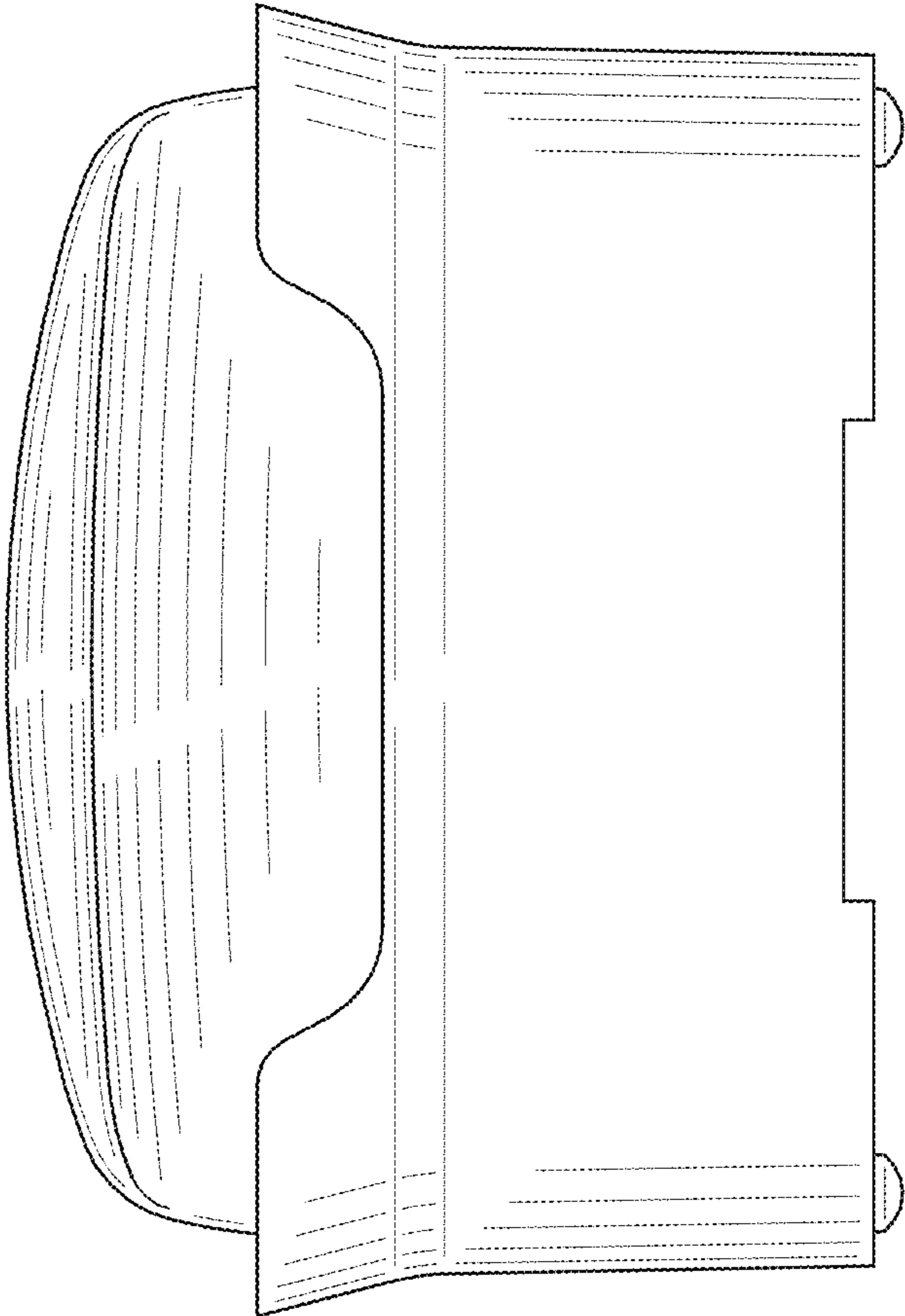


FIG. 5

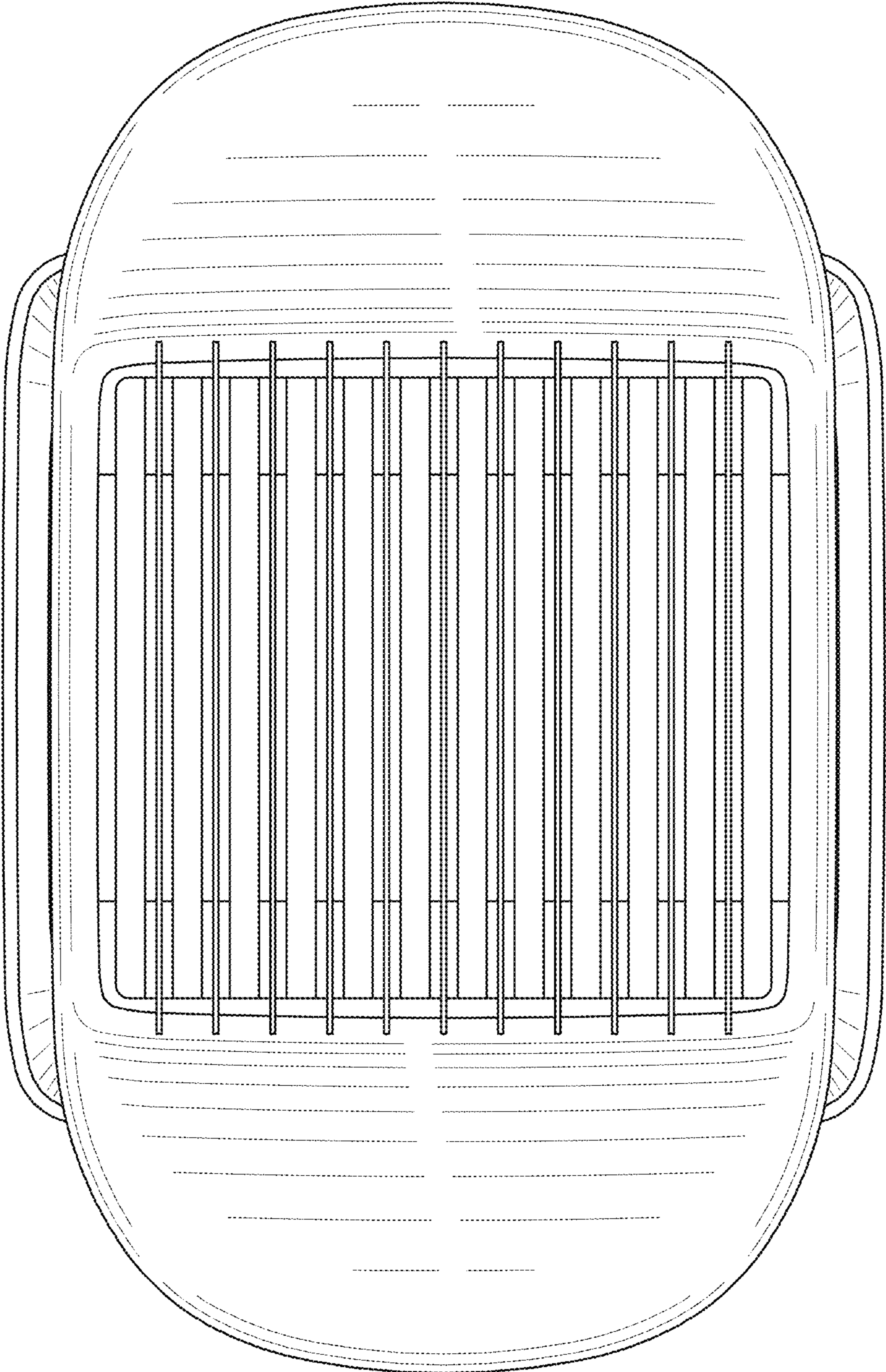




FIG. 6

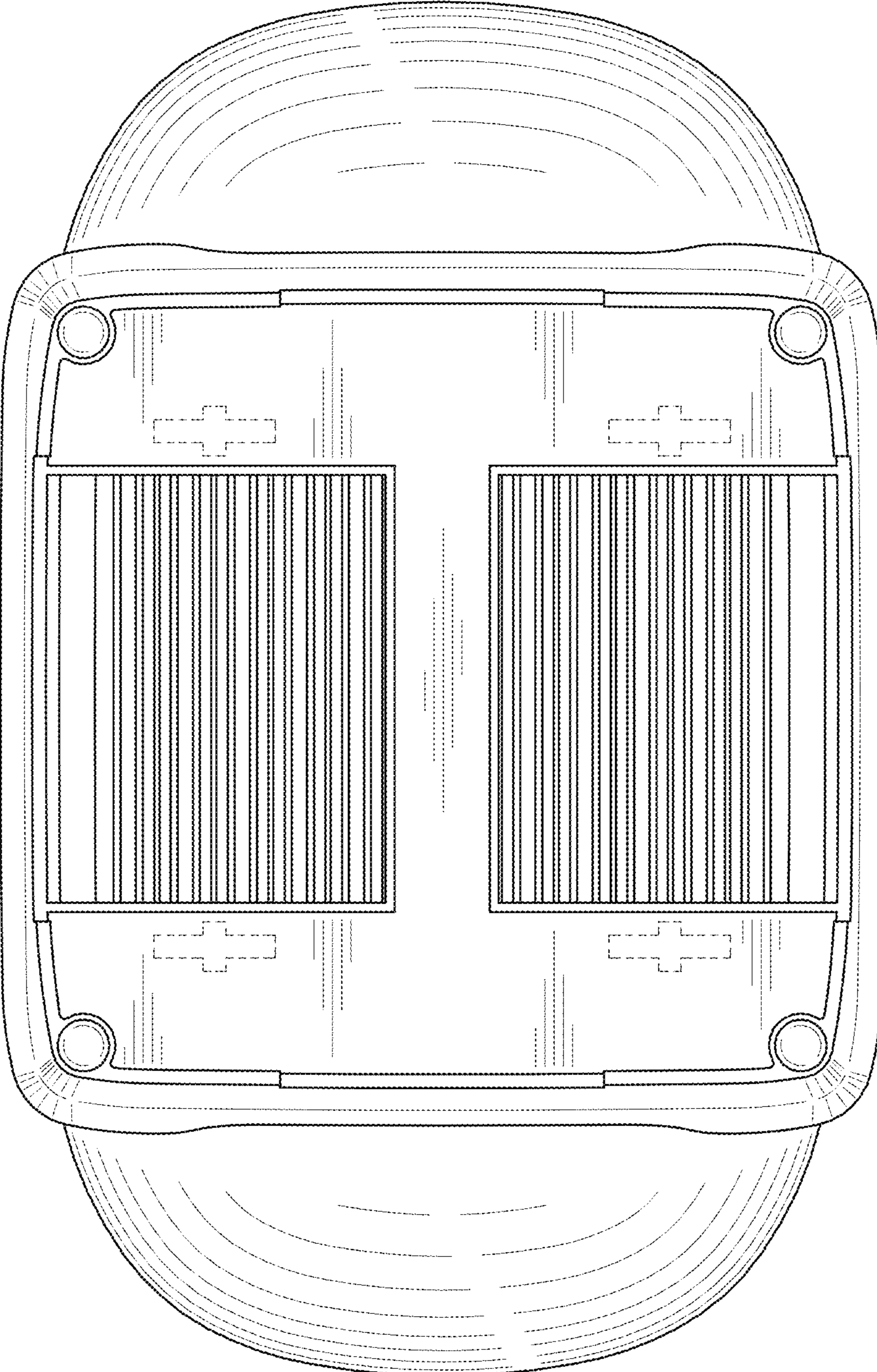




FIG. 7

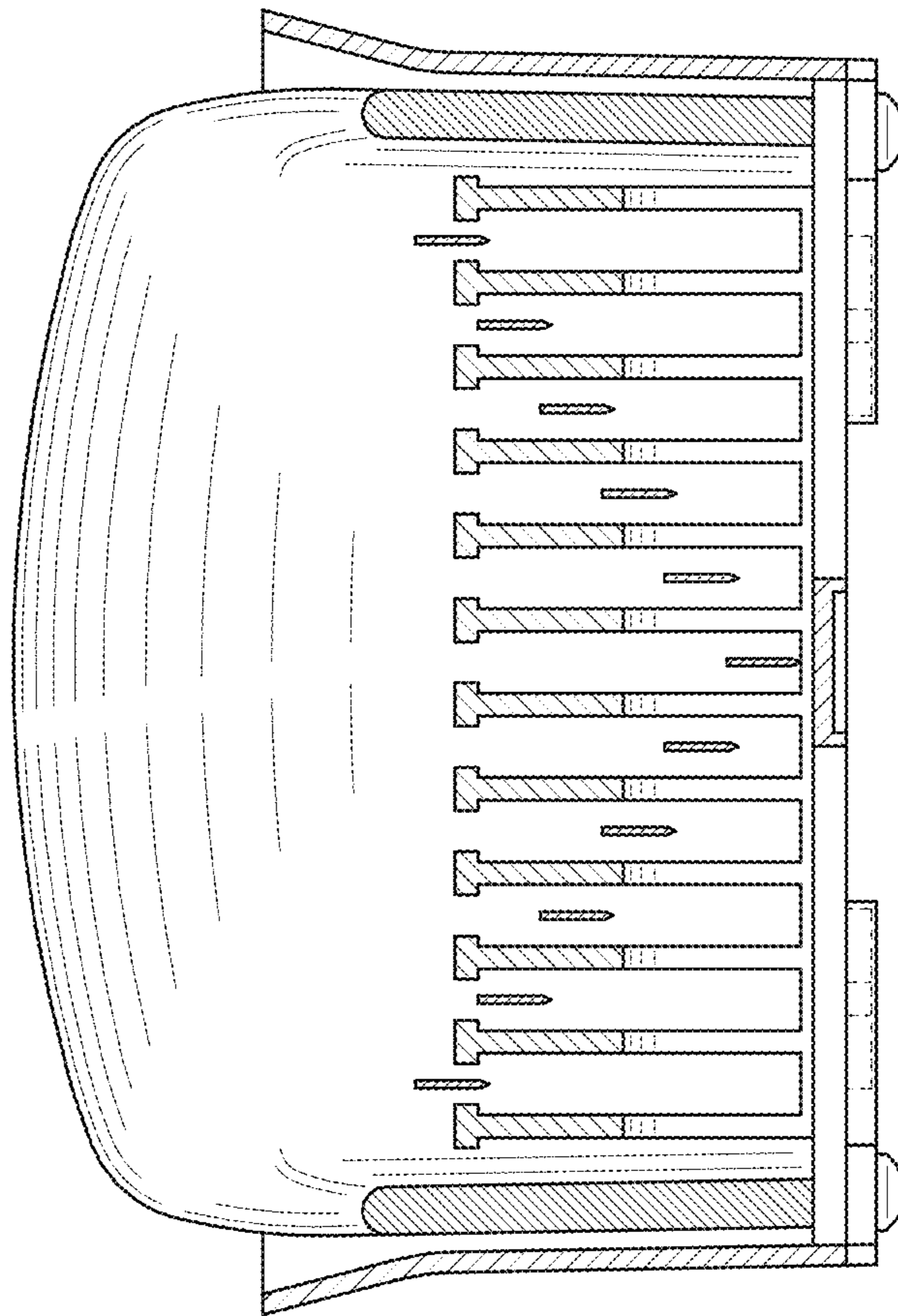


FIG. 8

