



US00D782883S

(12) **United States Design Patent**
Delgado Carmona

(10) **Patent No.:** **US D782,883 S**

(45) **Date of Patent:** **** Apr. 4, 2017**

(54) **SNACK CUP**

(71) Applicant: **Dart Industries Inc.**, Orlando, FL (US)

(72) Inventor: **Sara L. Delgado Carmona**, Orlando, FL (US)

(73) Assignee: **Dart Industries Inc.**, Orlando, FL (US)

(**) Term: **15 Years**

(21) Appl. No.: **29/547,233**

(22) Filed: **Dec. 2, 2015**

(51) **LOC (10) Cl.** **07-01**

(52) **U.S. Cl.**
USPC **D7/628**

(58) **Field of Classification Search**

USPC D7/628, 601, 602, 604, 605, 606, 608,
D7/612, 613, 614, 615, 705, 706, 707,
D7/708, 619.1, 619.2, 622, 623,
D7/624.1-624.3, 625, 709, 630, 640, 639,
D7/500, 505, 506, 507, 509, 510, 511,
D7/514, 515, 516, 517, 519, 533, 539,
D7/540, 542, 543, 544, 545; D9/600,
D9/651, 601, 605, 607, 500, 516, 521;
D3/270, 271; 206/457
CPC .. F25D 3/08; B65D 25/30; B65D 7/24; B65D
81/3876; B65D 81/3879; B65D 23/104;
B65D 81/38; B65D 81/3886; B65D
81/3883; B65D 81/3881; A45C 11/20;
A47G 19/2288; A47G 23/0216; A45F
2200/0583; A61F 7/10; B31D 5/0086

See application file for complete search history.

(56) **References Cited**

U.S. PATENT DOCUMENTS

D86,650 S * 3/1932 Webster D9/607
D111,793 S * 10/1938 Myers D9/607

D111,989 S * 11/1938 Neumann D9/607
D115,652 S * 7/1939 Hendrickson D9/607
D126,737 S * 4/1941 Vivaudou et al. D9/607
D126,807 S * 4/1941 Vivaudou D9/607
D139,094 S * 10/1944 Ganz D7/613
D139,098 S * 10/1944 Ganz D7/613
D178,333 S * 7/1956 Barradas D7/511
D237,839 S * 11/1975 Apilado D21/654
D249,929 S * 10/1978 Russert D9/607
D277,067 S * 1/1985 Ostergard D7/302
D306,692 S * 3/1990 Ferrero D21/600

(Continued)

OTHER PUBLICATIONS

U.S. Appl. No. 29/525,364, filed Apr. 29, 2015, Sara L. Delgado Carmona.

Primary Examiner — Ian Simmons

Assistant Examiner — Shannon Morgan

(74) *Attorney, Agent, or Firm* — Taylor J. Ross

(57) **CLAIM**

The ornamental design for a snack cup, as shown and described.

DESCRIPTION

FIG. 1 is a top, front and left side perspective view of a snack cup showing my new design;

FIG. 2 is a bottom, front and left side perspective view thereof;

FIG. 3 is a top plan view thereof;

FIG. 4 is a bottom plan view thereof;

FIG. 5 is a front elevation view thereof;

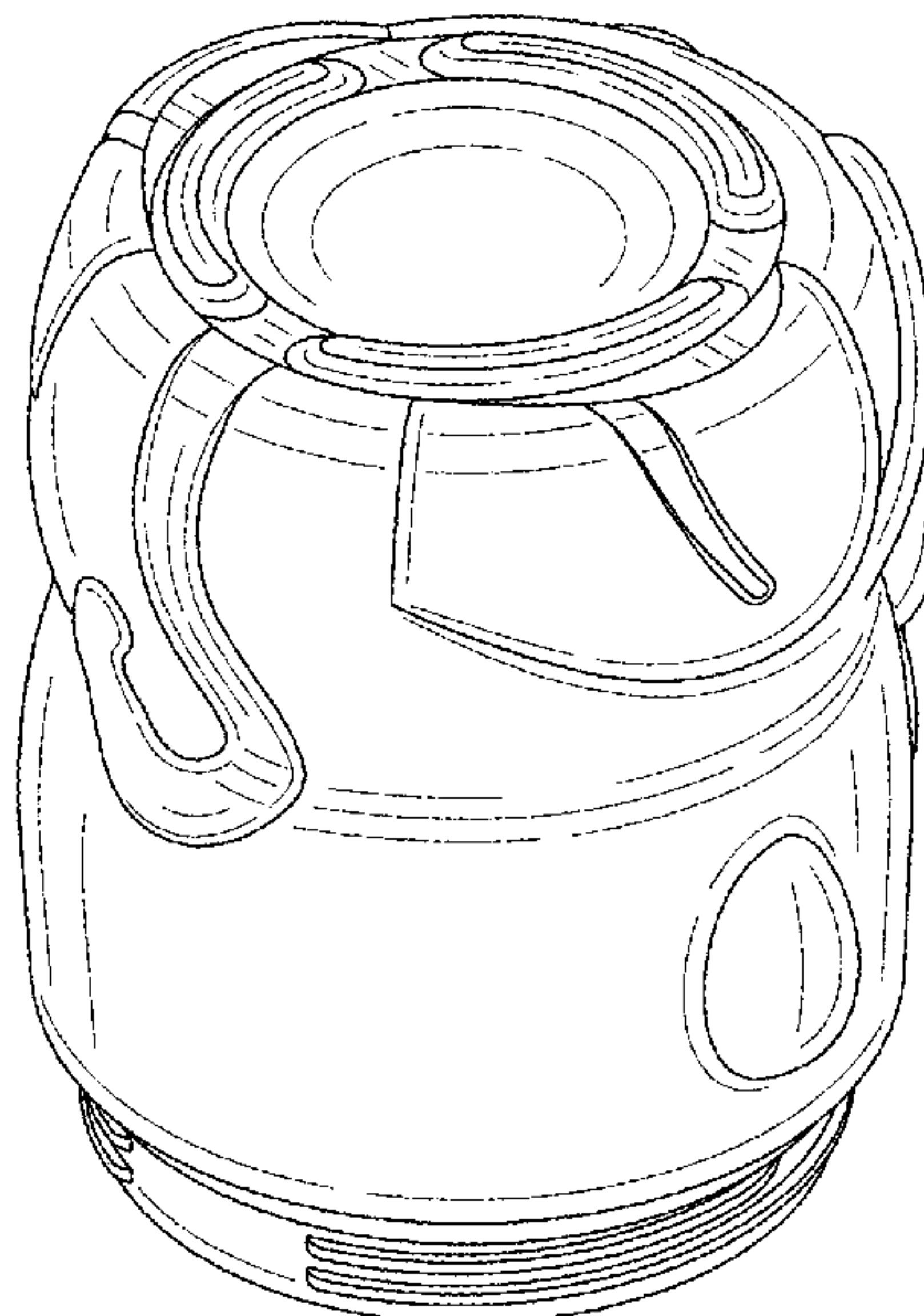
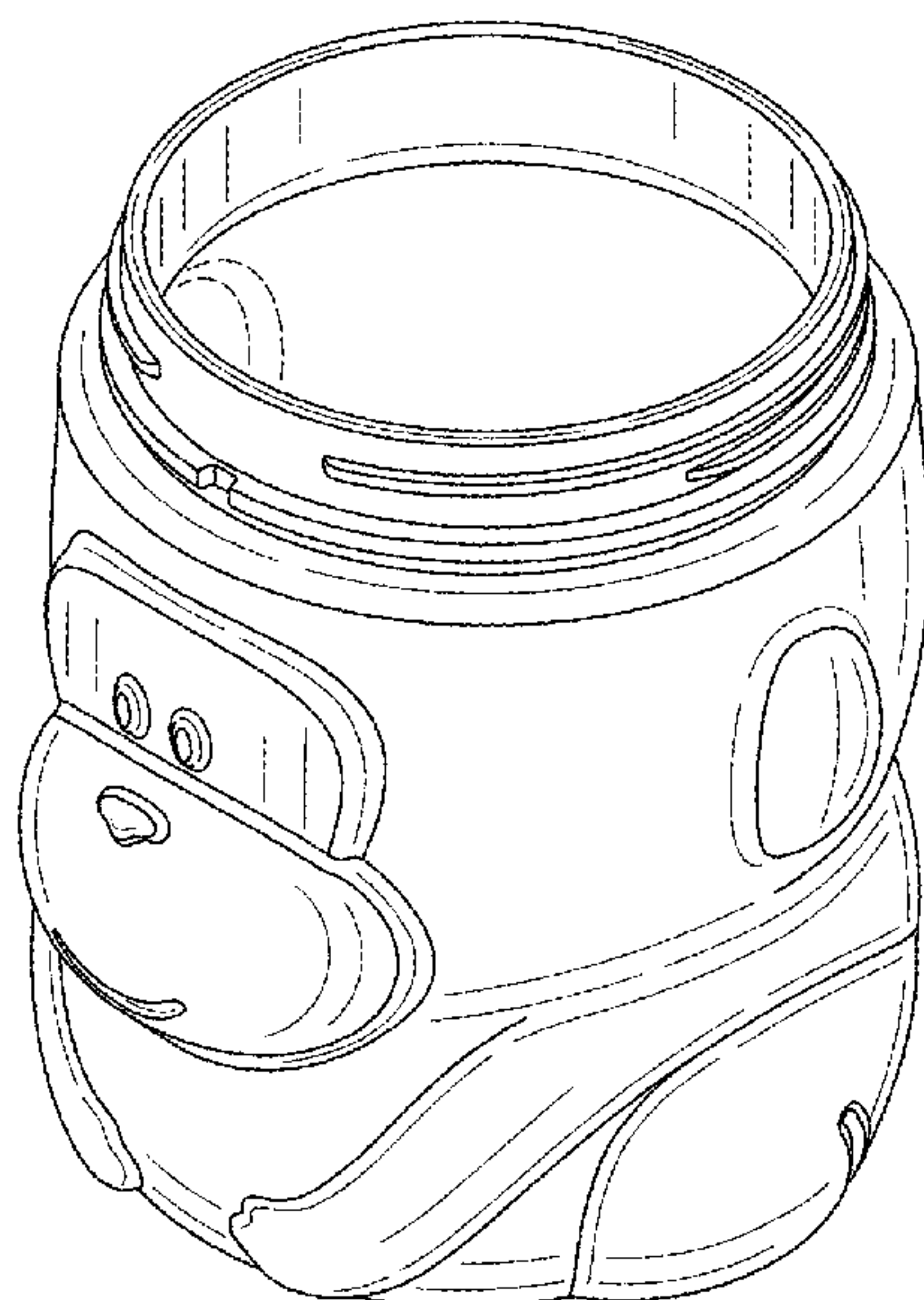
FIG. 6 is a rear elevation view thereof;

FIG. 7 is a left side elevation view thereof; and,

FIG. 8 is a right side elevation view thereof.

The broken lines shown in FIGS. 1 and 3 represent portions of the snack cup that form no part of the claimed design.

1 Claim, 4 Drawing Sheets



(56)

References Cited

U.S. PATENT DOCUMENTS

D306,823 S * 3/1990 Ferrero D21/596
 D312,557 S * 12/1990 Maddocks D19/113
 D321,825 S * 11/1991 Schlesselman D9/605
 D333,976 S * 3/1993 Gozzini D7/613
 D342,018 S * 12/1993 Gozzini D7/613
 D342,020 S * 12/1993 Orosz D9/607
 D351,530 S * 10/1994 Petrsek D7/515
 5,379,911 A * 1/1995 Goto A45C 3/00
 206/457
 D358,298 S * 5/1995 Brown D7/510
 D358,299 S * 5/1995 Brown D7/510
 D358,300 S * 5/1995 Brown D7/510
 D358,301 S * 5/1995 Brown D7/510
 D361,787 S * 8/1995 Melzian D19/82
 5,614,275 A * 3/1997 Chan A47G 19/2227
 220/574
 5,632,377 A * 5/1997 Ferrero A23G 3/50
 206/457
 D379,739 S * 6/1997 Song D7/533
 D416,792 S * 11/1999 Indelicato D9/607

6,073,798 A * 6/2000 Rosenhain A47G 19/2227
 206/457
 D436,525 S * 1/2001 Lin D9/601
 D460,914 S * 7/2002 Yourist D9/607
 D477,749 S * 7/2003 Anderson D7/515
 D503,246 S * 3/2005 Shih D21/600
 D504,052 S * 4/2005 Wang D7/628
 D528,430 S * 9/2006 Considine D7/628
 D620,764 S * 8/2010 Lessells D7/605
 D671,419 S * 11/2012 Bourguignon D9/607
 D690,995 S * 10/2013 Franco D7/515
 D697,421 S * 1/2014 Glaister D9/601
 D708,958 S * 7/2014 Serras D9/601
 D712,272 S * 9/2014 Veletakos D9/601
 D713,260 S * 9/2014 Delgado Carmona D9/601
 D716,104 S * 10/2014 Lessells D7/606
 D722,805 S * 2/2015 Banos D24/198
 D739,254 S * 9/2015 Delgado Carmona D9/605
 D766,094 S * 9/2016 Delgado Carmona D9/607
 D770,860 S * 11/2016 Wampold D7/608
 2003/0201201 A1 * 10/2003 Cheng B65D 81/365
 206/457

* cited by examiner

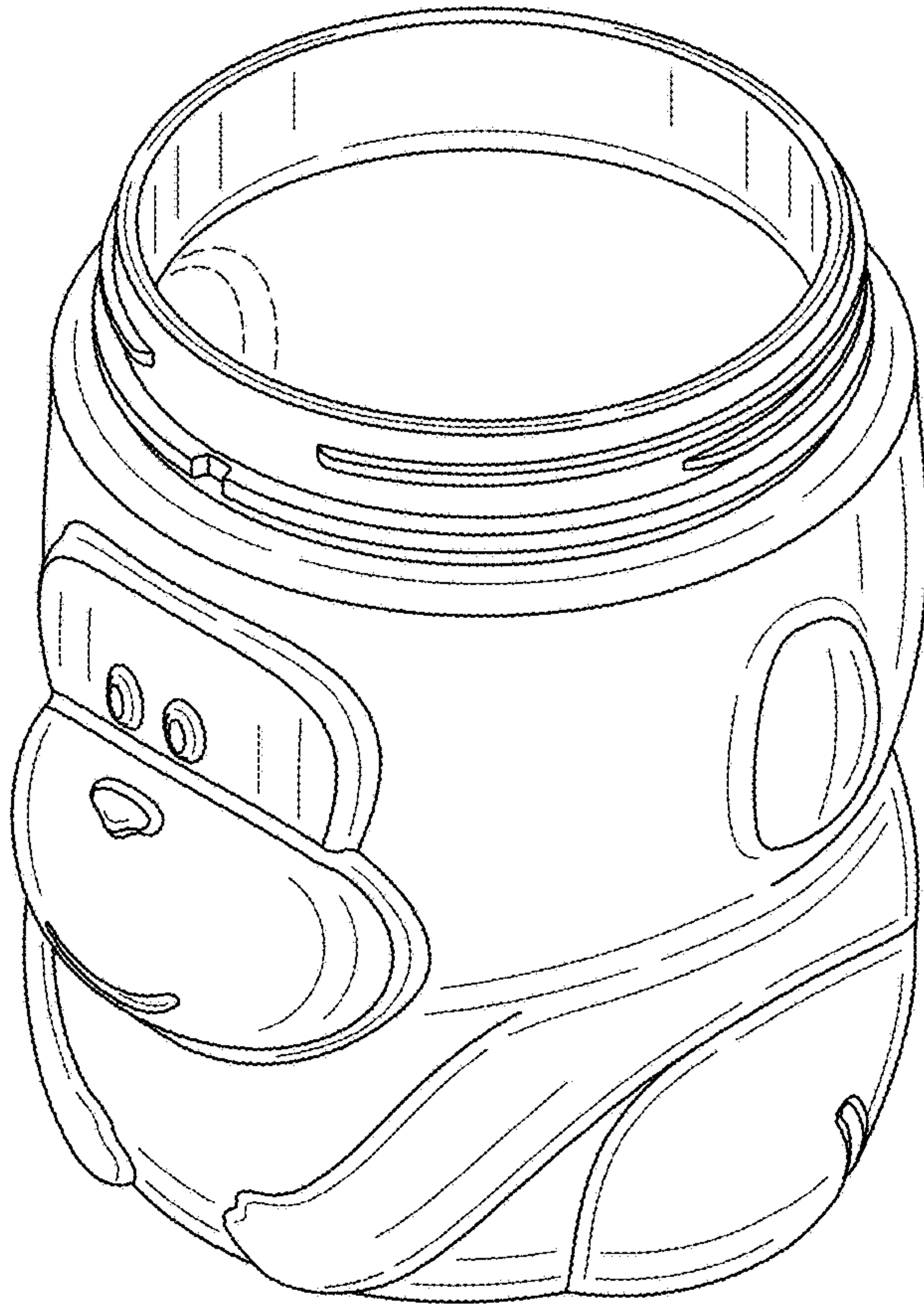


FIG. 1

FIG. 2

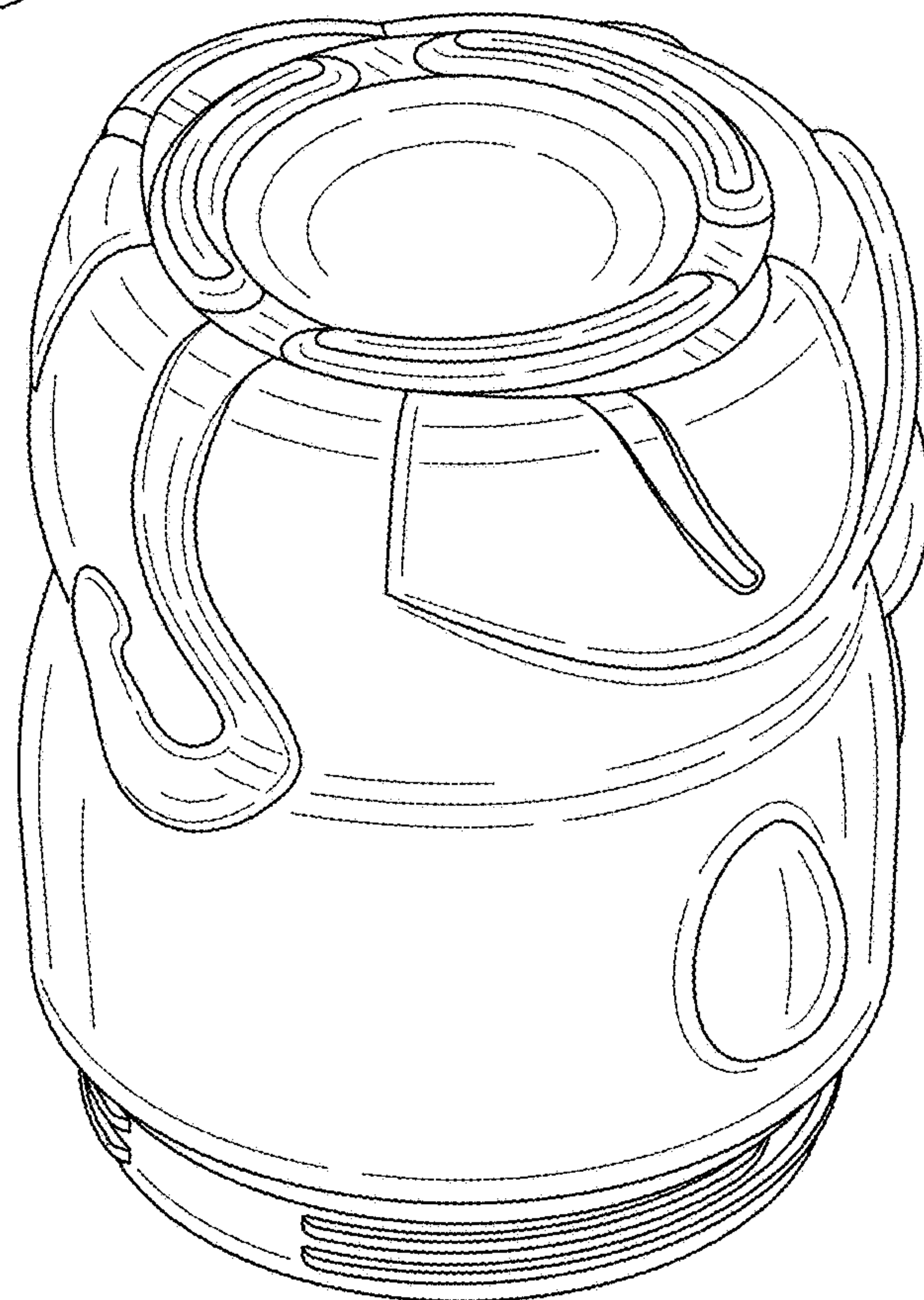


FIG. 3

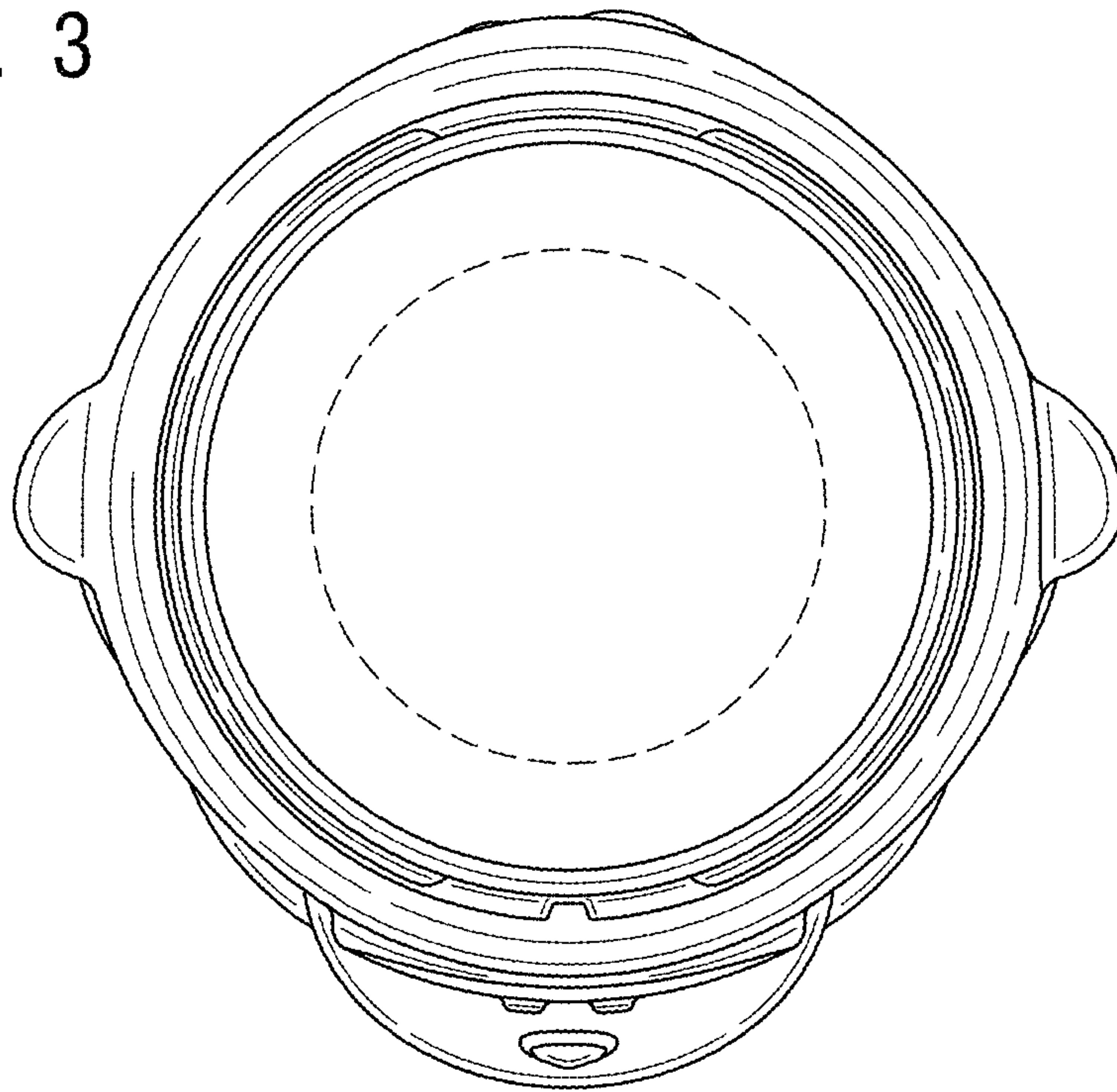


FIG. 4

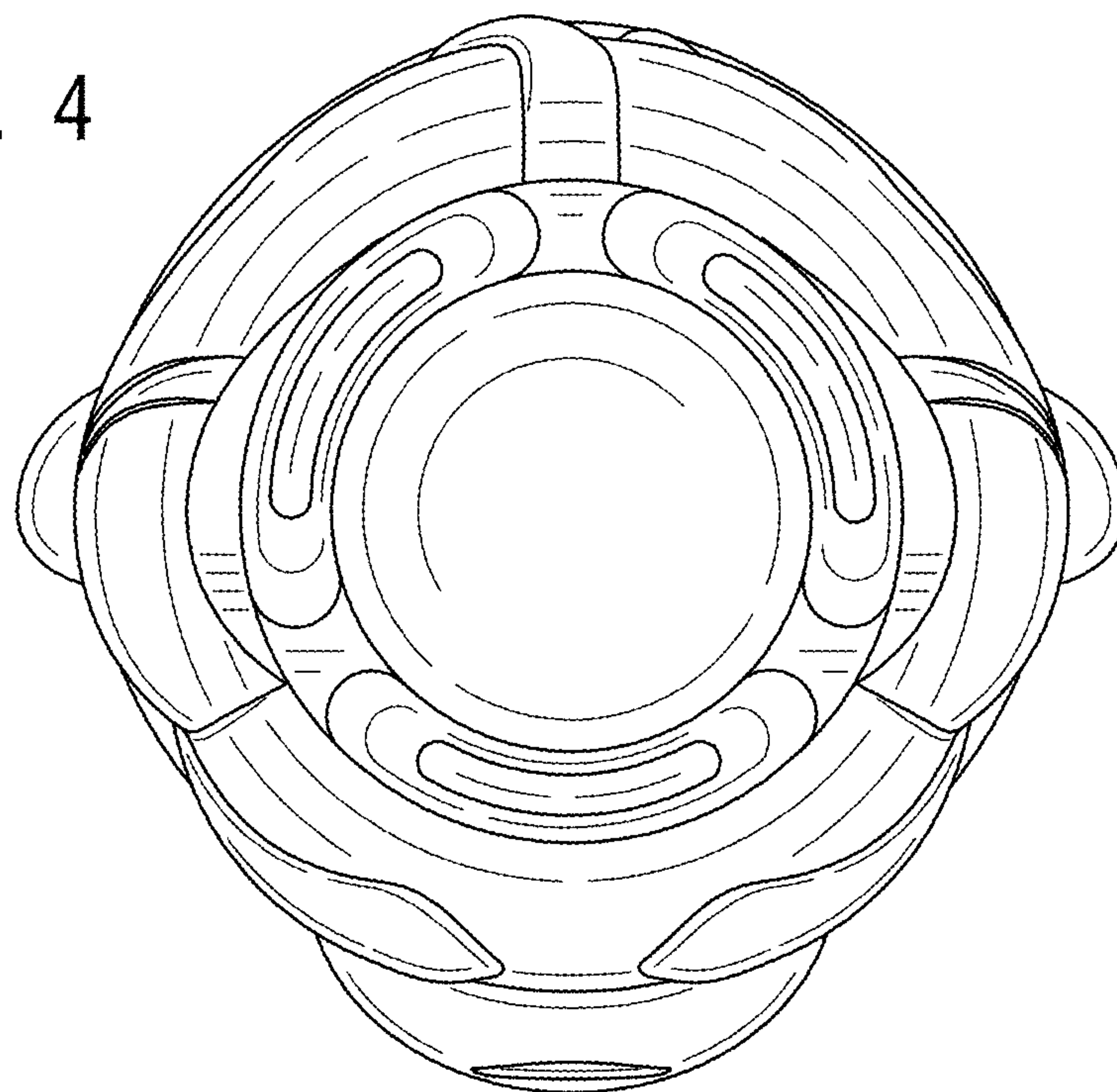


FIG. 5

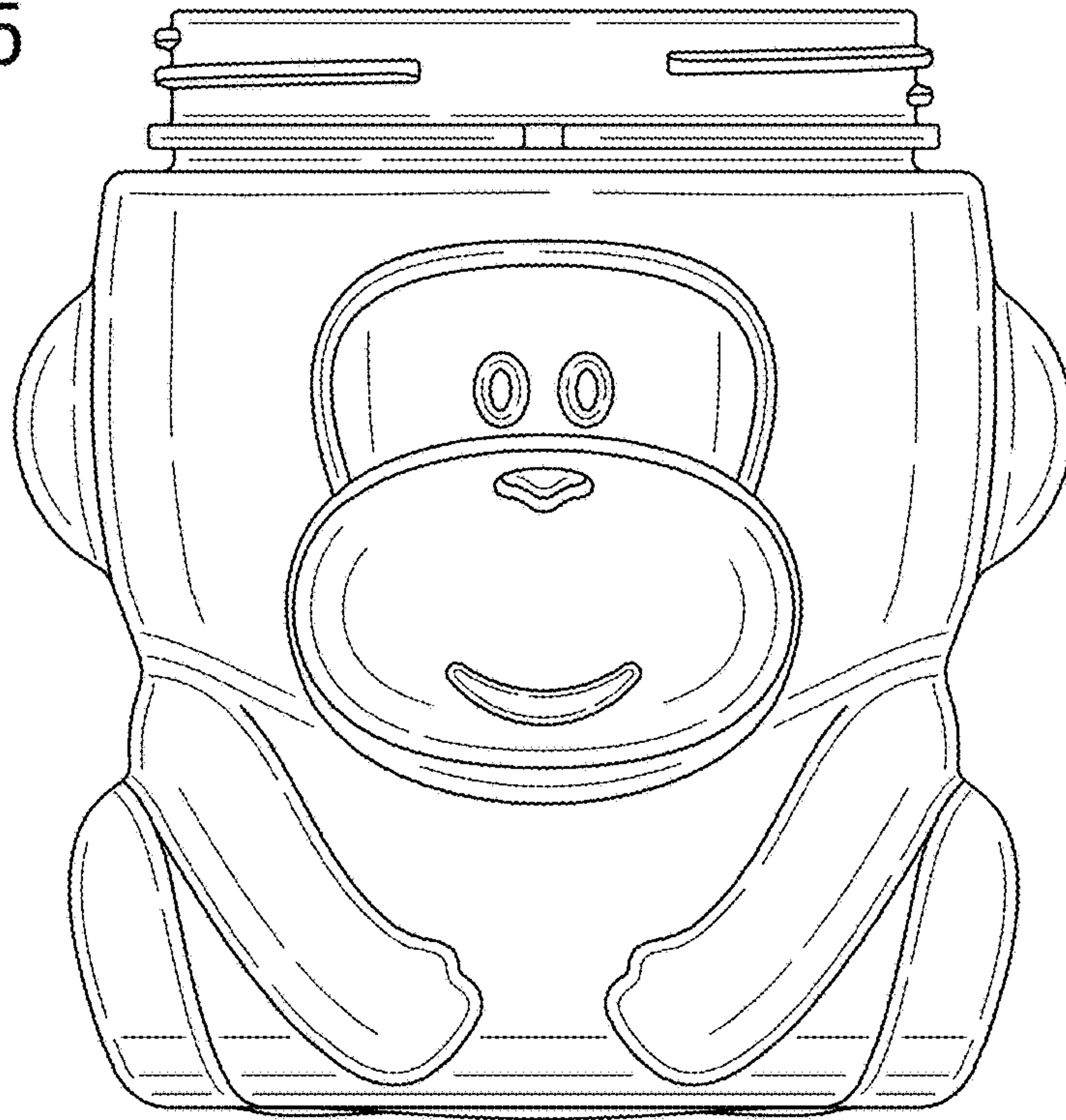


FIG. 6

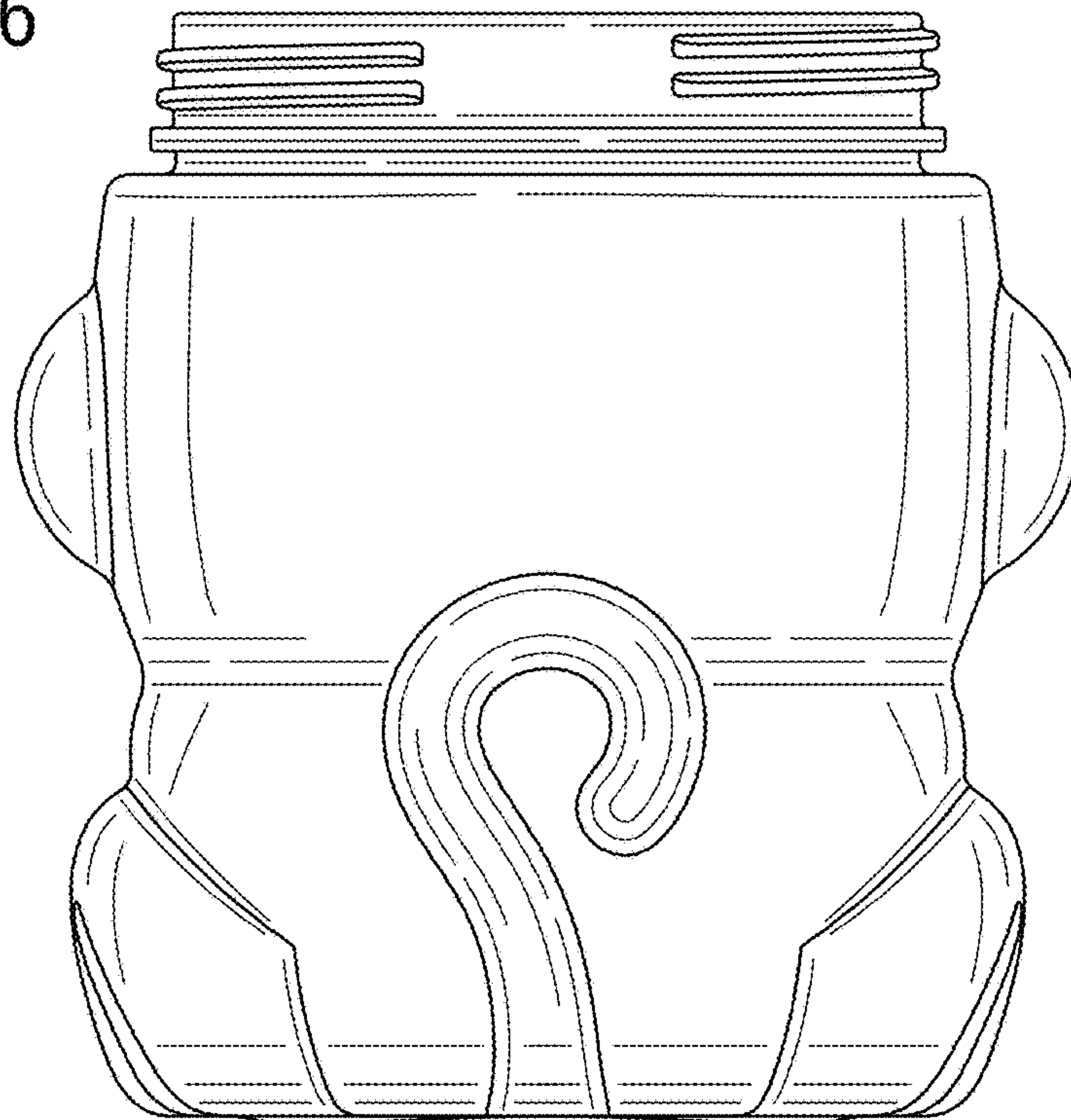


FIG. 7

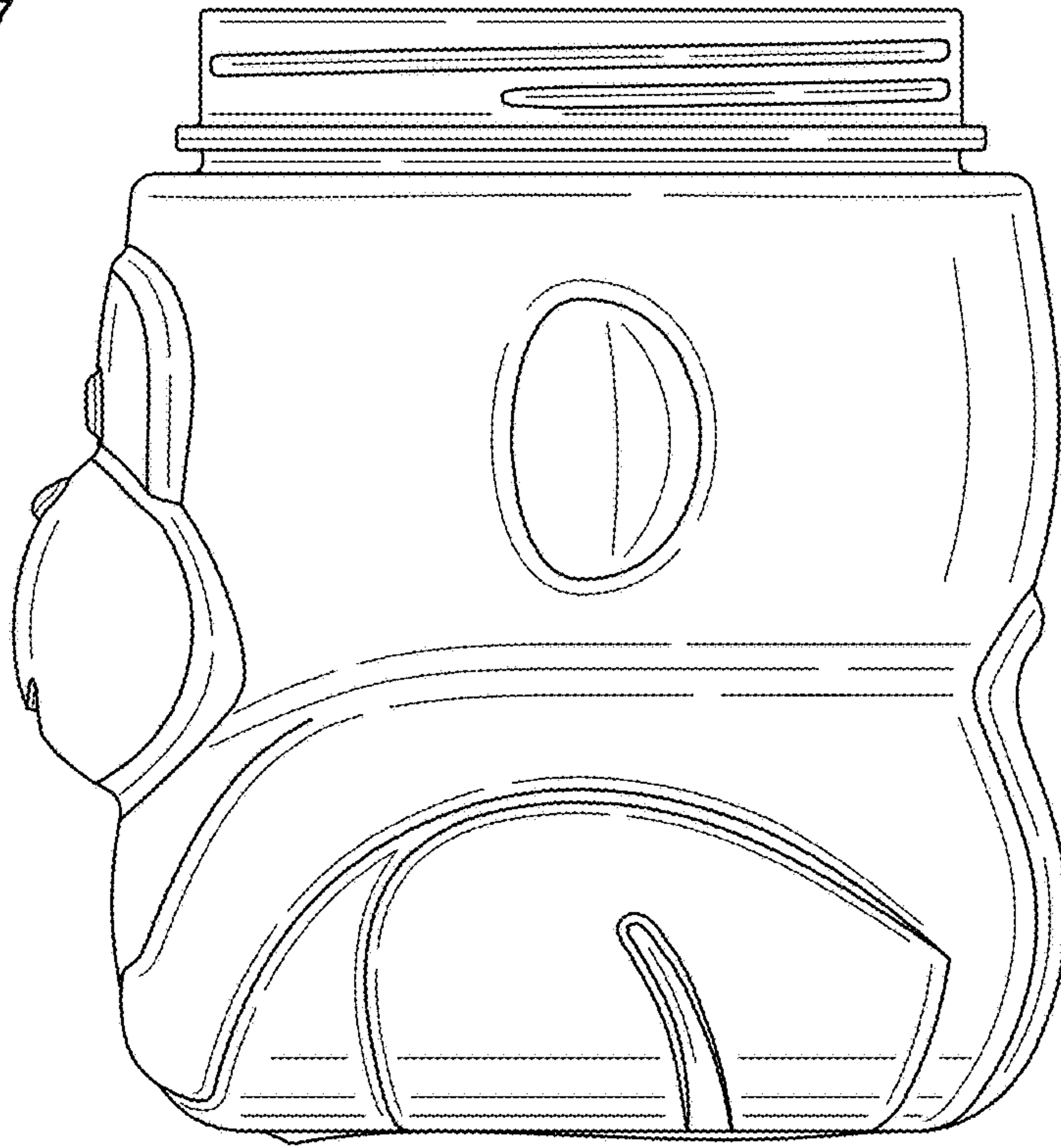


FIG. 8

