



US00D782882S

(12) **United States Design Patent**  
**Haytayan et al.**

(10) **Patent No.:** **US D782,882 S**  
(45) **Date of Patent:** **\*\* Apr. 4, 2017**

(54) **BASE FOR A CONTAINER**

(71) Applicant: **GadgITGirlz, LLC**, Glendale, CA (US)

(72) Inventors: **Alita Haytayan**, Los Angeles, CA (US); **Celeste Nameth**, Studio City, CA (US)

(73) Assignee: **GadgITGirlz, LLC**, Glendale, CA (US)

(\*\*) Term: **15 Years**

(21) Appl. No.: **29/562,713**

(22) Filed: **Apr. 28, 2016**

**Related U.S. Application Data**

(62) Division of application No. 29/536,703, filed on Aug. 19, 2015, now Pat. No. Des. 760,550.

(51) **LOC (10) Cl.** ..... **07-06**

(52) **U.S. Cl.**  
USPC ..... **D7/624.1**

(58) **Field of Classification Search**  
USPC ..... D7/619.1-625, 701-708, 388; D9/455, D9/444

CPC ... A45F 5/10; A47G 19/2205; A47G 19/2261; A47G 23/0266; A47G 23/0216; A47G 23/03; B65D 83/38; B65D 25/24; B65D 81/3879; B65D 81/3876; B65D 81/3881; F25D 3/08; A47L 23/00

See application file for complete search history.

(56) **References Cited**

**U.S. PATENT DOCUMENTS**

- 2,589,967 A \* 3/1952 Sawyer ..... A47G 19/2261 215/372
- 2,727,645 A 5/1955 Dore
- 5,040,719 A \* 8/1991 Ballway ..... A47G 19/2205 215/10
- 5,071,096 A \* 12/1991 Hartman ..... A47G 23/0216 248/154

(Continued)

**OTHER PUBLICATIONS**

Design U.S. Appl. No. 29/497,622, filed Jul. 25, 2014. (11 pages).

(Continued)

*Primary Examiner* — Terry Wallace

(74) *Attorney, Agent, or Firm* — K&L Gates LLP

(57) **CLAIM**

The ornamental design for a base for a container, as shown and described.

**DESCRIPTION**

FIG. 1 illustrates a perspective view of base for a container showing our new design;

FIG. 2 illustrates a top perspective view thereof;

FIG. 3 illustrates a bottom perspective view thereof;

FIG. 4 illustrates a left side elevational view thereof, the right side elevational view being a mirror image;

FIG. 5 illustrates a front elevational view thereof, the rear elevational view being a mirror image;

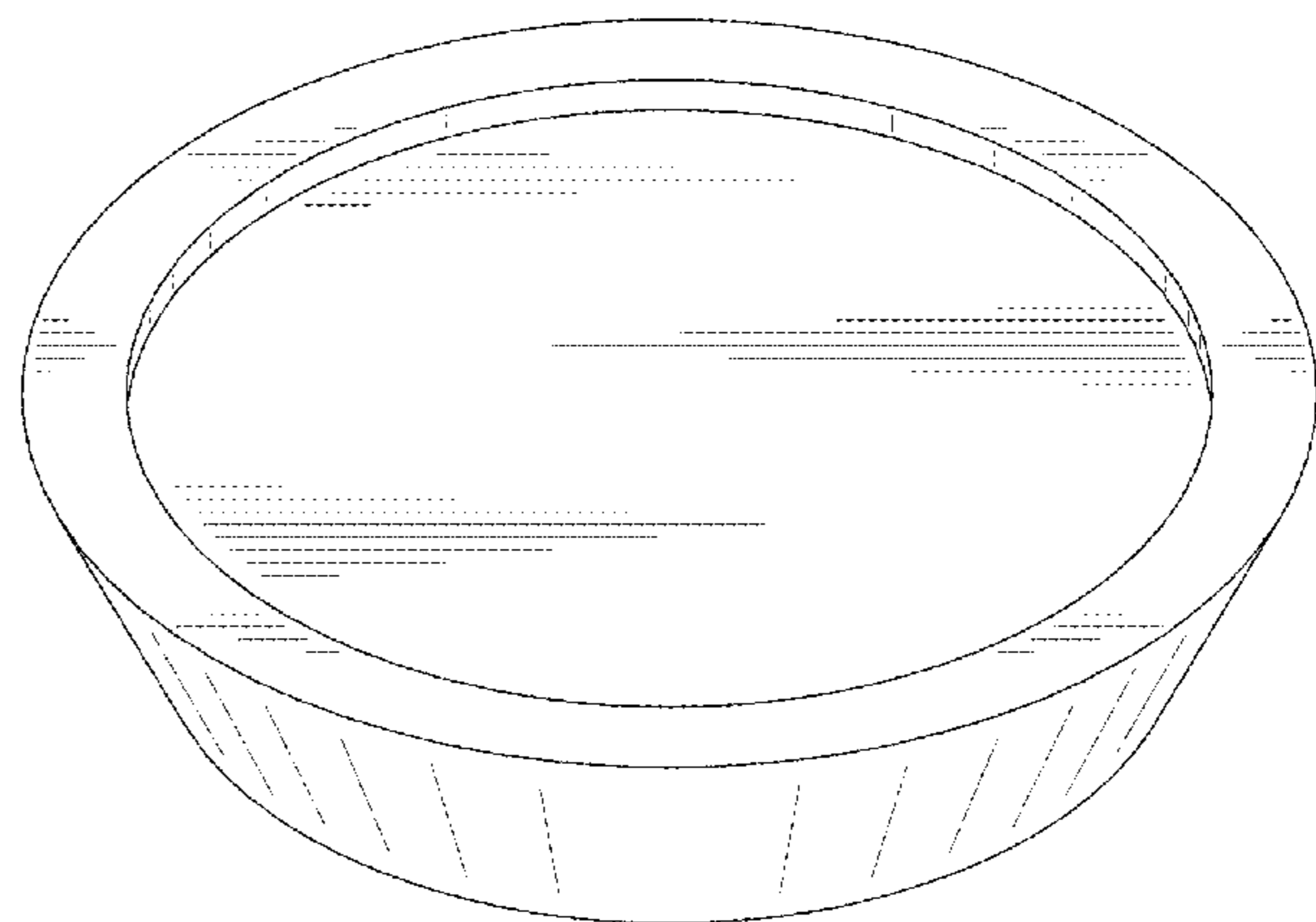
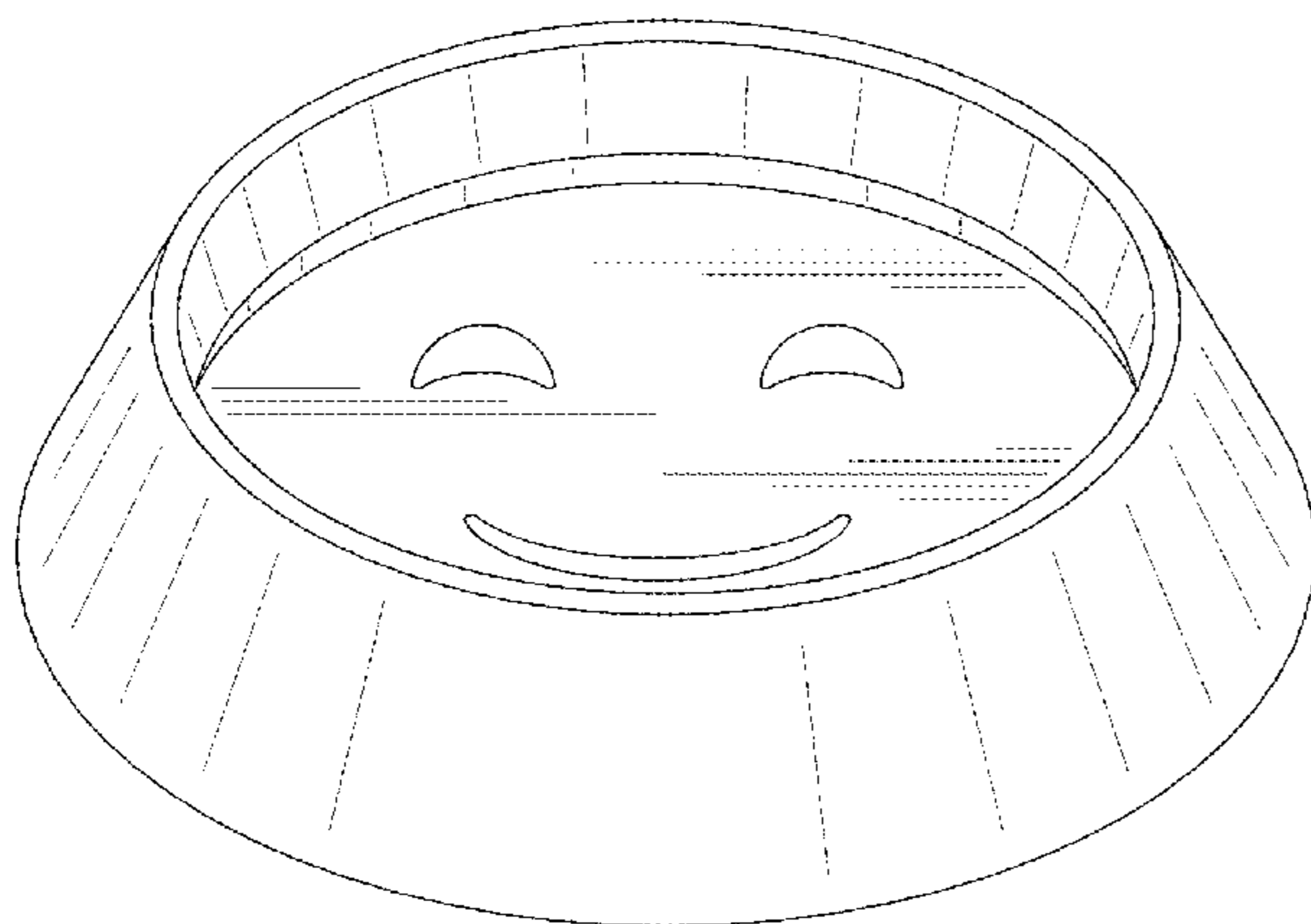
FIG. 6 illustrates a top plan view thereof;

FIG. 7 illustrates a bottom plan view thereof; and,

FIG. 8 illustrates a cross-sectional view thereof taken from FIG. 6.

The broken lines showing the can are for illustrative purposes only and form no part of the claimed design.

**1 Claim, 4 Drawing Sheets**



(56)

**References Cited**

U.S. PATENT DOCUMENTS

5,123,558 A 6/1992 Moloney  
5,285,996 A 2/1994 Waller  
5,335,954 A \* 8/1994 Holub ..... A45F 5/10  
215/376  
5,842,675 A 12/1998 Davitt  
6,123,220 A 9/2000 Williams  
6,571,976 B1 \* 6/2003 Sonnabend ..... B65D 25/24  
220/483  
6,786,062 B1 \* 9/2004 Greenberg ..... F25D 3/08  
62/457.4  
6,877,705 B2 4/2005 Dauer  
D523,293 S \* 6/2006 Disbrow ..... D7/619.1  
D557,567 S \* 12/2007 Gronikowski ..... D7/622  
8,025,169 B2 \* 9/2011 Zimmerman ..... A47G 19/2261  
220/23.86  
8,272,523 B1 \* 9/2012 DeMuis, Sr. .... A47L 23/00  
215/393  
2007/0012706 A1 \* 1/2007 Deadman ..... B65D 81/3879  
220/737  
2011/0198473 A1 8/2011 McDonough

OTHER PUBLICATIONS

Rust-O-Less product listed available for sale at least as early as Feb. 8, 2014, retrieved online from <http://web.archive.org/web/20140208111233/http://www.rustless.com/>. (2 pages).

\* cited by examiner

FIG. 1

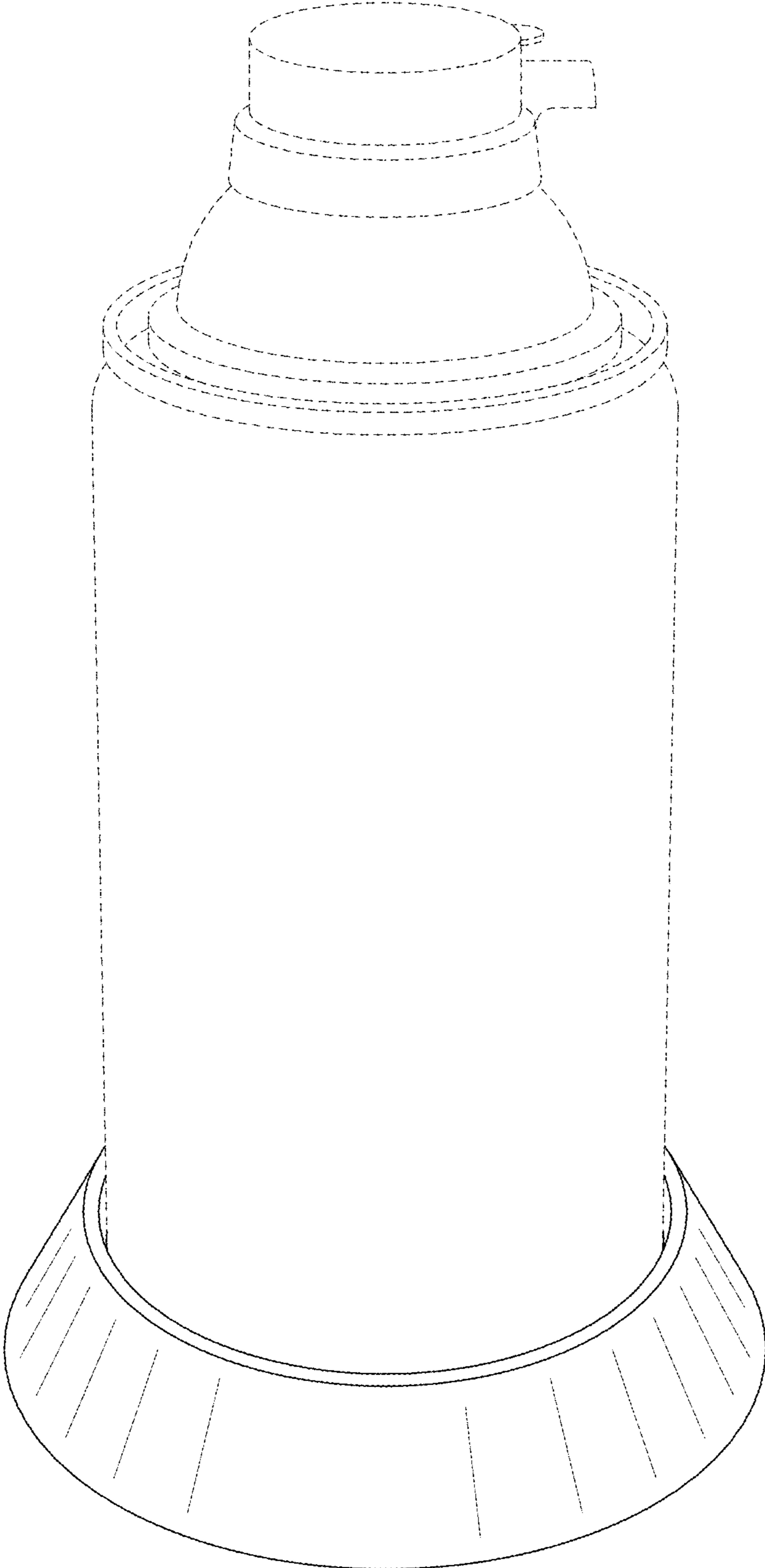


FIG. 2

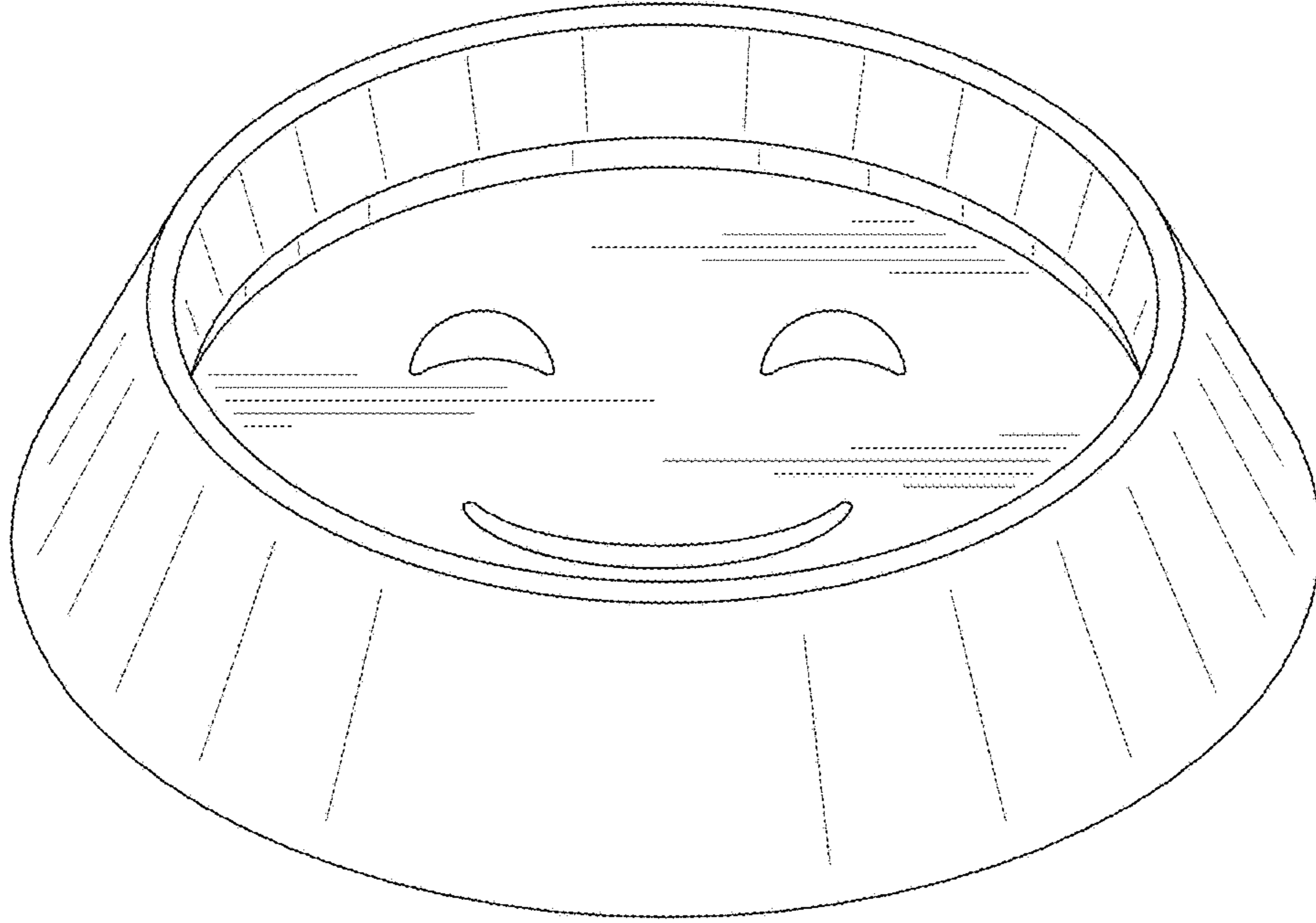


FIG. 3

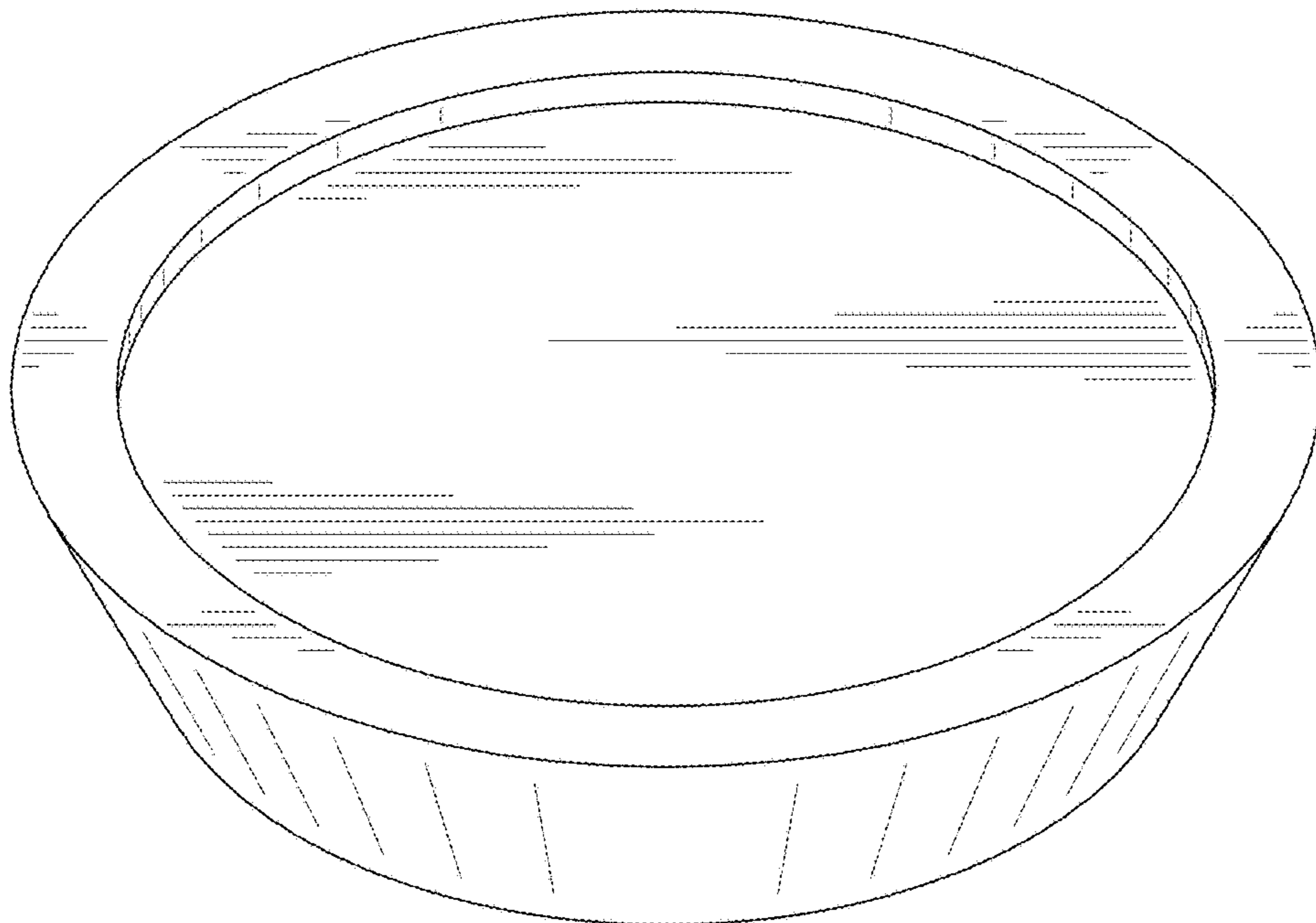


FIG. 4

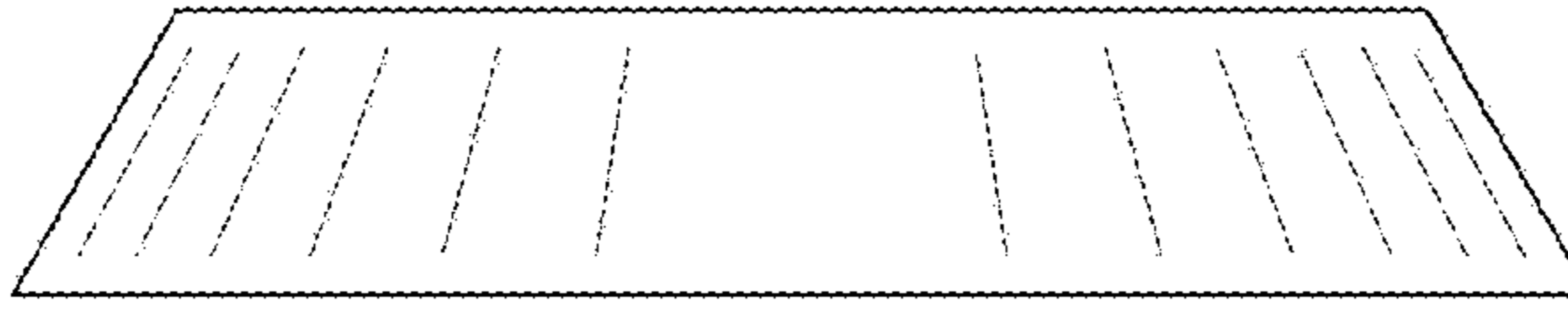


FIG. 5



FIG. 6

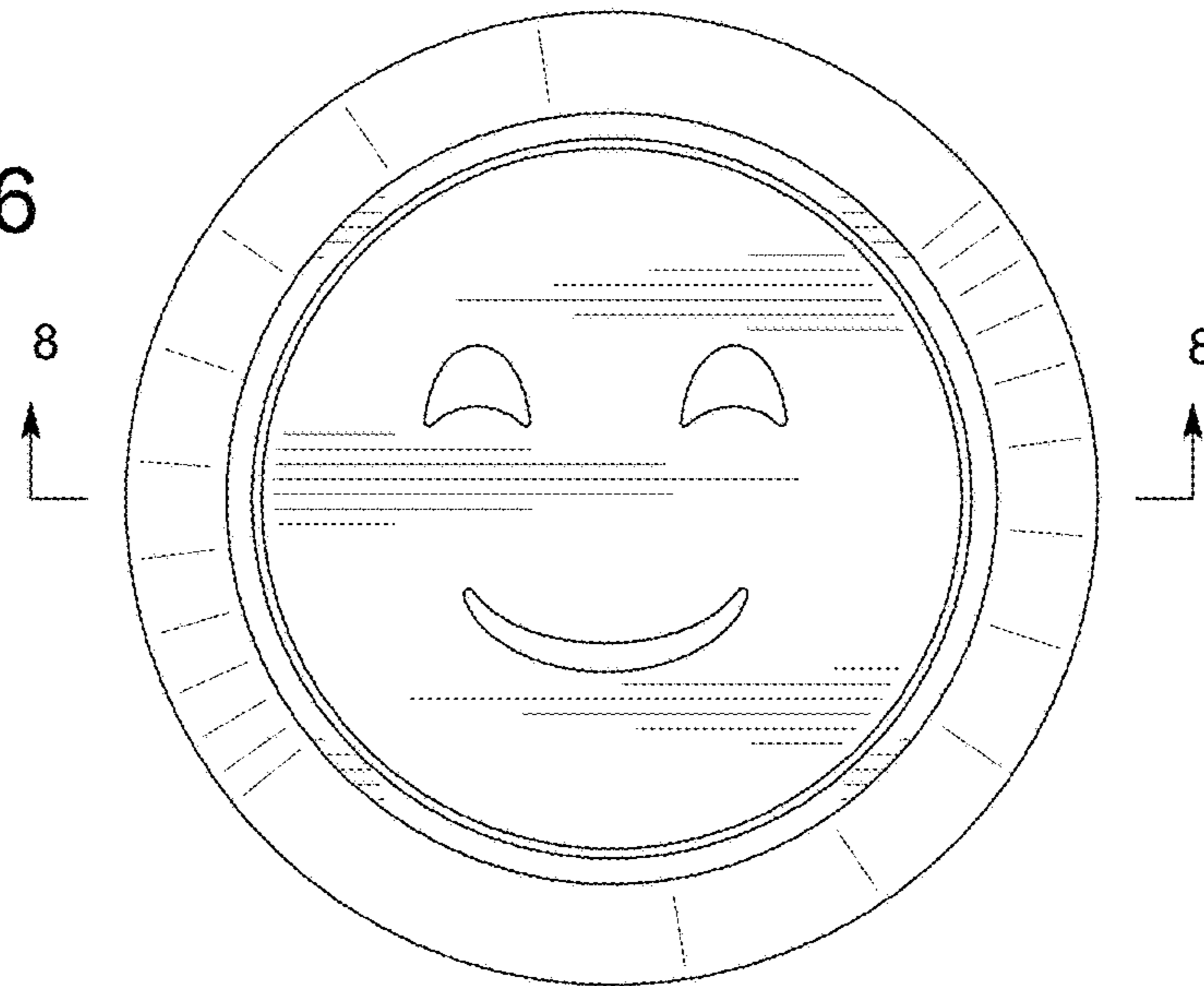


FIG. 7

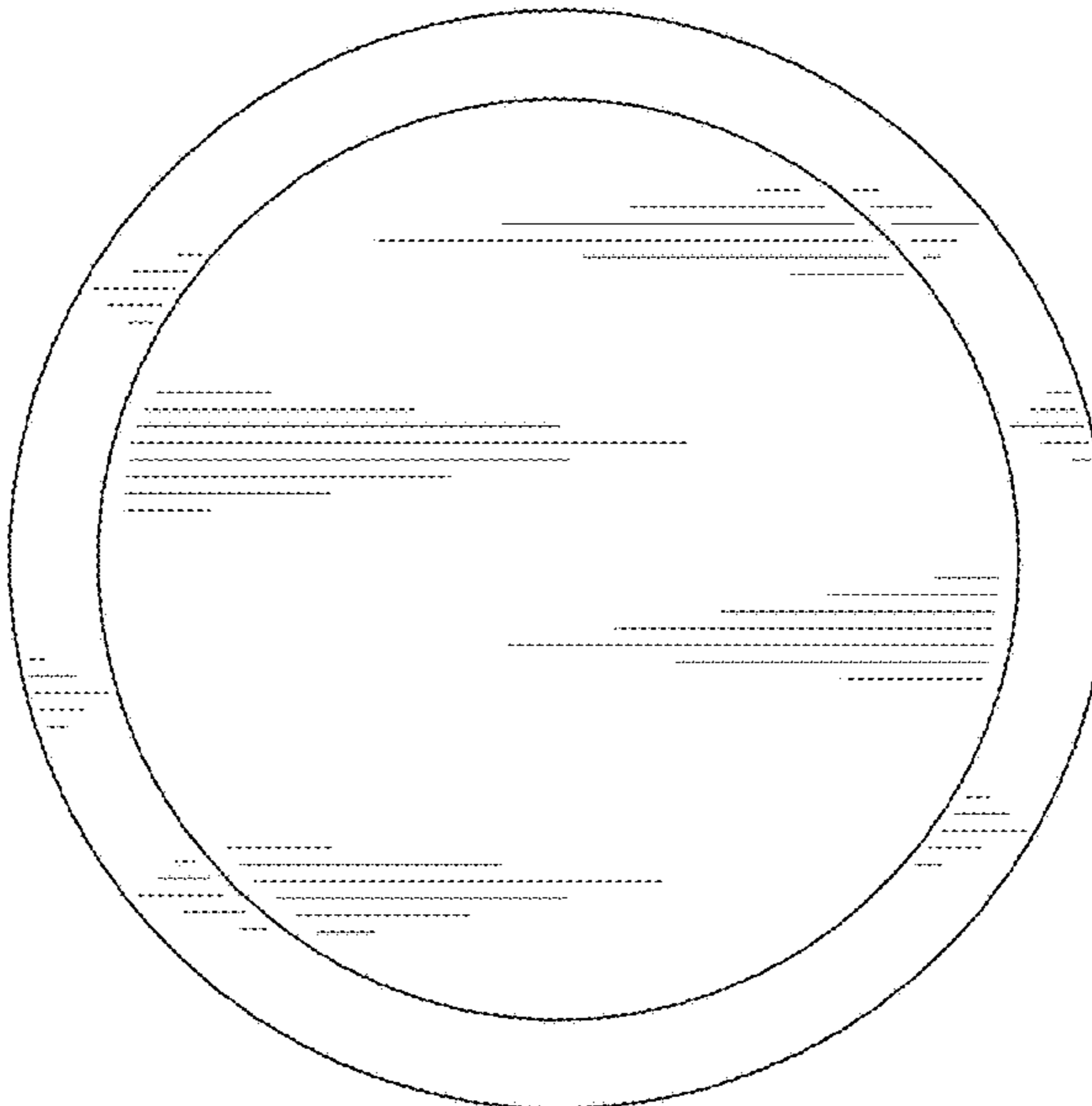


FIG. 8

