



US00D782876S

(12) **United States Design Patent** (10) **Patent No.:** **US D782,876 S**
Rebmann (45) **Date of Patent:** **** Apr. 4, 2017**

(54) **COMMUNION CUP**
(71) Applicant: **Ronald M. Rebmann**, Libertyville, IL (US)
(72) Inventor: **Ronald M. Rebmann**, Libertyville, IL (US)
(**) Term: **15 Years**
(21) Appl. No.: **29/548,698**
(22) Filed: **Dec. 16, 2015**
(51) **LOC (10) Cl.** **07-01**
(52) **U.S. Cl.**
USPC **D7/509**
(58) **Field of Classification Search**
USPC D7/509–511, 515, 523, 529, 532, 543, D7/536, 538, 553.1, 553.3, 553.8, 554.2, D7/602, 608, 703, 619.1, 397–399, 900; D9/424, 425, 429, 528, 503, 504, 697, D9/516, 517, 551, 556, 562, 564, 435, D9/439; D28/4, 82, 85; 206/499, 508, 206/557; 220/656–659, 669–675, 220/660–662, 912; 229/400–406, 982; 99/275, 426
CPC A47G 19/22; A47G 19/23; A47G 19/2205; A47G 19/2272; A47G 2019/2277; A47G 2019/2205; A45F 3/16; A45F 3/18; A45F 3/20; A45F 2003/163; B65D 1/265
See application file for complete search history.

(56) **References Cited**
U.S. PATENT DOCUMENTS
D241,453 S * 9/1976 Schwartzburg D11/152
D304,514 S * 11/1989 Vezirian D7/503
D330,514 S * 10/1992 Edwards D7/603
D389,403 S * 1/1998 Rahr D9/428
D400,398 S * 11/1998 McNaughton D7/503

D426,160 S * 6/2000 Lindsay D9/500
D429,150 S * 8/2000 Lindsay D7/602
D449,419 S * 10/2001 Barrett D7/533
D453,094 S * 1/2002 Maggard D7/584
D473,788 S * 4/2003 Chen D9/425
D474,110 S * 5/2003 Sweeney D9/425
D474,111 S * 5/2003 Lazaris D9/425
D534,768 S * 1/2007 Mansfield D7/513
D539,091 S * 3/2007 Mansfield D7/509
D550,036 S * 9/2007 Holcomb D7/512
D555,979 S * 11/2007 Mansfield D7/509
D568,156 S * 5/2008 Wilson D9/428
D575,110 S * 8/2008 Karam D7/509
D575,111 S * 8/2008 Karam D7/509
D576,839 S * 9/2008 Mansfield D7/509
D577,288 S * 9/2008 Wilson D9/428
D591,590 S * 5/2009 Wilson D9/428
D607,277 S * 1/2010 Ahlm D7/513
D607,692 S * 1/2010 Skala D7/523
D645,705 S * 9/2011 Shamoon D7/543
D677,151 S * 3/2013 Magniet D9/424

(Continued)

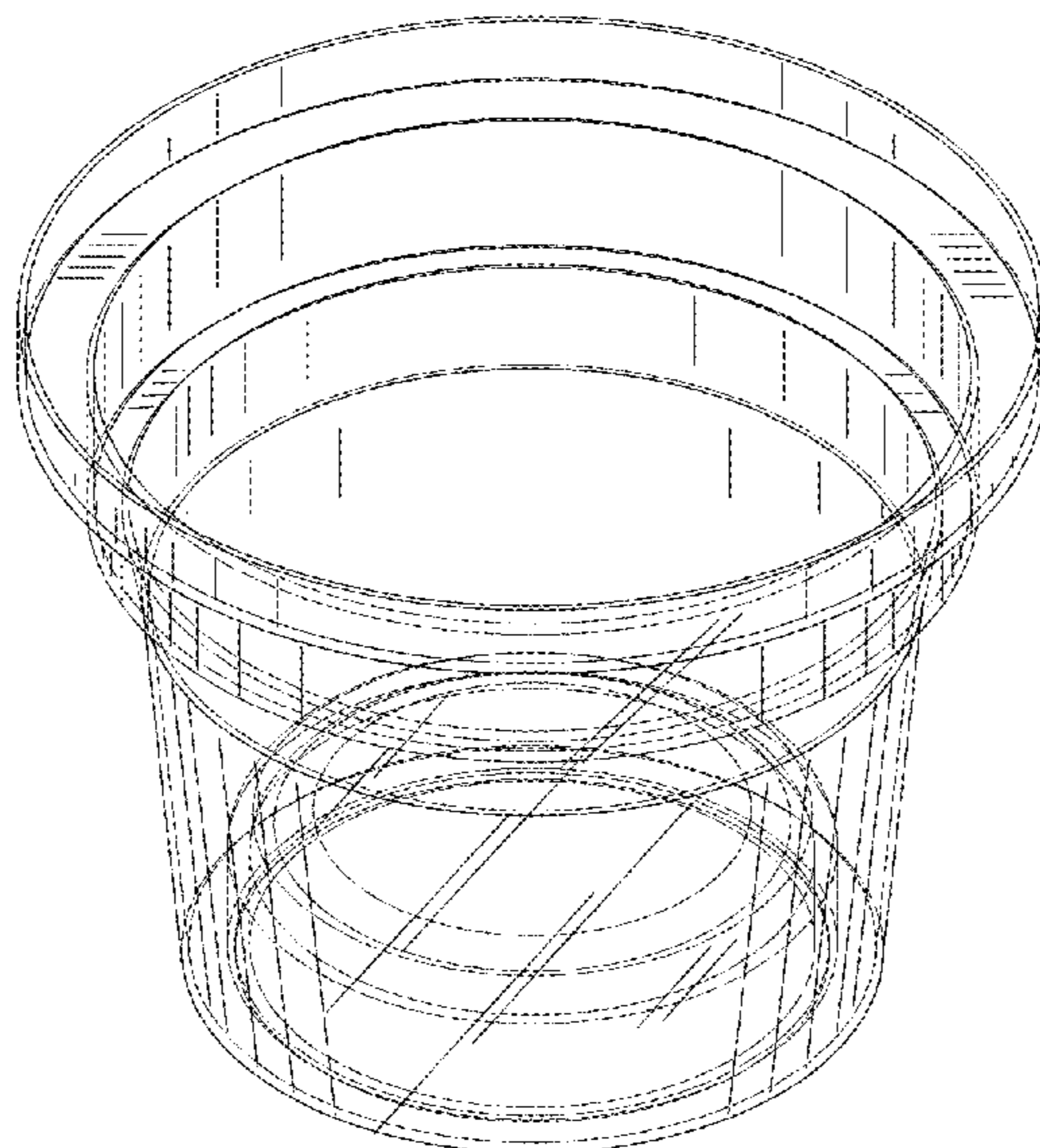
Primary Examiner — Cynthia Ramirez
Assistant Examiner — Andrew Kerr
(74) *Attorney, Agent, or Firm* — Apogee Law Group P.C.

(57) **CLAIM**
The ornamental design for a communion cup, as shown and described.

DESCRIPTION

FIG. 1 is an isometric view of communion cup showing my new design;
FIG. 2 is a front elevational view thereof, a rear elevational view being the same;
FIG. 3 is a left side elevational view thereof, a right side elevational view being the same;
FIG. 4 is a top plan view thereof;
FIG. 5 is a bottom plan view thereof; and,
FIG. 6 is a bottom isometric view thereof.

1 Claim, 6 Drawing Sheets



(56)

References Cited

U.S. PATENT DOCUMENTS

D680,377	S *	4/2013	Romley	D7/523
D685,263	S *	7/2013	Danenberg	D9/500
D692,760	S *	11/2013	Rapparini	D9/425
D695,110	S *	12/2013	Houlton	D9/500
D698,649	S *	2/2014	Quint	D7/400
D705,064	S *	5/2014	Sy	D11/154
D710,686	S *	8/2014	Gowens	D9/429
D715,649	S *	10/2014	O'Brien	D9/500
8,881,936	B2 *	11/2014	Crosby	B65D 1/16 220/669
D733,555	S *	7/2015	Brady	D9/428
D746,641	S *	1/2016	Panone	D7/602
D752,972	S *	4/2016	Goldstein	D9/429
D756,771	S *	5/2016	Covey	D7/400
2004/0253346	A1 *	12/2004	Amato	A21D 13/0029 426/89
2010/0064899	A1 *	3/2010	Aardenburg	A47J 31/3633 99/295

* cited by examiner

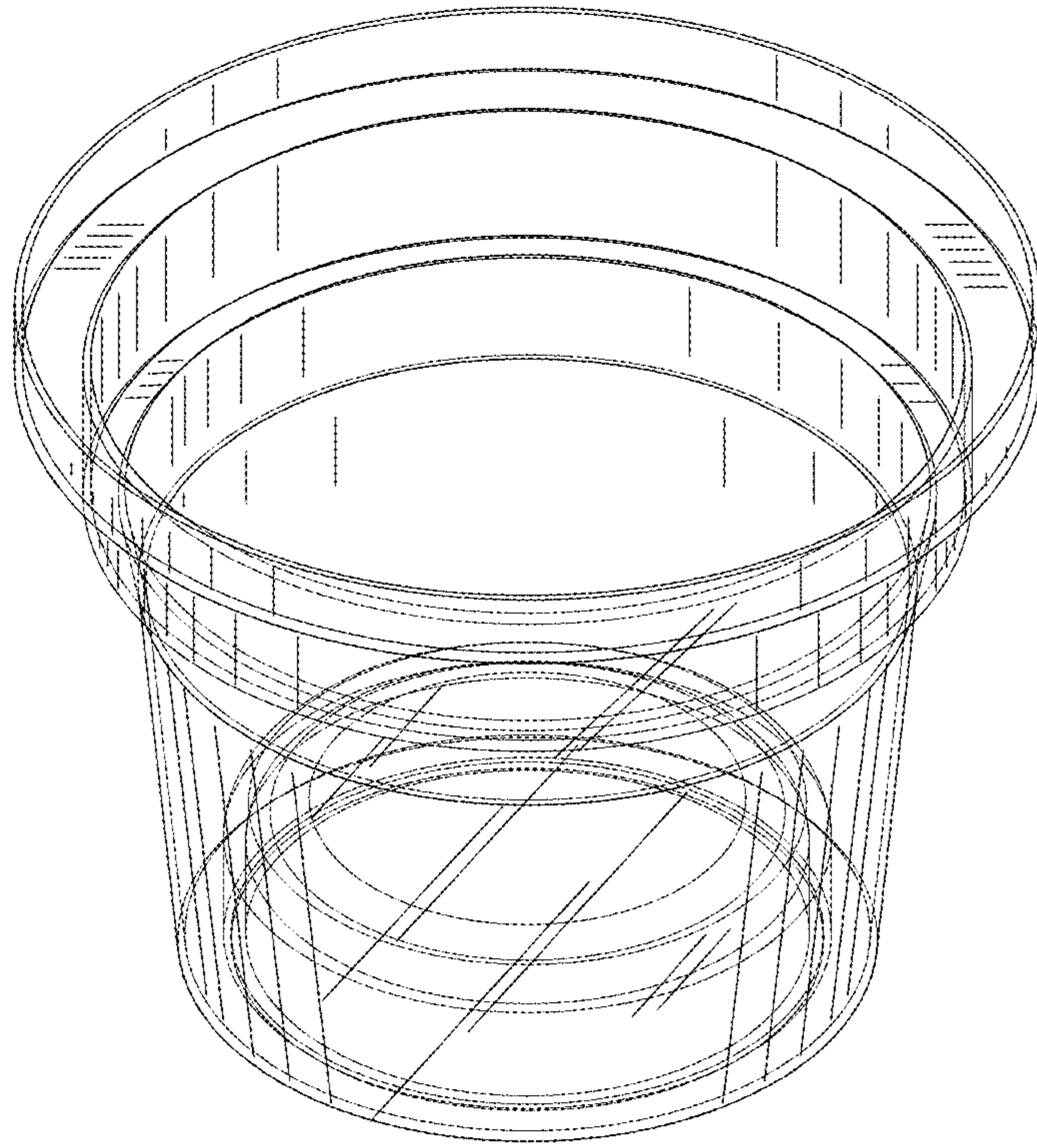


FIG. 1

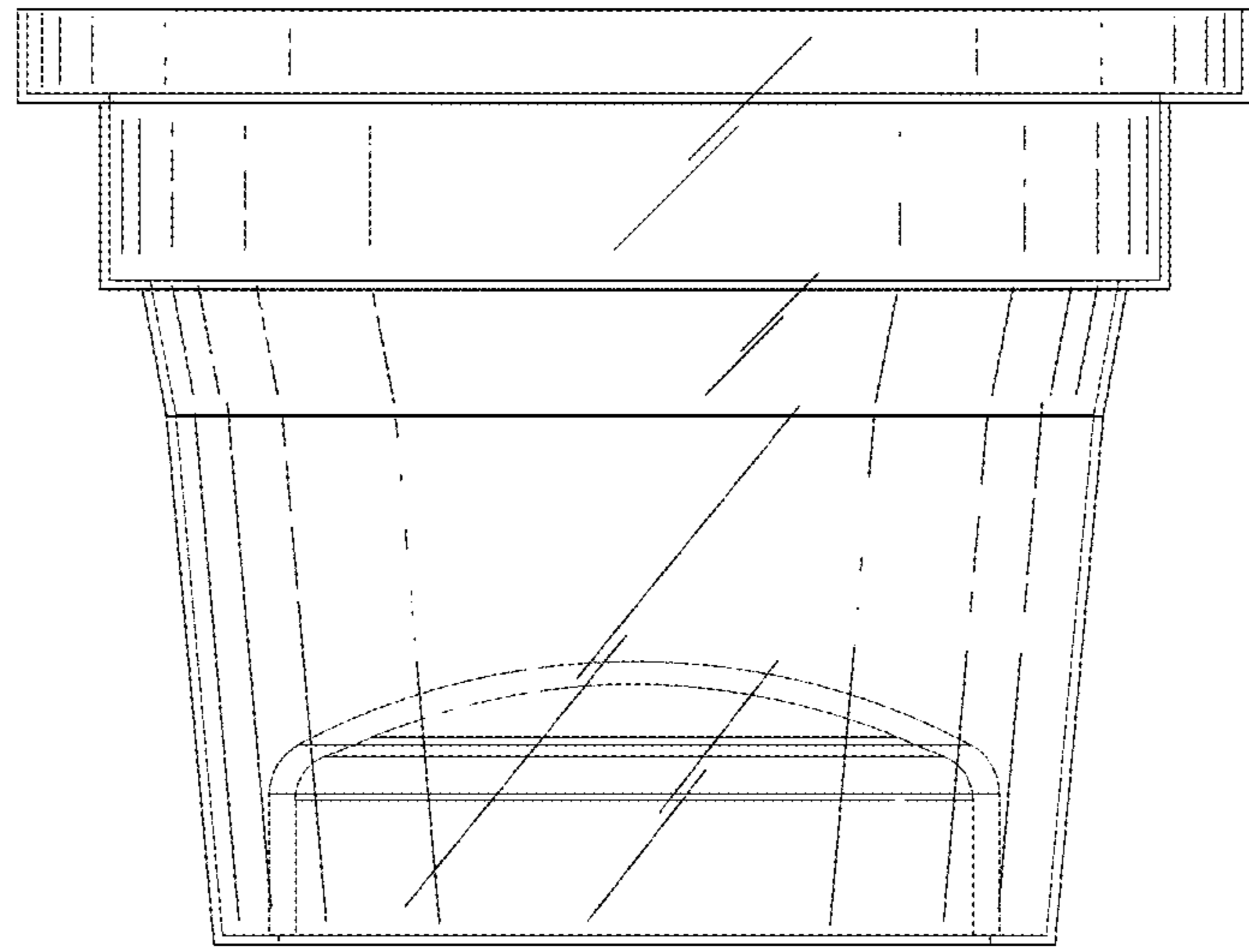


FIG. 2

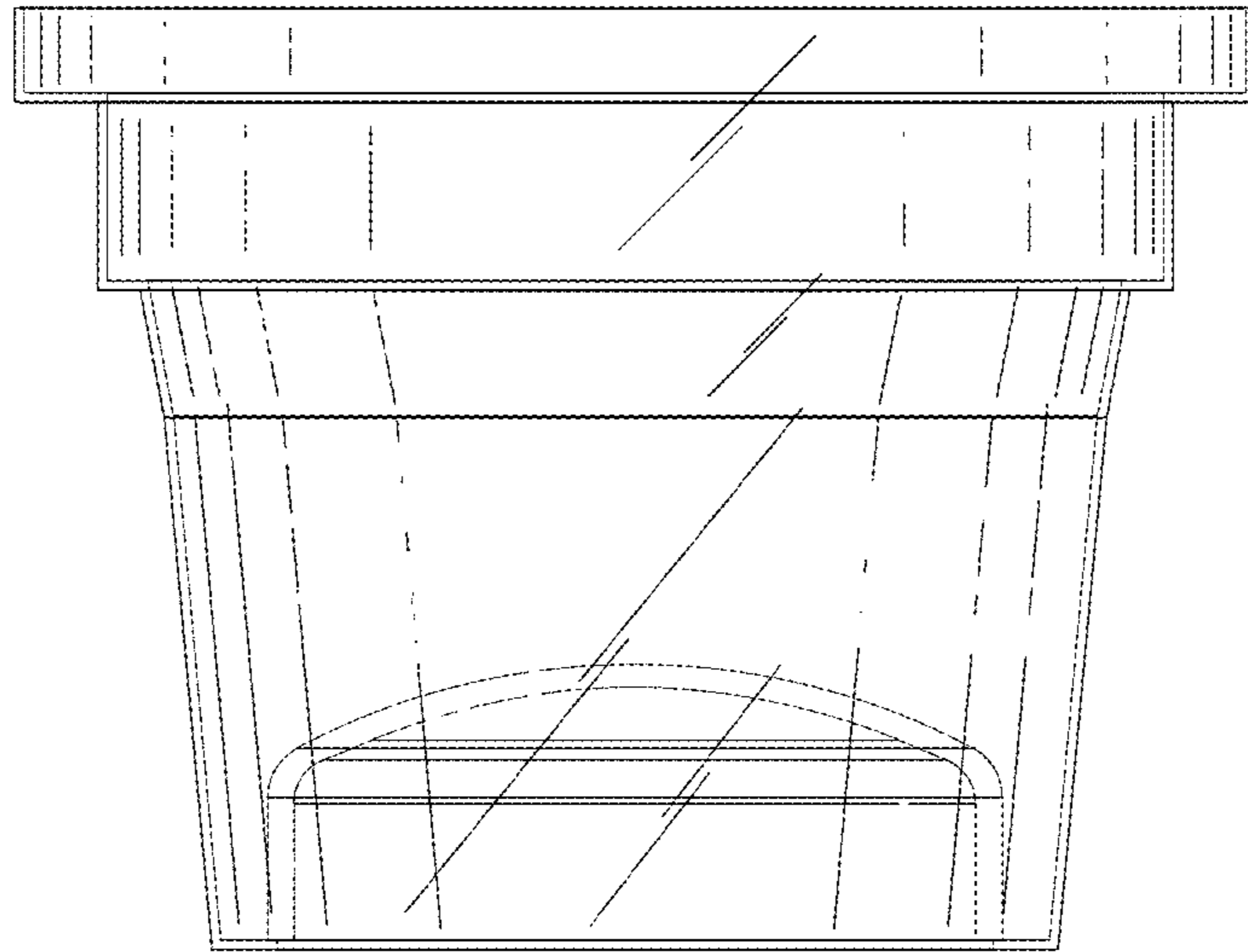


FIG. 3

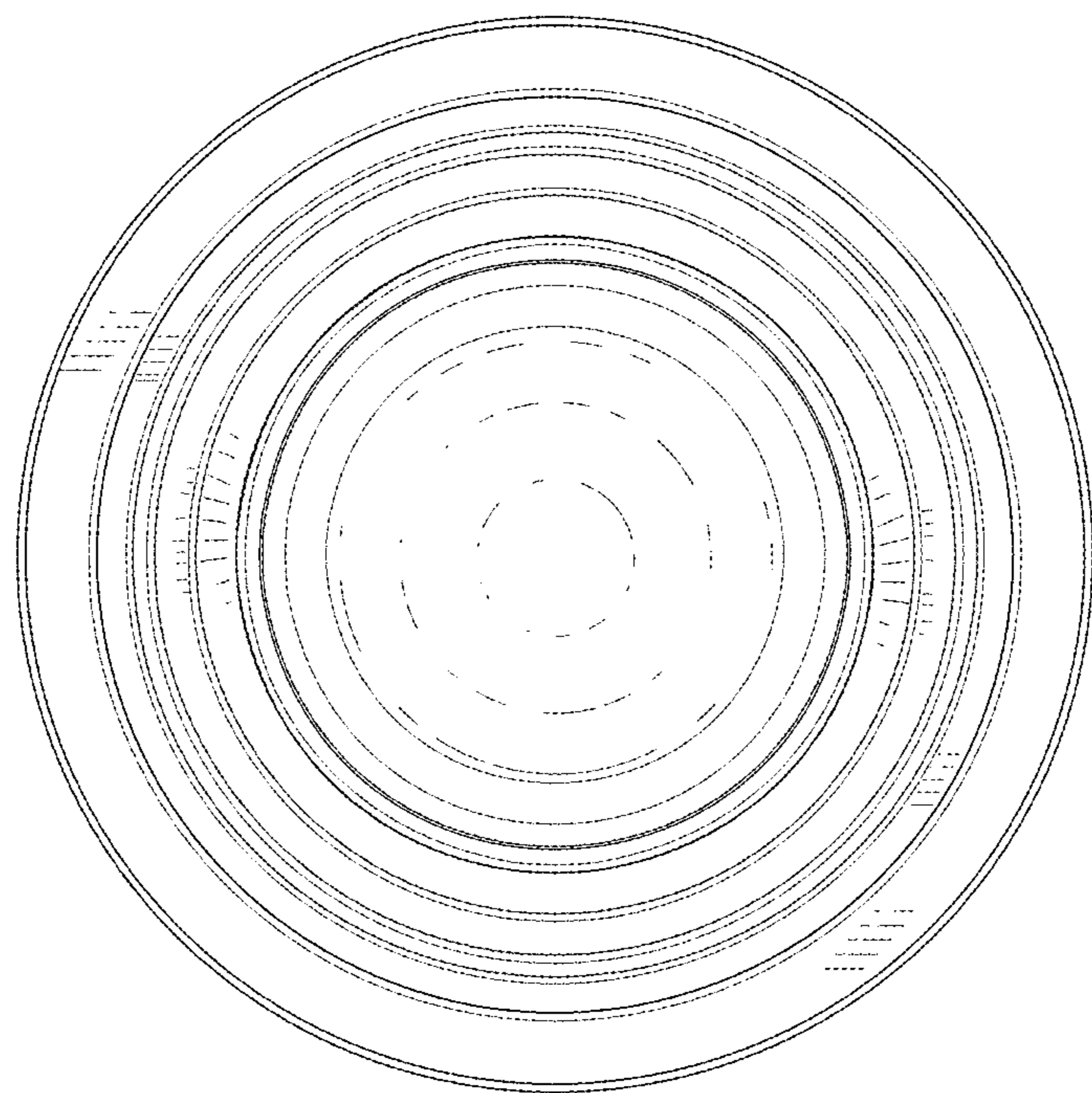


FIG. 4

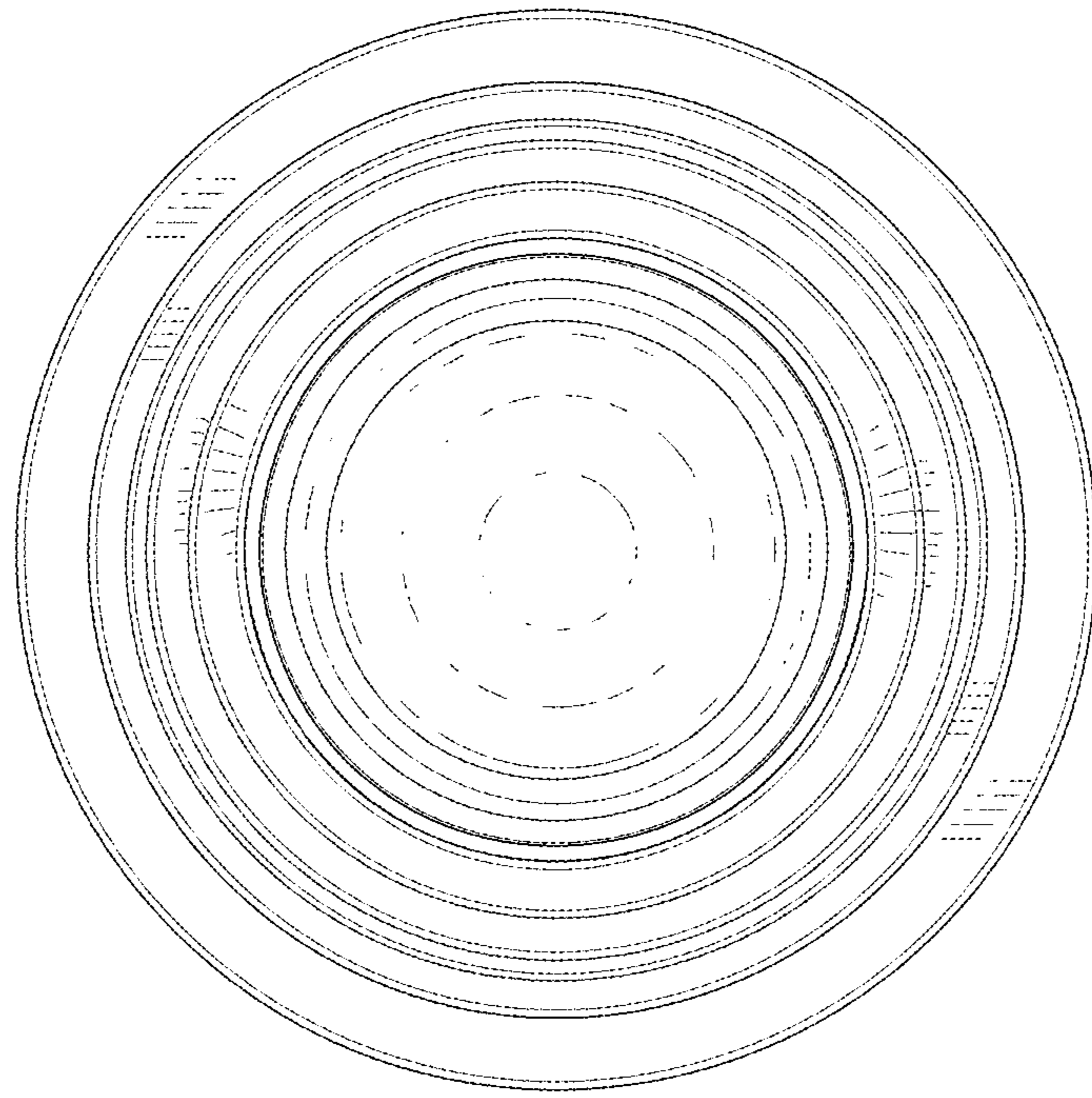


FIG. 5

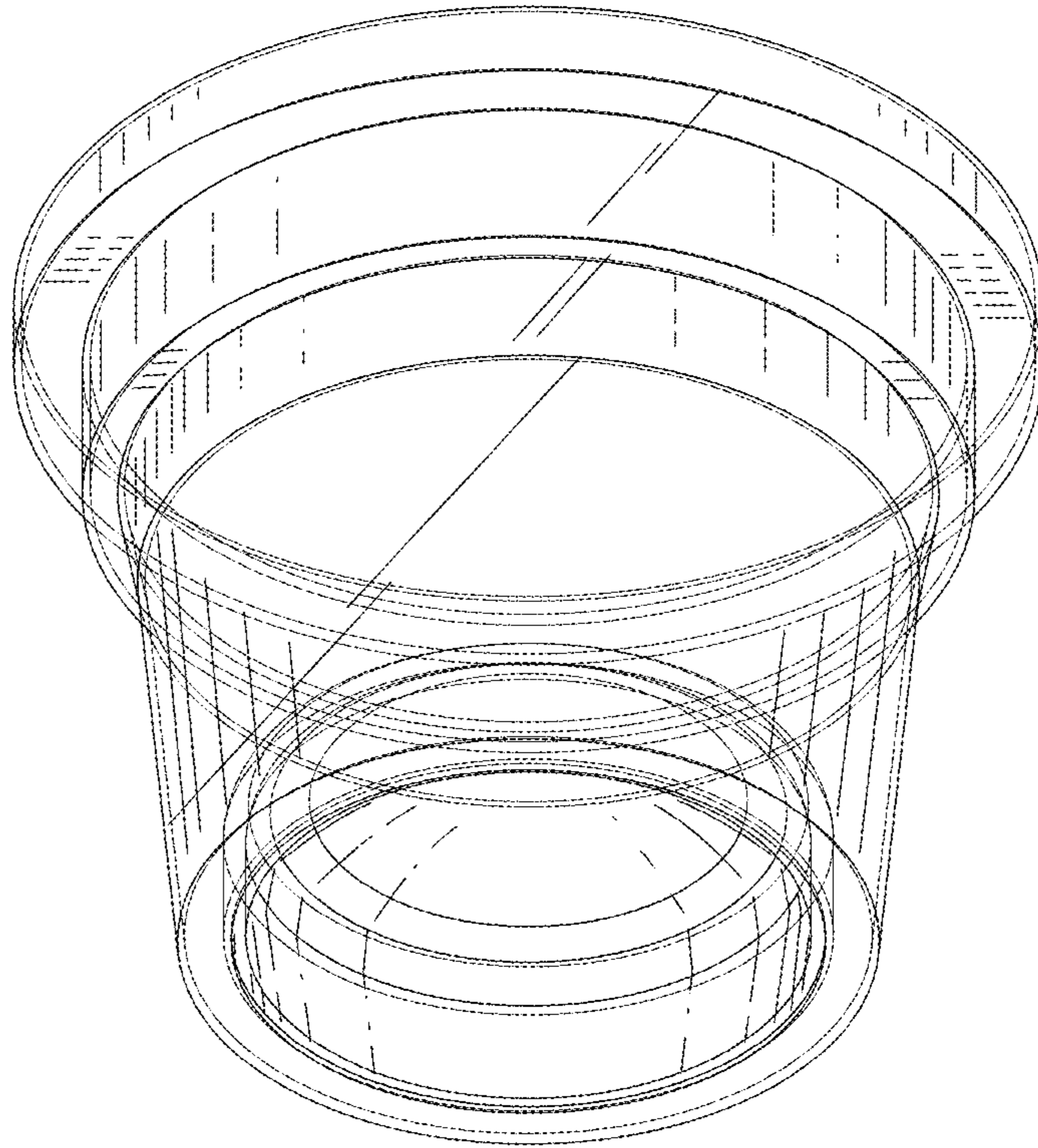


FIG. 6