



US00D782875S

(12) **United States Design Patent**  
**Matthis et al.**

(10) **Patent No.:** **US D782,875 S**  
(45) **Date of Patent:** **\*\* Apr. 4, 2017**

- (54) **TUMBLER WITH STRAW**
- (71) Applicant: **Ignite USA, LLC**, Chicago, IL (US)
- (72) Inventors: **Marjavis J. Matthis**, Chicago, IL (US);  
**Bryan Washburn**, Buffalo Grove, IL (US); **Robert Coon**, Chicago, IL (US)
- (73) Assignee: **Ignite USA, LLC**, Chicago, IL (US)
- (\*\*) Term: **15 Years**
- (21) Appl. No.: **29/535,428**
- (22) Filed: **Aug. 6, 2015**
- (51) **LOC (10) Cl.** ..... **07-01**
- (52) **U.S. Cl.**  
USPC ..... **D7/507; D7/515; D7/510; D7/300.2**
- (58) **Field of Classification Search**  
USPC ..... **D7/507, 509, 510, 511, 213, 514, 515, D7/300.2, 301, 387, 392, 392.1, 393, 394, D7/396.1, 396.2, 396.3, 397, 398, 399, D7/400, 708.1, 619.1, 633, 635, 523, 532, D7/517; D24/194, 197, 198; D9/624, D9/435, 436, 440; 220/703, 592.16, 220/592.17, 705, 706, 707; D10/119.2, D10/119.3**  
CPC ..... **A47G 19/06; A47G 19/02; A47G 19/065; A47G 19/2216; A47G 19/2222; B65D 47/066**  
See application file for complete search history.

(56) **References Cited**

**U.S. PATENT DOCUMENTS**

- D271,052 S \* 10/1983 Qually ..... D21/661
- D331,628 S \* 12/1992 Dodson ..... D21/661
- D352,416 S \* 11/1994 Dutton ..... D7/300.2
- D364,685 S \* 11/1995 Christensen ..... D24/195
- D415,568 S \* 10/1999 Bernd ..... D24/195

- D450,127 S \* 11/2001 Trujillo ..... D24/194
- 6,450,814 B1 \* 9/2002 Brittain ..... A44C 15/0035  
433/215
- D490,637 S \* 6/2004 Diaz ..... D7/300.2
- 6,921,179 B2 \* 7/2005 Diak Ghanem ... A47G 19/2227  
206/217
- D521,646 S \* 5/2006 Mann ..... D24/195
- D577,260 S \* 9/2008 Bodum ..... D7/509
- D592,505 S \* 5/2009 Mobley ..... D7/300.2
- D593,683 S \* 6/2009 Paugas ..... D24/195
- D698,695 S \* 2/2014 Quigless ..... D11/157
- D701,425 S \* 3/2014 Pearson ..... D7/510
- D720,183 S \* 12/2014 Chiang ..... D7/510
- D721,920 S \* 2/2015 Coon ..... D7/510
- D728,311 S \* 5/2015 Eyal ..... D7/510
- D736,034 S \* 8/2015 Spivey ..... D7/510
- D740,073 S \* 10/2015 Zorovich ..... D7/507
- D769,069 S \* 10/2016 Sanbar ..... D7/507

(Continued)

**OTHER PUBLICATIONS**

<https://www.cpsc.gov/Recalls/2016/Ignite-Recalls-Kids-Straw-Tumblers/> Nov. 10, 2015.\*

(Continued)

*Primary Examiner* — Marianne Pandozzi

*Assistant Examiner* — Jae Liang

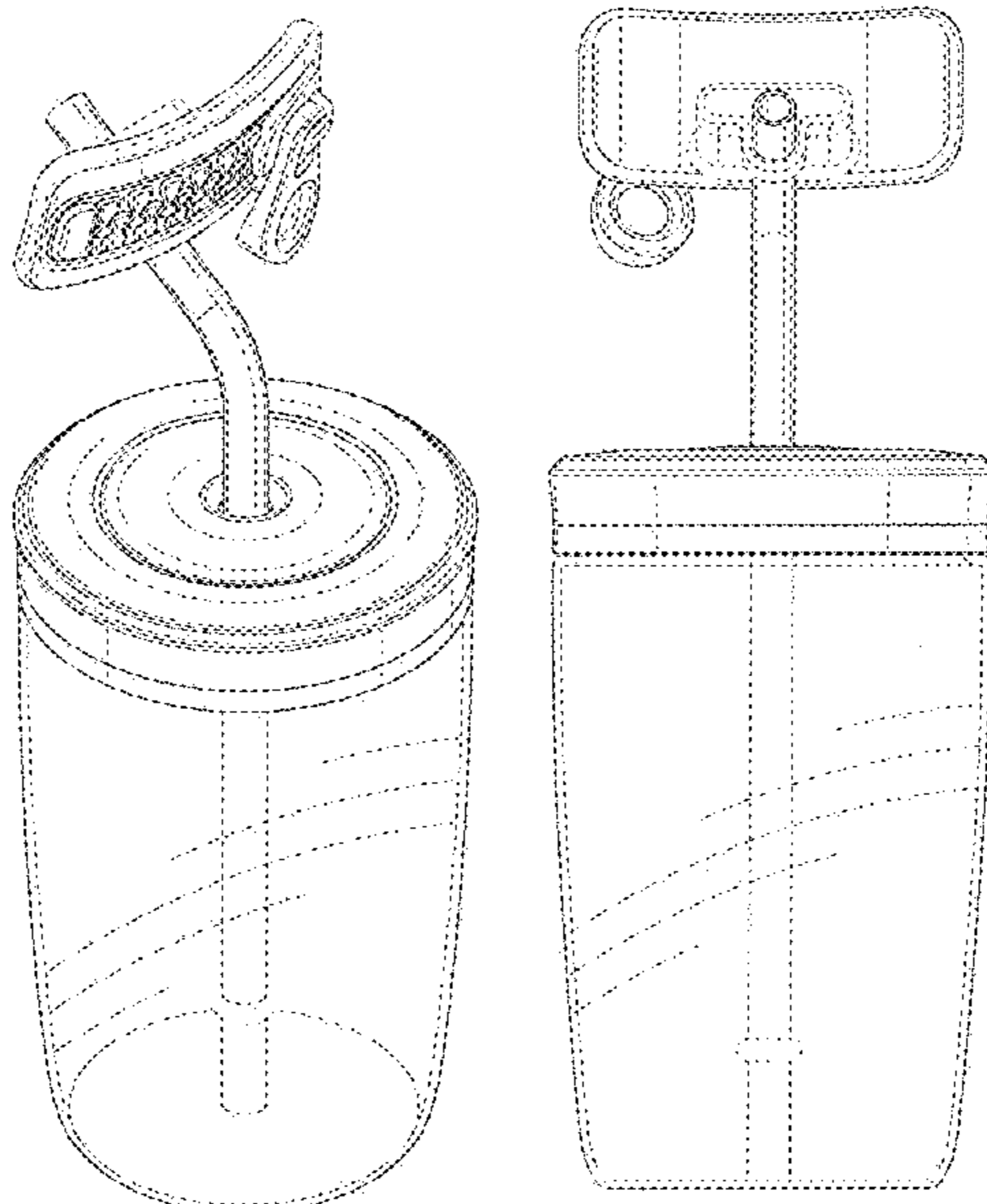
(57) **CLAIM**

The ornamental design for a “tumbler with straw,” as shown and described.

**DESCRIPTION**

FIG. 1 is a perspective view of a tumbler with straw showing our new design; FIG. 2 is a front view thereof; and, FIG. 3 is a rear view thereof. The broken lines in the drawing depict portions of the tumbler with straw that form no part of the claimed design.

**1 Claim, 3 Drawing Sheets**



(56)

**References Cited**

U.S. PATENT DOCUMENTS

2012/0247998 A1\* 10/2012 Wahl ..... B65D 1/265  
206/459.5  
2015/0265078 A1\* 9/2015 Goosman ..... A47G 19/2222  
220/707

OTHER PUBLICATIONS

Design U.S. Appl. No. 29/535,402, filed Aug. 6, 2016 entitled  
“Tumbler with Straw”, Inventor: Marjavis J. Matthis et al.  
Design U.S. Appl. No. 29/535,394, filed Aug. 6, 2015 entitled  
“Tumbler with Straw”, Inventor: Marjavis J. Matthis et al.  
Design U.S. Appl. No. 29/535,410, filed Aug. 6, 2015 entitled  
“Tumbler with Straw”, Inventor: Marjavis J. Matthis et al.  
7 Eleven Slurpee, Tumbler with Straw, on or before Aug. 6, 2015.

\* cited by examiner

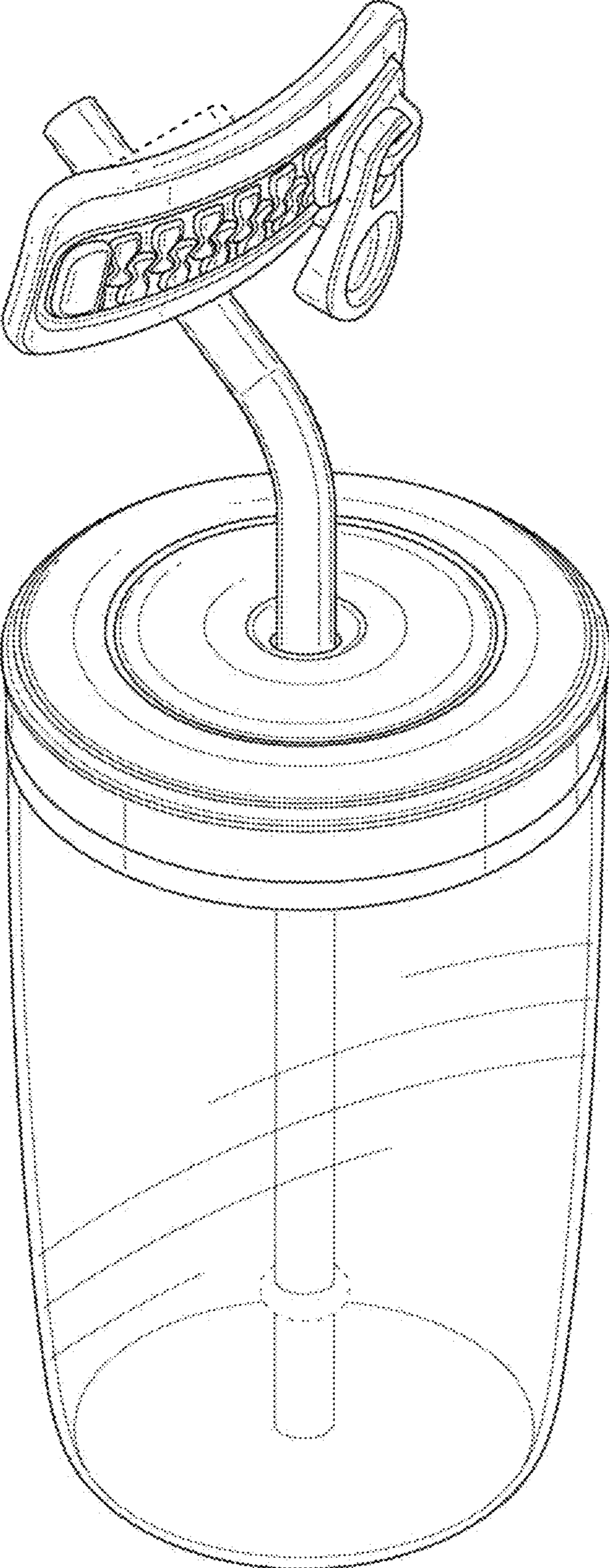


FIG. 1

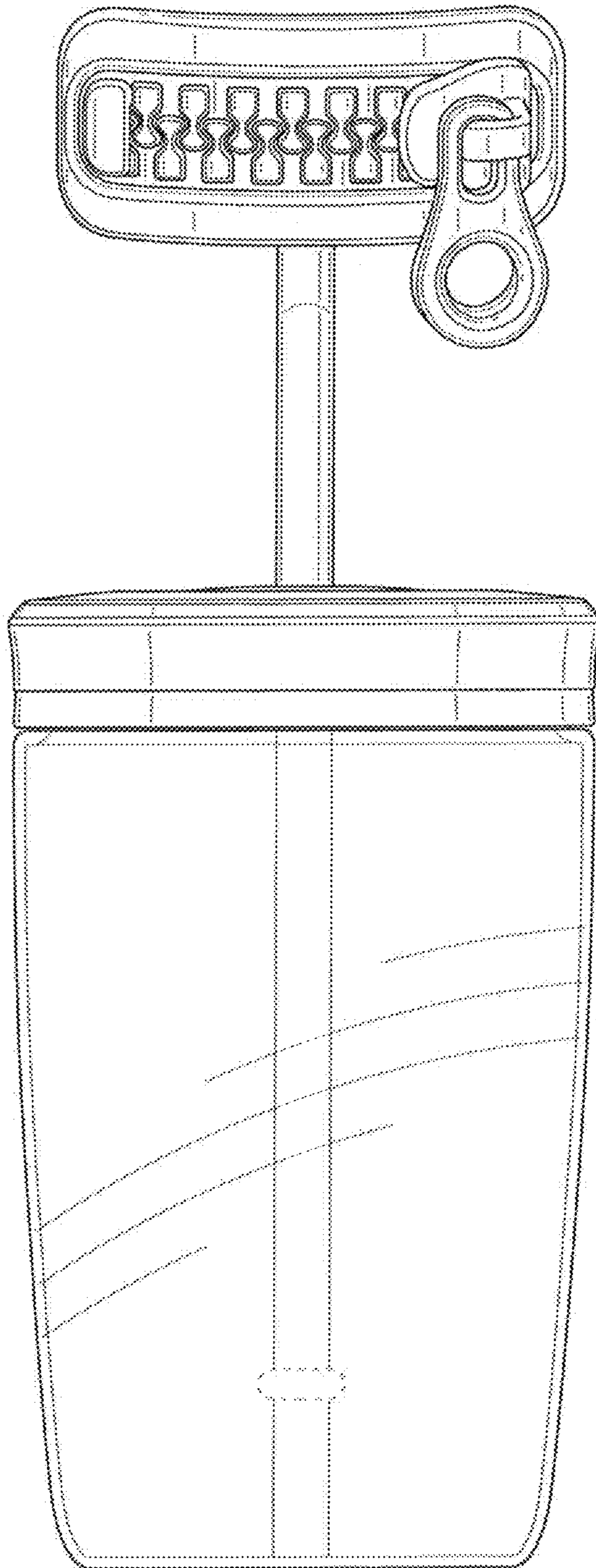


FIG. 2

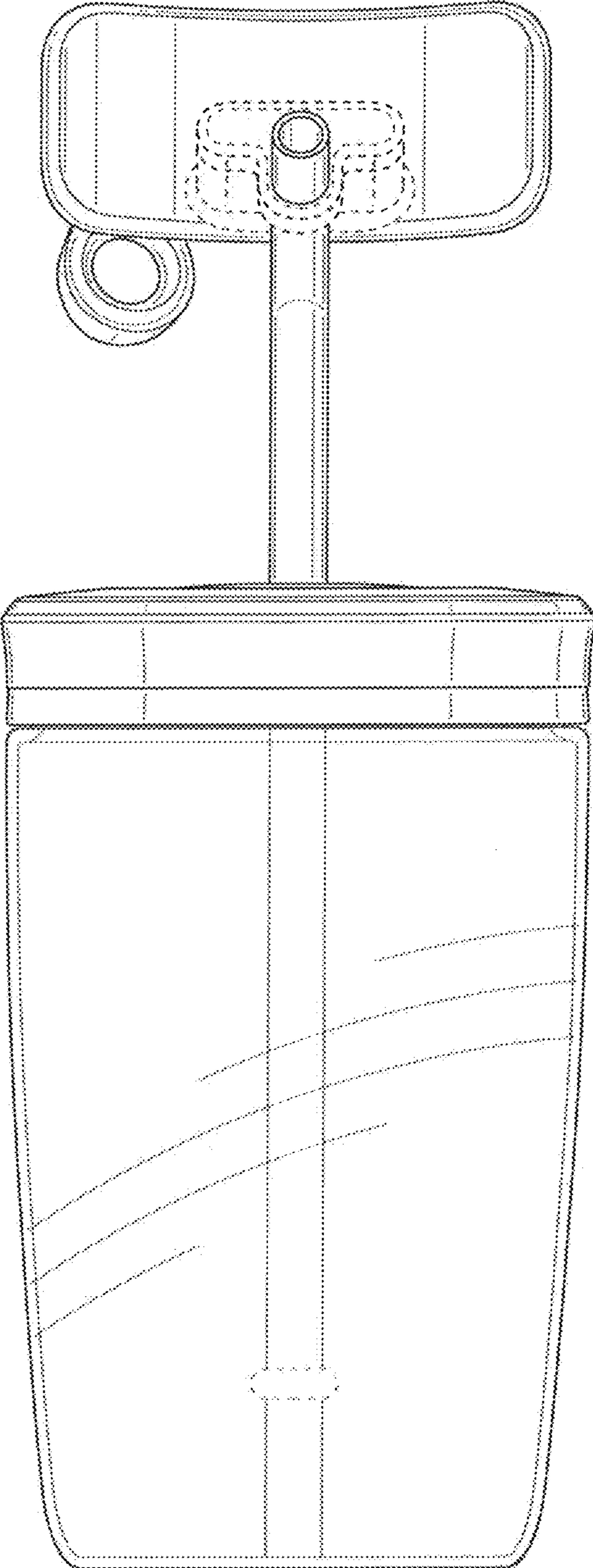


FIG. 3