



US00D782874S

(12) **United States Design Patent** (10) **Patent No.:** **US D782,874 S**
Ross (45) **Date of Patent:** **** Apr. 4, 2017**

(54) **SHAKER CUP MIXING BALL**
(71) Applicant: **Exemplar Design, LLC**, Mason, OH (US)
(72) Inventor: **Adam L. Ross**, Mason, OH (US)
(73) Assignee: **Exemplar Design, LLC**, Mason, OH (US)
(**) Term: **15 Years**
(21) Appl. No.: **29/544,708**
(22) Filed: **Nov. 5, 2015**
(51) **LOC (10) Cl.** **31-00**
(52) **U.S. Cl.**
USPC **D7/412; D7/376; D7/378; D7/383; D7/384**
(58) **Field of Classification Search**
USPC D7/300.2, 372, 376-386, 412-413, 602, D7/629, 665-666, 669, 679, 690-694; D11/121, 125, 128-131; D30/124
CPC A01K 39/0113; A21C 1/02; A21C 1/04; A23N 1/00; A23N 1/02; A47J 43/04; A47J 43/25; A47J 43/27; A47J 43/042; A47J 43/044; A47J 43/046; A47J 43/075; A47J 43/0722; A47J 43/0727; A63F 9/12; B01F 3/00; B01F 3/0807; B01F 3/0853; B01F 13/002; B01F 13/0059; B01F 13/0064; B02C 1/08; B02C 2/04; B02C 4/42; B02C 4/142; B02C 4/143; B02C 4/423; B02C 13/1835; B28C 5/10; B28C 5/12; B28C 5/14; B28C 5/16; G09F 19/00

See application file for complete search history.

(56) **References Cited**

U.S. PATENT DOCUMENTS

3,800,442 A *	4/1974	Petrocelli	A63F 9/12 273/155
D294,012 S *	2/1988	Patricko	D11/123
D294,128 S *	2/1988	Patricko	D11/129
D356,753 S *	3/1995	Mack	D11/121
D432,453 S *	10/2000	Franzen	D11/131
6,379,032 B1 *	4/2002	Sorensen	B01F 13/002 366/130
D488,339 S *	4/2004	Lee	D7/300.2
D498,701 S *	11/2004	Libuda	D11/125
D527,959 S *	9/2006	Fung	D7/690
7,354,225 B1 *	4/2008	Cohen	G09F 19/00 40/645
D705,499 S *	5/2014	Zamarripa	D30/124
2013/0305993 A1 *	11/2013	Lush	A01K 39/0113 119/51.01

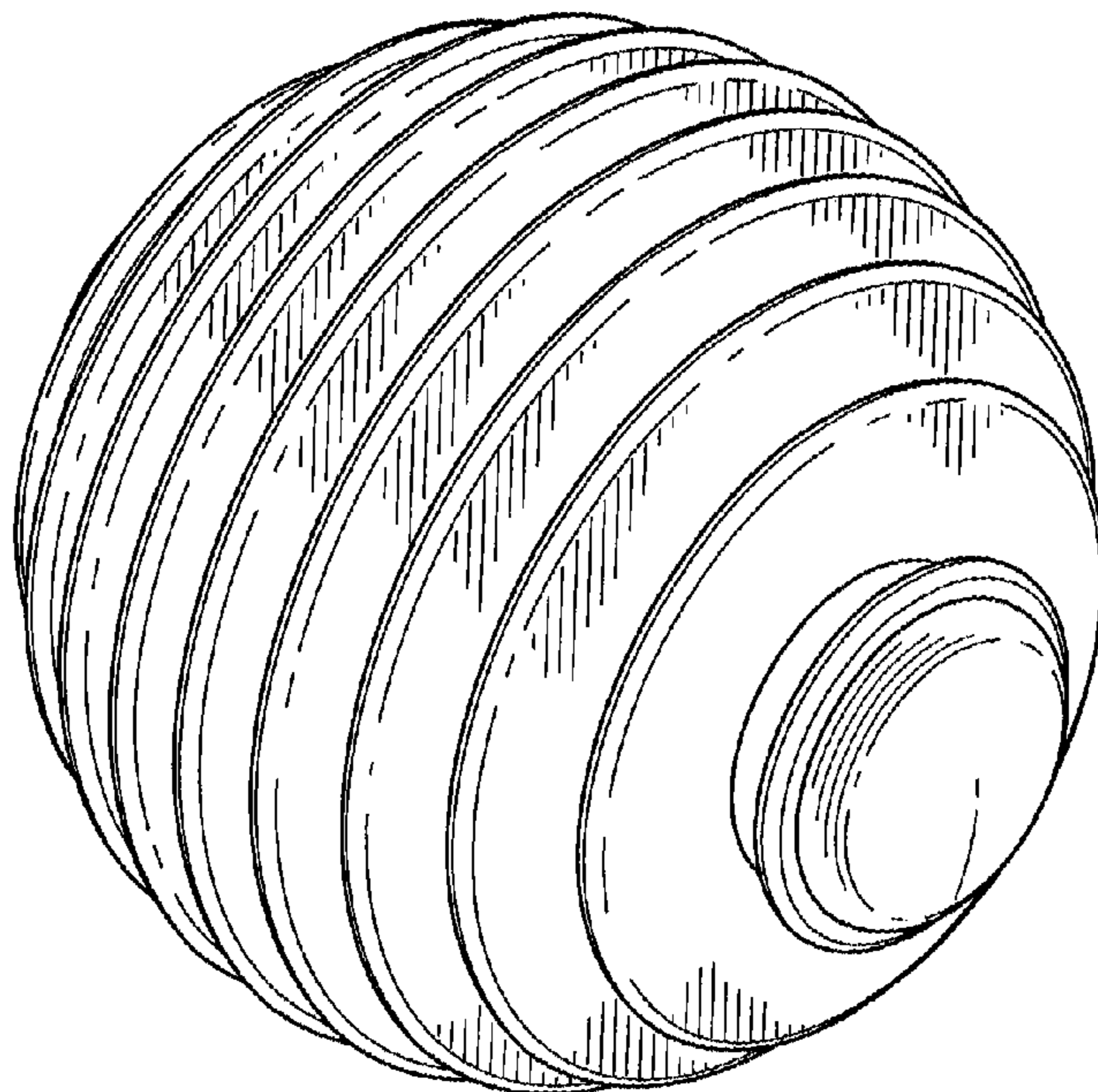
* cited by examiner
Primary Examiner — Ricky Pham
(74) *Attorney, Agent, or Firm* — Baker & Hostetler LLP

(57) **CLAIM**
I claim the ornamental design for a shaker cup mixing ball, as shown and described herein.

DESCRIPTION

FIG. 1 is a perspective view of the shaker cup mixing ball showing my new design;
FIG. 2 is a front view thereof;
FIG. 3 is a back view thereof;
FIG. 4 is a left side elevation view thereof;
FIG. 5 is a right side elevation view thereof;
FIG. 6 is a top plan view thereof; and,
FIG. 7 is a bottom plan view thereof.

1 Claim, 4 Drawing Sheets



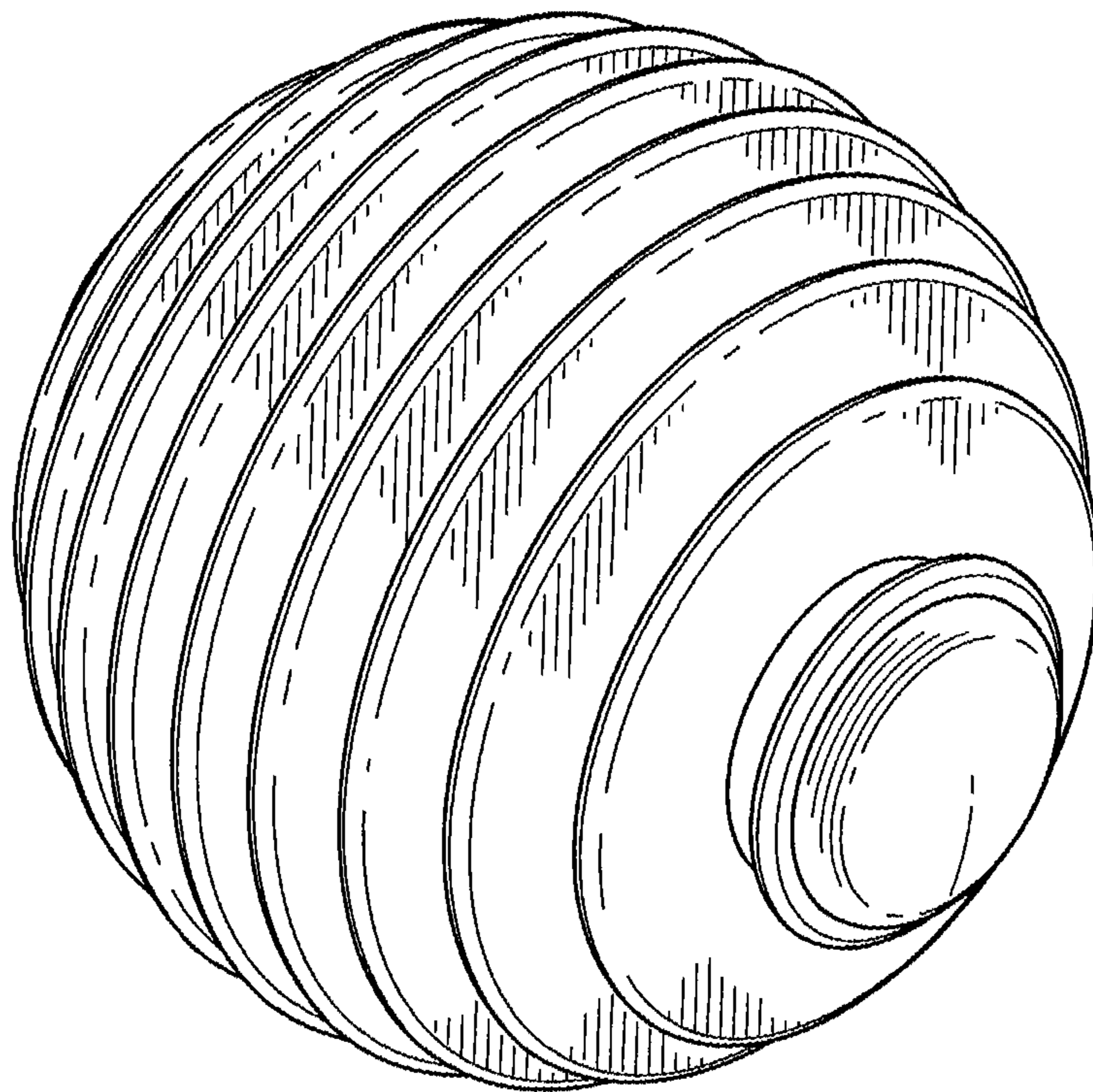


FIG. 1

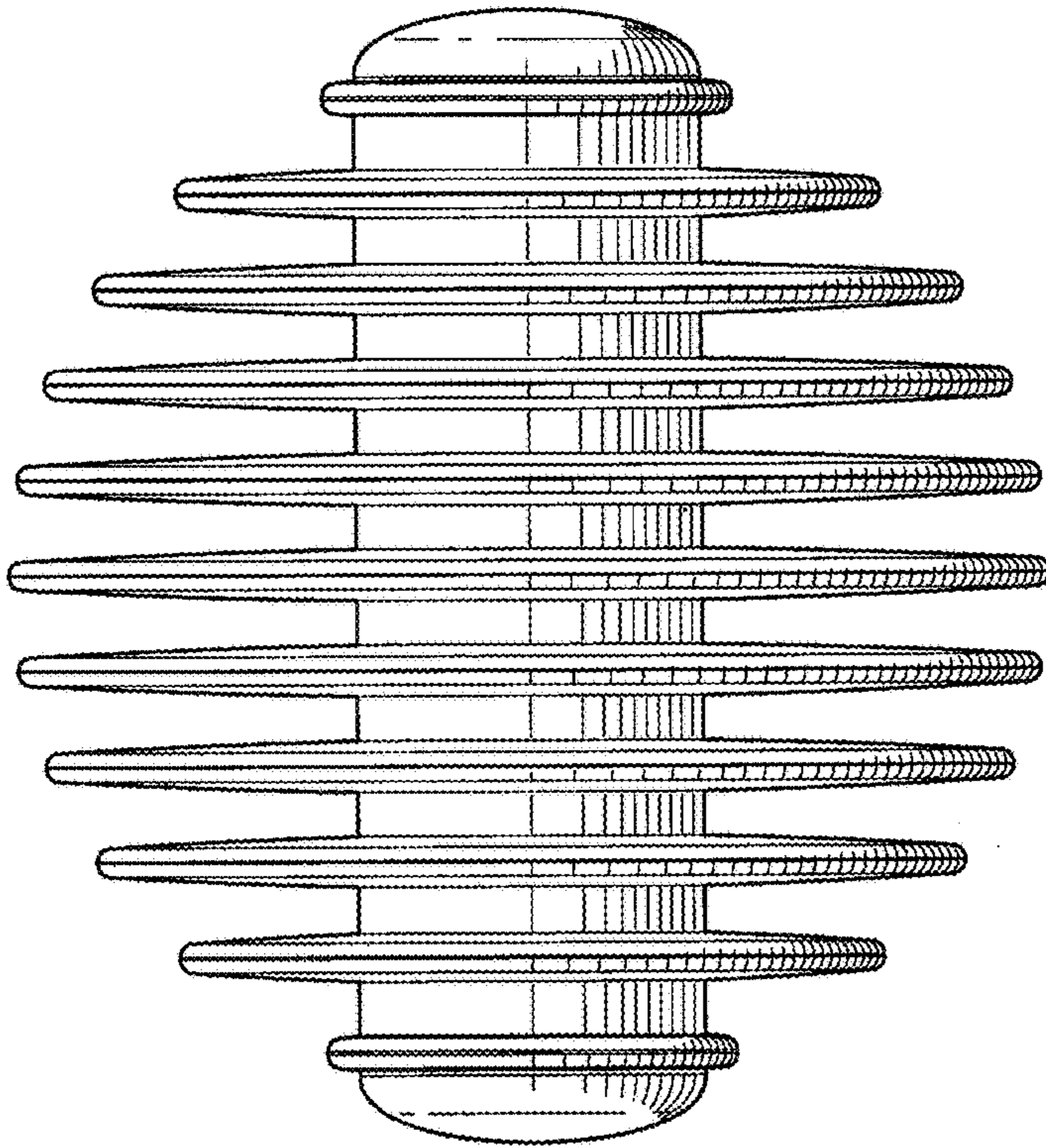


FIG. 2

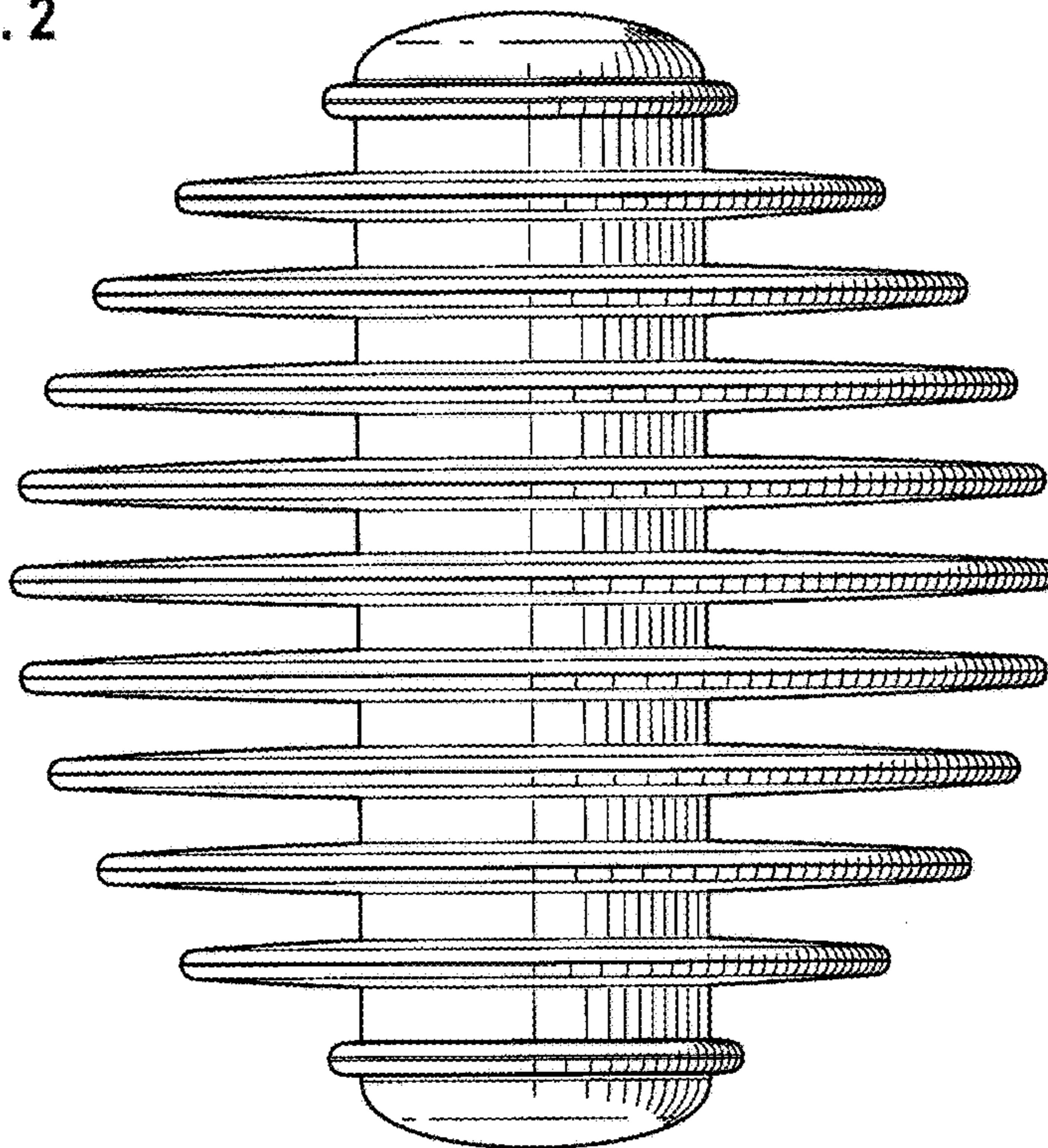


FIG. 3

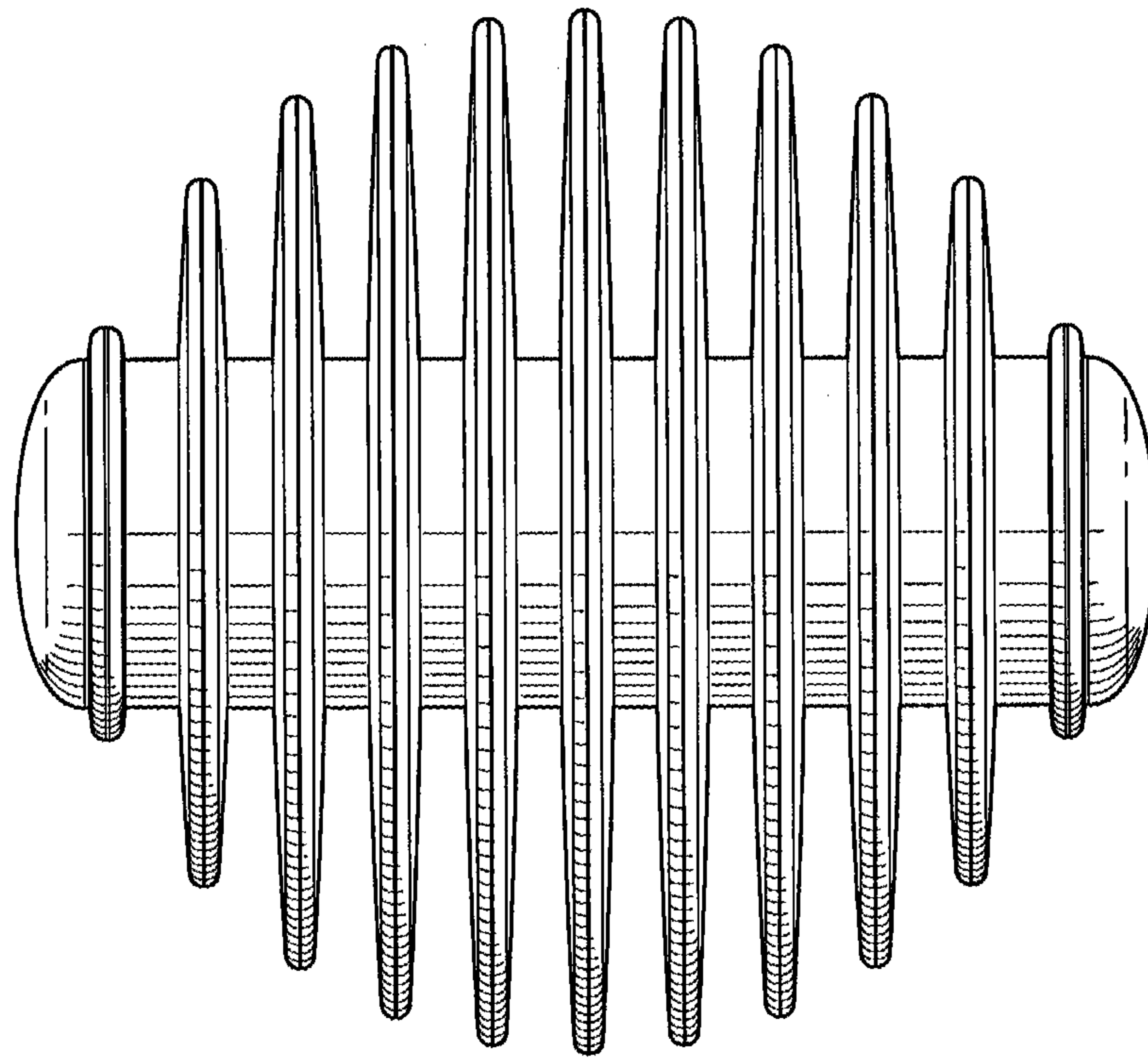


FIG. 4

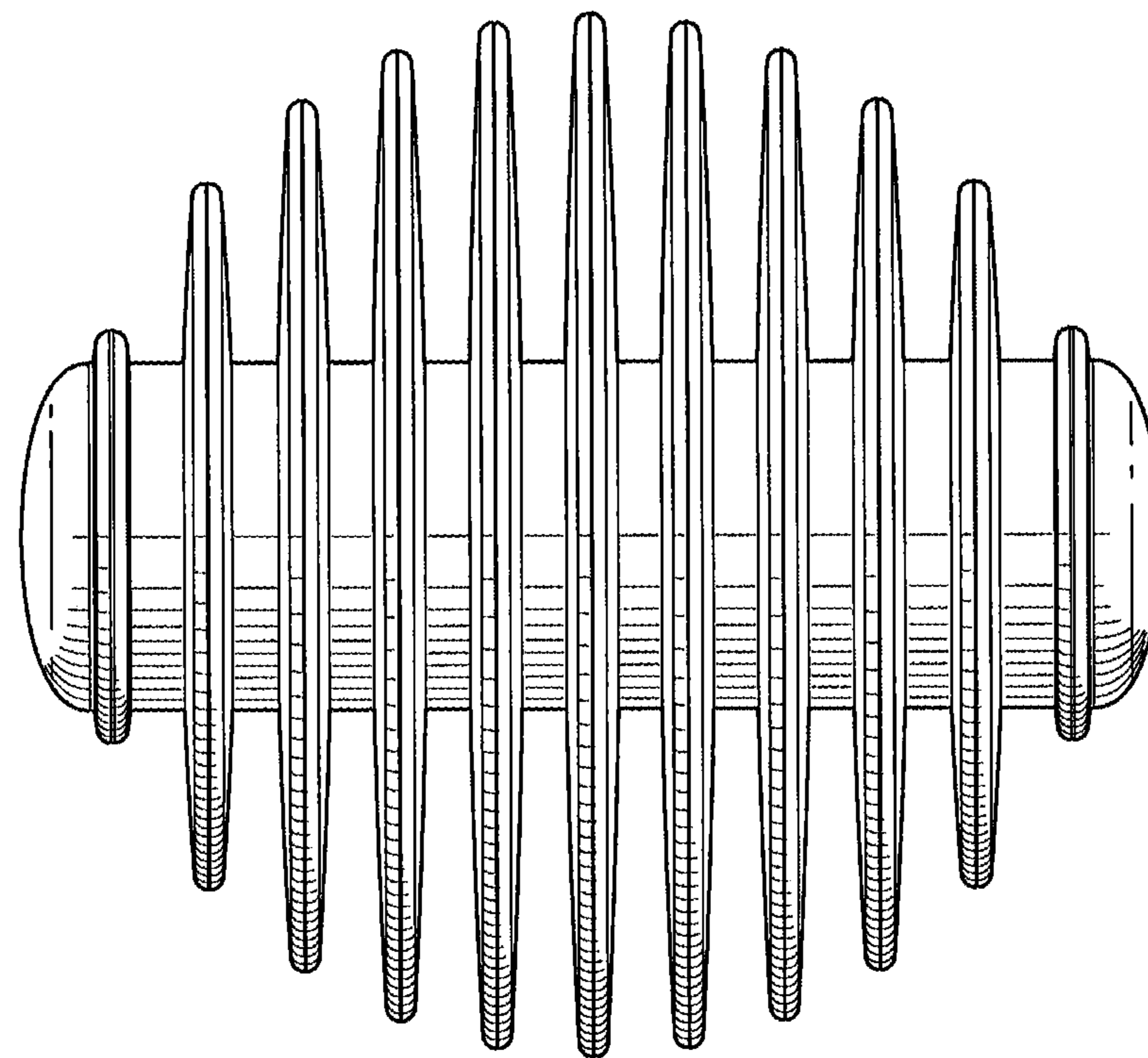


FIG. 5

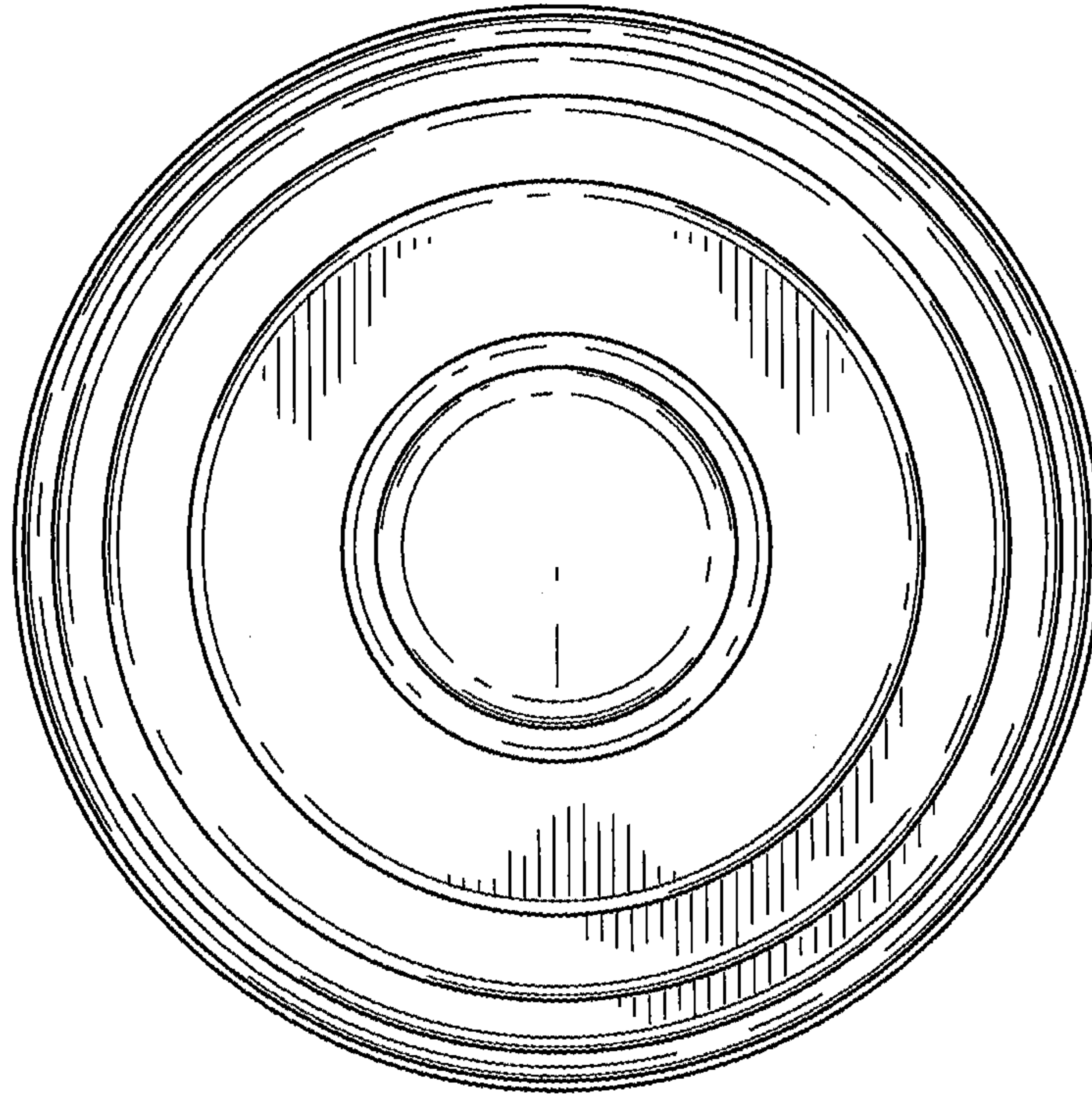


FIG. 6

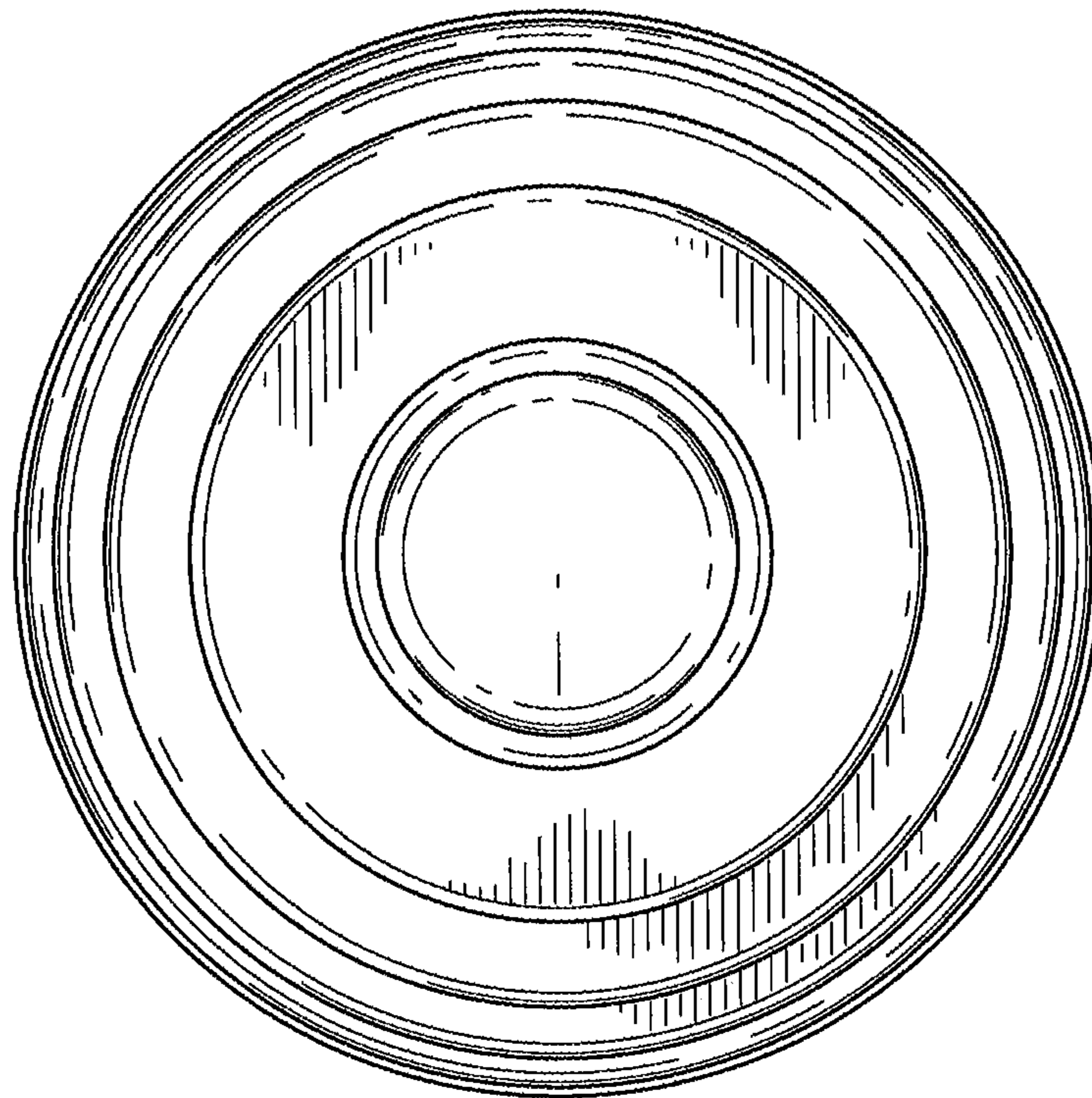


FIG. 7