



US00D782872S

(12) **United States Design Patent**
Cho et al.

(10) **Patent No.:** **US D782,872 S**

(45) **Date of Patent:** **** Apr. 4, 2017**

(54) **GAS OVEN RANGE**

(71) Applicant: **LG ELECTRONICS INC.**, Seoul (KR)

(72) Inventors: **Sangwoog Cho**, Seoul (KR); **Sooyeon Kim**, Seoul (KR); **Jaehun Chung**, Seoul (KR); **Gilsu Jung**, Seoul (KR)

(73) Assignee: **LG Electronics Inc.**, Seoul (KR)

(**) Term: **15 Years**

(21) Appl. No.: **29/529,145**

(22) Filed: **Jun. 4, 2015**

(30) **Foreign Application Priority Data**

Dec. 29, 2014 (KR) 30-2014-0063823

(51) **LOC (10) Cl.** **07-02**

(52) **U.S. Cl.**
USPC **D7/406**

(58) **Field of Classification Search**
USPC D7/332-351, 362-367, 402-409;
D23/415; D20/10; D3/7
CPC F24C 3/00; F24C 3/08; F24C 3/008; F24C
15/00; F24C 15/0001
See application file for complete search history.

(56) **References Cited**

U.S. PATENT DOCUMENTS

D495,557 S * 9/2004 Shin F24C 15/107
D7/346
D547,109 S * 7/2007 Tseng D7/334

D654,758 S * 2/2012 Thimm D7/334
D657,183 S * 4/2012 May D7/334
D694,056 S * 11/2013 Dahle D7/334
D745,310 S * 12/2015 Funnell, II D7/349
D750,414 S * 3/2016 Funnell, II D7/348
D763,617 S * 8/2016 Kim D7/339

* cited by examiner

Primary Examiner — Sheryl Lane

Assistant Examiner — Nicole Shiflet

(74) *Attorney, Agent, or Firm* — Morgan, Lewis & Bockius LLP

(57) **CLAIM**

We claim the ornamental design for a gas oven range, as shown and described.

DESCRIPTION

FIG. 1 is a perspective view of a gas oven range showing our new design;
FIG. 2 is a front elevation view thereof;
FIG. 3 is a rear elevation view thereof;
FIG. 4 is a left-side elevation view thereof;
FIG. 5 is a right-side elevation view thereof;
FIG. 6 is a top plan view thereof; and,
FIG. 7 is a bottom plan view thereof.
The broken lines in the drawing figures are included for the purpose of illustrating environment and form no part of the claimed design.

1 Claim, 6 Drawing Sheets

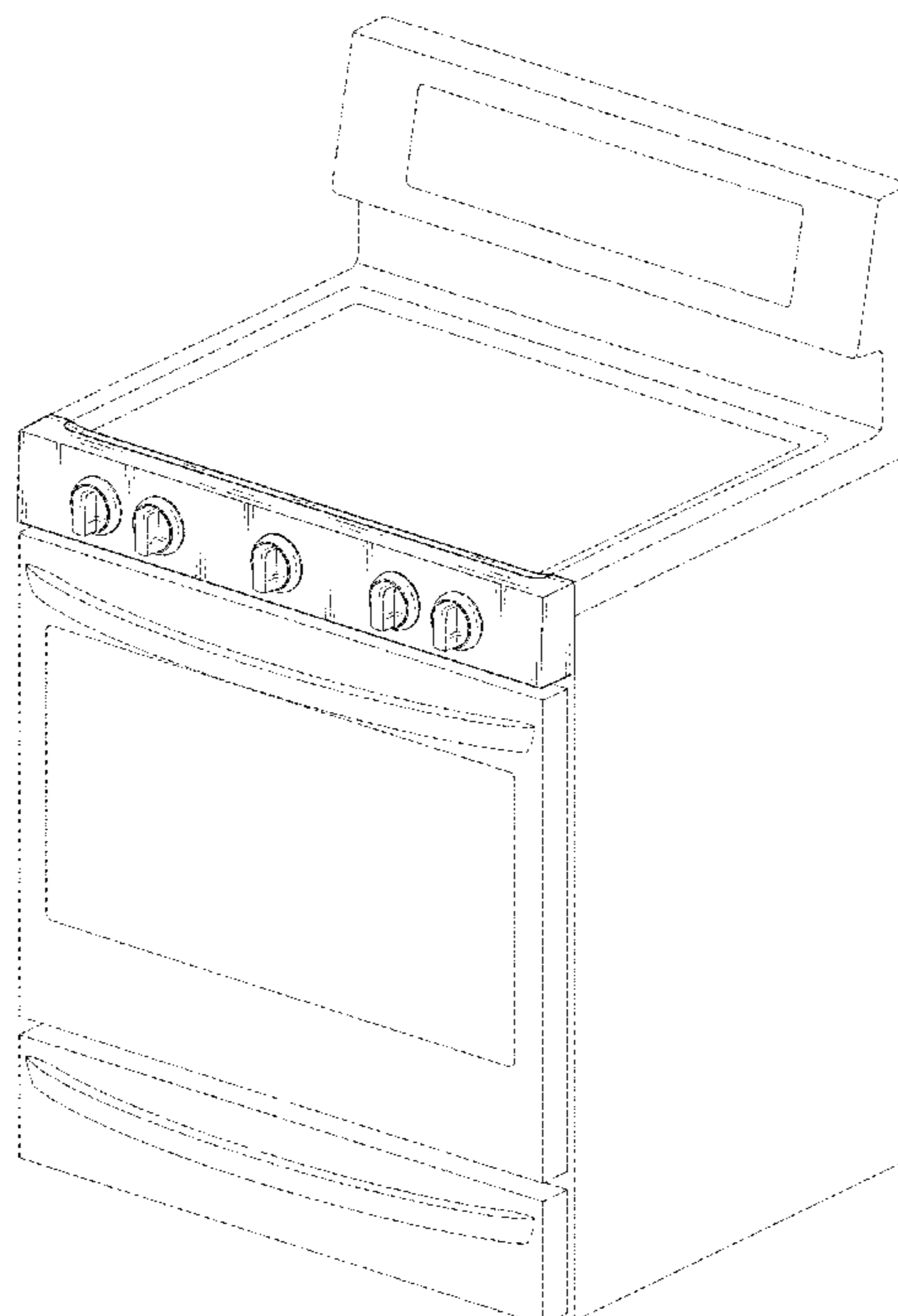


FIG. 1

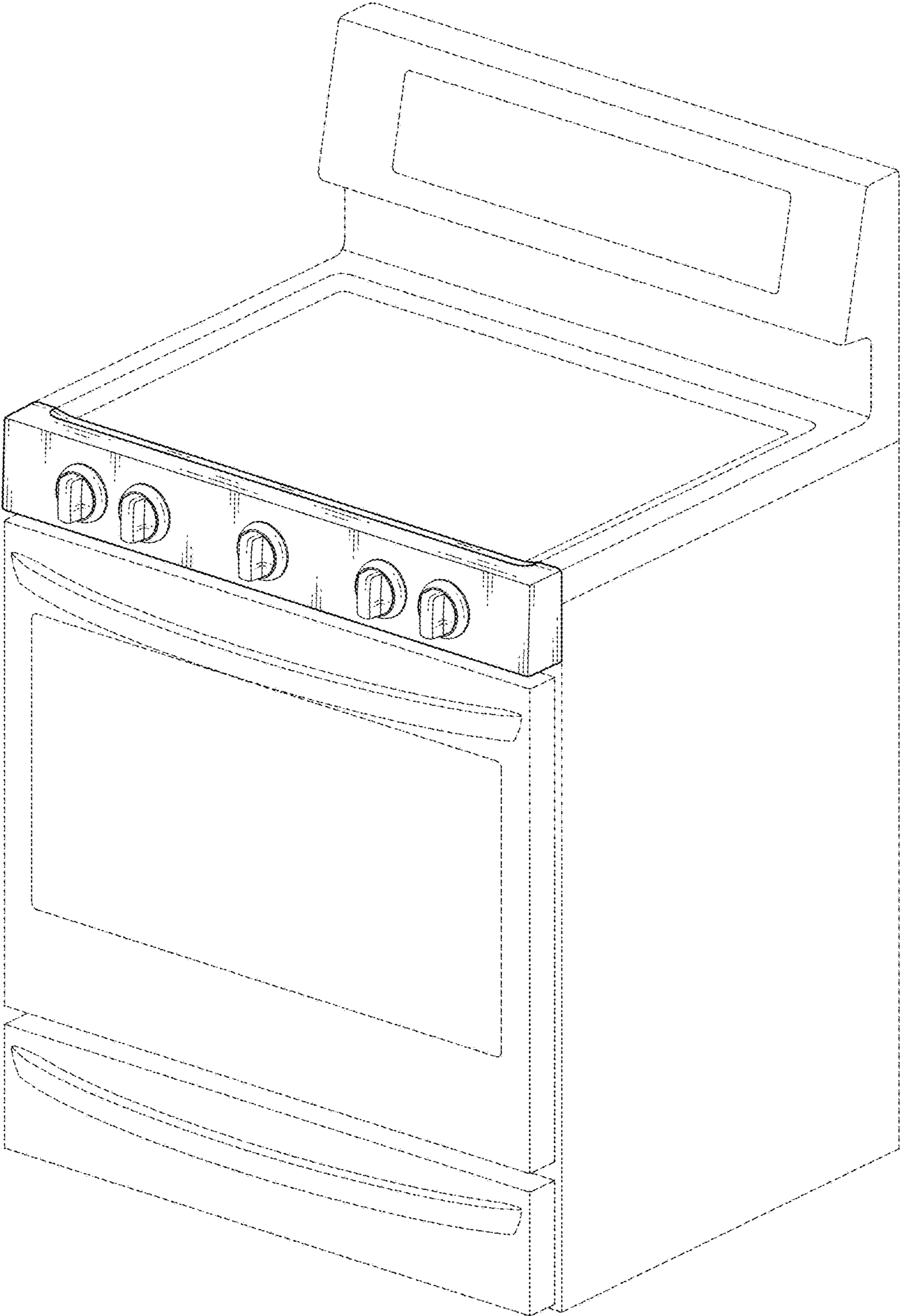


FIG. 2

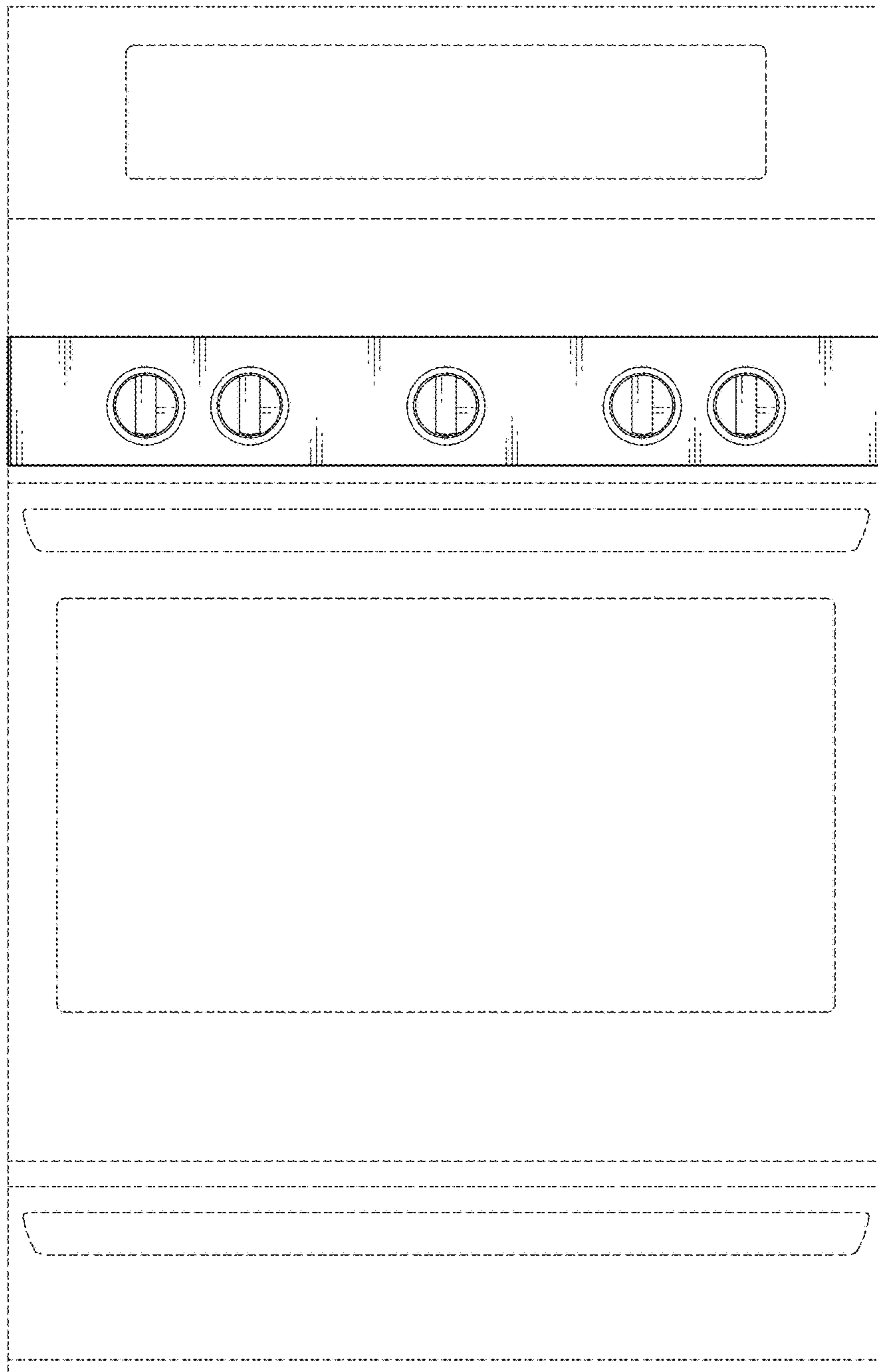


FIG. 3



FIG. 4

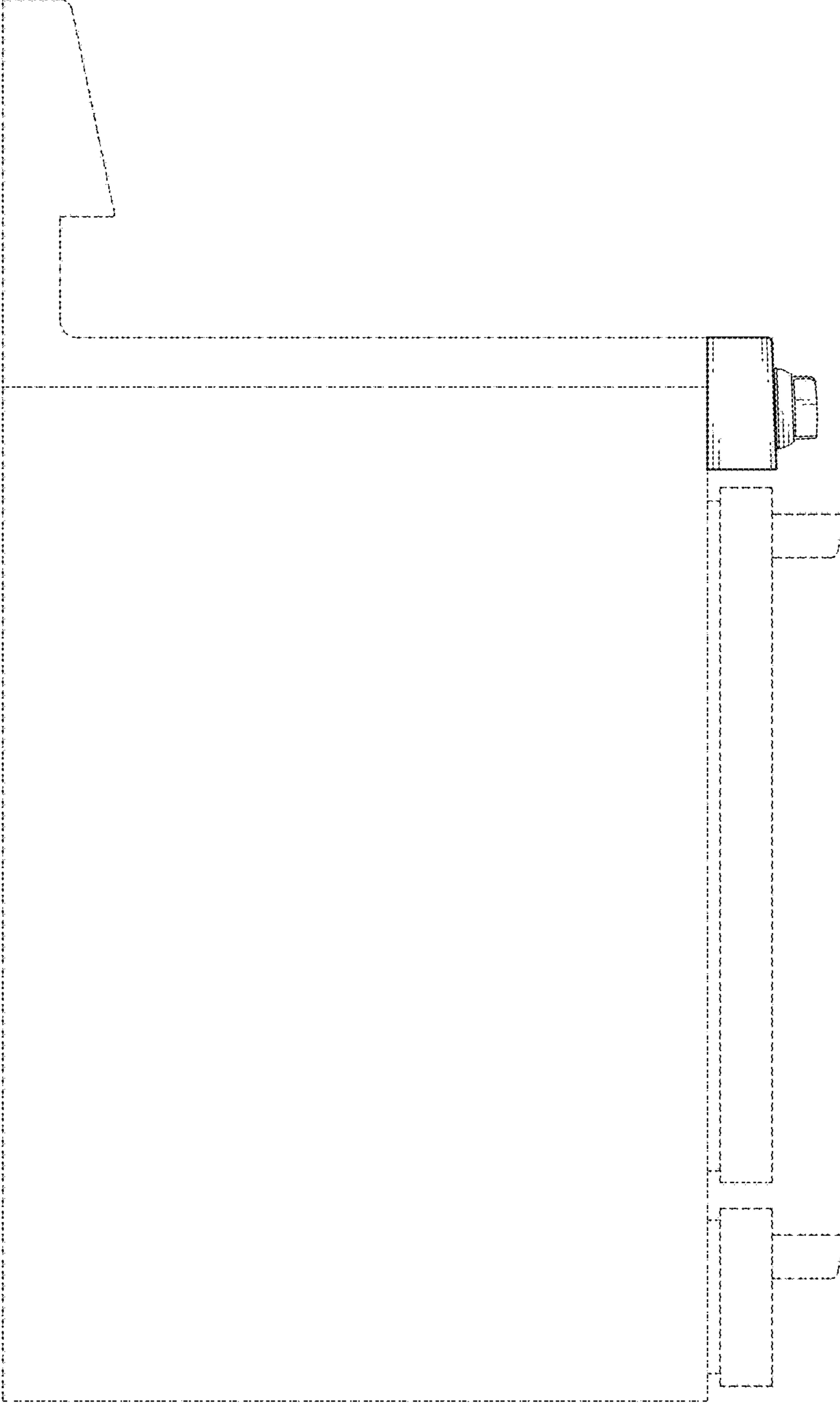


FIG. 5

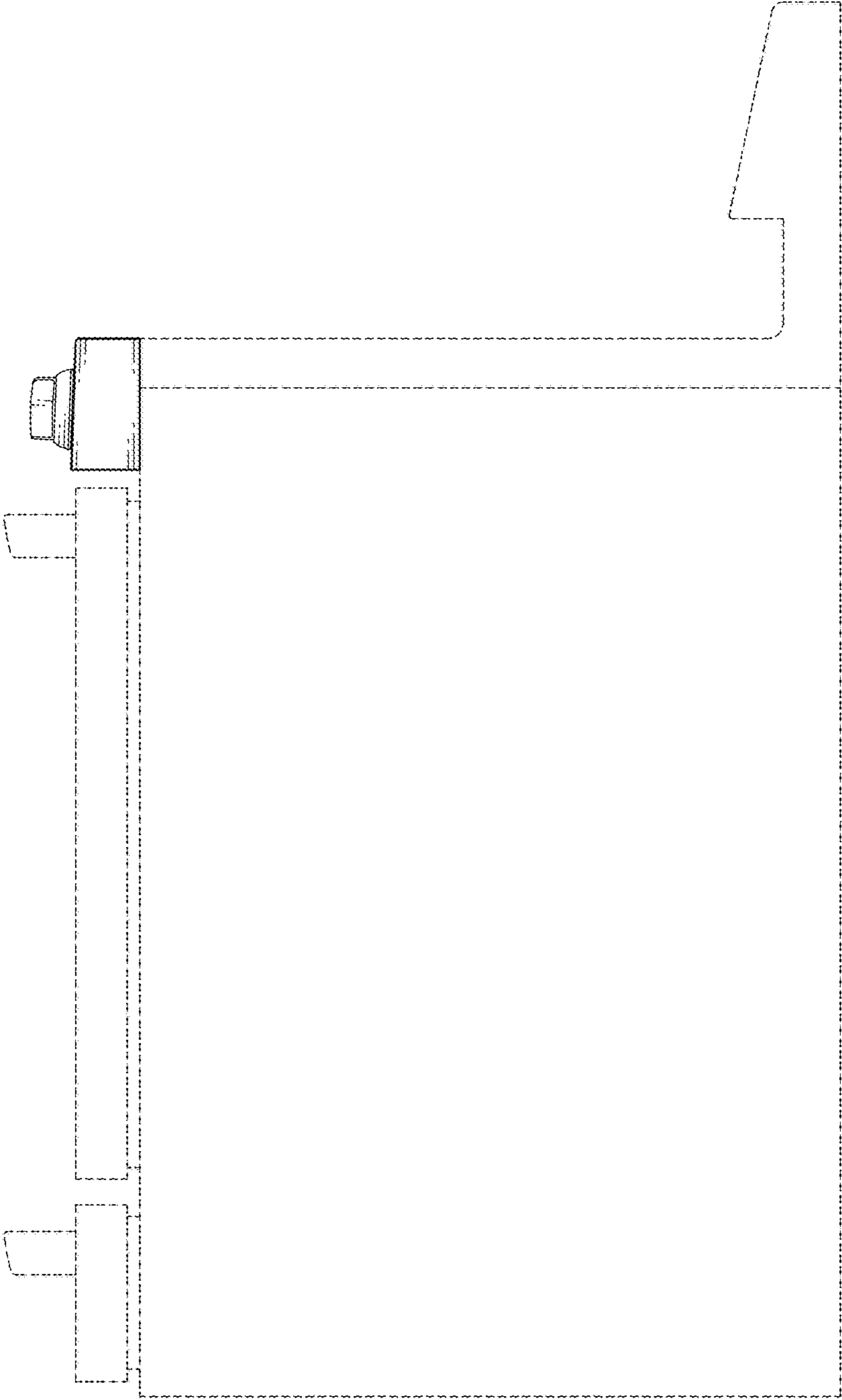


FIG. 6

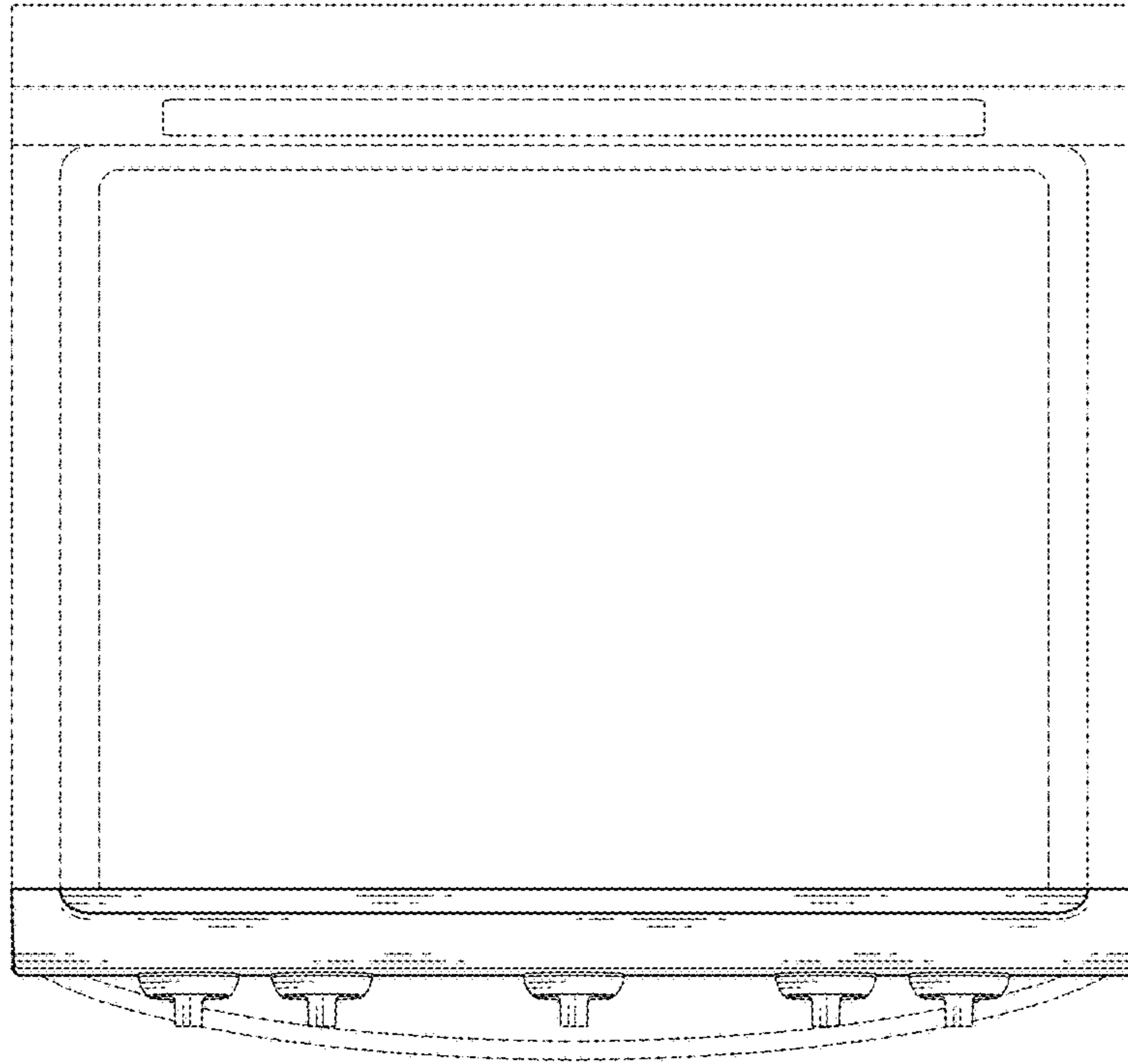


FIG. 7

