



US00D782868S

(12) **United States Design Patent**
Lien

(10) **Patent No.:** **US D782,868 S**

(45) **Date of Patent:** **** Apr. 4, 2017**

(54) **COFFEE POT HOLDER**

(71) Applicant: **I-Chi Steven Lien**, Tsuen Wan (HK)

(72) Inventor: **I-Chi Steven Lien**, Tsuen Wan (HK)

(73) Assignee: **GAINEX INTERNATIONAL LIMITED**, Tsuen Wan, New Territories (HK)

(**) Term: **15 Years**

(21) Appl. No.: **29/526,998**

(22) Filed: **May 14, 2015**

(51) **LOC (10) Cl.** **07-99**

(52) **U.S. Cl.**
USPC **D7/388**; D7/397; D7/399; D7/367;
D7/403; D14/125

(58) **Field of Classification Search**
USPC D7/538, 363, 387, 388, 389, 403, 397,
D7/552.2, 554.3, 550.1, 601, 619.1, 620,
D7/698, 624.1, 399, 367; D14/125, 447,
D14/446; D19/92; D18/56; D3/205,
D3/212; D28/83, 86
CPC A47J 45/10; A47J 37/07; A45C 13/00;
A45C 13/1084; F24C 2/10; B42D 5/43;
A45D 27/18
See application file for complete search history.

(56) **References Cited**

U.S. PATENT DOCUMENTS

D248,974 S *	8/1978	Ballereaud	D28/78
D273,427 S *	4/1984	Barradas	D28/38
D277,420 S *	1/1985	Bakic	D28/83
D281,913 S *	12/1985	Bakic	D28/83
D297,701 S *	9/1988	Nakagawa	D7/363
D340,541 S *	10/1993	Chen	D28/83
5,280,152 A *	1/1994	Lee	F24C 7/10 219/452.13

D366,183 S *	1/1996	Sintchak	D7/388
5,638,838 A *	6/1997	Lombardi	A45C 13/005 132/294
D434,600 S *	12/2000	Garcia	D7/388
6,684,460 B2 *	2/2004	Cuff	A47J 45/10 16/431
D505,752 S *	5/2005	Martinez	D28/83
D585,395 S *	1/2009	Cho	D14/125
D638,385 S *	5/2011	Wong	D14/125
D638,811 S *	5/2011	McMiller	D14/125
D642,999 S *	8/2011	Wan	D14/125
D664,994 S *	8/2012	Akana	D14/203.3
D684,976 S *	6/2013	Akana	D14/433
D692,921 S *	11/2013	Akana	D14/203.3
D716,304 S *	10/2014	Orthey	D14/385

* cited by examiner

Primary Examiner — Marianne Pandozzi

(74) *Attorney, Agent, or Firm* — Egbert Law Offices, PLLC

(57) **CLAIM**

The ornamental design for a coffee pot holder, as shown and described.

DESCRIPTION

FIG. 1 is a front perspective view of a coffee pot holder showing my new design.

FIG. 2 is a front view thereof;

FIG. 3 is a rear view thereof;

FIG. 4 is a side view thereof;

FIG. 5 is an opposite side view thereof;

FIG. 6 is a top view thereof;

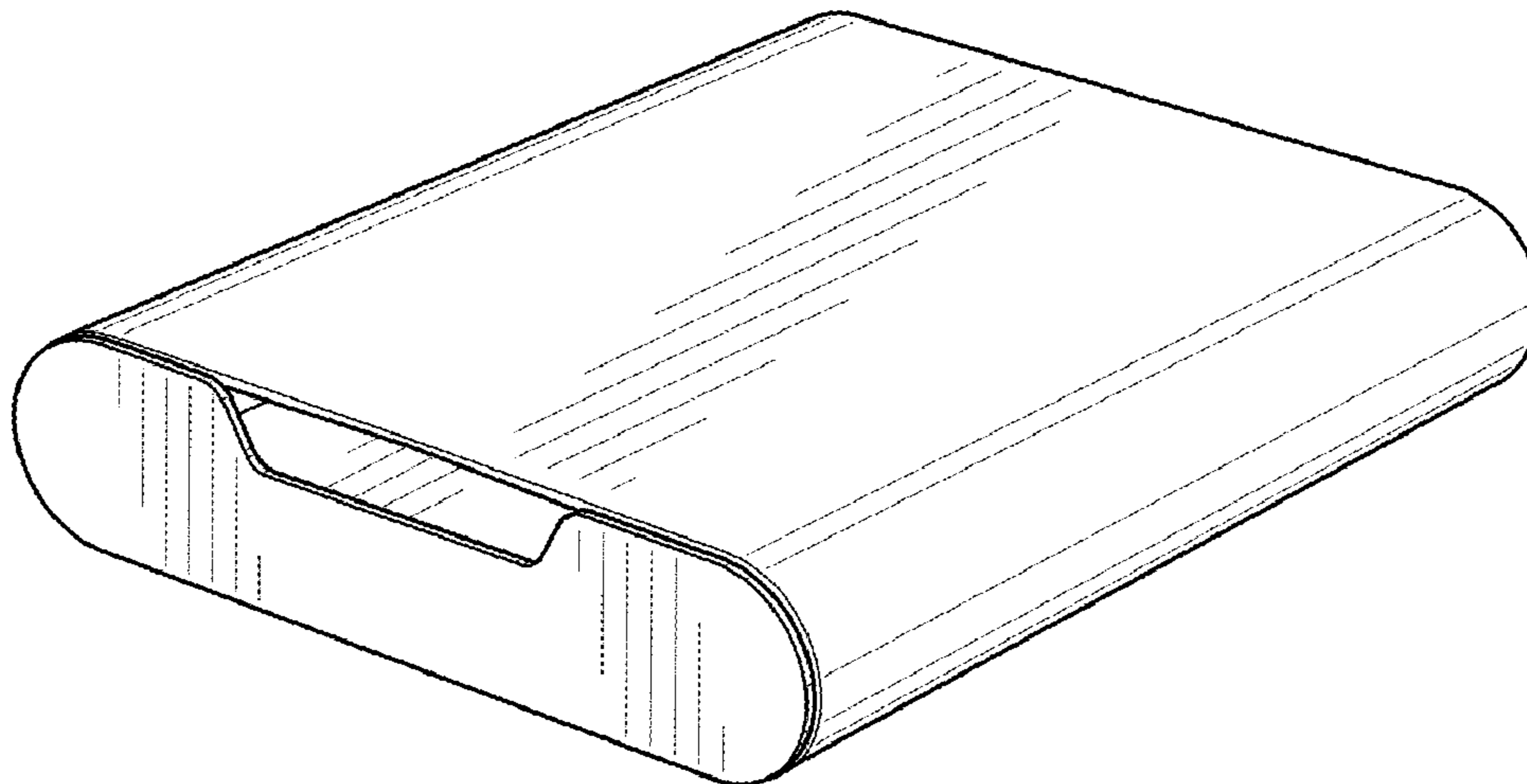
FIG. 7 is a bottom view thereof;

FIG. 8 is a rear perspective view thereof; and,

FIG. 9 is front perspective view of the coffee pot holder in an opened state.

The broken lines in the drawing depict portions of the coffee pot holder that form no part of the claimed design.

1 Claim, 3 Drawing Sheets



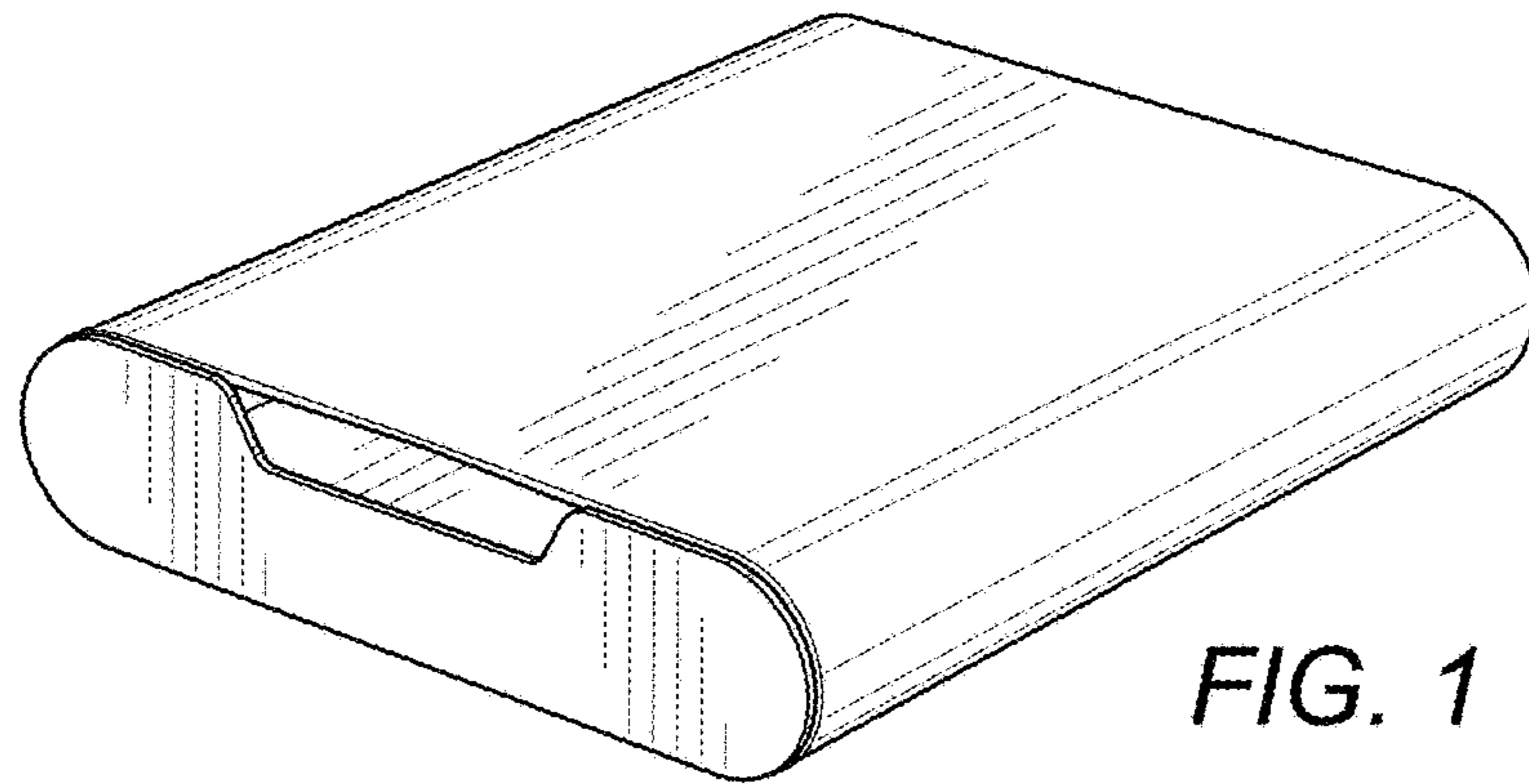


FIG. 1

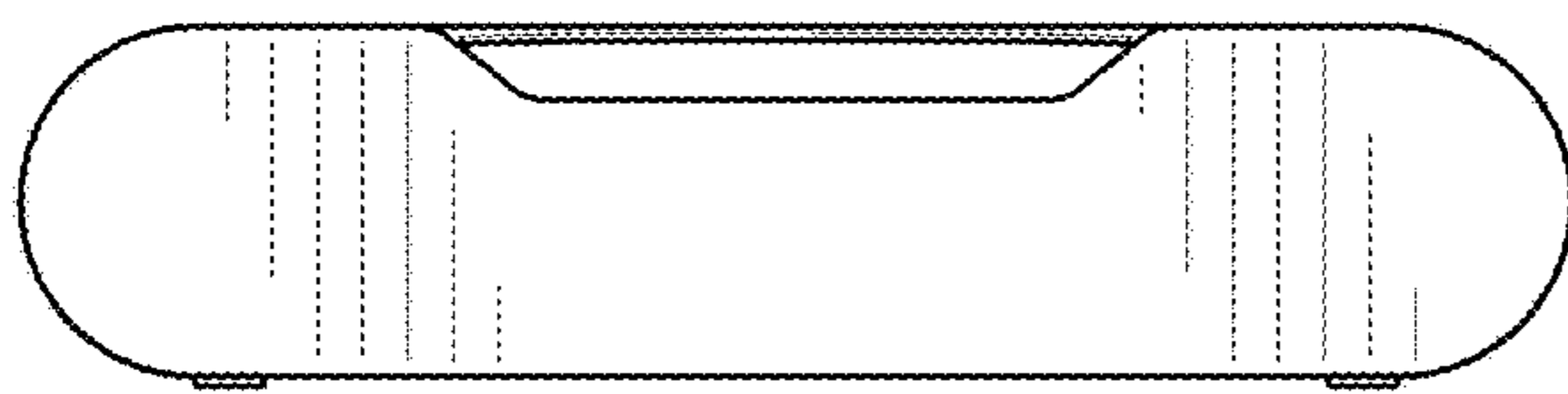


FIG. 2

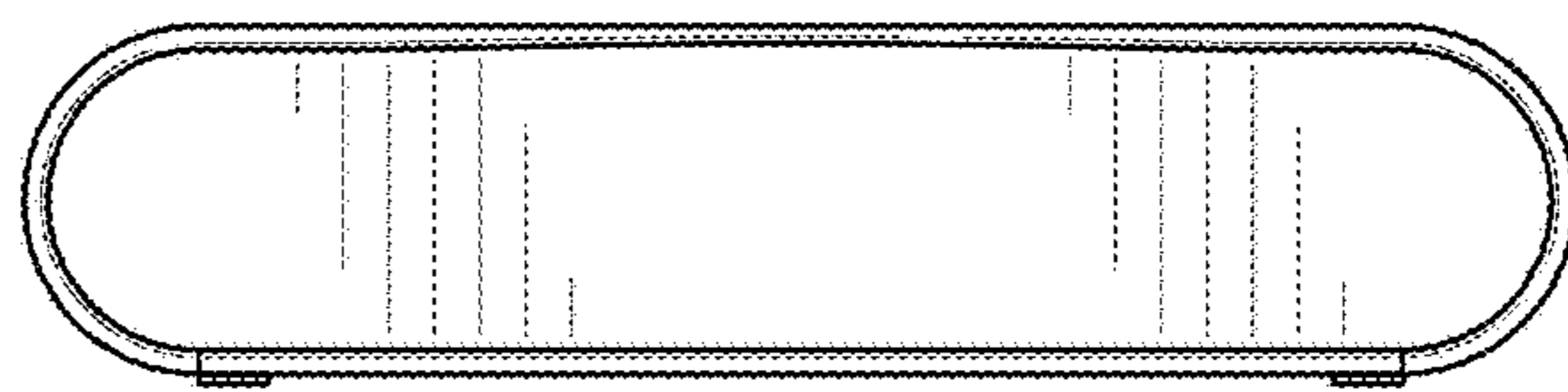


FIG. 3

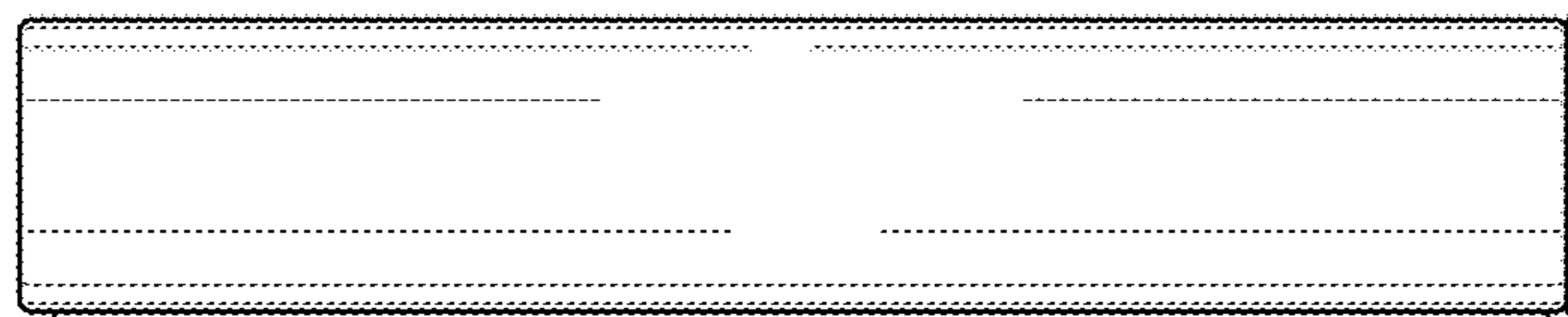


FIG. 4

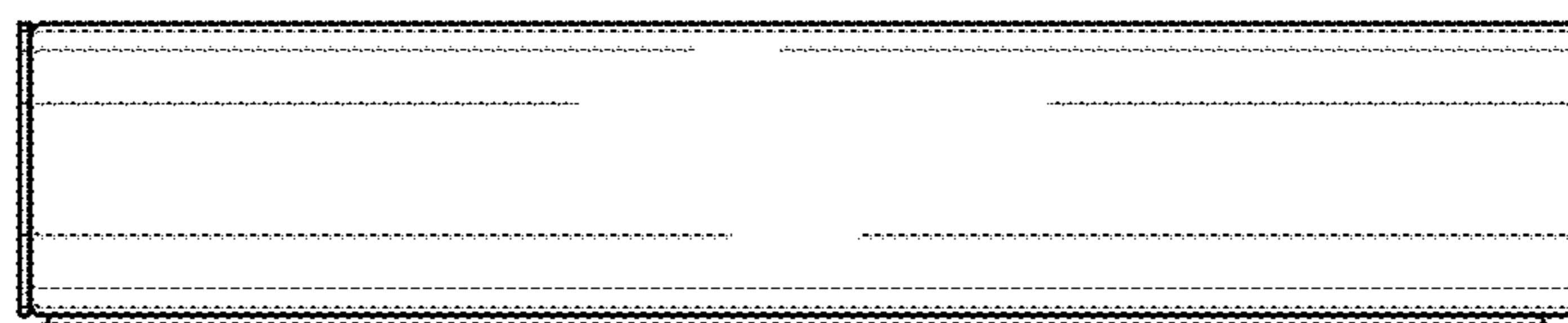


FIG. 5



FIG. 6

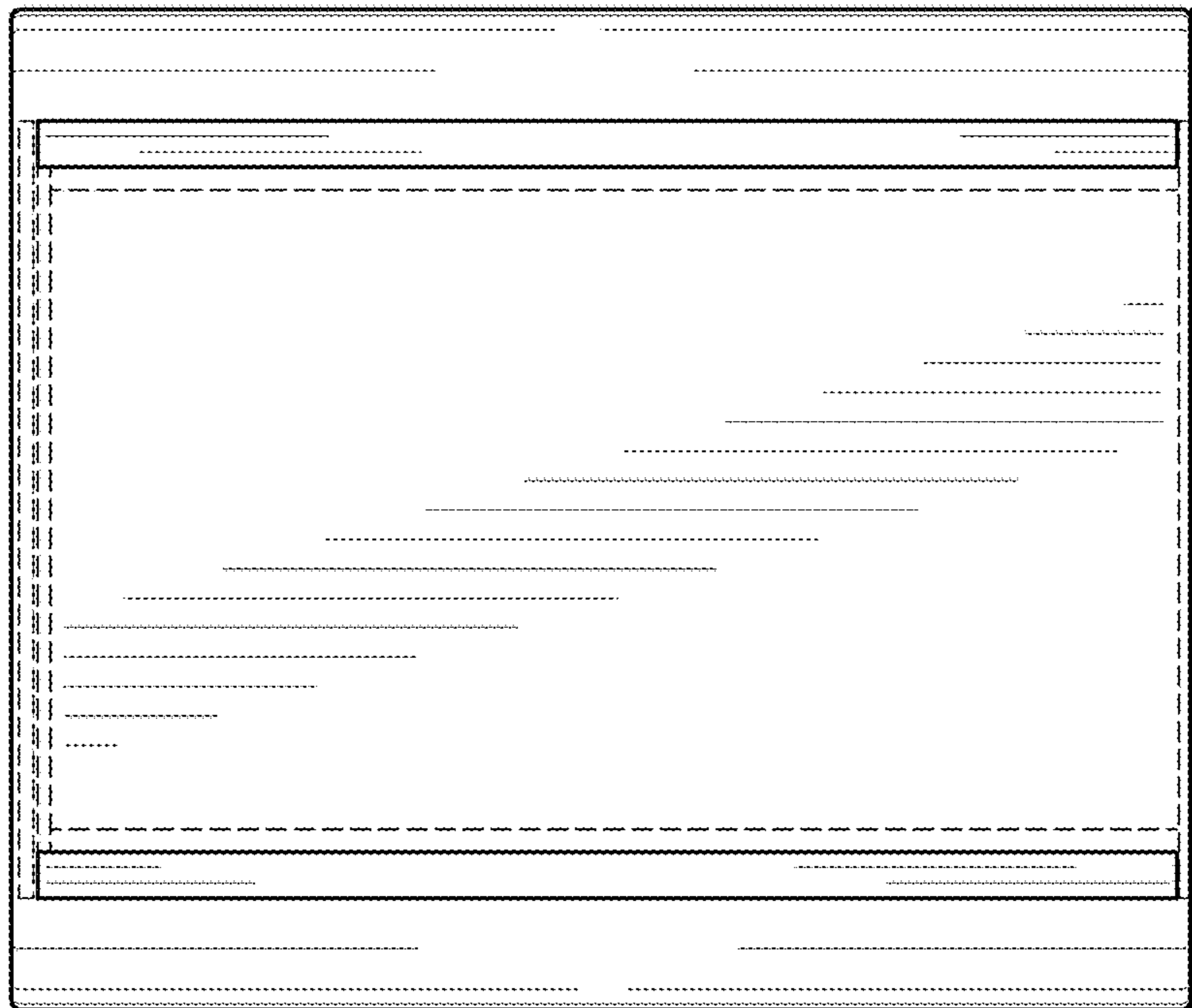


FIG. 7

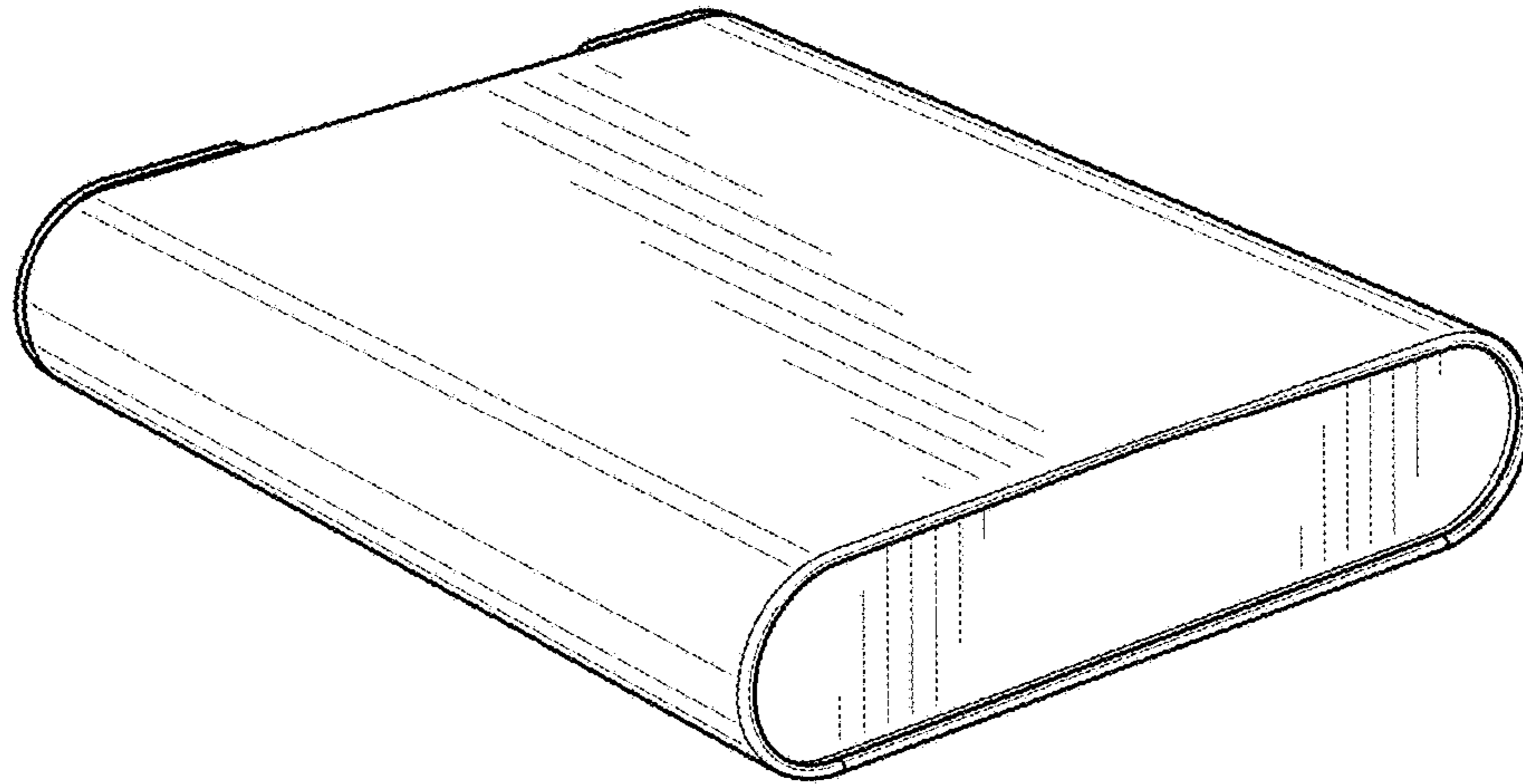


FIG. 8

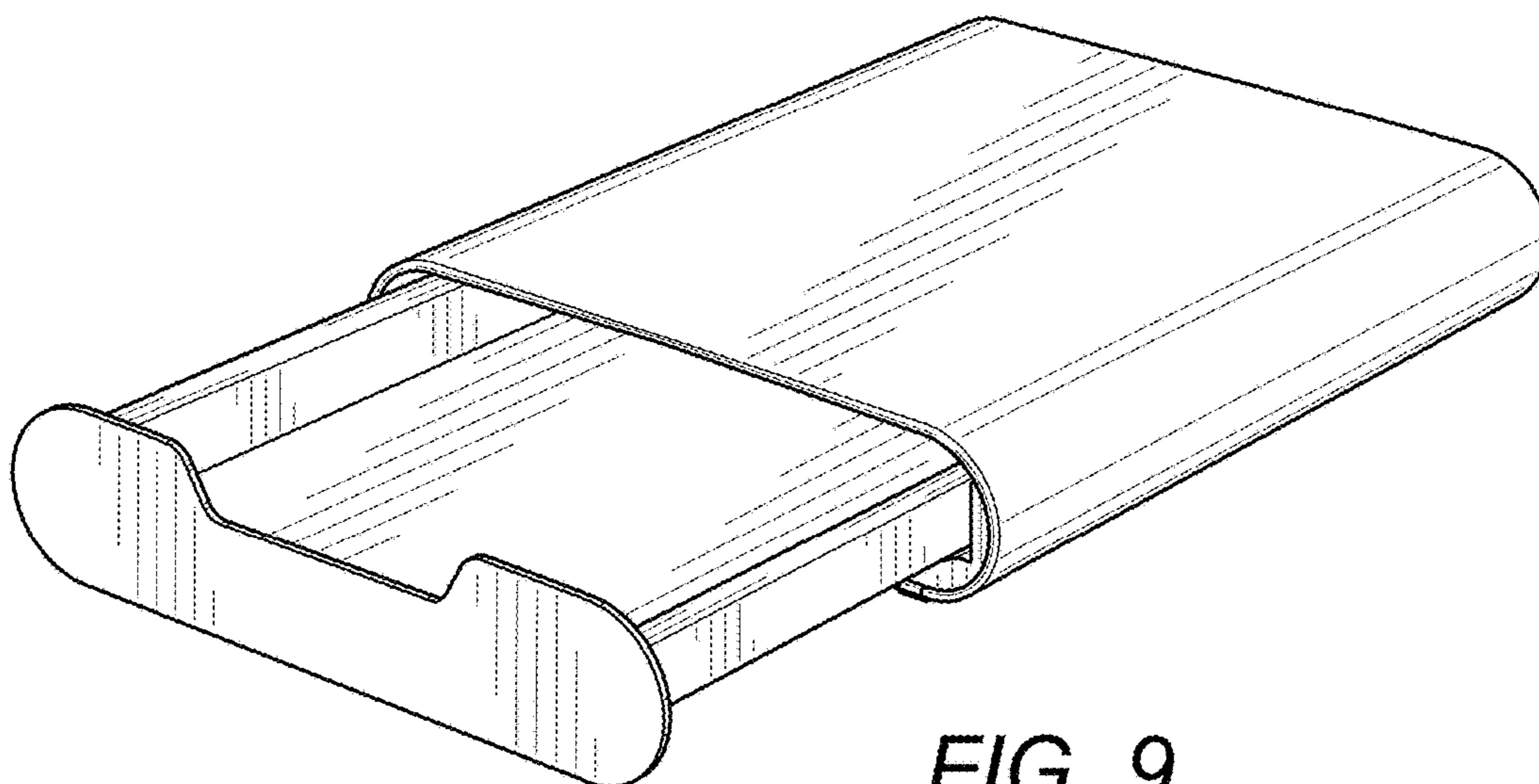


FIG. 9