



US00D782865S

(12) **United States Design Patent** (10) **Patent No.:** **US D782,865 S**
Bazzicalupo et al. (45) **Date of Patent:** **** Apr. 4, 2017**

(54) **BLENDER**

(71) Applicant: **SMEG S.p.A.**, Guastalla (IT)

(72) Inventors: **Leopoldo Bazzicalupo**, Iseo (IT);
Raffaella Mangiarotti, Milan (IT)

(73) Assignee: **SMEG S.p.A.** (IT)

(**) Term: **15 Years**

(21) Appl. No.: **29/549,535**

(22) Filed: **Dec. 22, 2015**

Related U.S. Application Data

(62) Division of application No. 29/504,082, filed on Oct. 1, 2014, now Pat. No. Des. 749,893.

(51) **LOC (10) Cl.** **31-00**

(52) **U.S. Cl.**
USPC **D7/378; D7/376; D7/384; D7/386;**
D7/413

(58) **Field of Classification Search**

USPC D7/326, 372, 376–386, 412–413, 602,
D7/629, 665–666, 669, 679, 693–694
CPC A21C 1/02; A21C 1/04; A23N 1/00; A23N
1/02; A47J 43/04; A47J 43/25; A47J
43/27; A47J 43/042; A47J 43/044; A47J
43/046; A47J 43/075; A47J 43/0716;
A47J 43/0722; A47J 43/0727; B01F 3/00;
B01F 3/0807; B01F 3/0853; B01F
13/0059; B01F 13/0064; B02C 1/08;
B02C 2/04; B02C 4/42; B02C 4/142;
B02C 4/143; B02C 4/423; B02C 13/1835;
B28C 5/10; B28C 5/12; B28C 5/14;
B28C 5/16

See application file for complete search history.

(56) **References Cited**

U.S. PATENT DOCUMENTS

D176,257 S *	12/1955	Hill et al.	D7/378
D181,541 S *	11/1957	Madl et al.	D7/378
D394,986 S *	6/1998	Lallemand	D7/378
D448,967 S *	10/2001	Planca	D7/378
D502,358 S *	3/2005	Weaden	D7/378
D512,265 S *	12/2005	McCurrach	D7/378
D525,482 S *	7/2006	Kassenaar	D7/378
D533,020 S *	12/2006	Kassenaar	D7/378
D543,072 S *	5/2007	Ting	D7/378
D547,601 S *	7/2007	Ting	D7/384
D553,425 S *	10/2007	Steiner	D7/378
D568,096 S *	5/2008	Sun	D7/378
D578,340 S *	10/2008	Picozza	D7/378
D597,372 S *	8/2009	Nordwall	D7/378
D630,467 S *	1/2011	Harrod	D7/372
D642,858 S *	8/2011	Lazzer	D7/376

(Continued)

Primary Examiner — Ricky Pham

(74) *Attorney, Agent, or Firm* — The Belles Group, P.C.

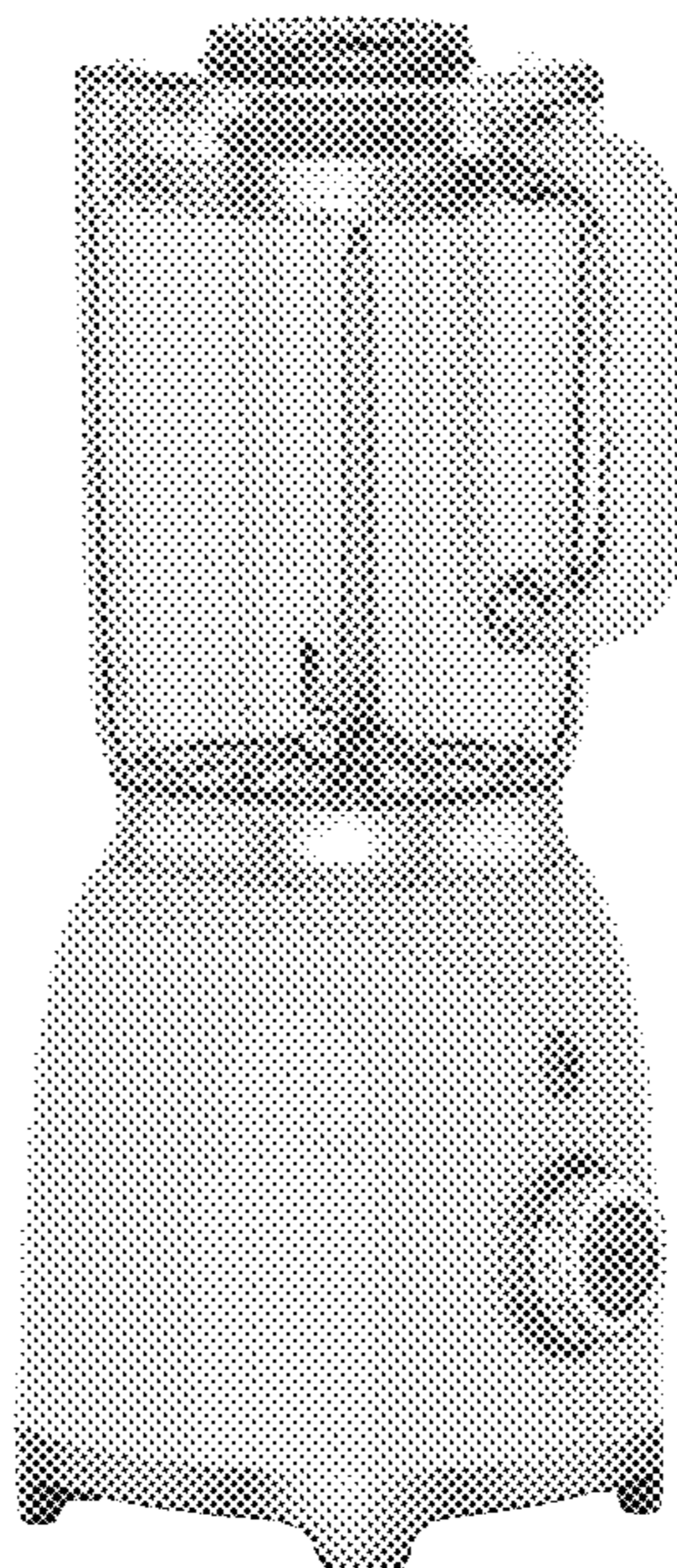
(57) **CLAIM**

We claim the ornamental design for a blender, as shown and described.

DESCRIPTION

FIG. 1 is a perspective view of a blender in accordance with our new design;
FIG. 2 is a right-side elevation view of the blender of FIG. 1;
FIG. 3 is a front elevation view of the blender of FIG. 1;
FIG. 4 is a left-side elevation view of the blender of FIG. 1;
FIG. 5 is a rear elevation view of the blender of FIG. 1;
FIG. 6 is a top plan view of the blender of FIG. 1; and,
FIG. 7 is a bottom plan view of the blender of FIG. 1.

1 Claim, 7 Drawing Sheets



(56)

References Cited

U.S. PATENT DOCUMENTS

D716,096 S *	10/2014	Krooshof	D7/326
D728,303 S *	5/2015	Vu	D7/376
D731,234 S *	6/2015	Weaden	D7/376
D742,683 S *	11/2015	Kim	D7/376
D747,135 S *	1/2016	Ha	D7/376
D749,893 S *	2/2016	Bazzicalupo	D7/376
D758,787 S *	6/2016	Ou	D7/376
D759,424 S *	6/2016	Ou	D7/376
D765,462 S *	9/2016	Davies	D7/376
2004/0042337 A1 *	3/2004	Yiu	A47J 43/0777 366/199

* cited by examiner



FIG. 1



FIG. 2



FIG. 3



FIG. 4



FIG. 5

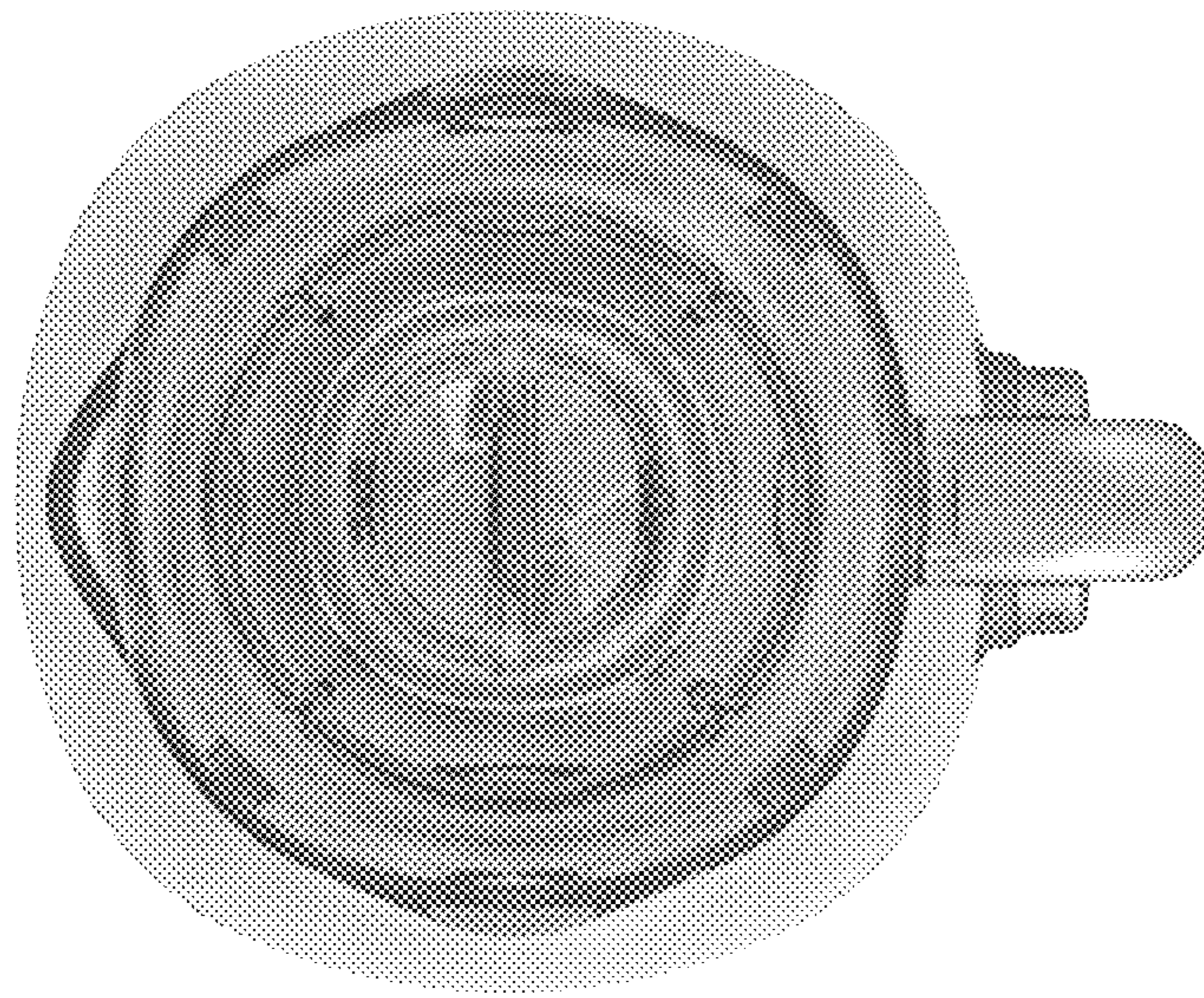


FIG. 6

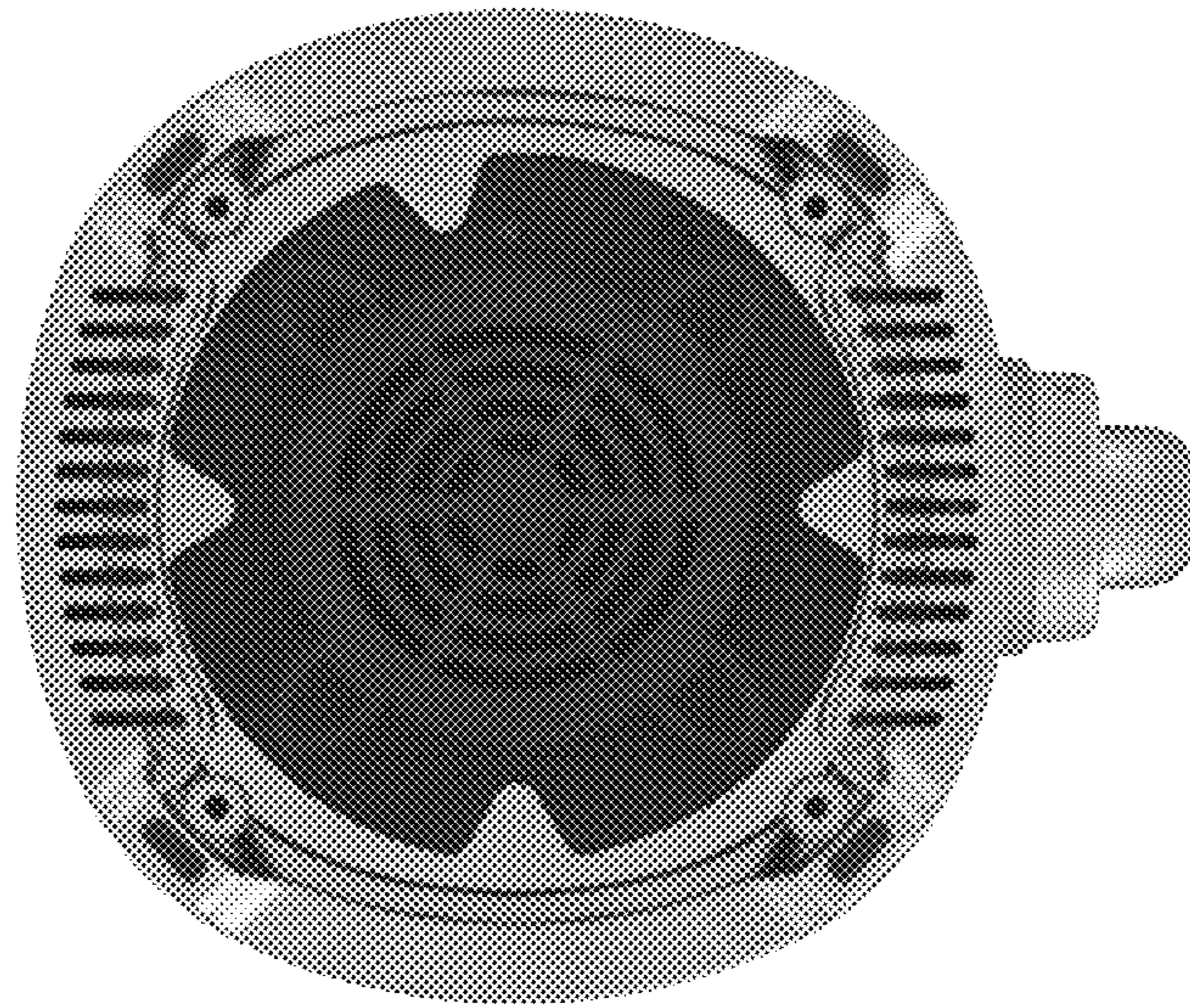


FIG. 7