



US00D782864S

(12) **United States Design Patent**  
**Bhogal et al.**

(10) **Patent No.:** **US D782,864 S**  
(45) **Date of Patent:** **\*\* Apr. 4, 2017**

(54) **COUNTERTOP OVEN**

**DESCRIPTION**

- (71) Applicant: **June Life, Inc.**, San Francisco, CA (US)
- (72) Inventors: **Nikhil Bhogal**, San Francisco, CA (US); **Danielle Sheehan**, San Francisco, CA (US); **Gabe Risk**, San Francisco, CA (US); **Amanda Tyree**, San Francisco, CA (US); **Nikko Lubinski**, San Francisco, CA (US); **Matt Van Horn**, San Francisco, CA (US); **William Drew Atkinson**, San Francisco, CA (US)
- (73) Assignee: **June Life, Inc.**, San Francisco, CA (US)
- (\*\*) Term: **15 Years**
- (21) Appl. No.: **29/529,543**
- (22) Filed: **Jun. 8, 2015**
- (51) **LOC (10) Cl.** ..... **07-02**
- (52) **U.S. Cl.**  
USPC ..... **D7/350.1**
- (58) **Field of Classification Search**  
USPC ... D7/323, 332, 334-337, 348, 350.1-350.4, D7/351, 402-405, 417, 338  
(Continued)

(56) **References Cited**

**U.S. PATENT DOCUMENTS**

- 5,422,458 A \* 6/1995 Simmel ..... F24C 7/00  
126/192
- D463,198 S \* 9/2002 Nishikawa ..... D7/351  
(Continued)

*Primary Examiner* — Cynthia M Chin

(74) *Attorney, Agent, or Firm* — Jeffrey Schox; Diana Lin

(57) **CLAIM**

We claim the ornamental design for a countertop oven, as shown and described.

FIG. 1 is an isometric view, from the top front left, of the countertop oven in an open configuration.

FIG. 2 is an isometric view, from the bottom front right, of the countertop oven in the open configuration.

FIG. 3 is an isometric view, from the bottom back right, of the countertop oven in the open configuration.

FIG. 4 is a plan view of the top of the countertop oven in the open configuration.

FIG. 5 is a plan view of the bottom of the countertop oven in the open configuration.

FIG. 6 is an elevation view of the left side of the countertop oven in the open configuration.

FIG. 7 is an elevation view of the right side of the countertop oven in the open configuration.

FIG. 8 is an elevation view of the front of the countertop oven in the open configuration.

FIG. 9 is an elevation view of the back of the countertop oven in the open configuration.

FIG. 10 is an isometric view, from the top left, of the countertop oven in a closed configuration.

FIG. 11 is an isometric view, from the bottom right, of the countertop oven in the closed configuration.

FIG. 12 is a plan view of the bottom of the countertop oven in the closed configuration.

FIG. 13 is a plan view of the top of the countertop oven in the closed configuration.

FIG. 14 is an elevation view of the left side of the countertop oven in the closed configuration.

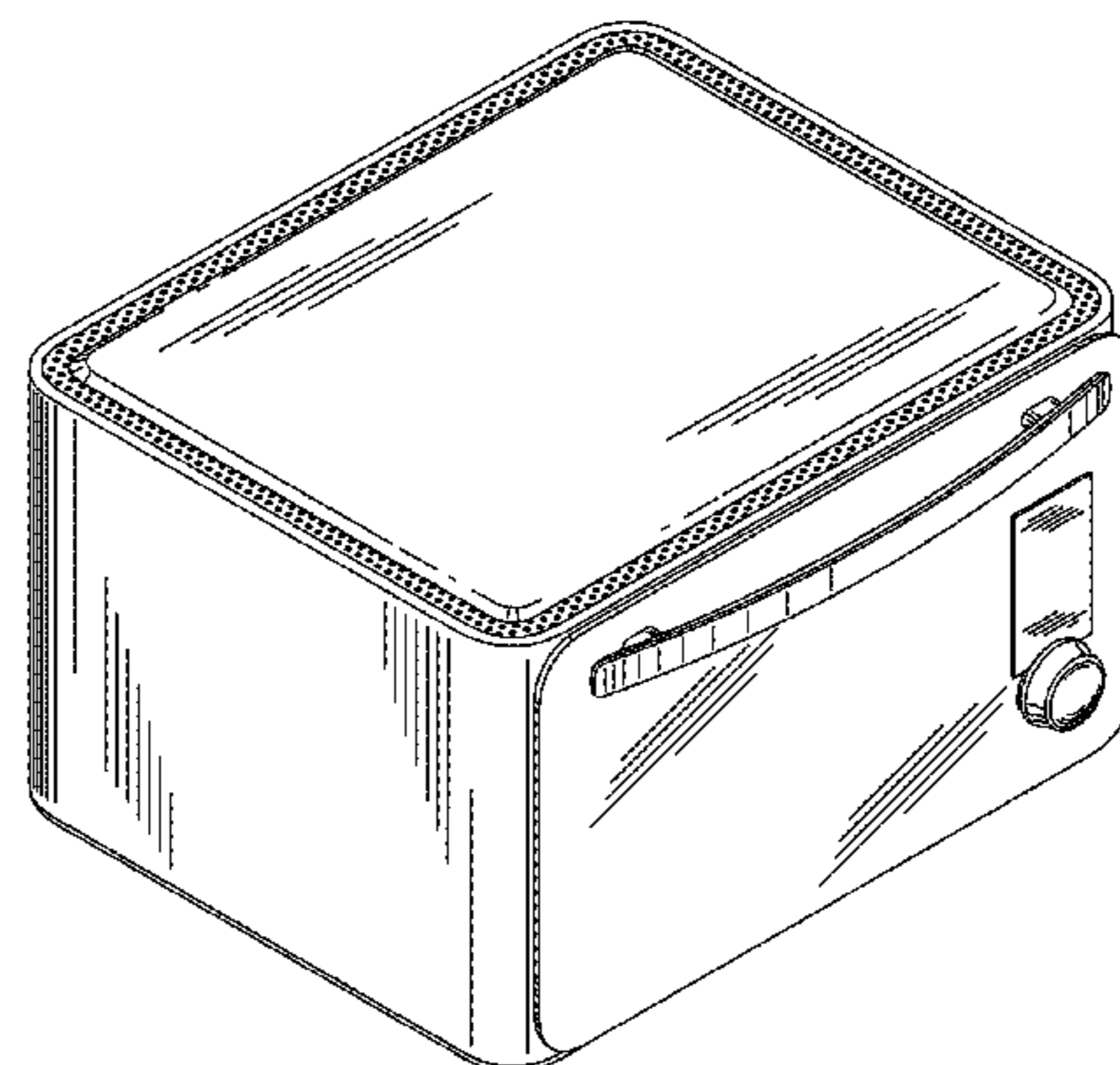
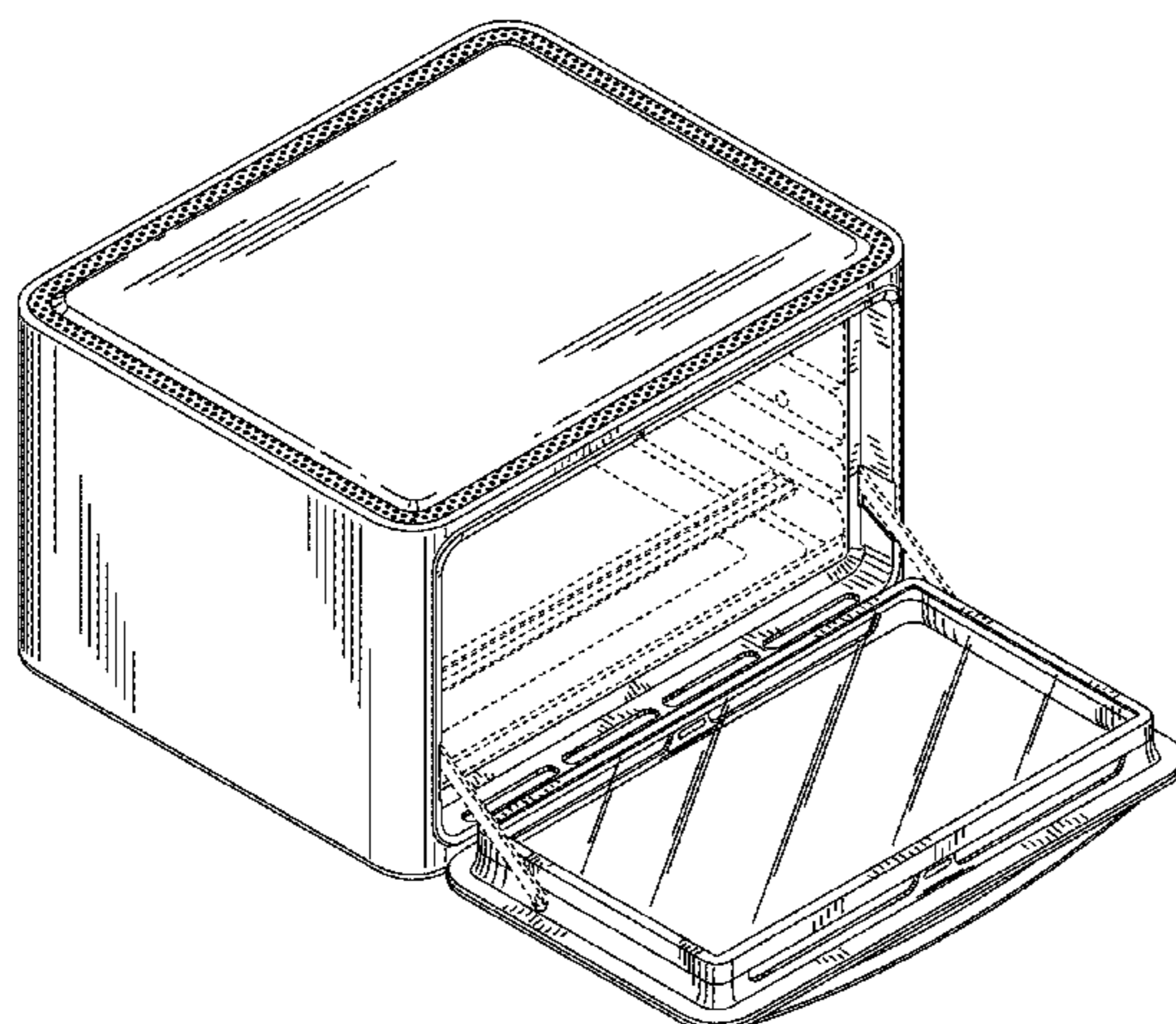
FIG. 15 is an elevation view of the right side of the countertop oven in the closed configuration.

FIG. 16 is an elevation view of the front of the countertop oven in the closed configuration; and,

FIG. 17 is an elevation view of the back of the countertop oven in the closed configuration.

The broken lines represent portions of the countertop oven that form no part of the claim.

**1 Claim, 12 Drawing Sheets**



(58) **Field of Classification Search**

CPC ..... A47J 37/0704; A47J 37/0763; A47J  
37/0745; A47J 37/0713; A47J 37/0768;  
A47J 37/079; A47J 33/00; A47J 36/26;  
A47J 39/00; F24B 1/205; F24B 1/02;  
F24B 15/04; F24C 3/14; F24C 3/027;  
F24C 15/08; B65D 7/26; B65D 7/24;  
B65D 85/1045; B65D 85/18; A23B 4/052

See application file for complete search history.

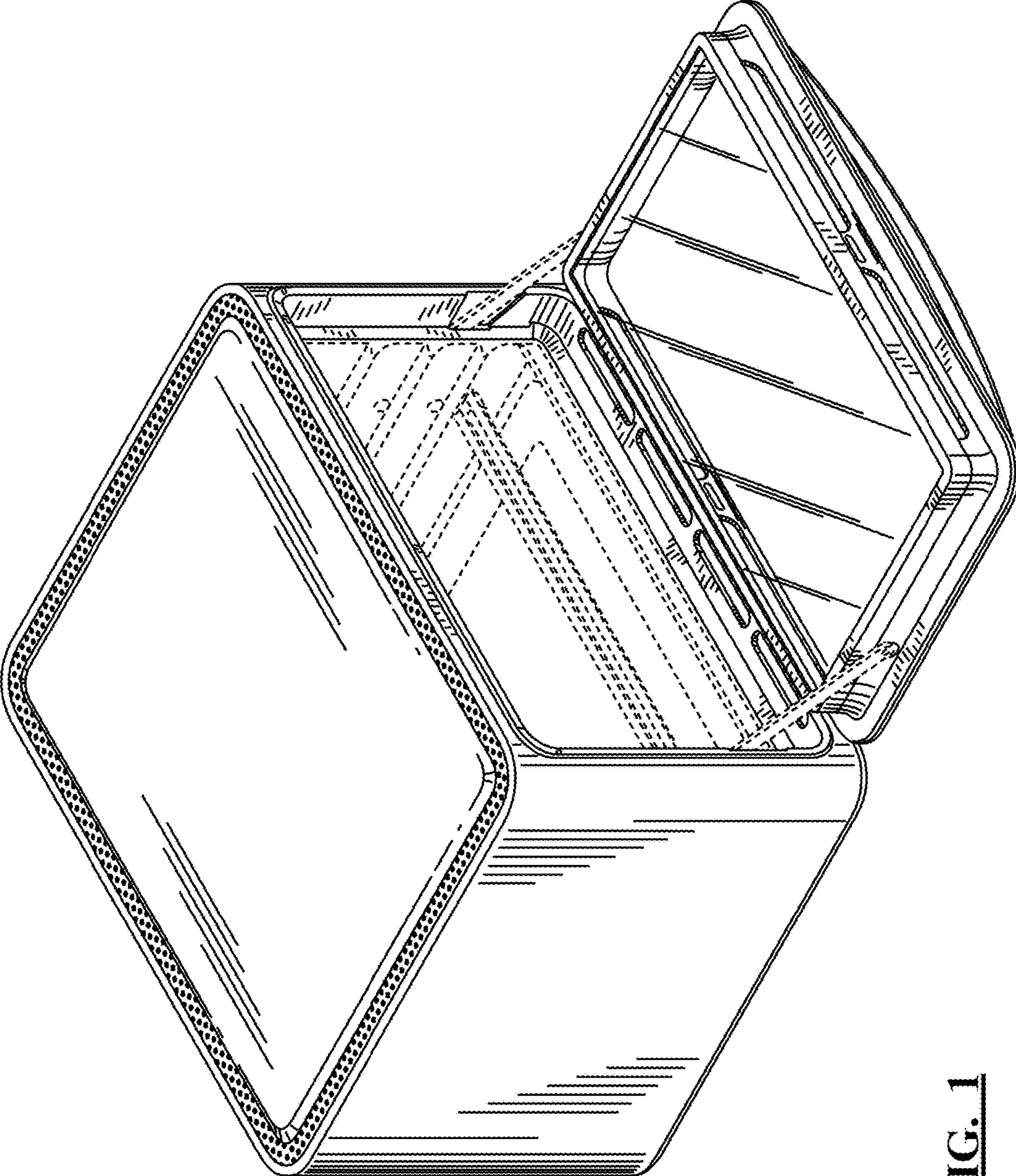
(56) **References Cited**

U.S. PATENT DOCUMENTS

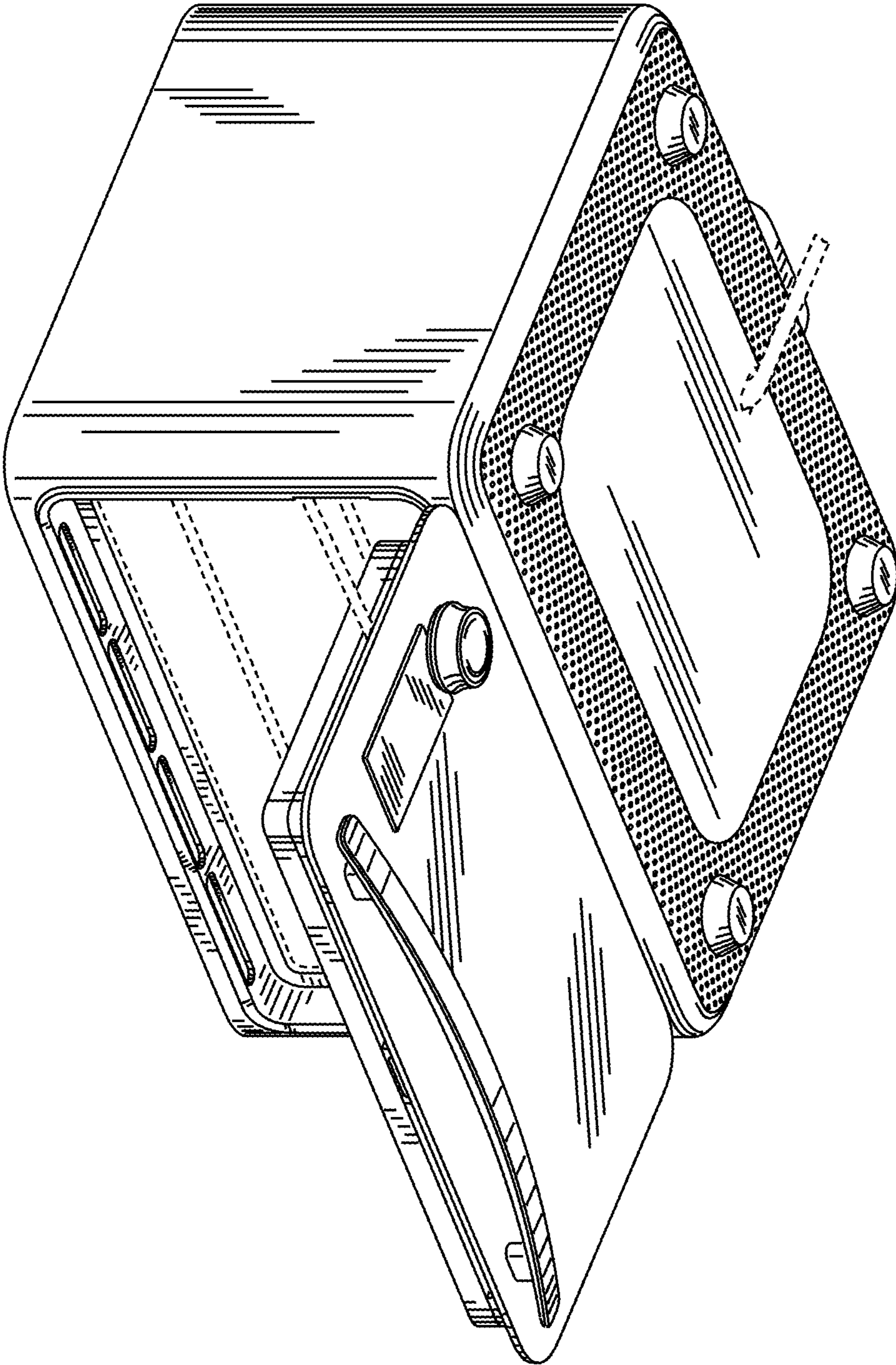
D525,075	S	*	7/2006	Jeon	.....	D7/350.1
D539,592	S	*	4/2007	Jeon	.....	D7/350.1
D540,613	S	*	4/2007	Jeon	.....	D7/350.1
D655,129	S	*	3/2012	Gresko	.....	D7/350.1
D663,156	S	*	7/2012	Curtis	.....	D7/350.1
D670,529	S	*	11/2012	Hensel	.....	D7/350.1
D717,579	S	*	11/2014	Gregory	.....	D7/350.4
2002/0084266	A1	*	7/2002	Ahn	.....	H05B 6/642 219/757
2005/0133503	A1	*	6/2005	Kim	.....	H05B 6/642 219/757
2006/0289506	A1	*	12/2006	Shon	.....	H05B 6/6461 219/707
2009/0107343	A1	*	4/2009	De'0 Longhi	.....	A47J 37/0623 99/352

\* cited by examiner



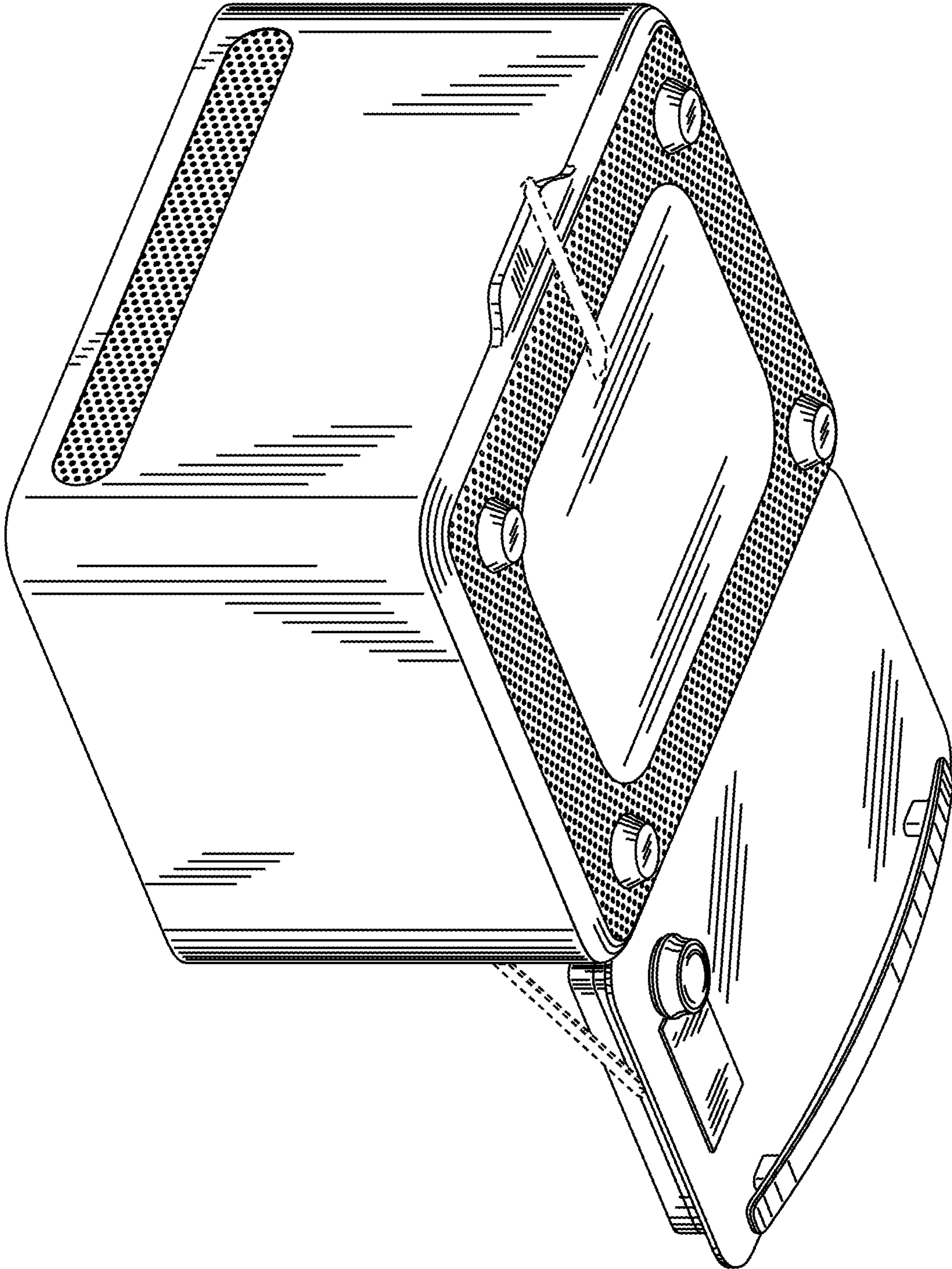


**FIG. 1**

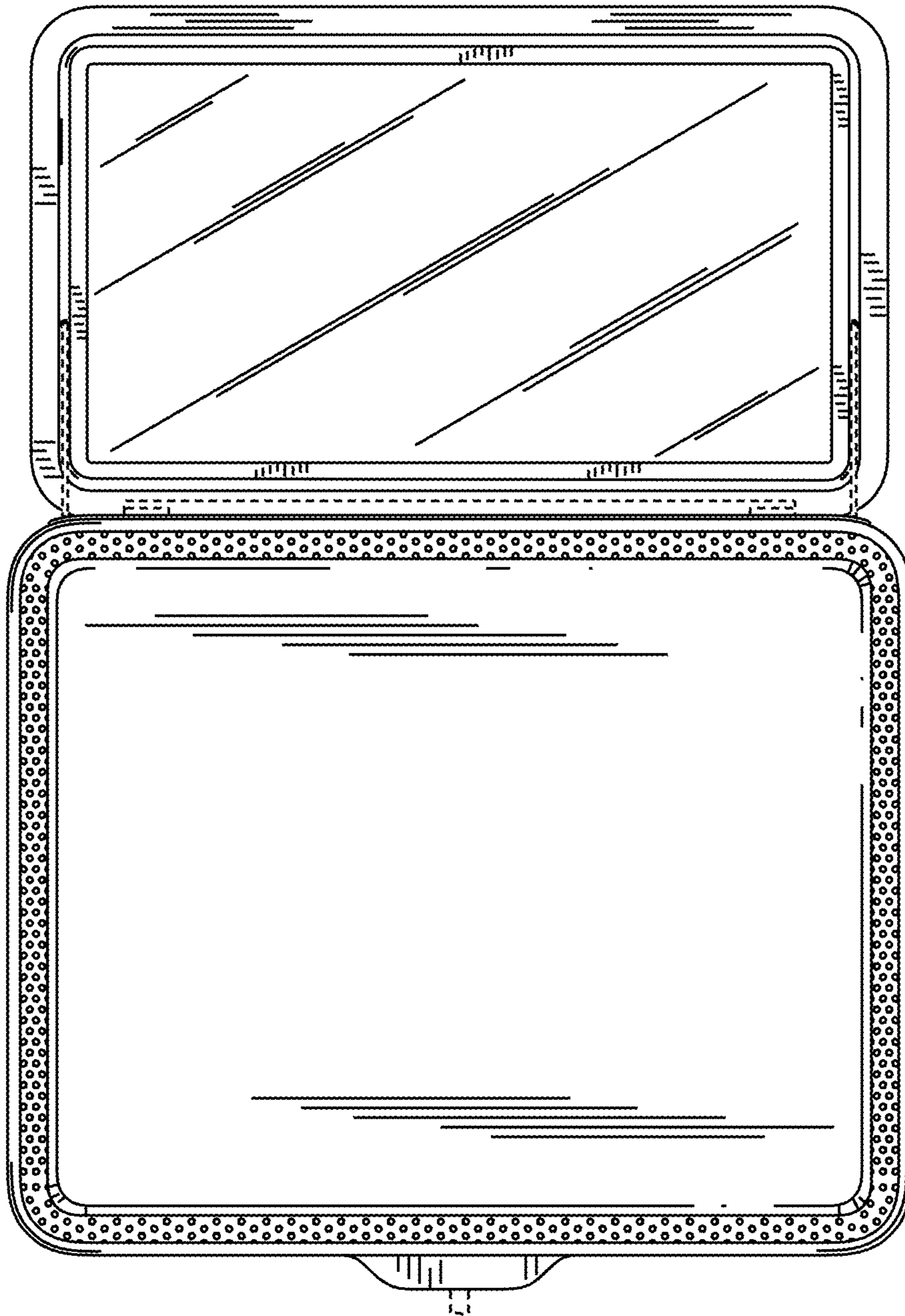


**FIG. 2**

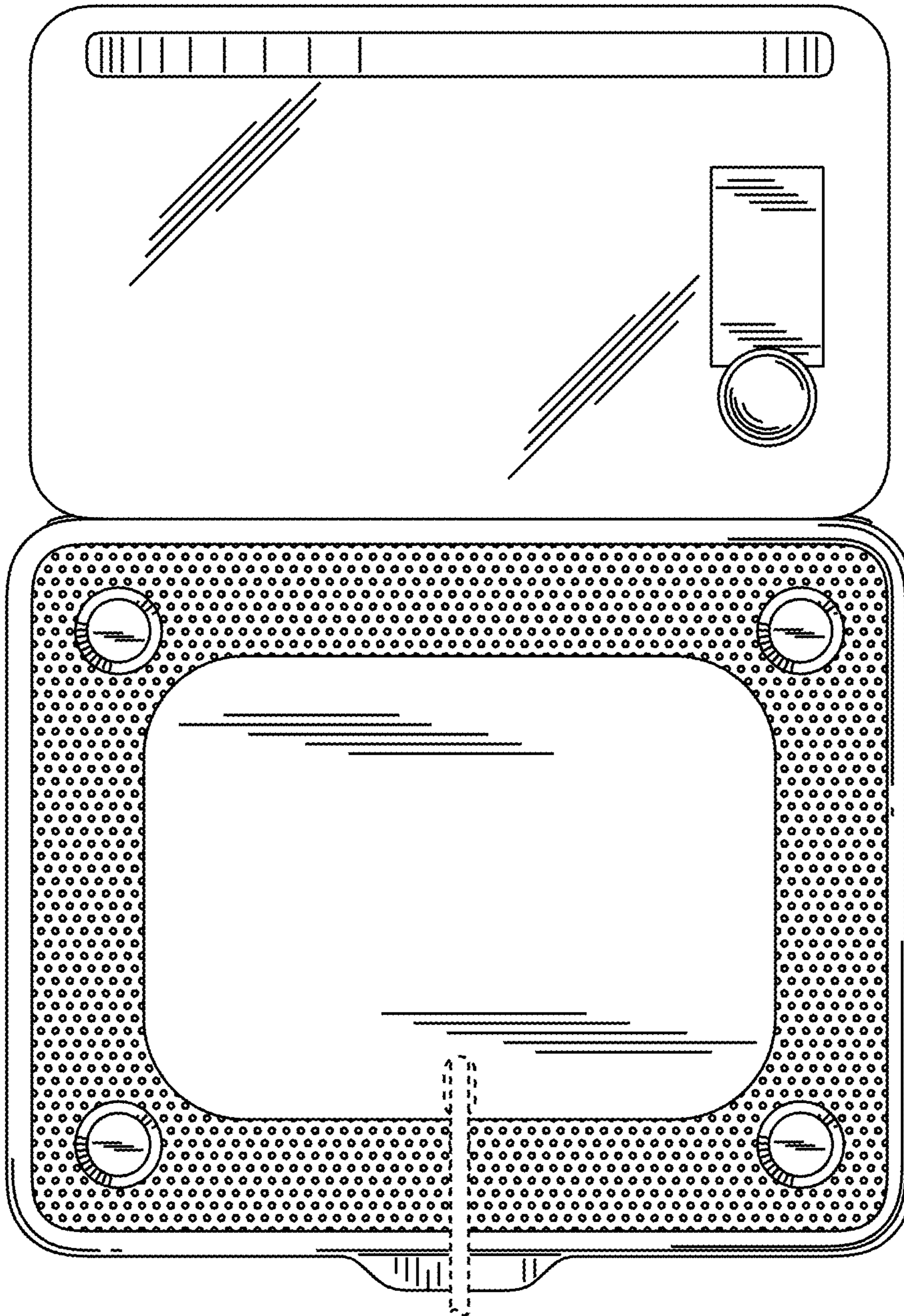




**FIG. 3**

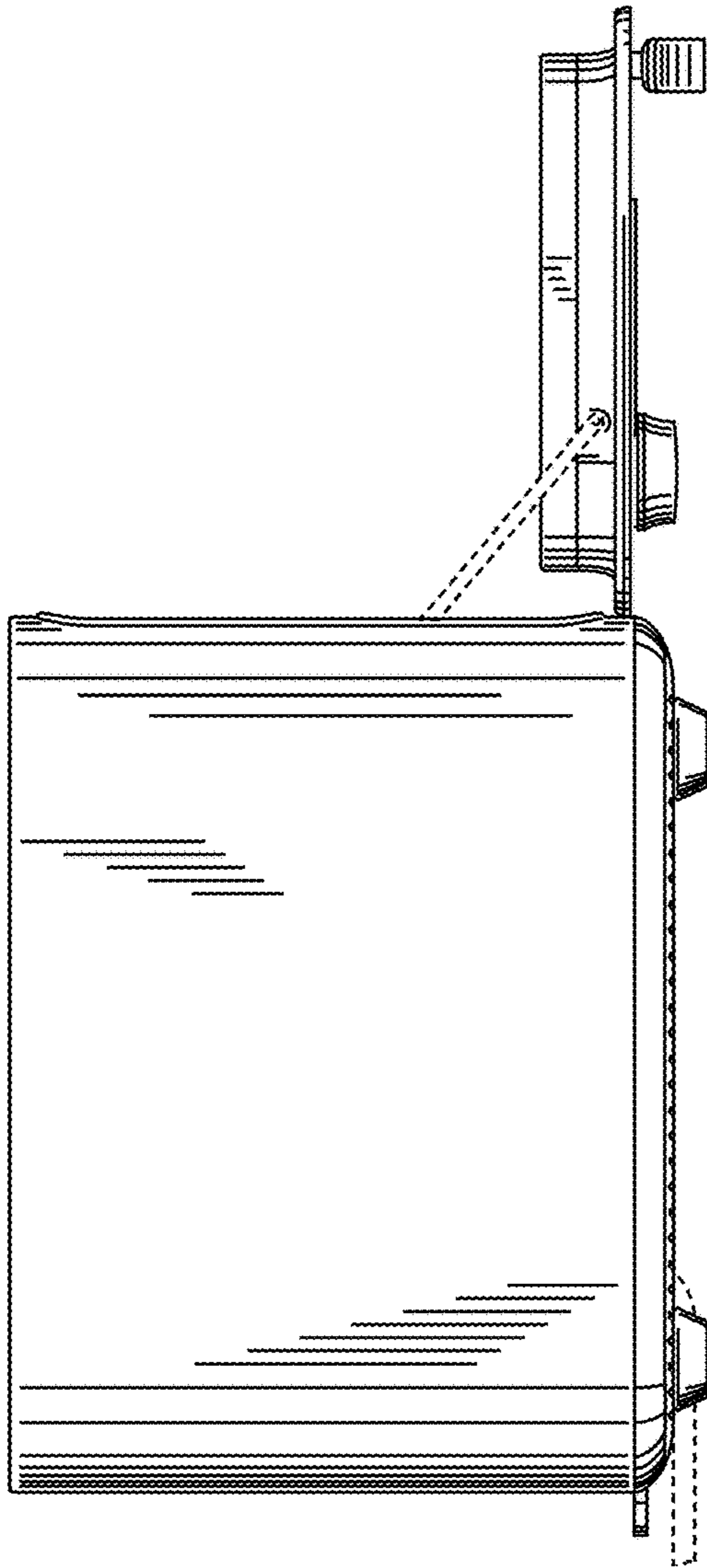


**FIG. 4**



**FIG. 5**

**FIG. 6**



**FIG. 7**

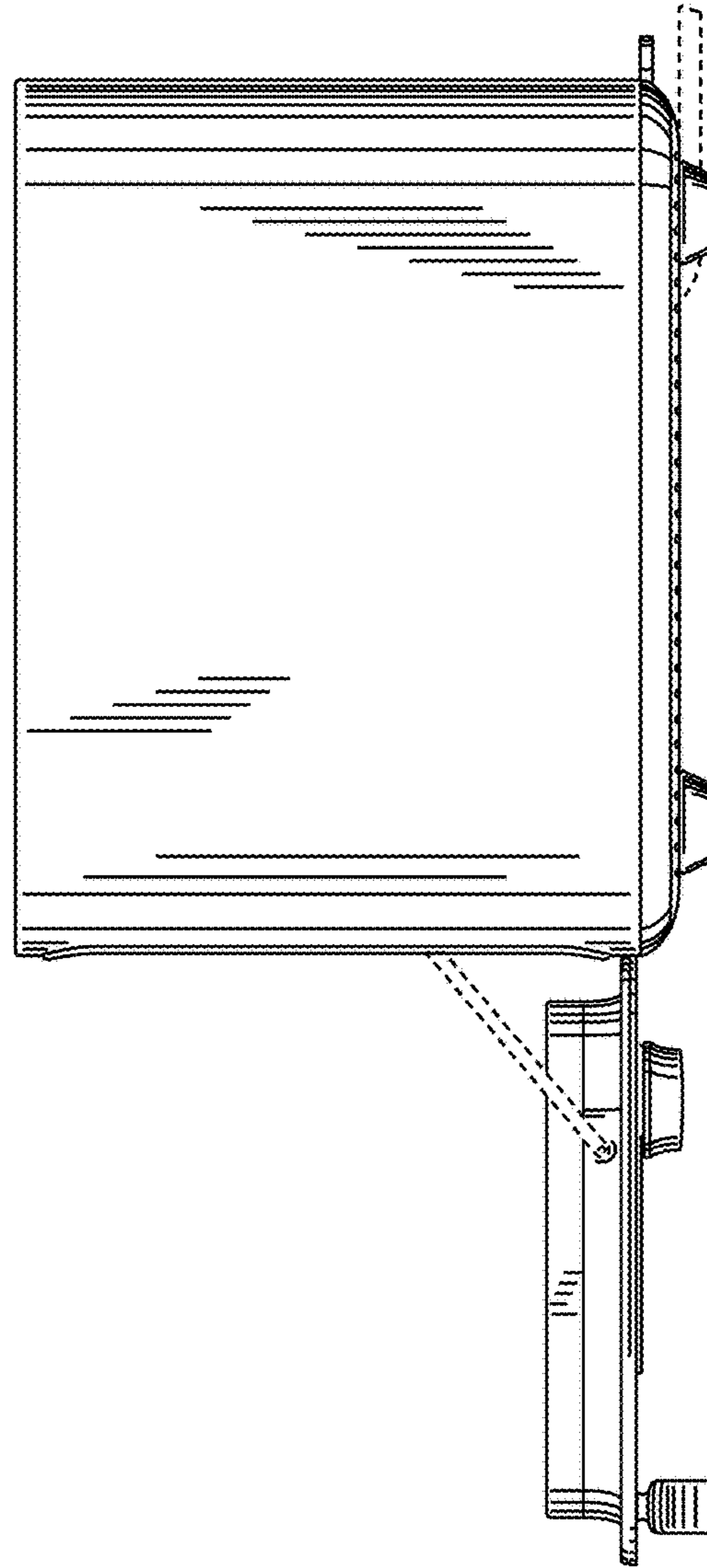




FIG. 8

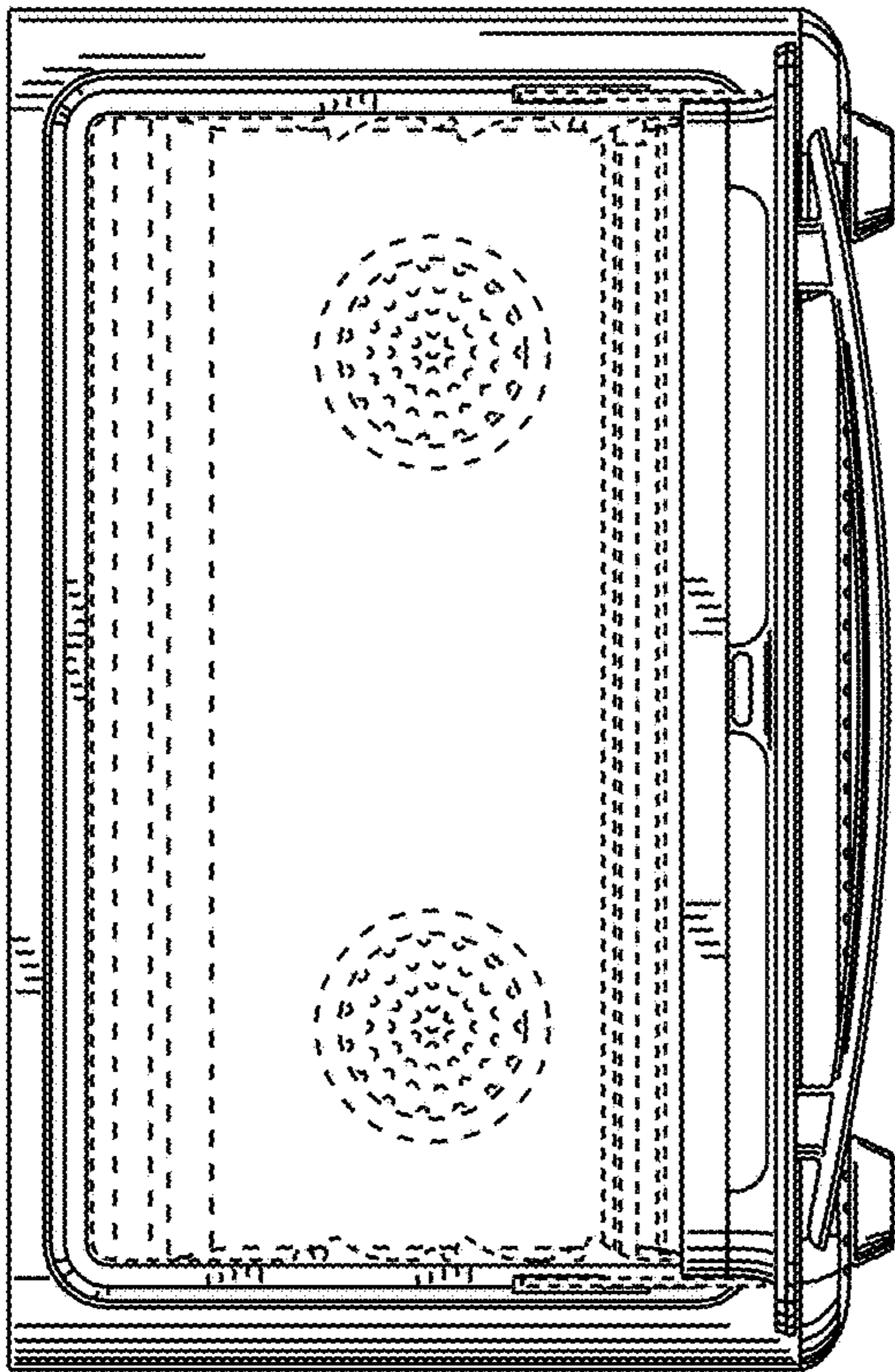
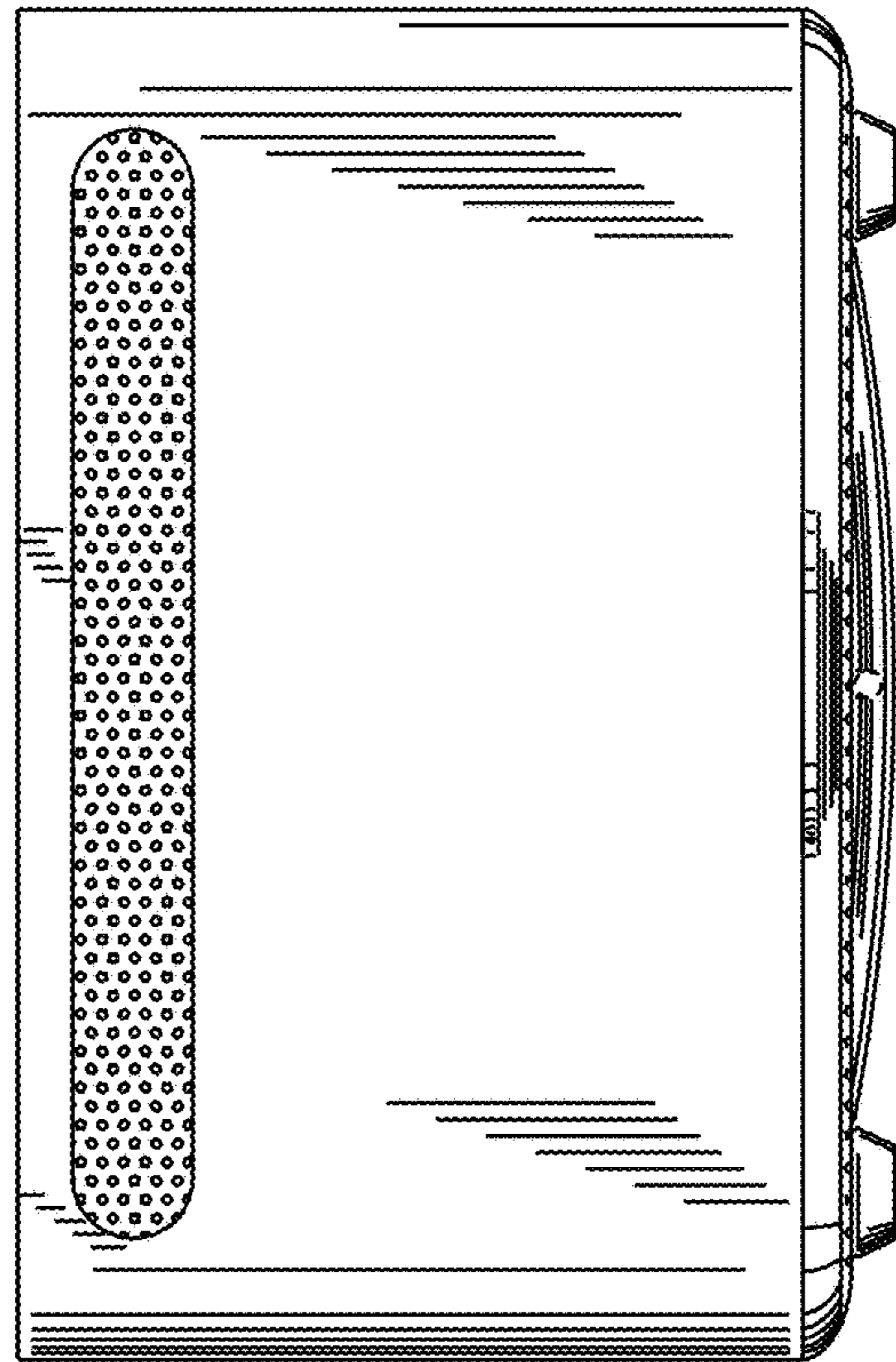
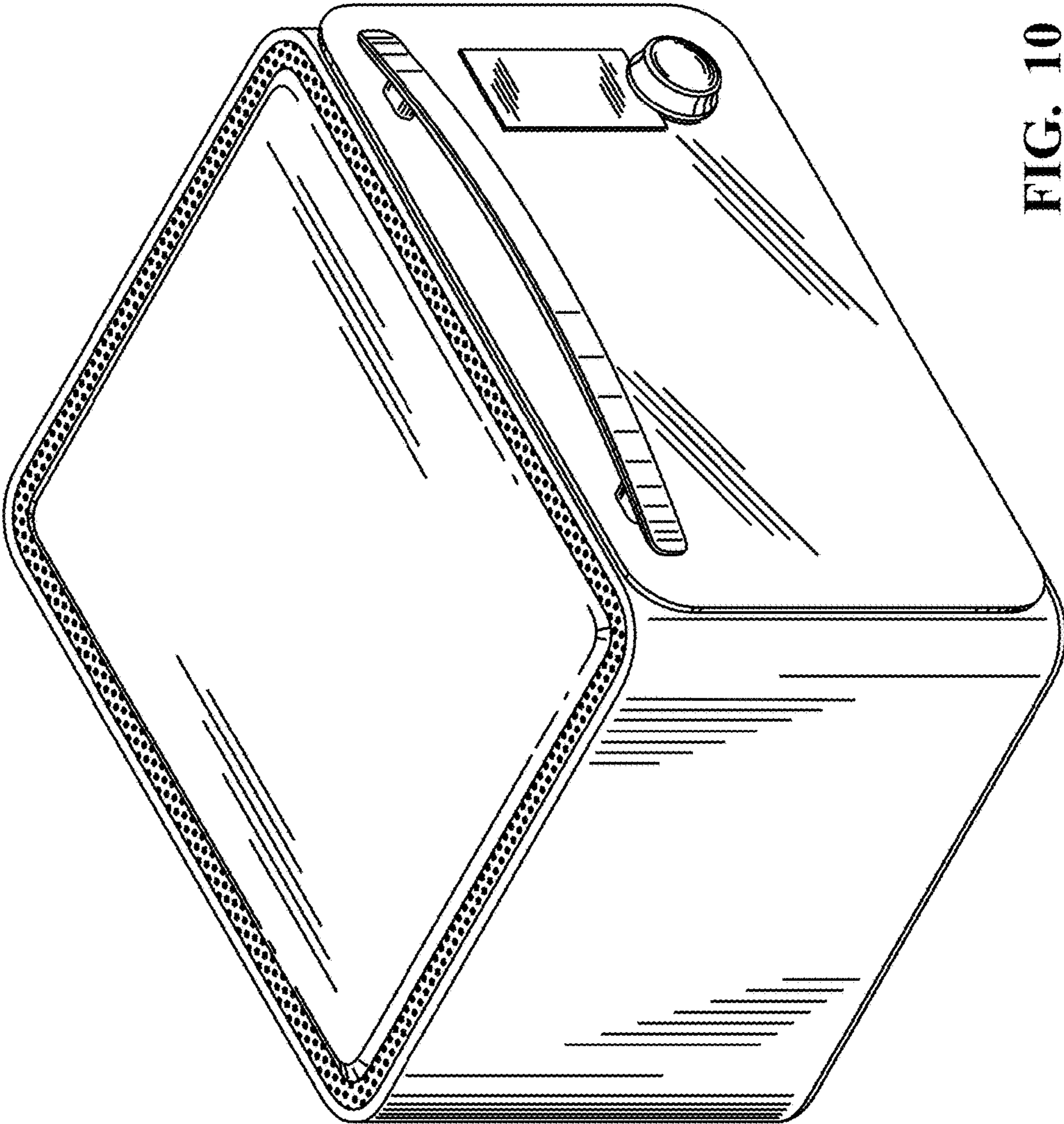
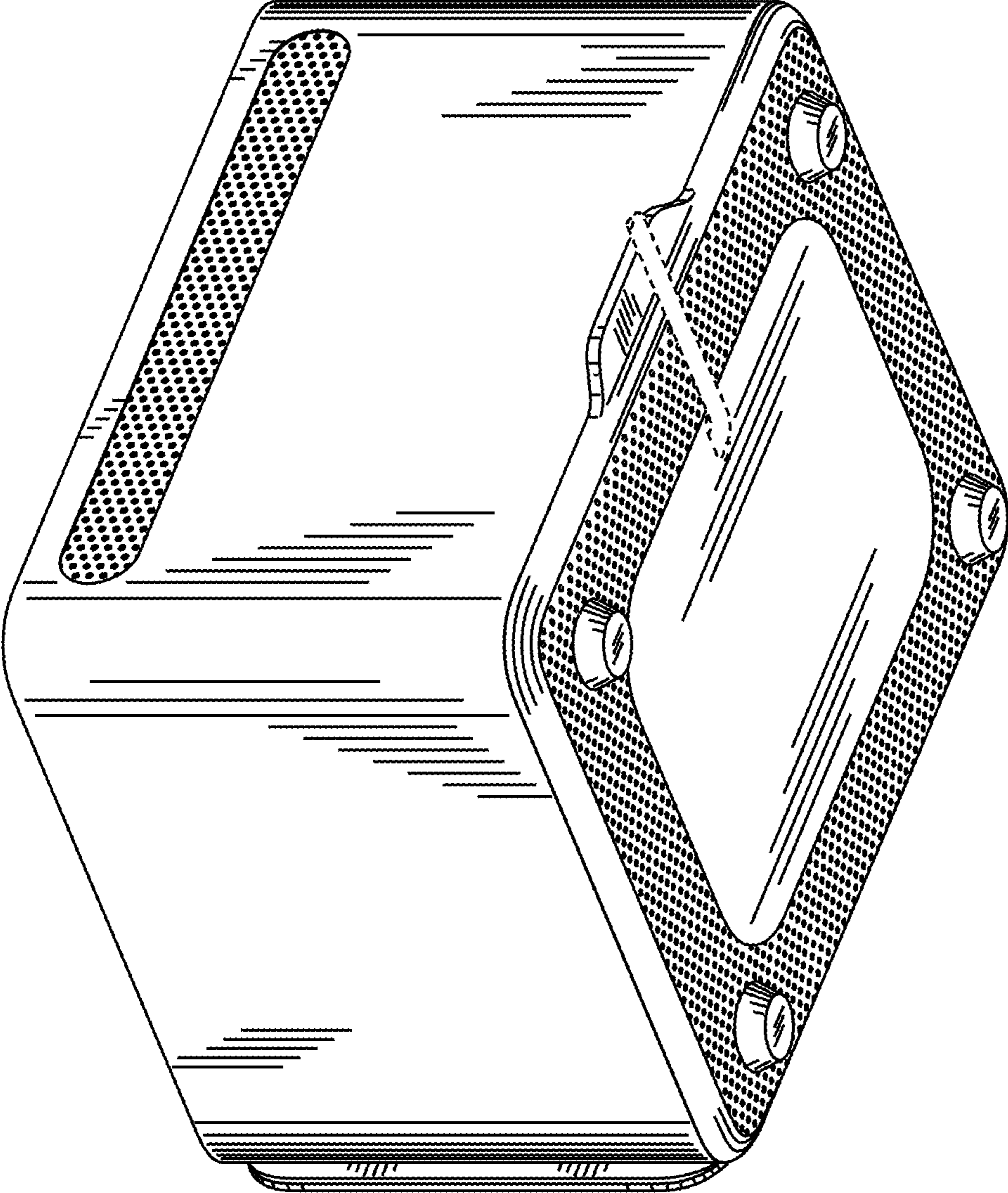


FIG. 9





**FIG. 10**



**FIG. 11**



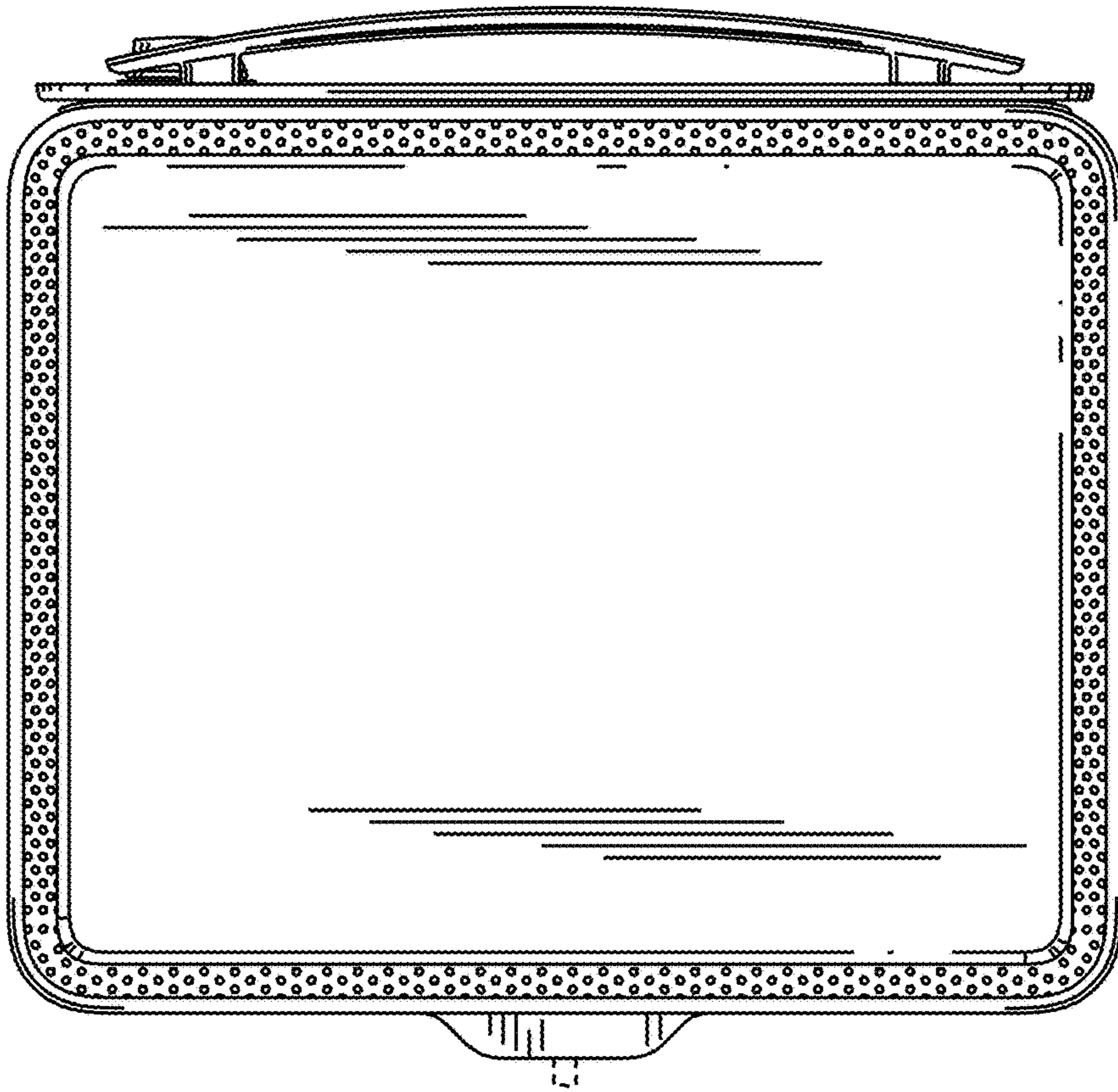


FIG. 13

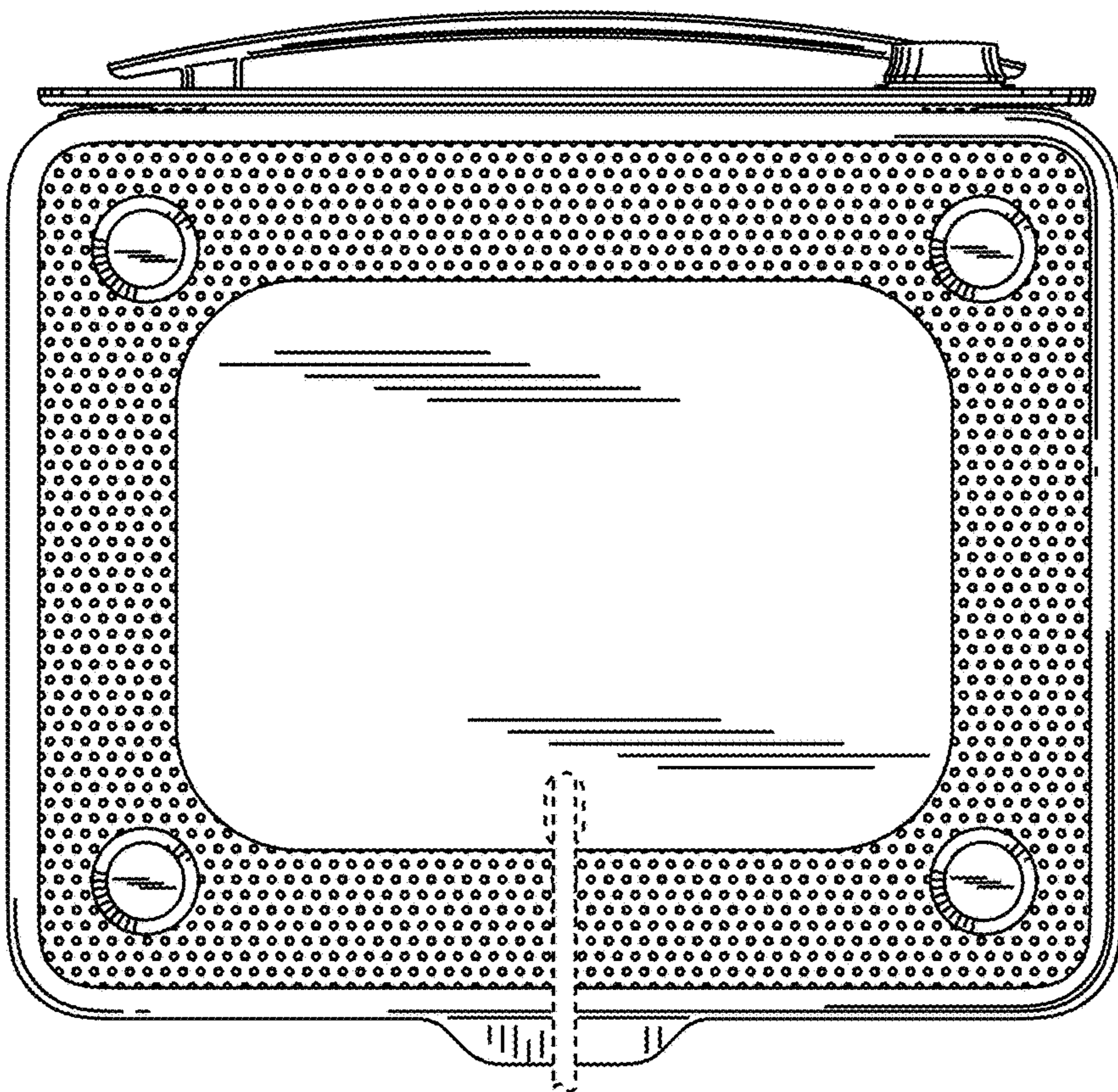
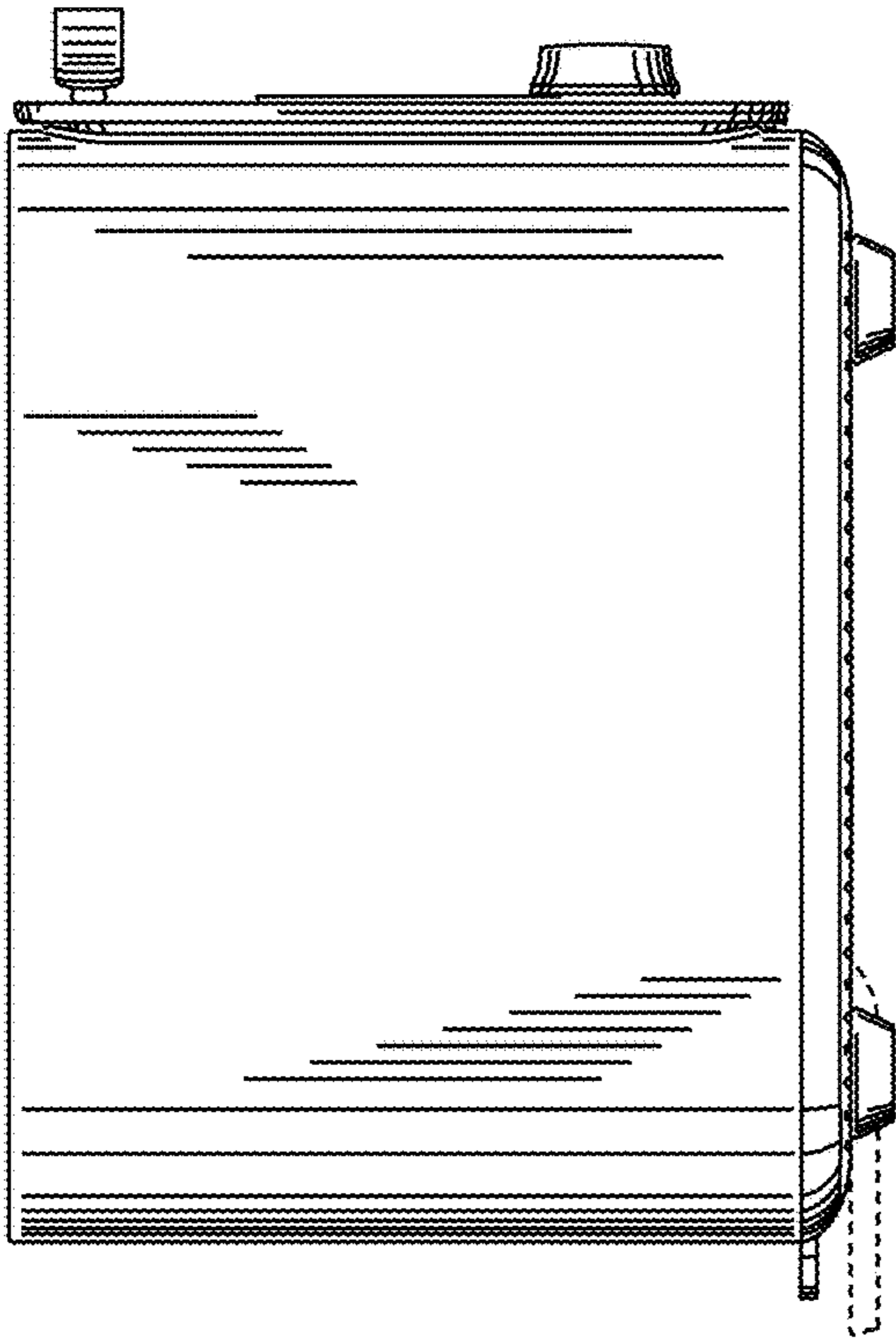


FIG. 12

**FIG. 14**



**FIG. 15**

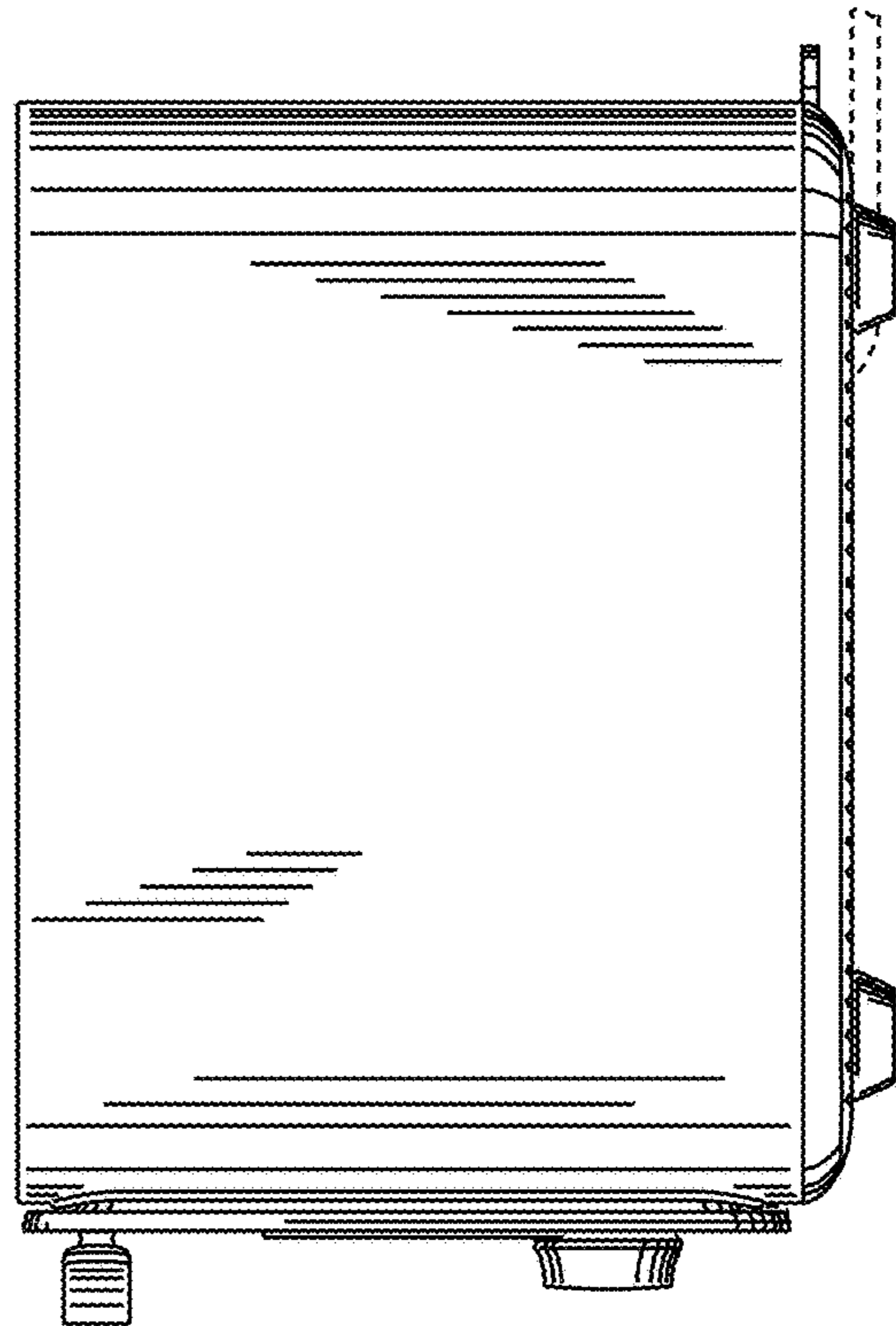


FIG. 16

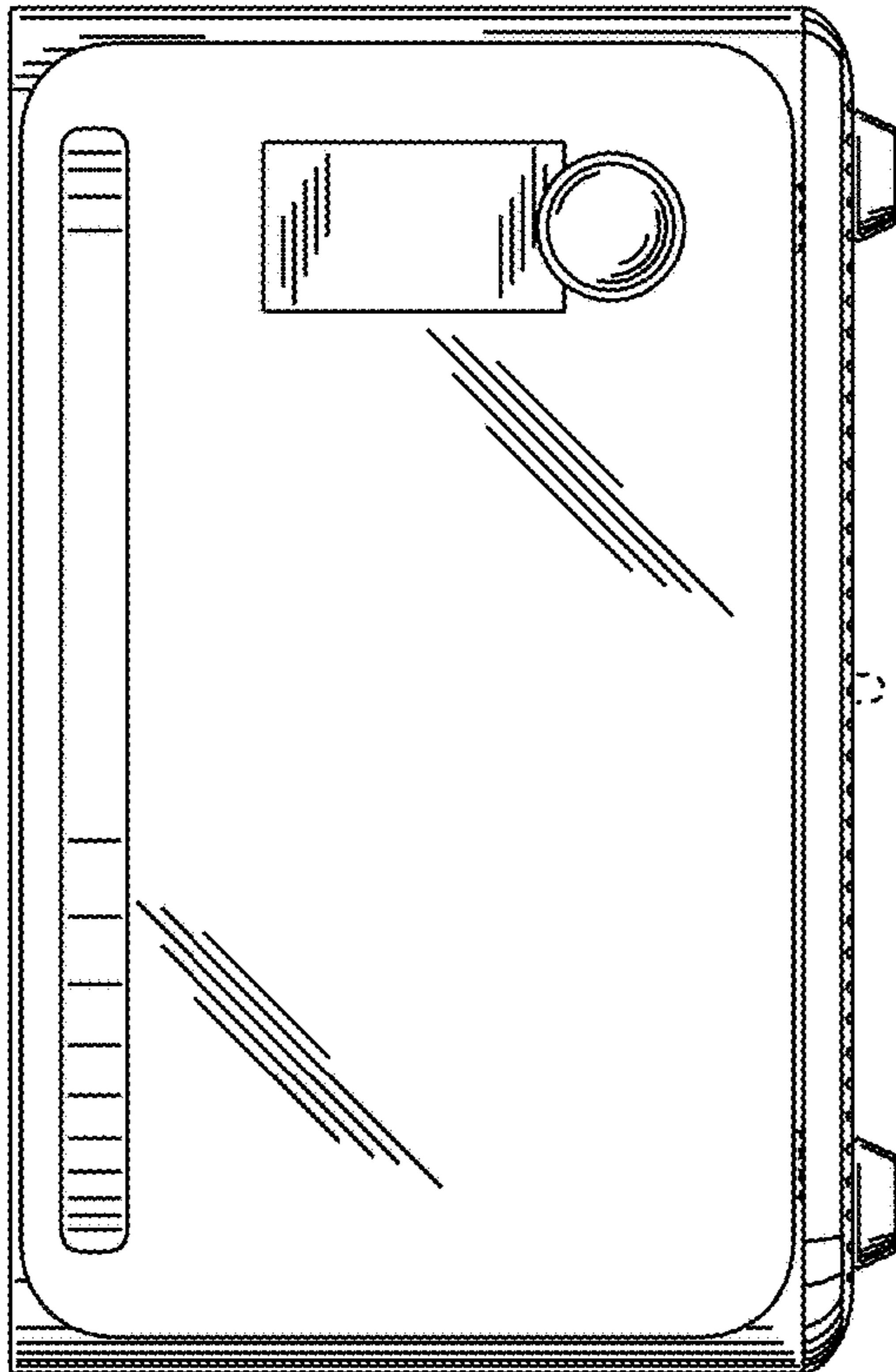


FIG. 17

