



US00D782862S

(12) **United States Design Patent**  
**Runyan**

(10) **Patent No.:** **US D782,862 S**

(45) **Date of Patent:** **\*\* Apr. 4, 2017**

- (54) **COLD BREW COFFEE MAKER**
- (71) Applicant: **Bryan Runyan**, Tyler, TX (US)
- (72) Inventor: **Bryan Runyan**, Tyler, TX (US)
- (\*\*) Term: **15 Years**
- (21) Appl. No.: **29/541,123**
- (22) Filed: **Sep. 30, 2015**
- (51) **LOC (10) Cl.** ..... **07-01**
- (52) **U.S. Cl.**  
USPC ..... **D7/310; D7/311; D7/300**
- (58) **Field of Classification Search**  
USPC ..... D7/306-311, 300; D23/207; 99/275,  
99/279, 316, 317; 222/146.1-146.6,  
222/185.1; D24/108  
CPC ..... B67D 1/00; B67D 3/0009; B67D 1/0835;  
B67D 1/14; A47J 31/007; A47J 31/16;  
A47J 31/20; A47J 31/02  
See application file for complete search history.

2,290,660 A *	7/1942	Wilcox	.....	A47J 31/10
				219/441
D167,454 S *	8/1952	Games	.....	D7/309
D190,247 S *	5/1961	Brinkman	.....	D7/309
D237,578 S *	11/1975	Thomas	.....	D7/334
4,112,830 A *	9/1978	Saito	.....	A47J 31/002
				99/300
D324,149 S *	2/1992	Beeren	.....	D7/300
D429,109 S *	8/2000	Ohu	.....	D7/307
D453,278 S *	2/2002	Chen	.....	D7/309
D453,441 S *	2/2002	Li	.....	D7/309
D465,120 S *	11/2002	Bouhuys	.....	D7/309
D536,205 S *	2/2007	Jensen	.....	D7/300
7,858,133 B2 *	12/2010	Neace, Jr.	.....	A47J 31/16
				210/219
D763,613 S *	8/2016	Han	.....	D7/306

\* cited by examiner

*Primary Examiner* — Marianne Pandozzi  
(74) *Attorney, Agent, or Firm* — Norton Rose Fulbright  
US LLP

(57) **CLAIM**

The ornamental design for a cold brew coffee maker, as shown and described.

(56) **References Cited**

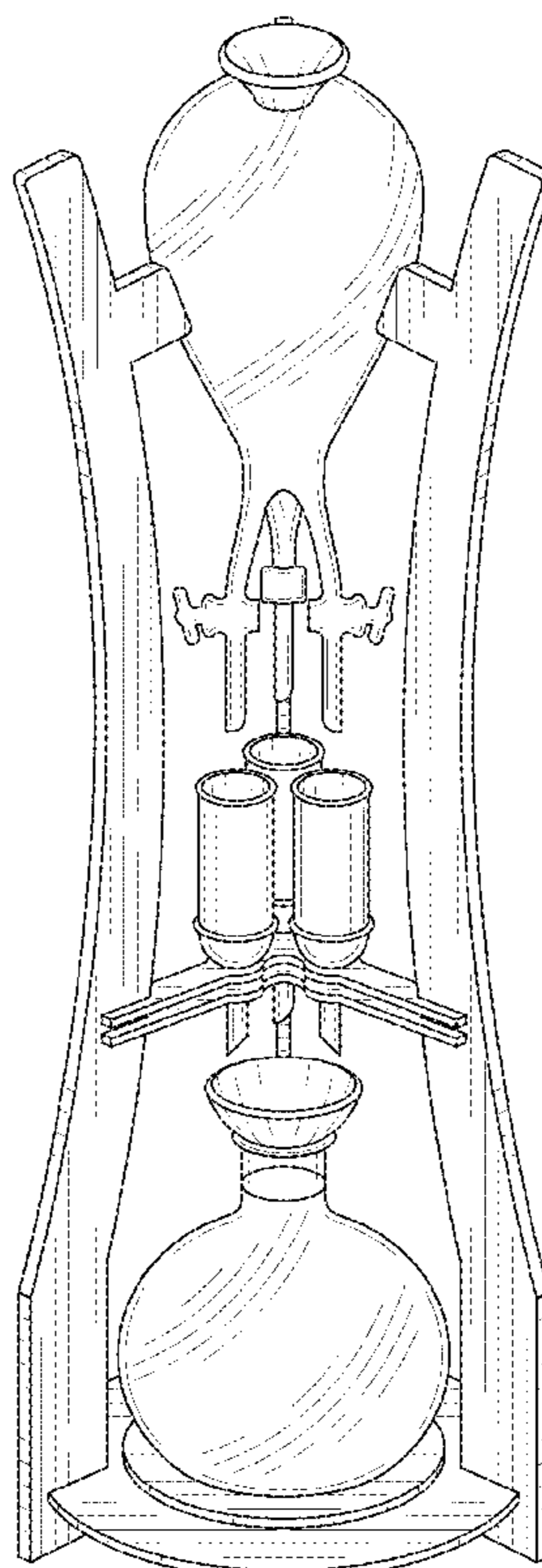
U.S. PATENT DOCUMENTS

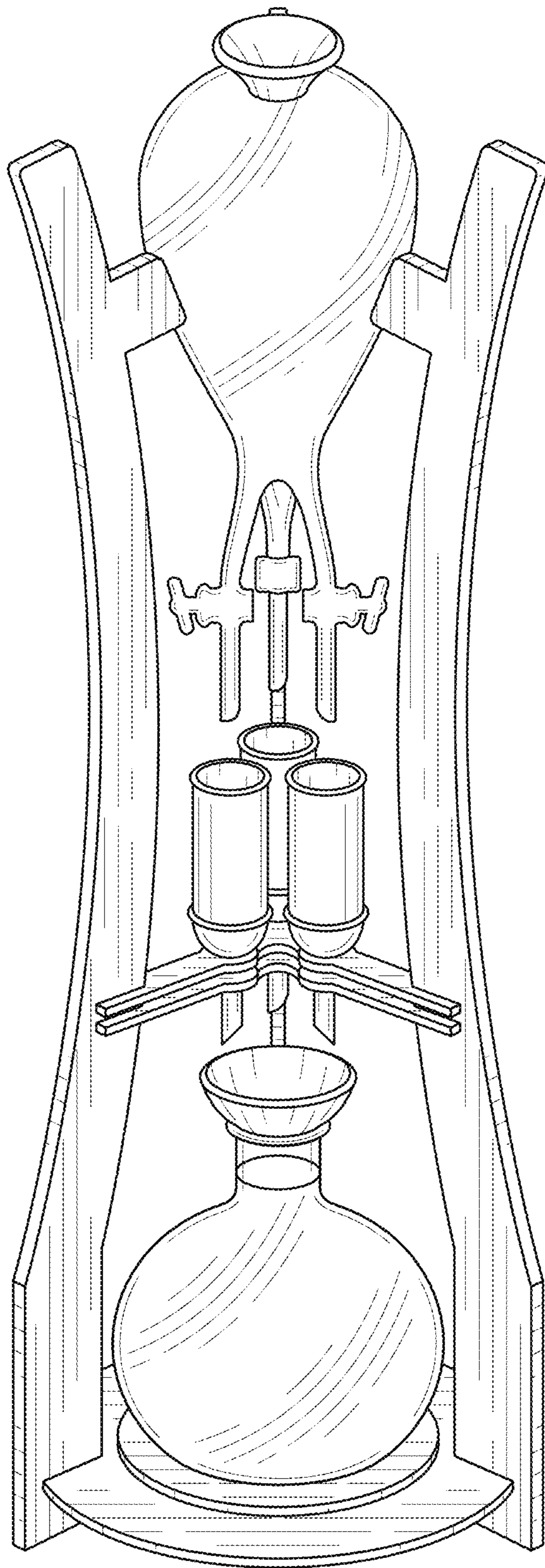
D47,681 S *	8/1915	Allen	.....	D7/310
1,157,778 A *	10/1915	Hemming et al.	..	A47G 29/1216
				210/477
1,382,574 A *	6/1921	Tortorice	.....	A47J 31/02
				99/288
1,494,691 A *	5/1924	Loggie	.....	A47J 31/043
				126/43

**DESCRIPTION**

FIG. 1 is a top perspective view of a cold brew coffee maker showing our new design; FIG. 2 is a front elevational view thereof; and, FIG. 3 is a top plan view thereof.

**1 Claim, 3 Drawing Sheets**





**FIG. 1**

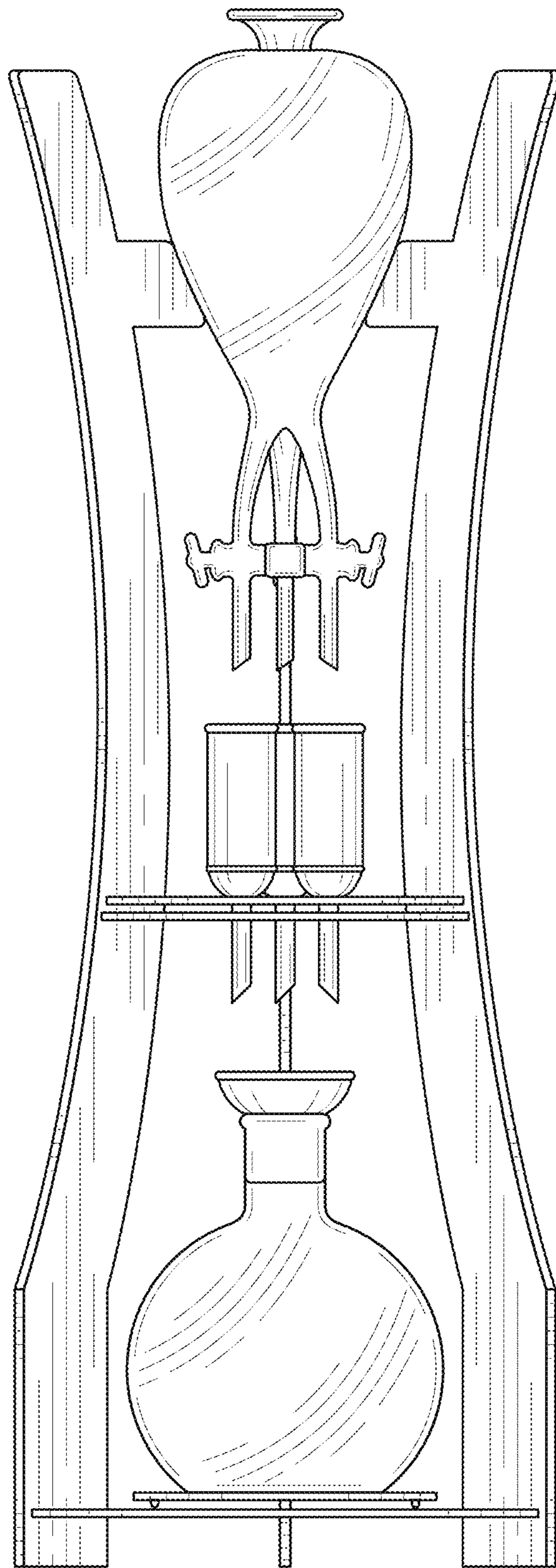
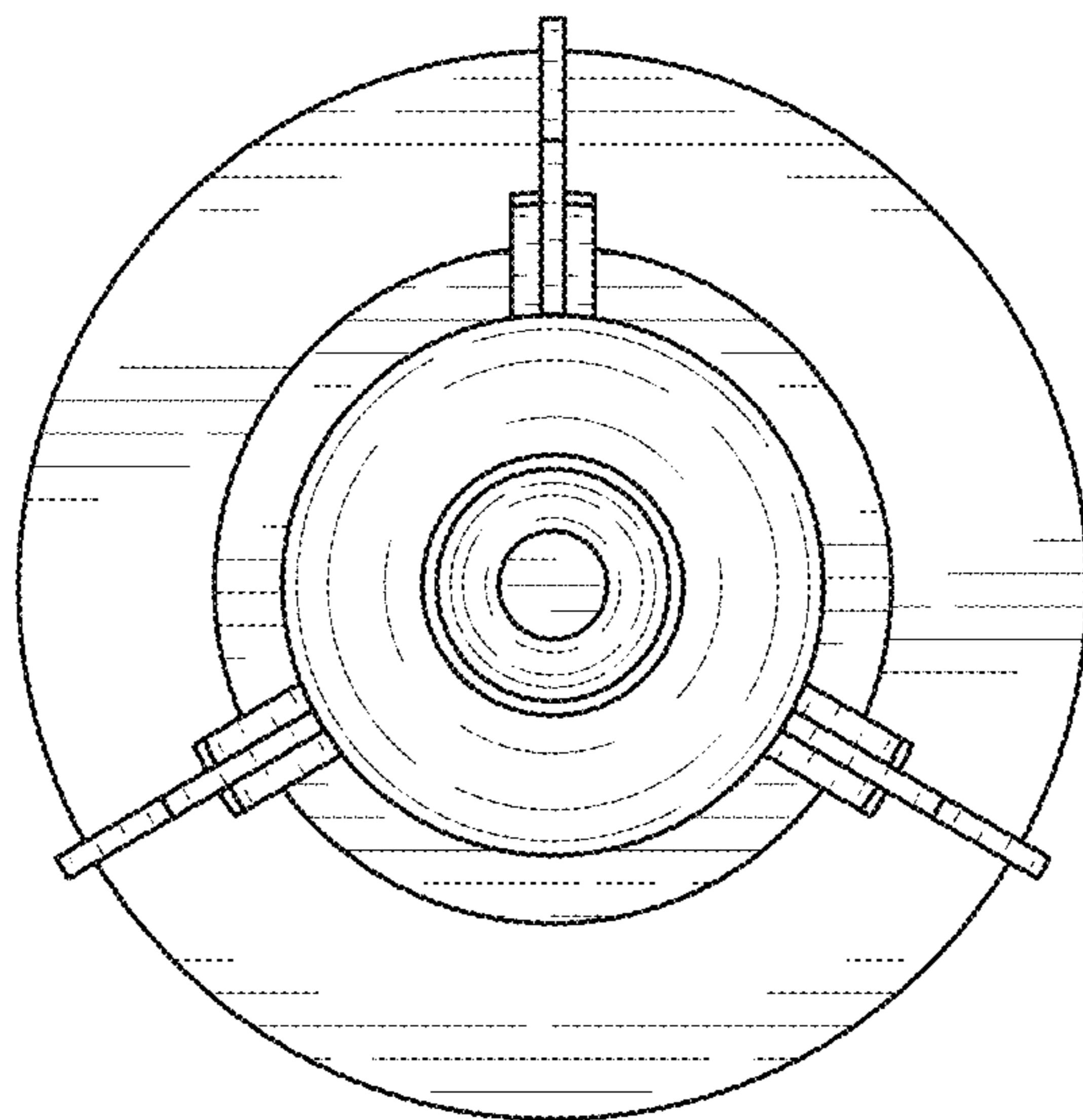


FIG. 2



**FIG. 3**