



US00D782858S

(12) **United States Design Patent**
Okuyama et al.

(10) **Patent No.:** **US D782,858 S**

(45) **Date of Patent:** **** Apr. 4, 2017**

- (54) **ARMREST**
- (71) Applicant: **YANMAR CO., LTD.**, Osaka (JP)
- (72) Inventors: **Kiyoyuki Okuyama**, Yamagata (JP);
Gaku Higashiguchi, Osaka (JP)
- (73) Assignee: **Yanmar Co., Ltd.**, Osaka (JP)
- (**) Term: **14 Years**
- (21) Appl. No.: **29/523,646**
- (22) Filed: **Apr. 13, 2015**
- (30) **Foreign Application Priority Data**
Oct. 15, 2014 (JP) 2014-023086
- (51) **LOC (10) Cl.** **06-01**
- (52) **U.S. Cl.**
USPC **D6/716.2**
- (58) **Field of Classification Search**
USPC D6/334-336, 366-380, 691.1, 716,
D6/716.1-716.4, 717; D12/421; D15/17,
D15/28
CPC .. A47C 1/03; A47C 7/54; A47C 7/453; A61G
15/10; B60N 2/4633; B60N 2/4646;
B60R 11/0241; B64D 11/06
See application file for complete search history.

- (56) **References Cited**
U.S. PATENT DOCUMENTS
3,116,093 A * 12/1963 Bosack A61G 15/10
297/115
4,496,190 A * 1/1985 Barley B60N 2/4633
297/411.32
D343,537 S * 1/1994 Harde D6/716.2

- 5,835,586 A * 11/1998 Skowronski B60R 11/0241
379/446
- D458,476 S * 6/2002 Tseng D6/366
- D463,458 S * 9/2002 Arthur D15/28
- D539,311 S * 3/2007 Honda D15/28
- D562,350 S * 2/2008 Higashikawa D12/218
- D581,861 S * 12/2008 Anttila D12/421
- D581,862 S * 12/2008 Anttila D12/421
- 8,132,861 B2 * 3/2012 Cone B60N 2/4646
297/411.32

(Continued)

Primary Examiner — Ricky Pham

(74) *Attorney, Agent, or Firm* — Norris McLaughlin & Marcus, P.A.

(57) **CLAIM**

The ornamental design for an armrest, as shown and described.

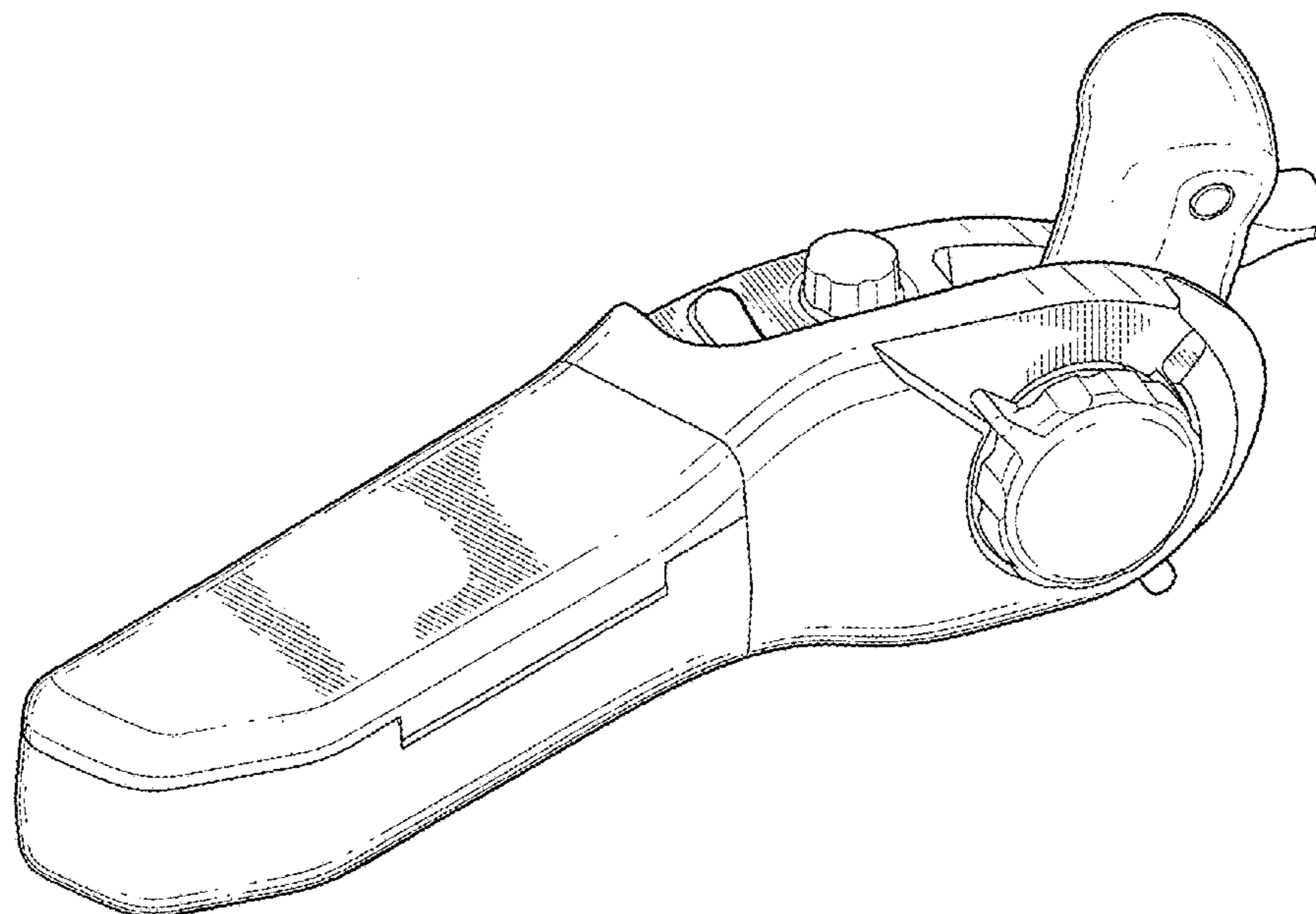
DESCRIPTION

FIG. 1 is a front side elevational view of an armrest showing one embodiment of our new design; FIG. 2 is a rear elevational view thereof; FIG. 3 is a top plan view thereof; FIG. 4 is a bottom plan view thereof; FIG. 5 is a right side elevational view thereof; FIG. 6 is a left side elevational view thereof; FIG. 7 is a front side perspective view thereof; FIG. 8 is another front side perspective view thereof; and, FIG. 9 is a perspective view thereof showing use of our new design.

The broken lines shown in the drawings are for illustrative purposes only and form no part of the claimed design.

The article according to the present design application is an armrest which is provided at one side of an operator's seat of a working vehicle such as a tractor.

1 Claim, 9 Drawing Sheets



(56)

References Cited

U.S. PATENT DOCUMENTS

8,534,761 B2 *	9/2013	Saxton	B64D 11/06 297/411.32
8,950,816 B2 *	2/2015	Ott	B60N 2/4606 297/411.32

* cited by examiner

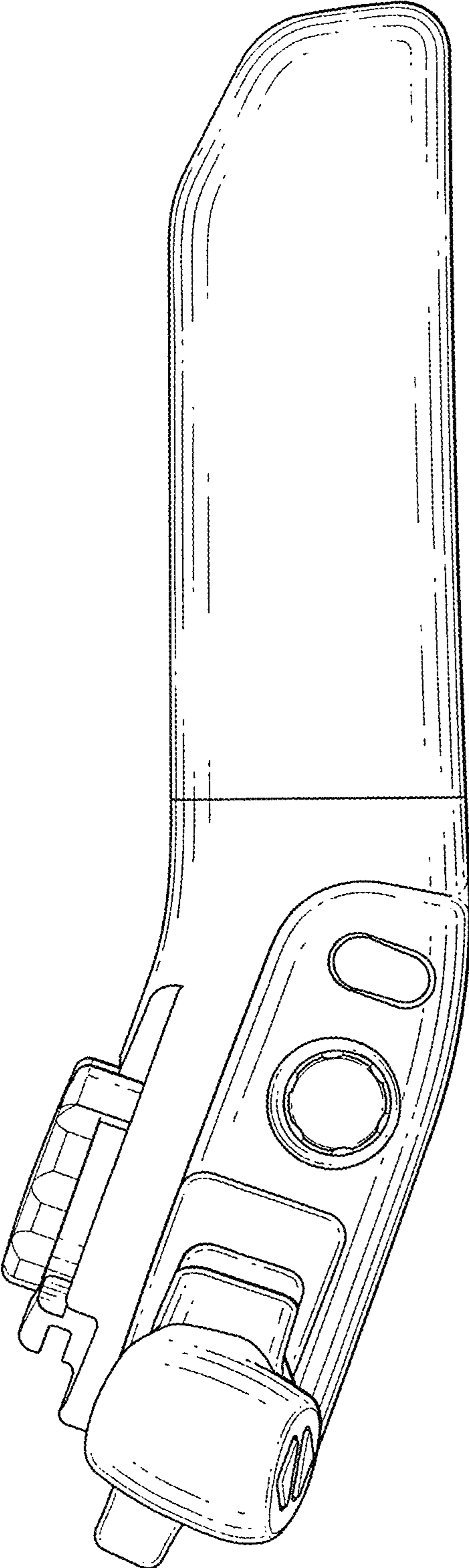


FIG. 1

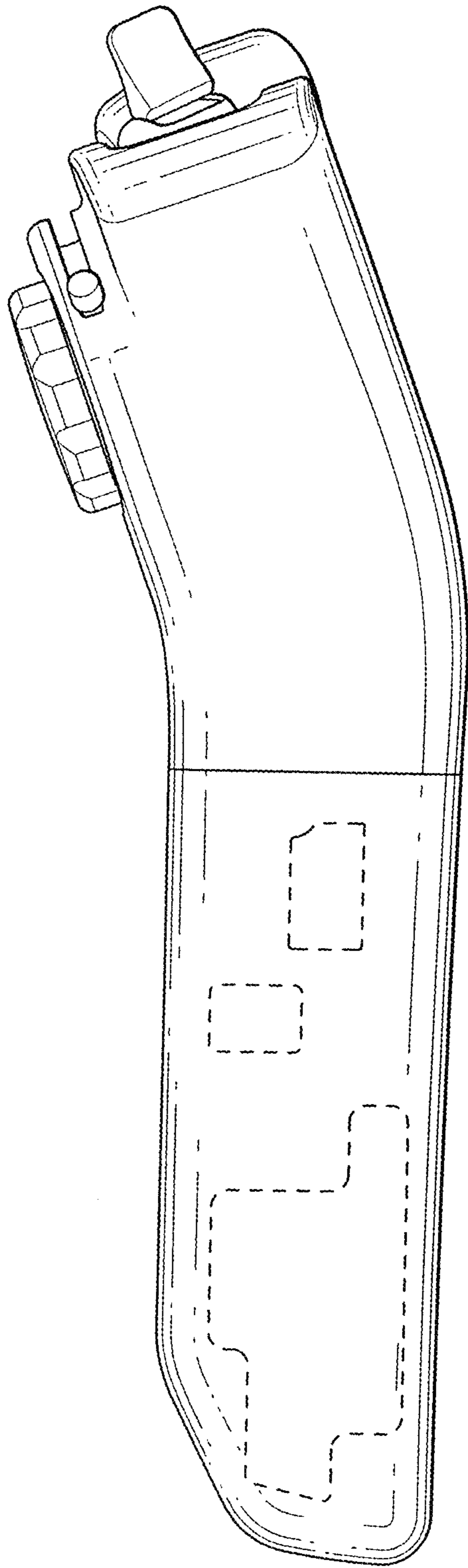


FIG. 2

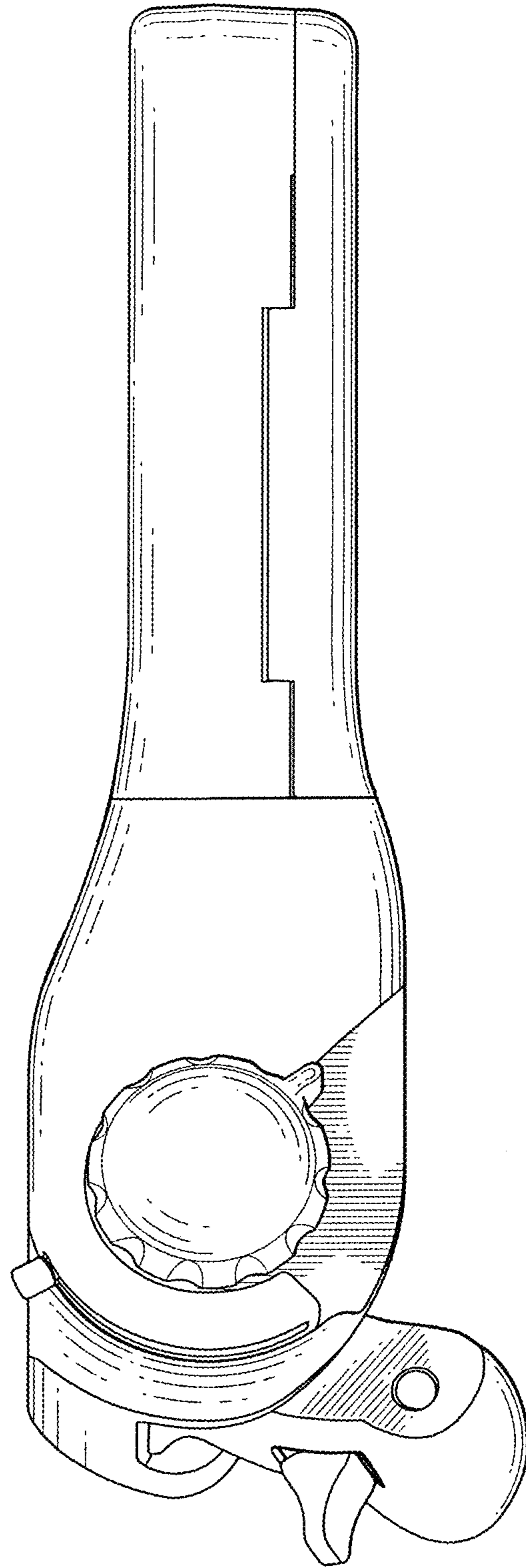


FIG. 3

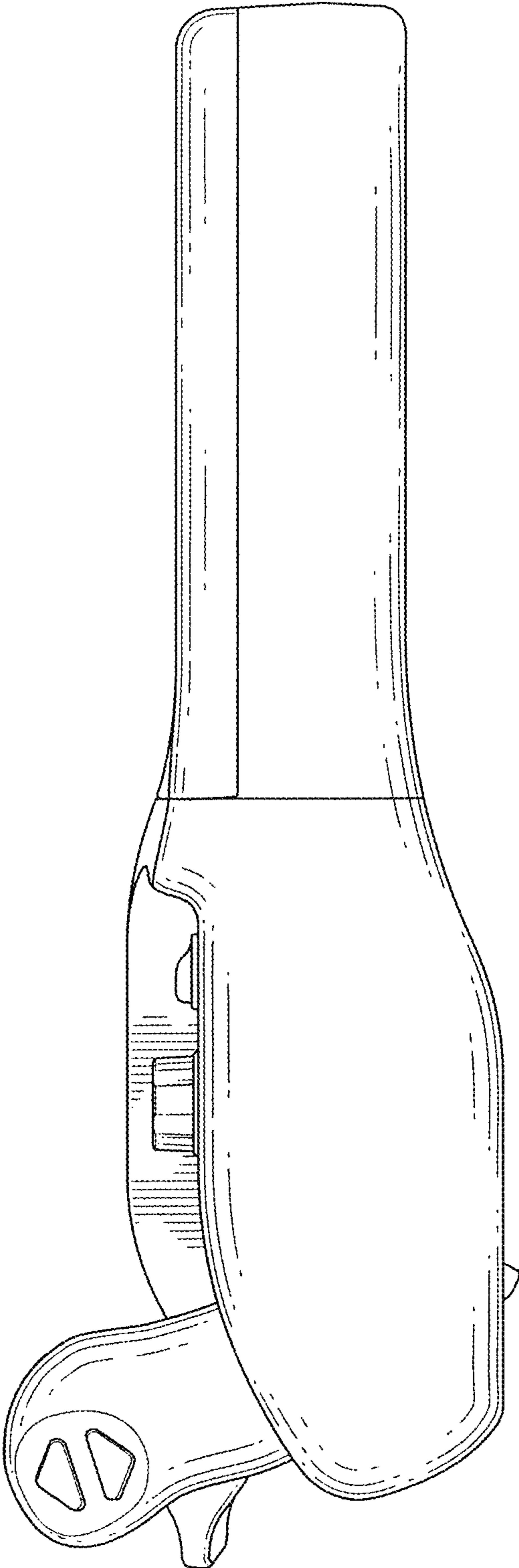


FIG. 4

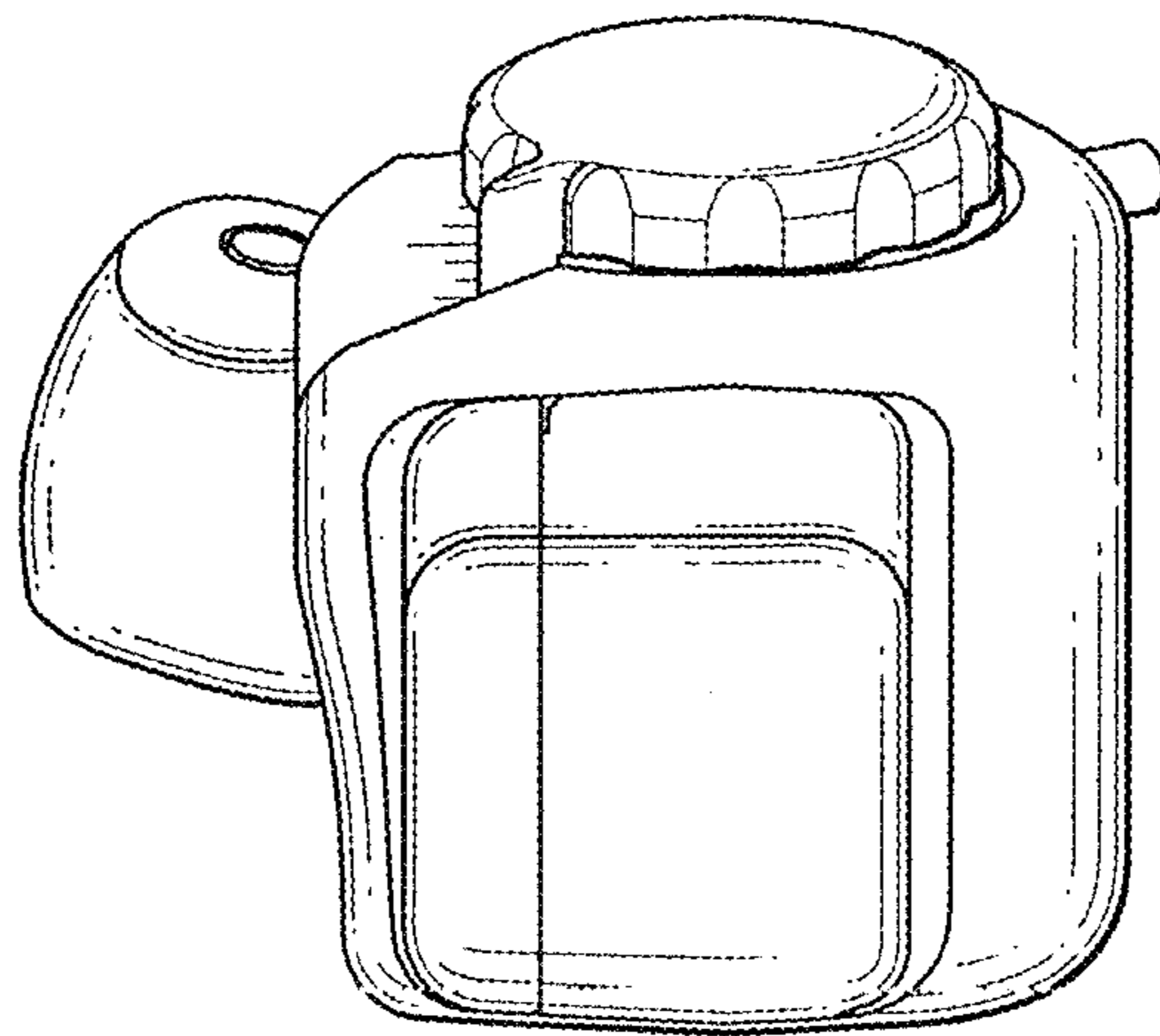


FIG. 5

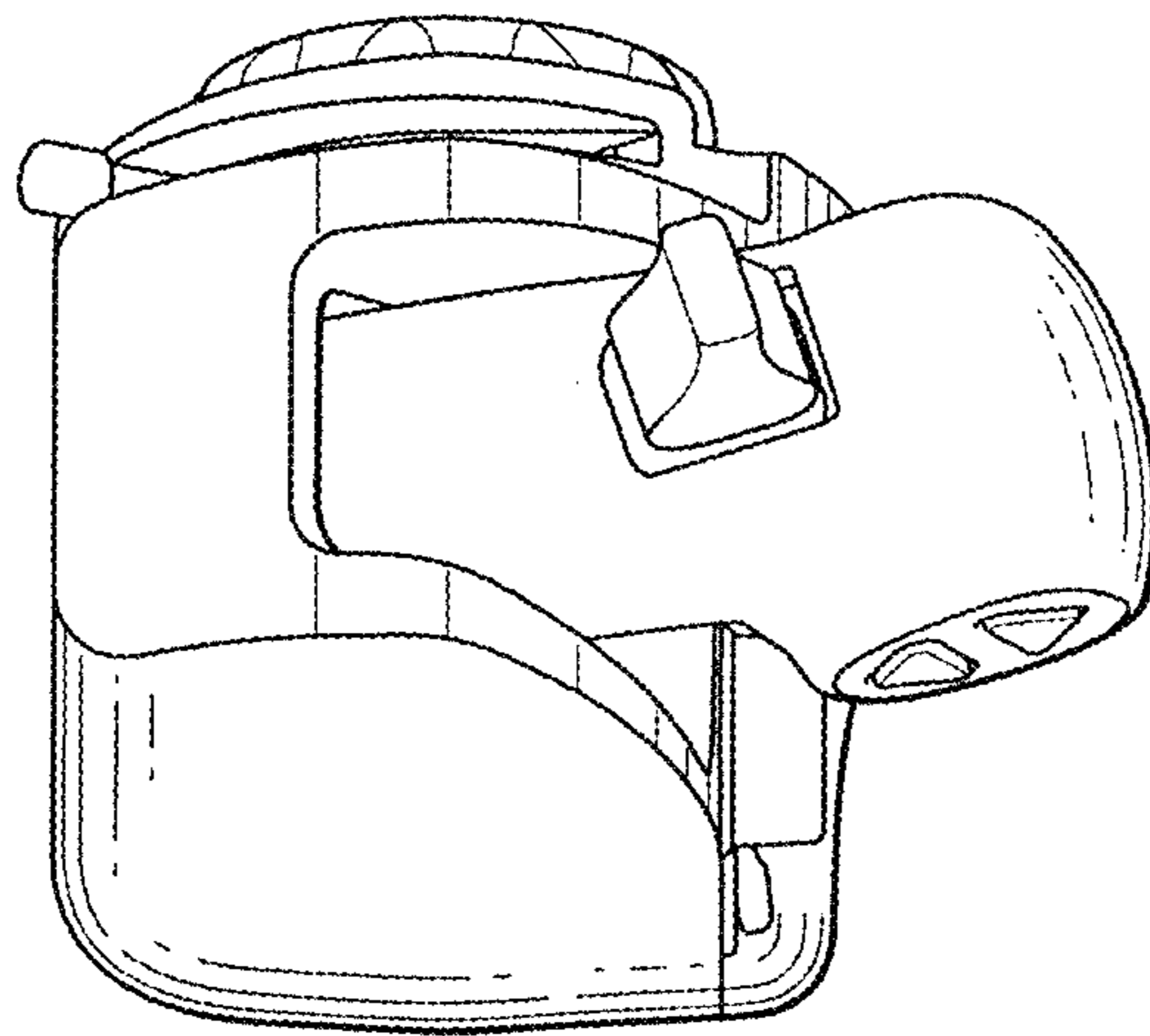


FIG. 6

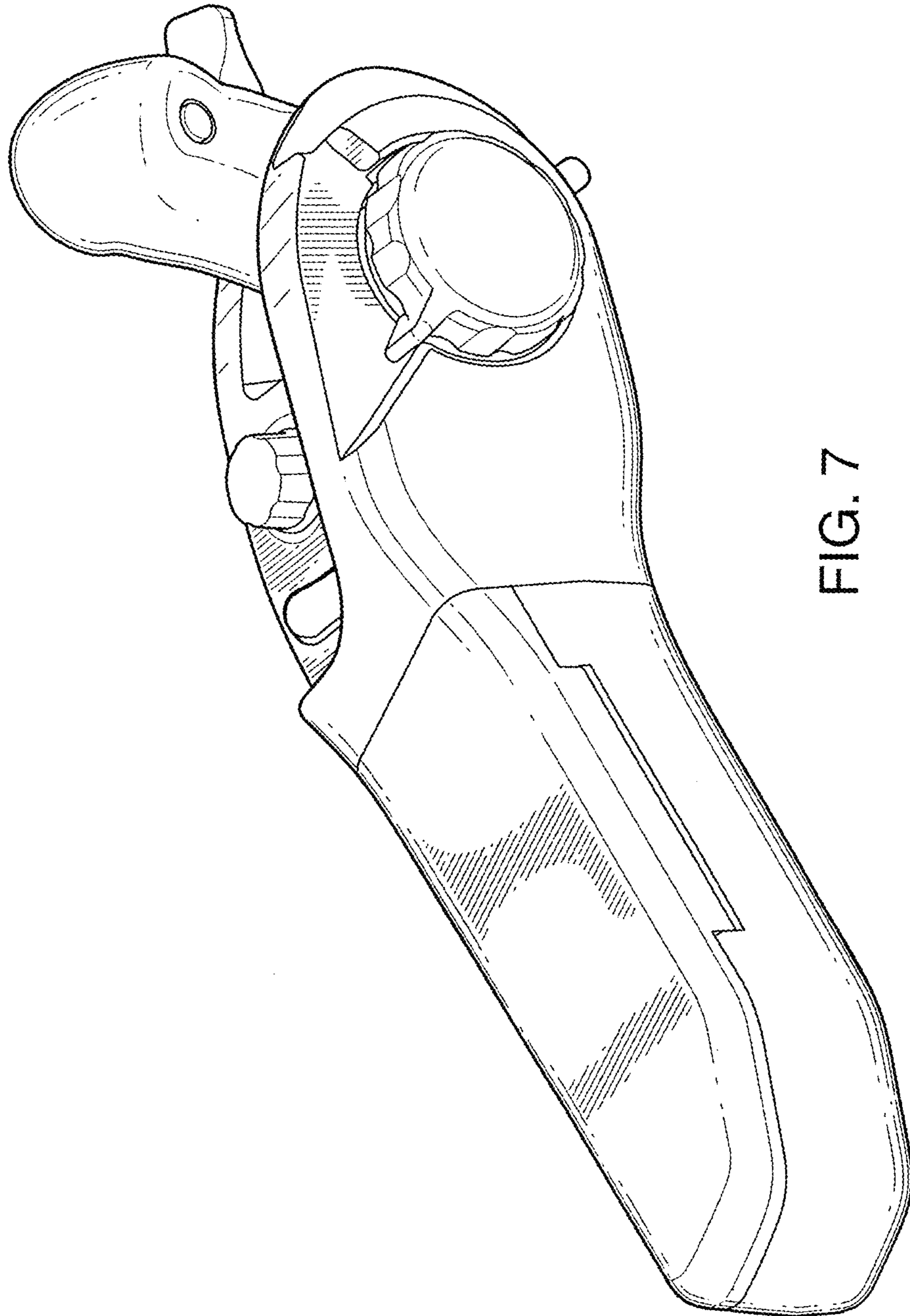


FIG. 7

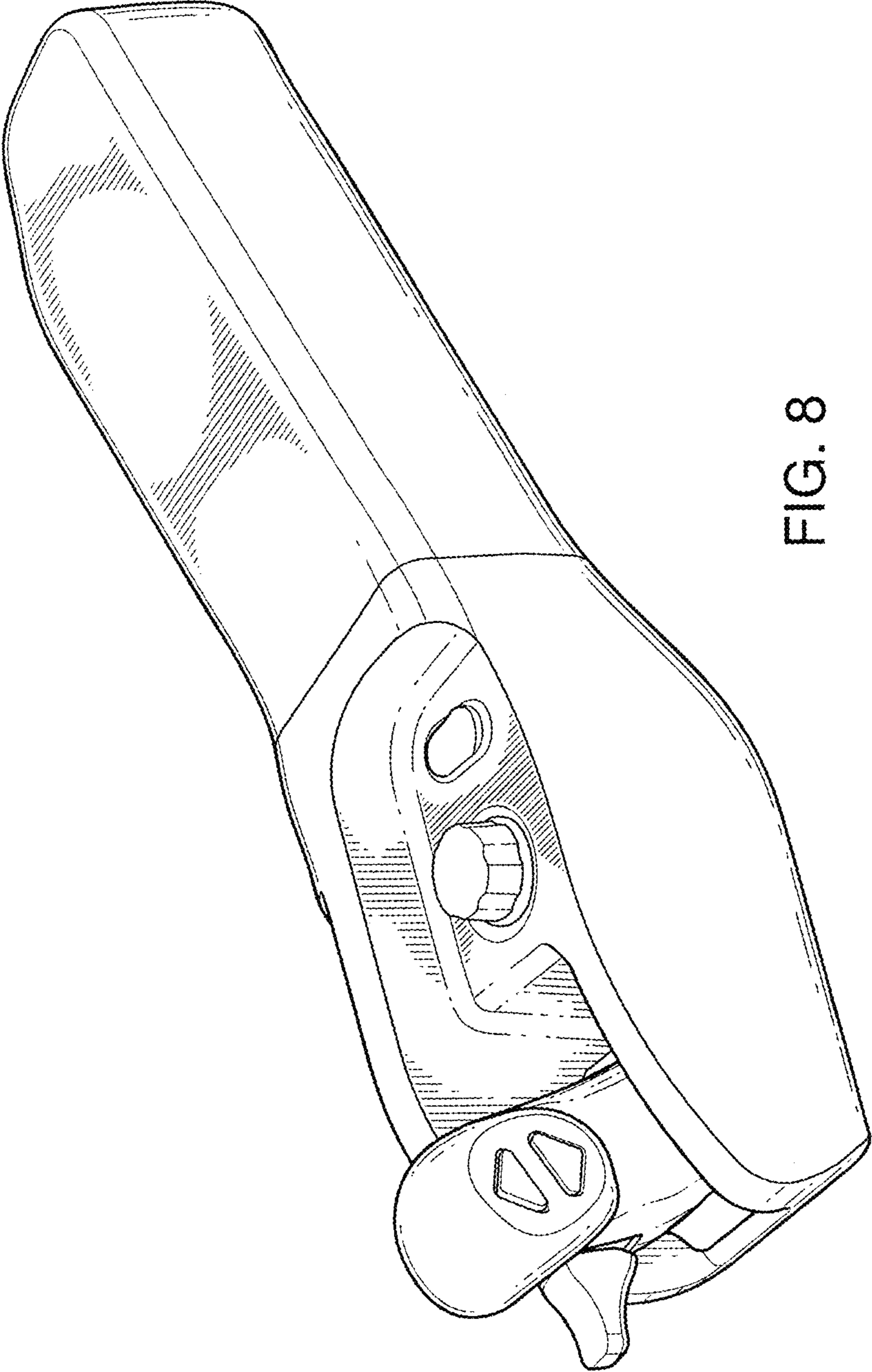


FIG. 8

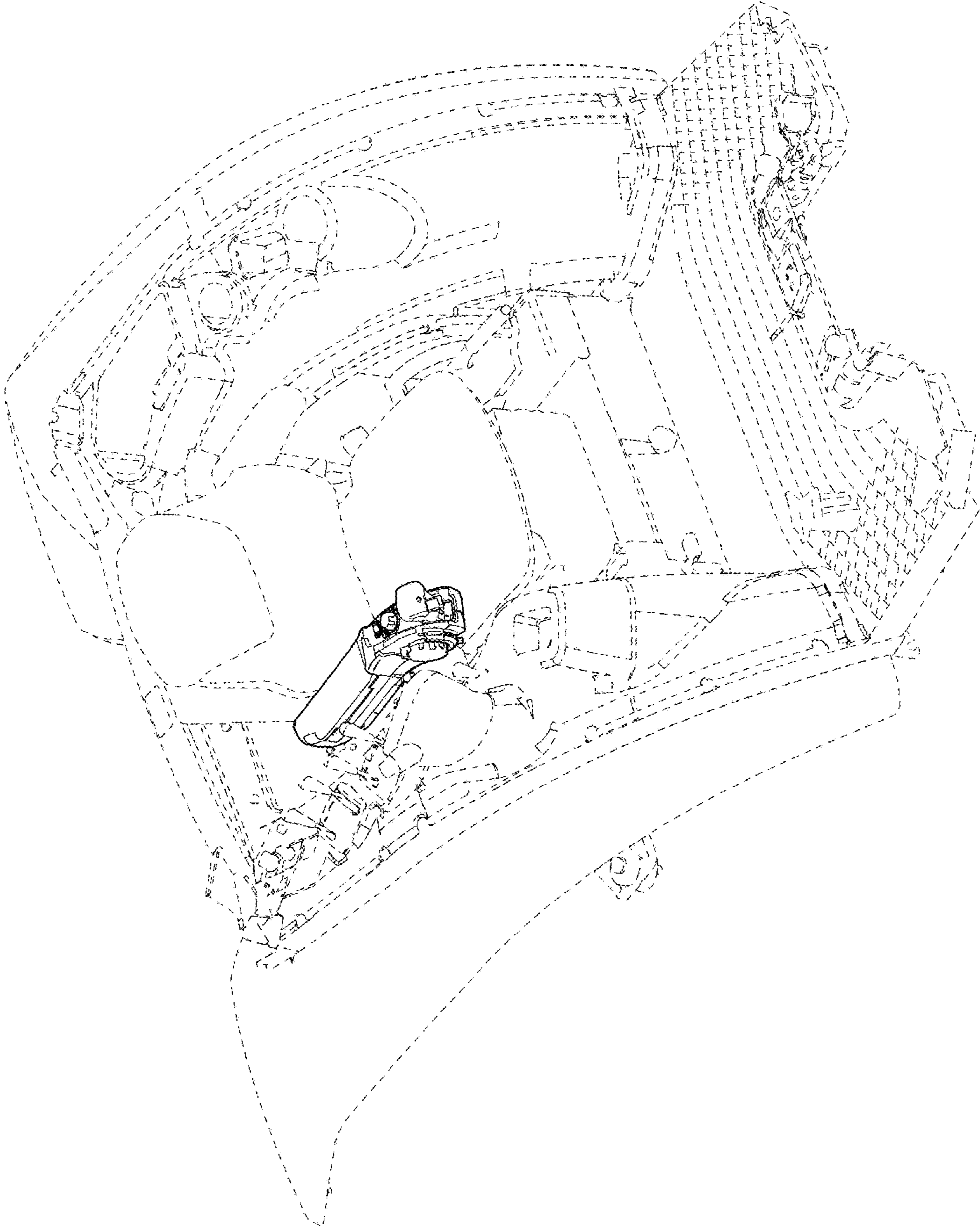


FIG. 9