



US00D782856S

(12) **United States Design Patent**
Broen et al.

(10) **Patent No.:** **US D782,856 S**
(45) **Date of Patent:** **** Apr. 4, 2017**

(54) **TABLE**
(71) Applicant: **PepsiCo, Inc.**, Purchase, NY (US)
(72) Inventors: **Martin Eduardo Broen**, New York, NY (US); **Stephen Lim**, Chappaqua, NY (US); **Eric Bogner**, Brooklyn, NY (US); **Martin Ivar Franzen**, Milan (IT); **Adrian Taylor**, Austin, TX (US); **Aaron vom Eigen**, Austin, TX (US)

D338,359 S * 8/1993 Sorenson D6/692.3
5,353,716 A * 10/1994 Wilbert A47B 7/02
108/150
5,363,772 A * 11/1994 Adamidis A47B 9/00
108/66
D387,585 S * 12/1997 Shields D6/656.15
D403,183 S * 12/1998 Lewis D6/692.3
D542,570 S * 5/2007 Tabashi D6/692
D562,599 S * 2/2008 Everson D6/692.3
D613,096 S * 4/2010 Stoepker D6/692.3
D659,435 S * 5/2012 Sofield D6/692.3
D745,297 S * 12/2015 Ye D6/692.3
D769,036 S * 10/2016 Manea D6/692.3
2015/0083029 A1* 3/2015 Pan A47B 13/088
108/104

(73) Assignee: **PepsiCo, Inc.**, Purchase, NY (US)
(**) Term: **15 Years**

* cited by examiner

(21) Appl. No.: **29/527,794**

Primary Examiner — John Windmuller
Assistant Examiner — Steven Czyz

(22) Filed: **May 21, 2015**

(51) **LOC (10) Cl.** **06-03**

(74) *Attorney, Agent, or Firm* — Sterne, Kessler, Goldstein & Fox P.L.L.C.

(52) **U.S. Cl.**
USPC **D6/692.3**

(58) **Field of Classification Search**
USPC D6/641, 685, 692, 692.1, 692.3, 708.17, D6/708.2; 108/150, 151, 152, 153.1, 161, 108/159; 248/188, 188.1, 188.5
CPC ... A47B 2009/006; A47B 13/00; A47B 13/02; A47B 13/04; A47B 13/023; A47B 2013/006; A47B 9/00; A47B 9/04; A47B 9/02; A47B 13/023
See application file for complete search history.

(57) **CLAIM**

The ornamental design for a table, as shown and described.

DESCRIPTION

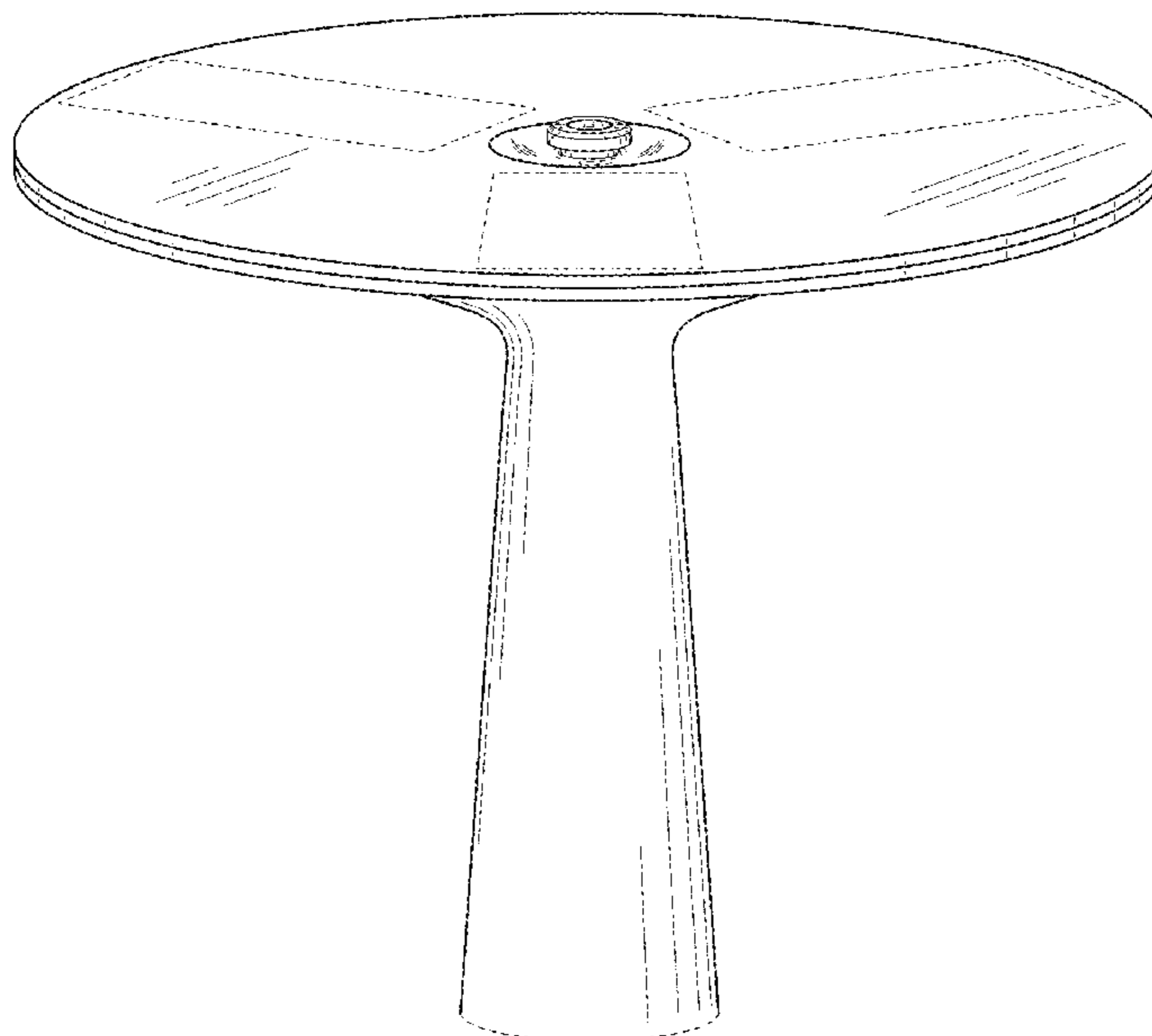
FIG. 1 is a front perspective view of a table showing our new design;
FIG. 2 is a front view thereof;
FIG. 3 is a top view thereof;
FIG. 4 is an enlarged front perspective view showing a portion of the claimed design; and,
FIG. 5 is an enlarged rear perspective view showing a portion of the claimed design.
The broken lines immediately adjacent to the shaded area represent unclaimed boundaries of the design. The broken lines show portions of the table that form no part of the claimed design.

(56) **References Cited**

U.S. PATENT DOCUMENTS

D38,140 S * 7/1906 Paurowicz D6/692.3
3,683,824 A * 8/1972 Weber A47B 9/00
108/150
D233,719 S * 11/1974 Everard et al. D6/692.3
D281,559 S * 12/1985 Murry D6/692.4
D323,263 S * 1/1992 Blackburn D6/686

1 Claim, 5 Drawing Sheets



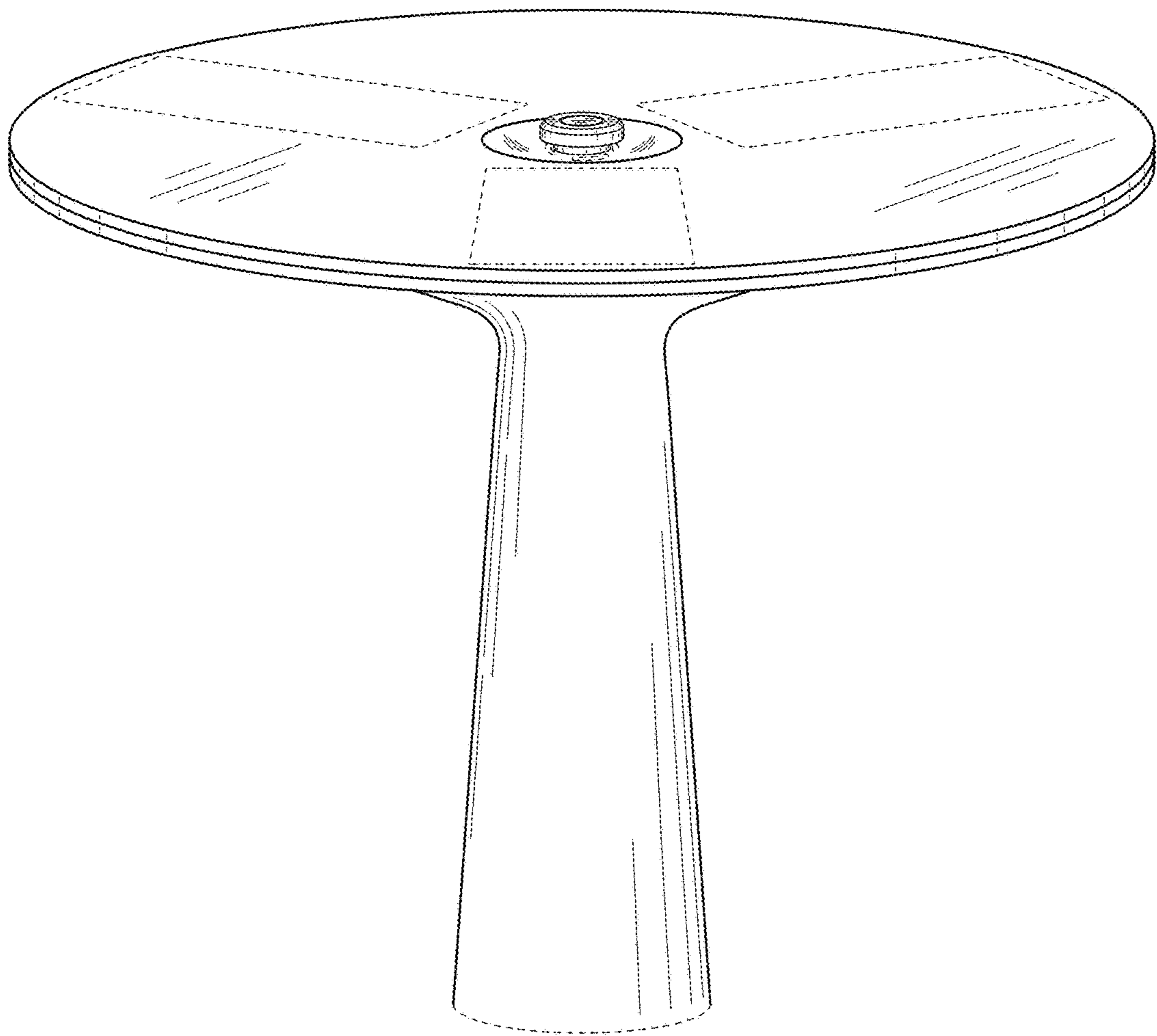


FIG. 1

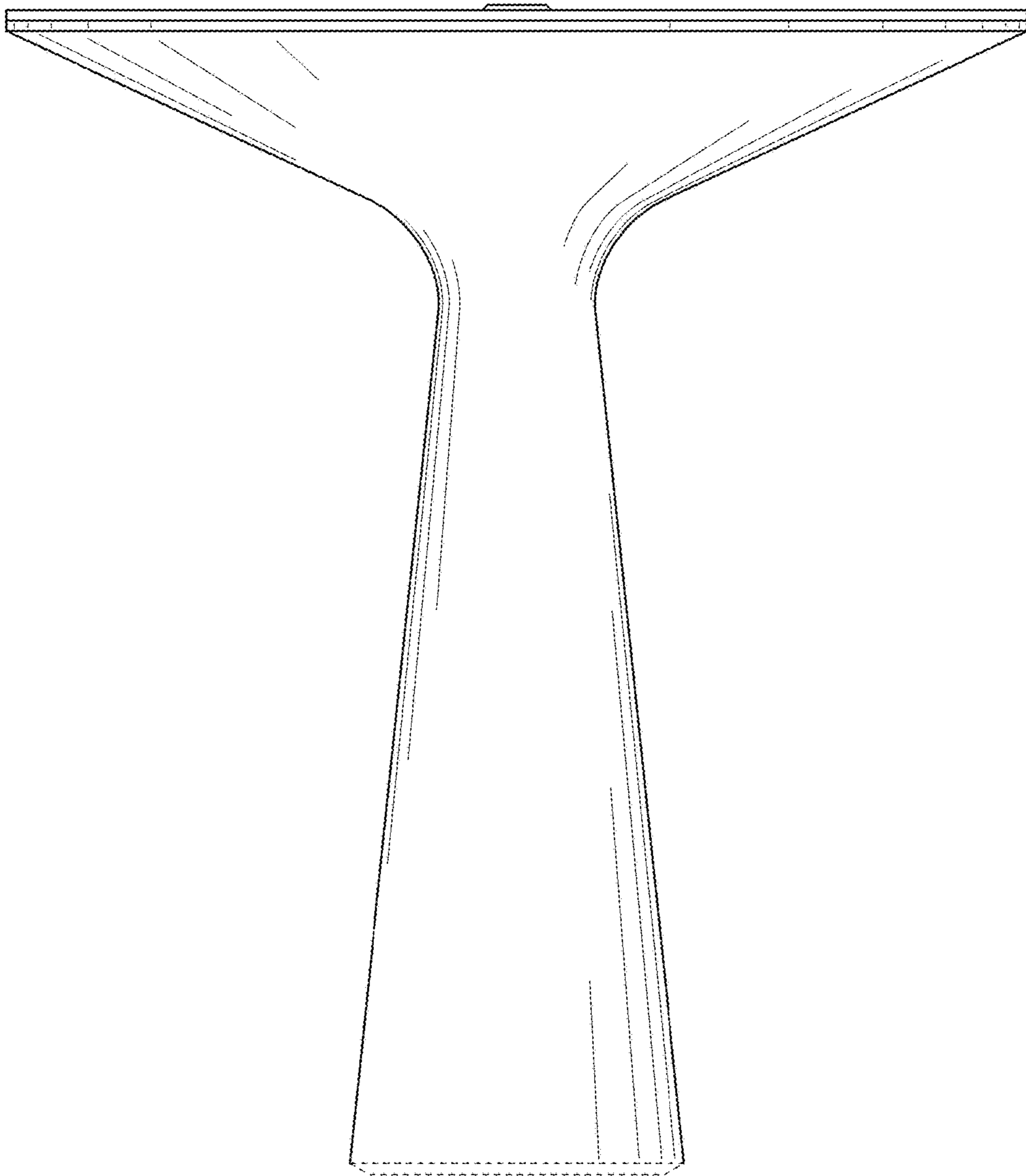


FIG. 2

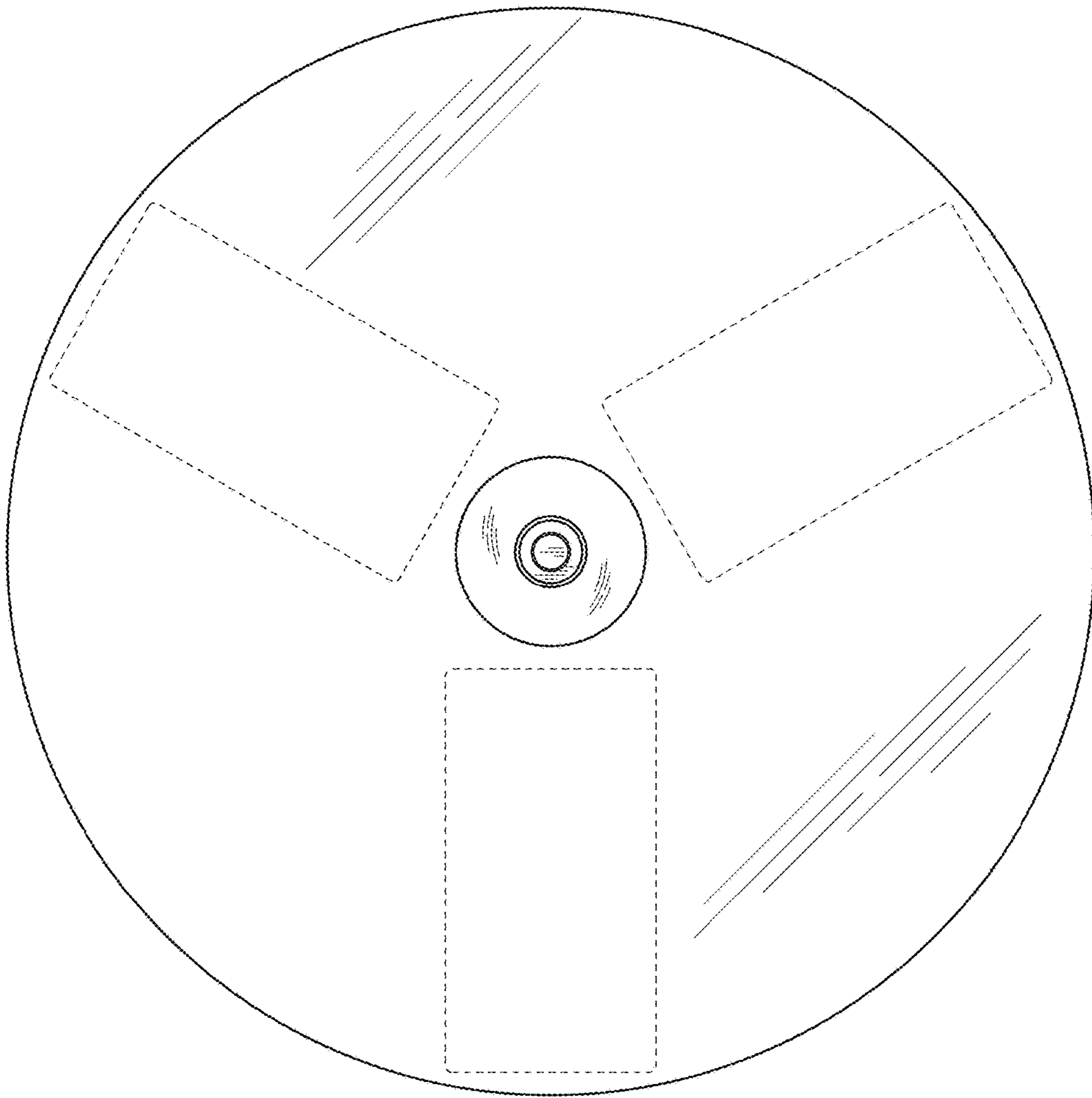


FIG. 3

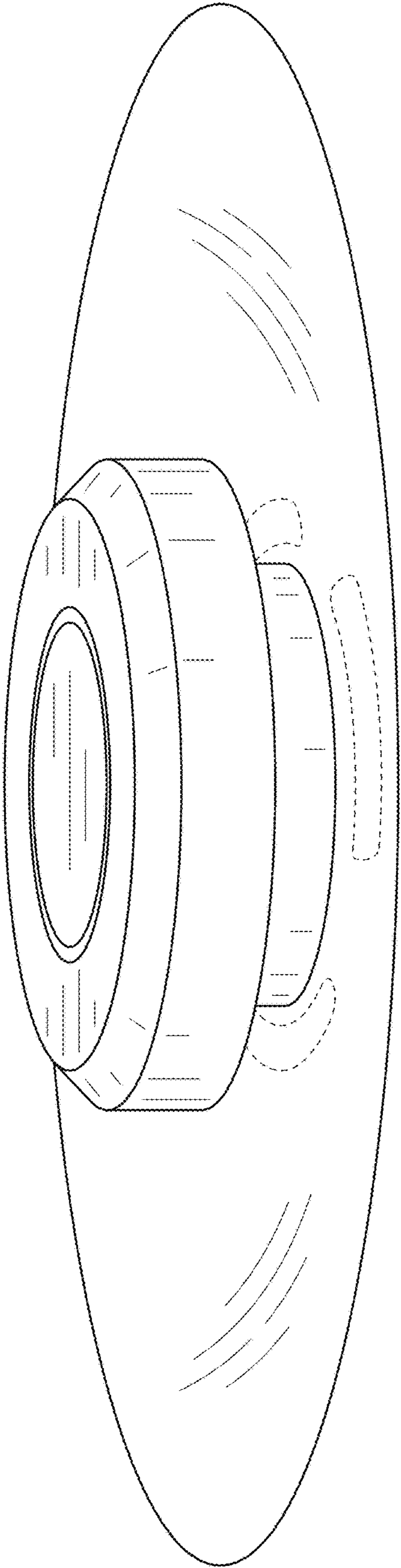


FIG. 4

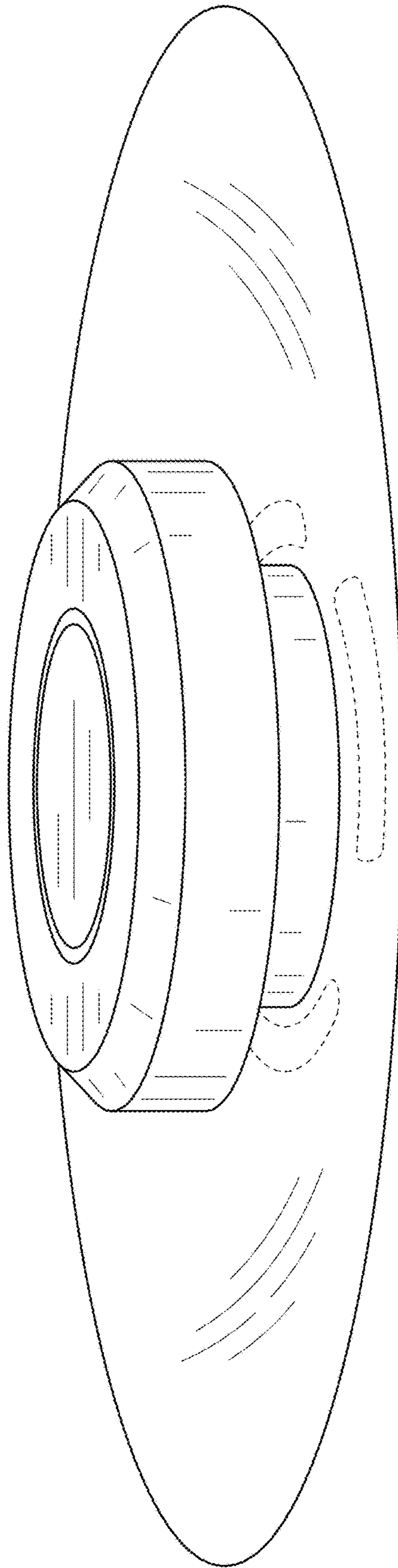


FIG. 5