



US00D782854S

(12) **United States Design Patent**
Graham

(10) **Patent No.:** **US D782,854 S**

(45) **Date of Patent:** **** Apr. 4, 2017**

(54) **TABLE**

(71) Applicant: **Ward Haskell Graham**, Carson City, NV (US)

(72) Inventor: **Ward Haskell Graham**, Carson City, NV (US)

(**) Term: **14 Years**

(21) Appl. No.: **29/504,322**

(22) Filed: **Oct. 3, 2014**

(51) **LOC (10) Cl.** **06-03**

(52) **U.S. Cl.**
USPC **D6/686**

(58) **Field of Classification Search**

USPC D6/332, 337, 357, 406.3, 553, 555, 641, D6/643, 643.1, 644, 648, 648.2, 648.3, D6/653, 653.1, 654, 654.18, 656, 656.13, D6/656.15, 672, 685, 687, 692, 692.3, D6/692.4, 698, 708, 708.17, 574, 704, D6/707.16, 686, 691

CPC A47B 3/00; A47B 5/00; A47B 7/00; A47B 7/02; A47B 21/00; A47B 21/0314; A47B 2021/0364; A47B 23/00; A47B 23/001; A47B 23/04; A47B 31/06; B64D 11/00; B64D 11/0007; B60N 3/001

See application file for complete search history.

(56) **References Cited**

U.S. PATENT DOCUMENTS

3,181,485 A * 5/1965 Dotson A47B 5/04
108/152
3,285,206 A * 11/1966 Hoffman A47B 5/04
108/134

D292,249 S * 10/1987 Stade D6/406.3
D300,999 S * 5/1989 Hanna D6/555
D315,463 S * 3/1991 Spiegel D12/133
D323,091 S * 1/1992 Boschetto D6/574
D355,990 S * 3/1995 Vincelli D6/555
D361,238 S * 8/1995 Richards D6/574
5,820,194 A * 10/1998 Slayter B60N 3/002
108/45
D443,163 S * 6/2001 Welch D6/574
D575,546 S * 8/2008 Tsay D14/457
2015/0097012 A1 * 4/2015 Graham B60N 3/005
224/539
2016/0157603 A1 * 6/2016 Graham A47B 37/00
108/44
2016/0213146 A1 * 7/2016 Gosling A47B 9/12

* cited by examiner

Primary Examiner — Mary Ann Calabrese

(74) *Attorney, Agent, or Firm* — Wenderoth, Lind & Ponack, L.L.P.

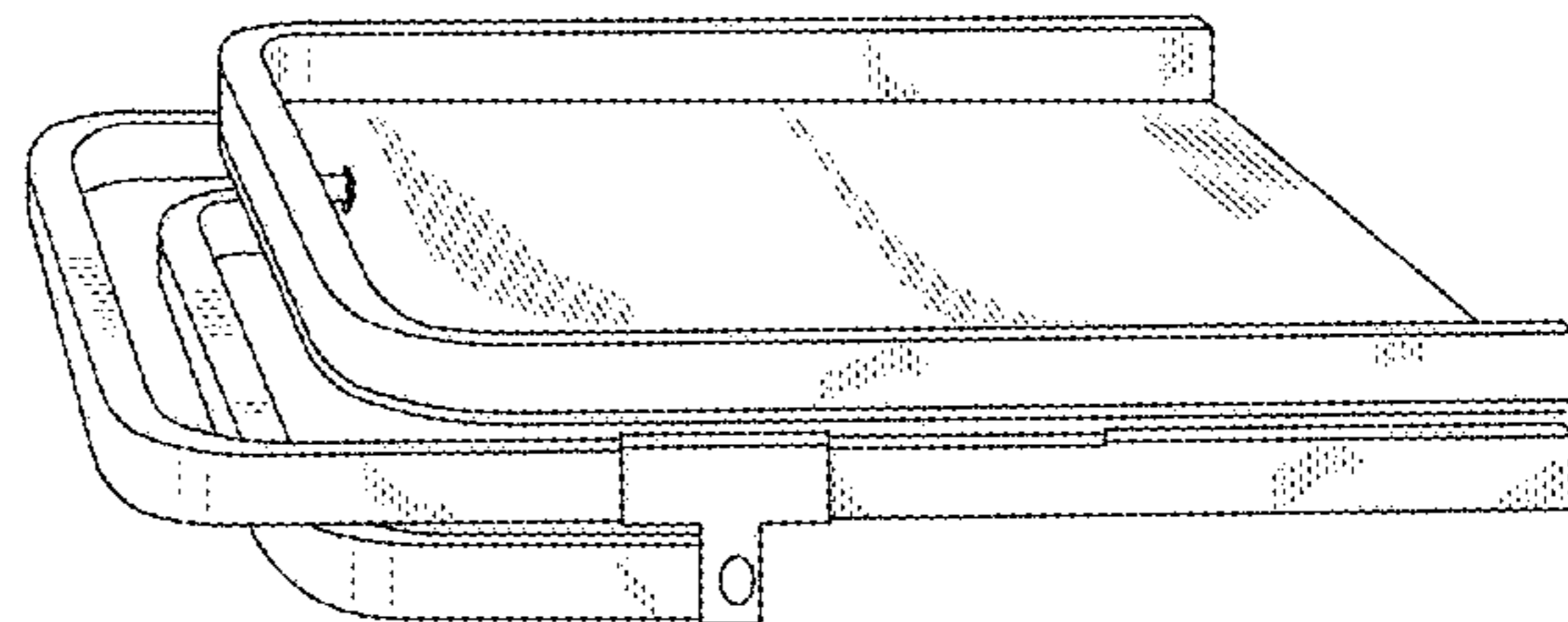
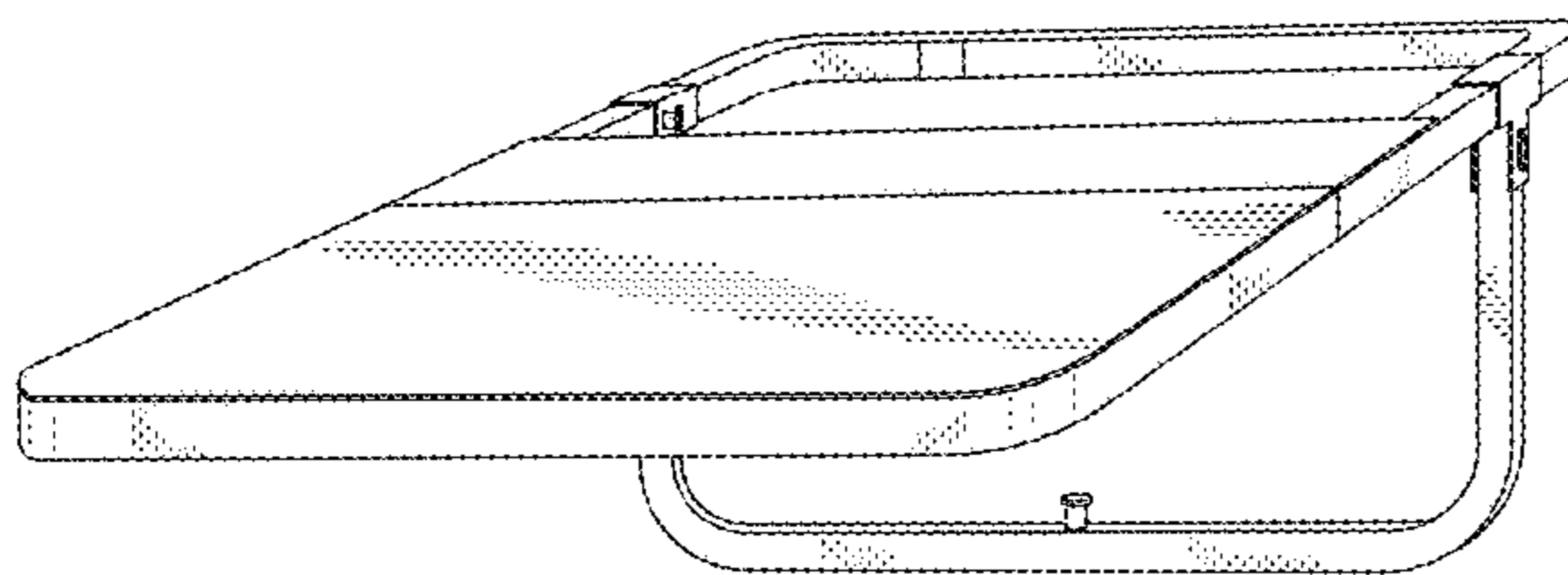
(57) **CLAIM**

I claim ornamental design for the table, as shown and described.

DESCRIPTION

FIG. 1 is a front perspective view of the table;
FIG. 2 is a rear perspective view of the table;
FIG. 3 is a right side perspective view of the table with the left side being a mirror image thereof;
FIG. 4 is a top perspective view of the table;
FIG. 5 is a bottom perspective view of the table; and,
FIG. 6 is a side perspective view of the table in a folded, alternative position.

1 Claim, 3 Drawing Sheets



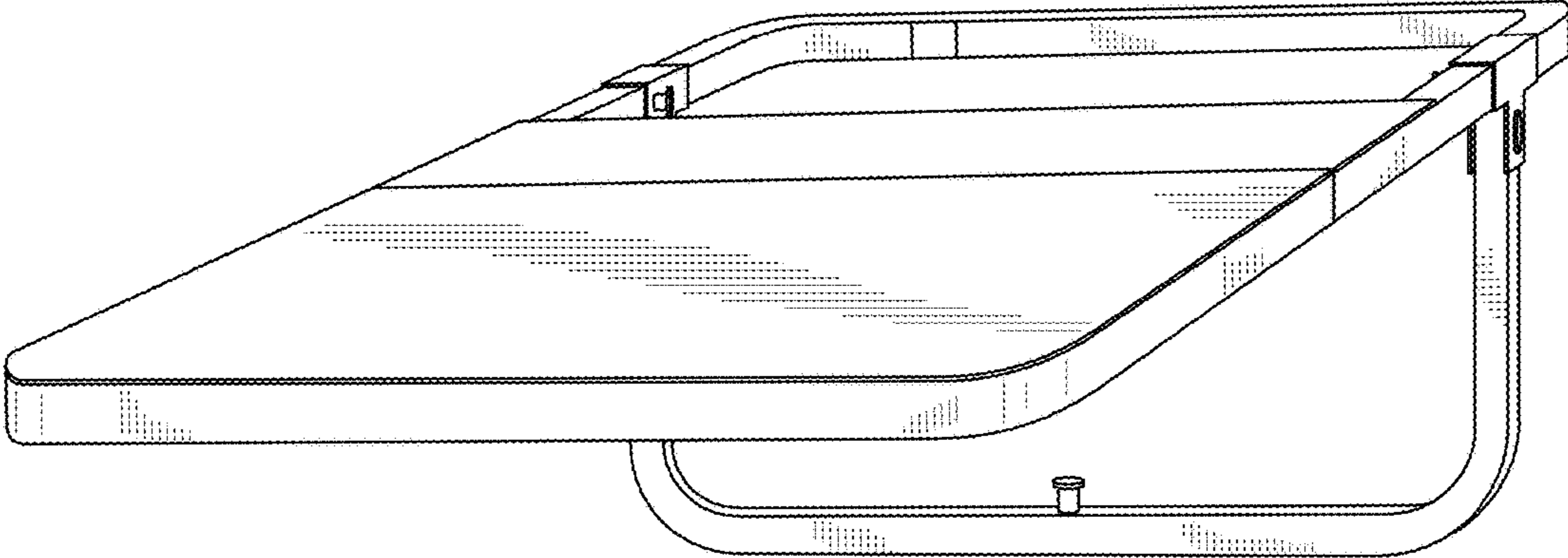


FIG. 1

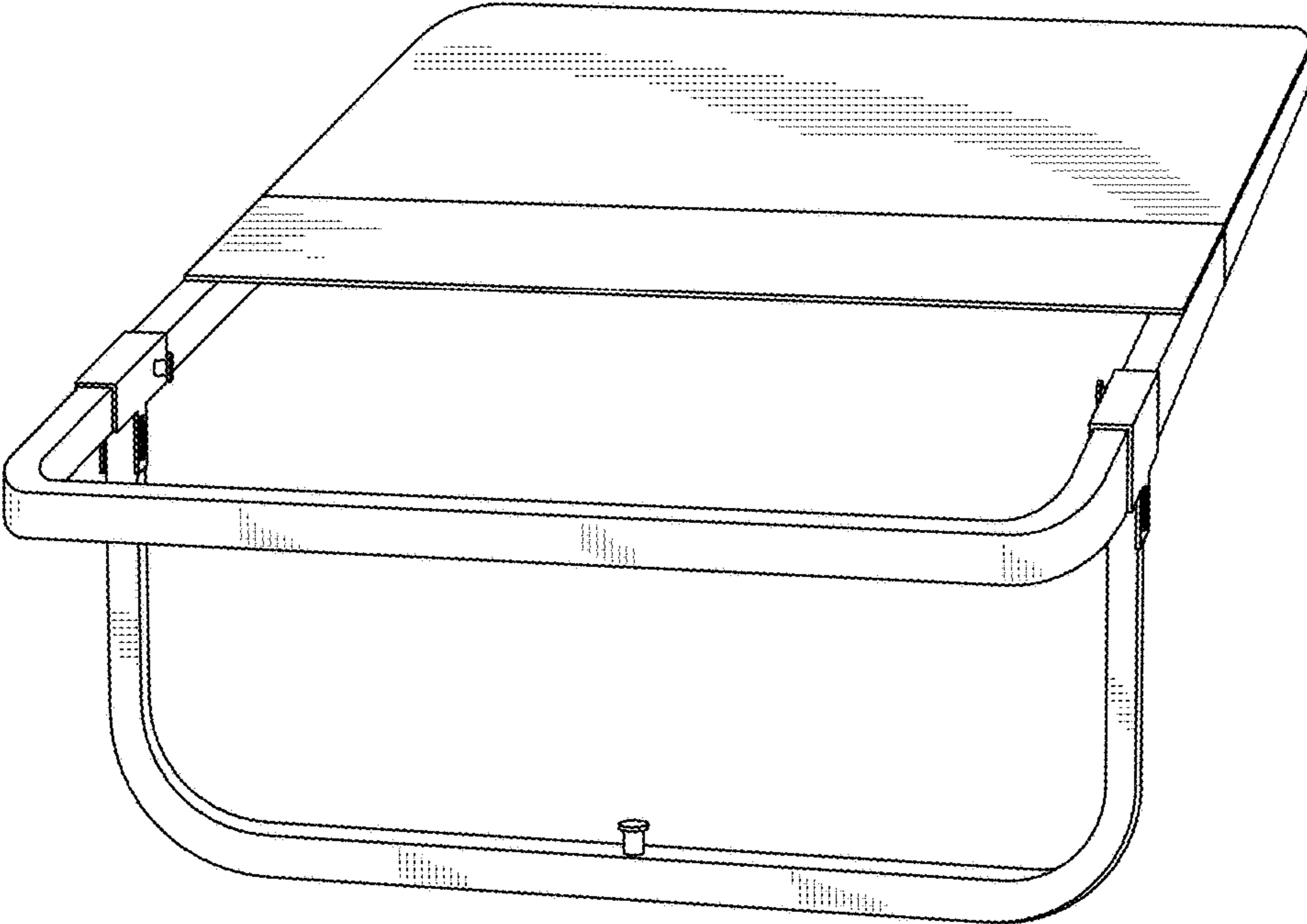


FIG. 2

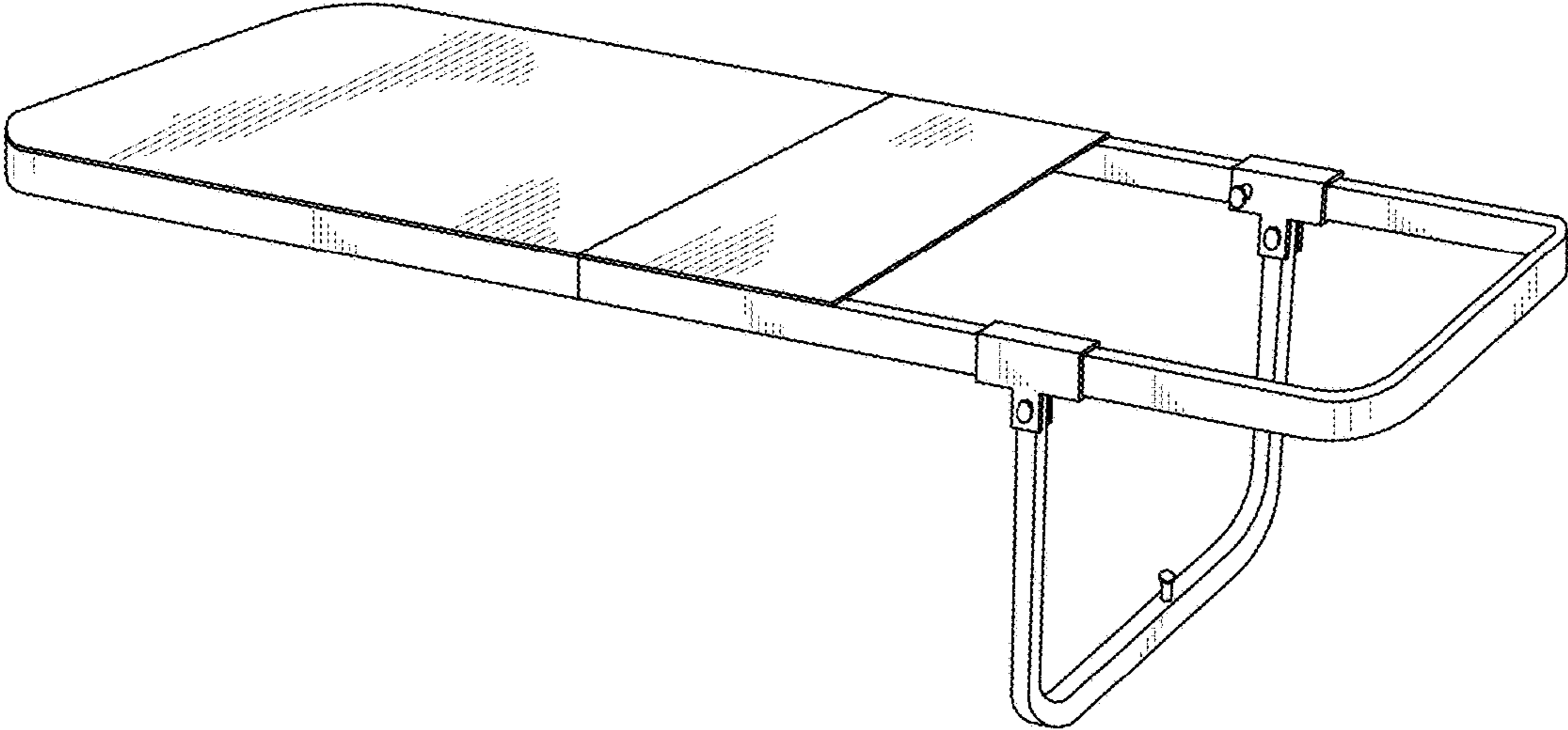


FIG. 3

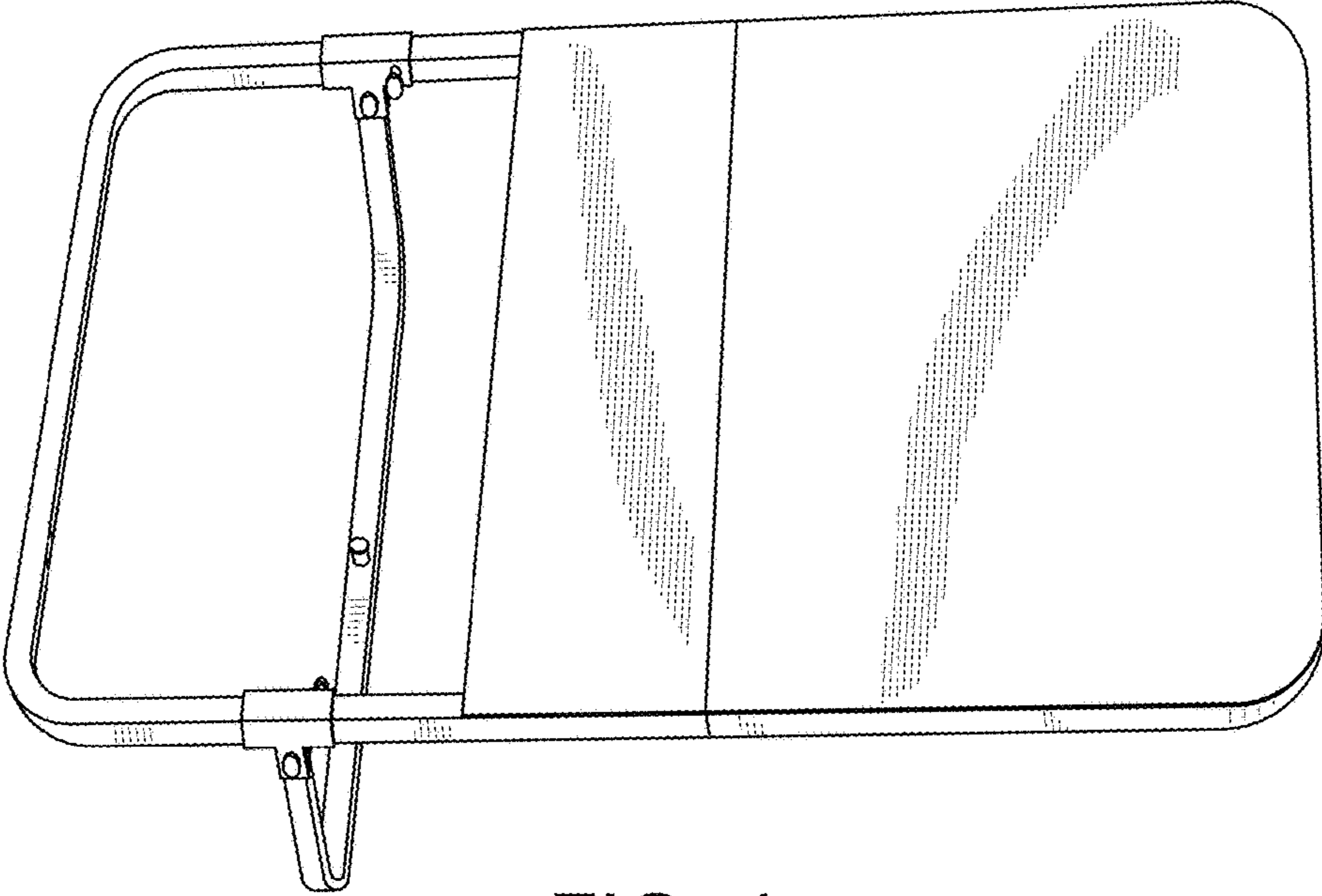


FIG. 4

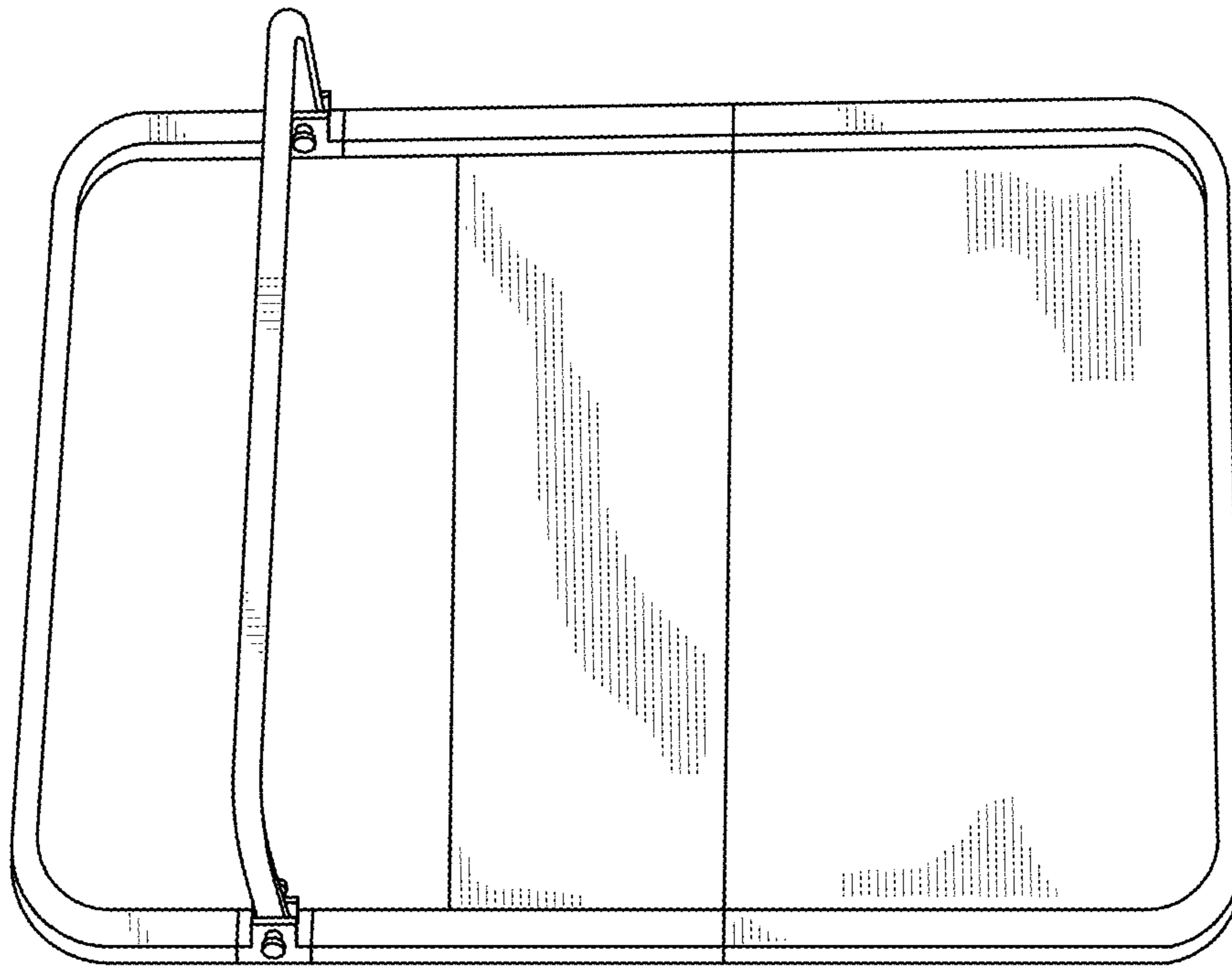


FIG. 5

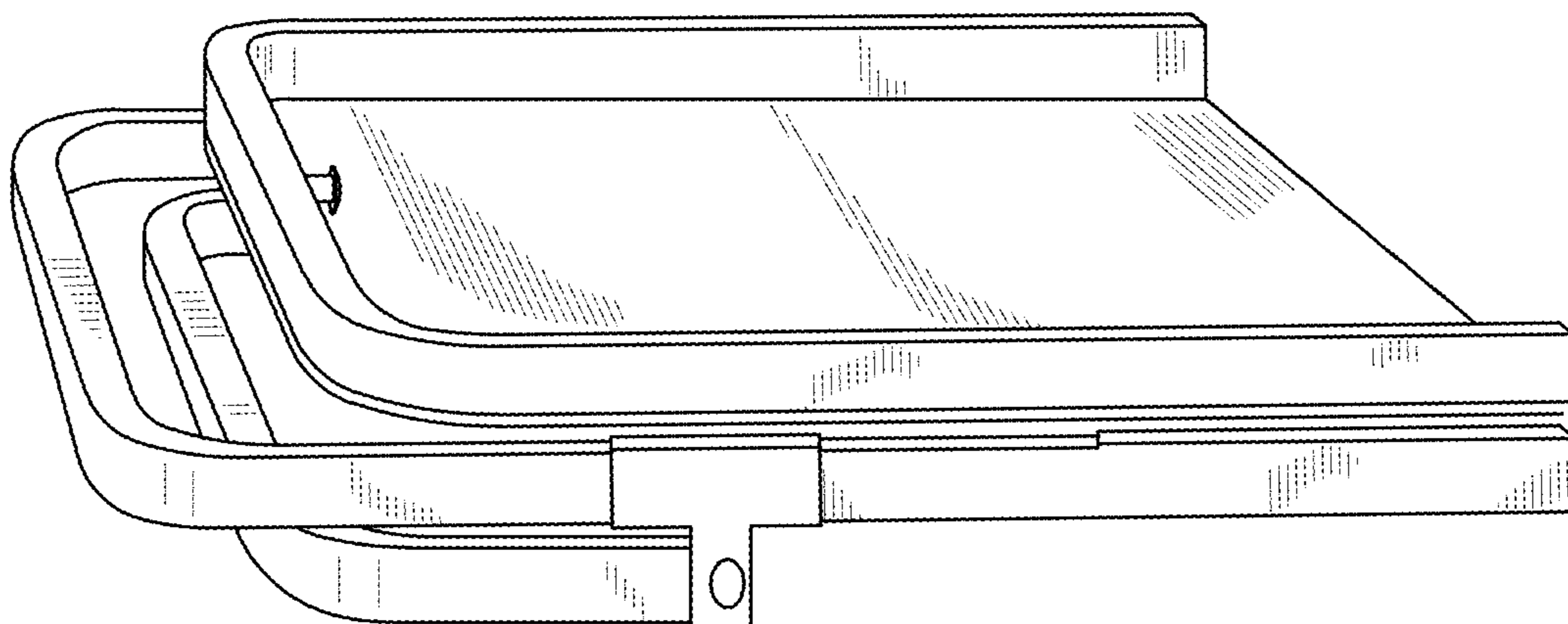


FIG. 6