



US00D782853S

(12) **United States Design Patent** (10) **Patent No.:** **US D782,853 S**
Foster (45) **Date of Patent:** **** Apr. 4, 2017**

(54) **RING DISPLAY**
(71) Applicant: **Mark Foster**, Tupelo, MS (US)
(72) Inventor: **Mark Foster**, Tupelo, MS (US)
(73) Assignee: **U.S. Worldwide, Inc.**, Greensboro, NC (US)
(**) Term: **15 Years**
(21) Appl. No.: **29/548,721**
(22) Filed: **Dec. 16, 2015**
(51) **LOC (10) Cl.** **06-06**
(52) **U.S. Cl.**
USPC **D6/682.3**
(58) **Field of Classification Search**
USPC D6/682, 682.2, 682.3, 682.4, 683, 683.1, D6/702-703
CPC A47F 3/14; A47F 5/108; A47F 5/00
See application file for complete search history.

D624,549 S * 9/2010 Okoshi D14/451
8,991,776 B1 * 3/2015 Dimaggio A47F 3/02
206/6.1
D772,619 S * 11/2016 Lombardi D6/682.4

* cited by examiner

Primary Examiner — Kelley Donnelly
(74) *Attorney, Agent, or Firm* — Tuggle Duggins P.A.;
Blake Hurt

(57) **CLAIM**

The ornamental design for a ring display, as shown and described.

DESCRIPTION

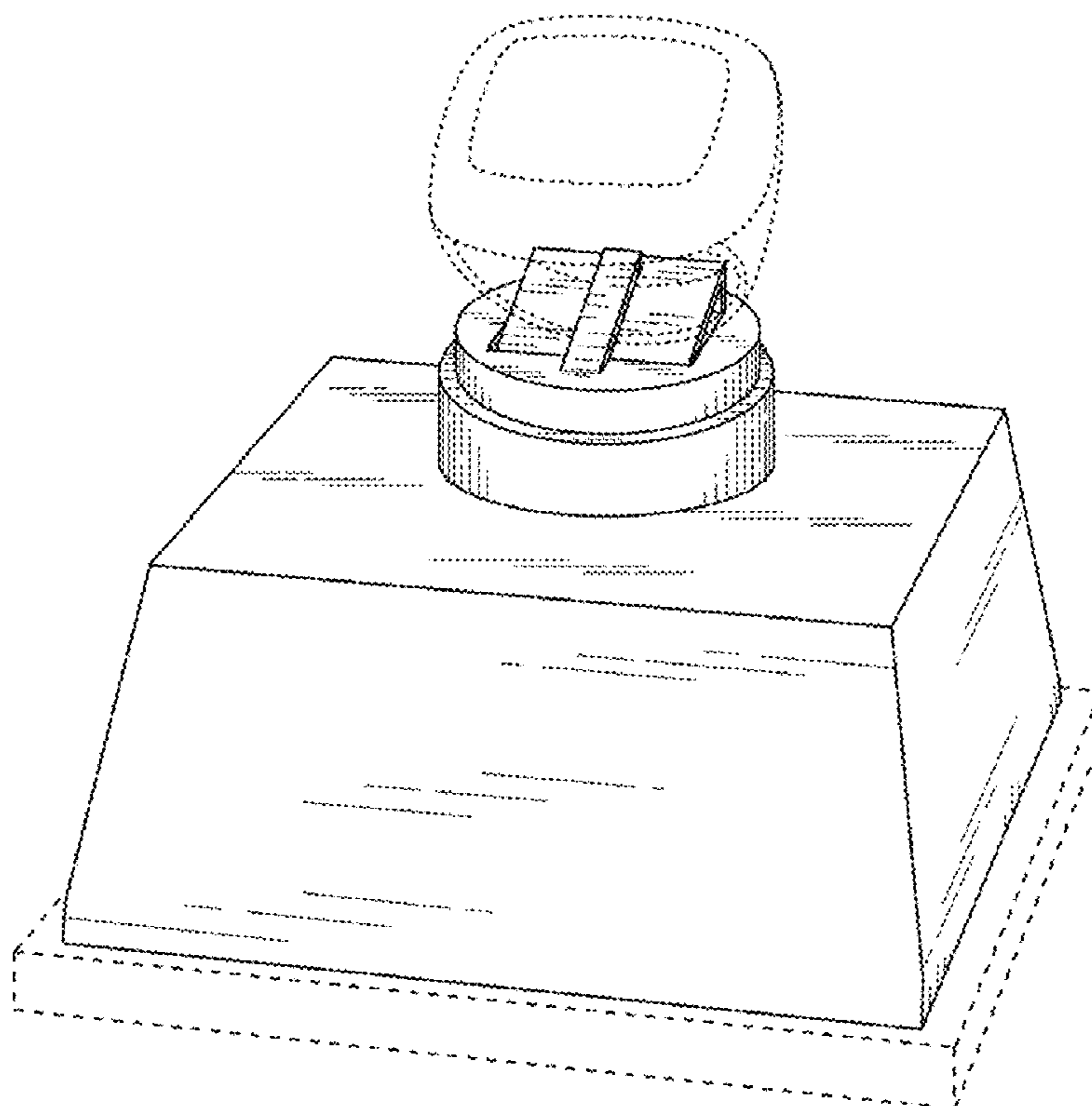
FIG. 1 is a top, front, right side perspective view of a ring display showing my new design;
FIG. 2 is a front elevational view thereof;
FIG. 3 is a rear elevational view thereof;
FIG. 4 is a left side elevational view thereof, the right side elevational view being a mirror image thereof;
FIG. 5 is a top plan view thereof; and,
FIG. 6 is a bottom plan view thereof.
The dashed lines in FIG. 1 are included for the purpose of illustrating environment and form no part of the claimed design.

(56) **References Cited**

U.S. PATENT DOCUMENTS

D288,154 S * 2/1987 Hobgood D11/131
D327,188 S * 6/1992 Allen D6/676.3
D379,410 S * 5/1997 Porcaro D6/682.3
D449,943 S * 11/2001 Lanham D6/682
D499,965 S * 12/2004 Zanghi D9/422

1 Claim, 3 Drawing Sheets



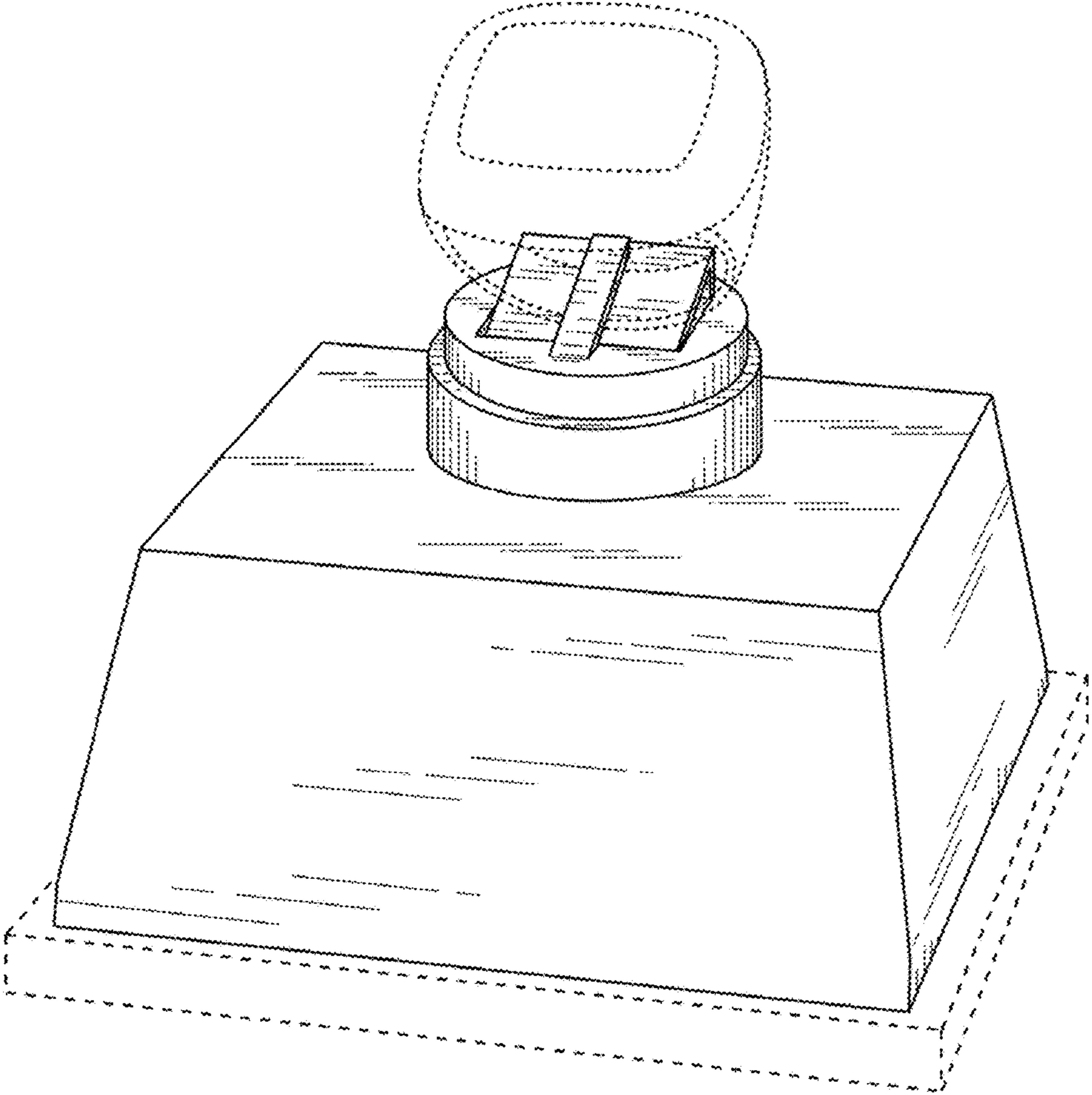


Fig. 1

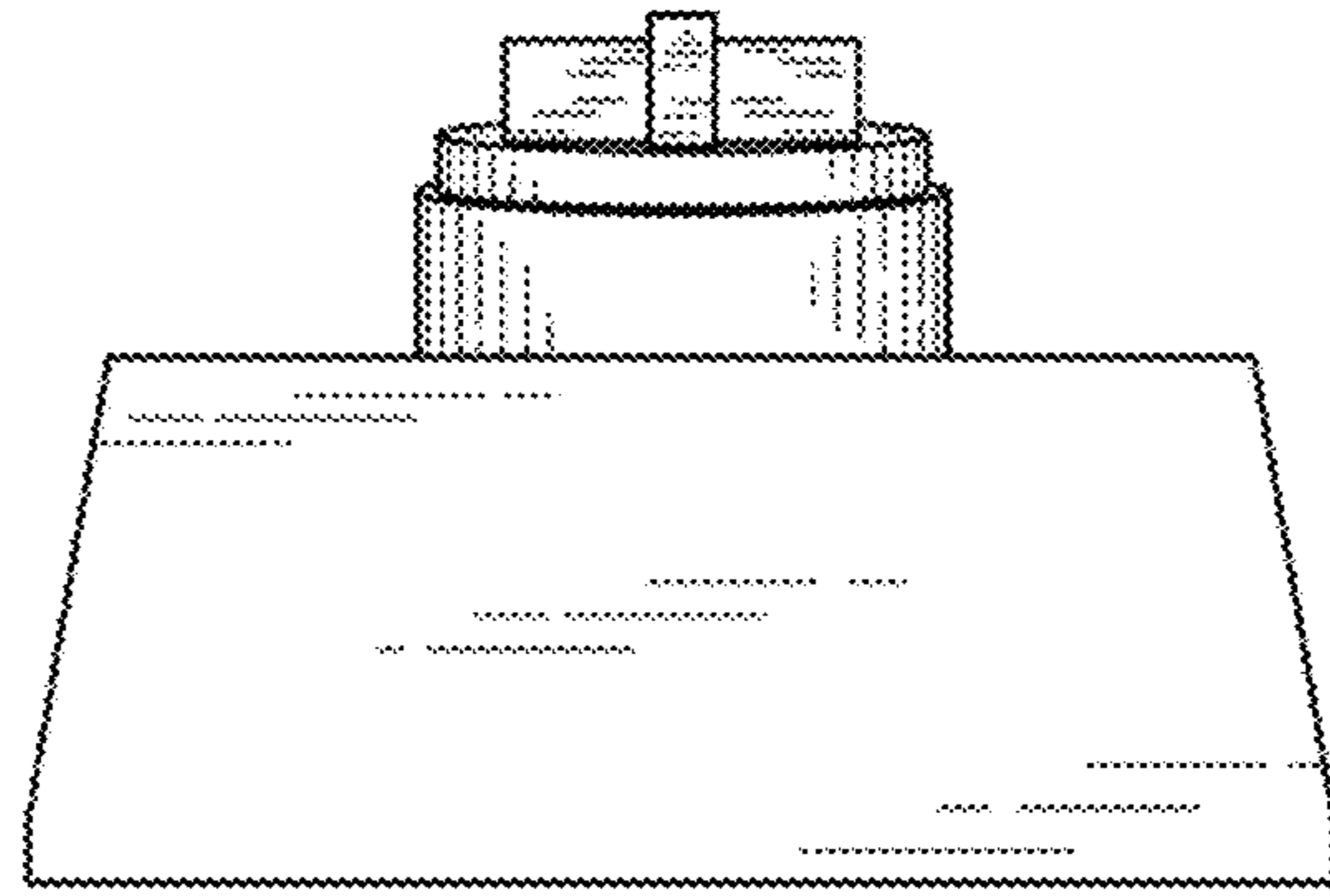


Fig. 2

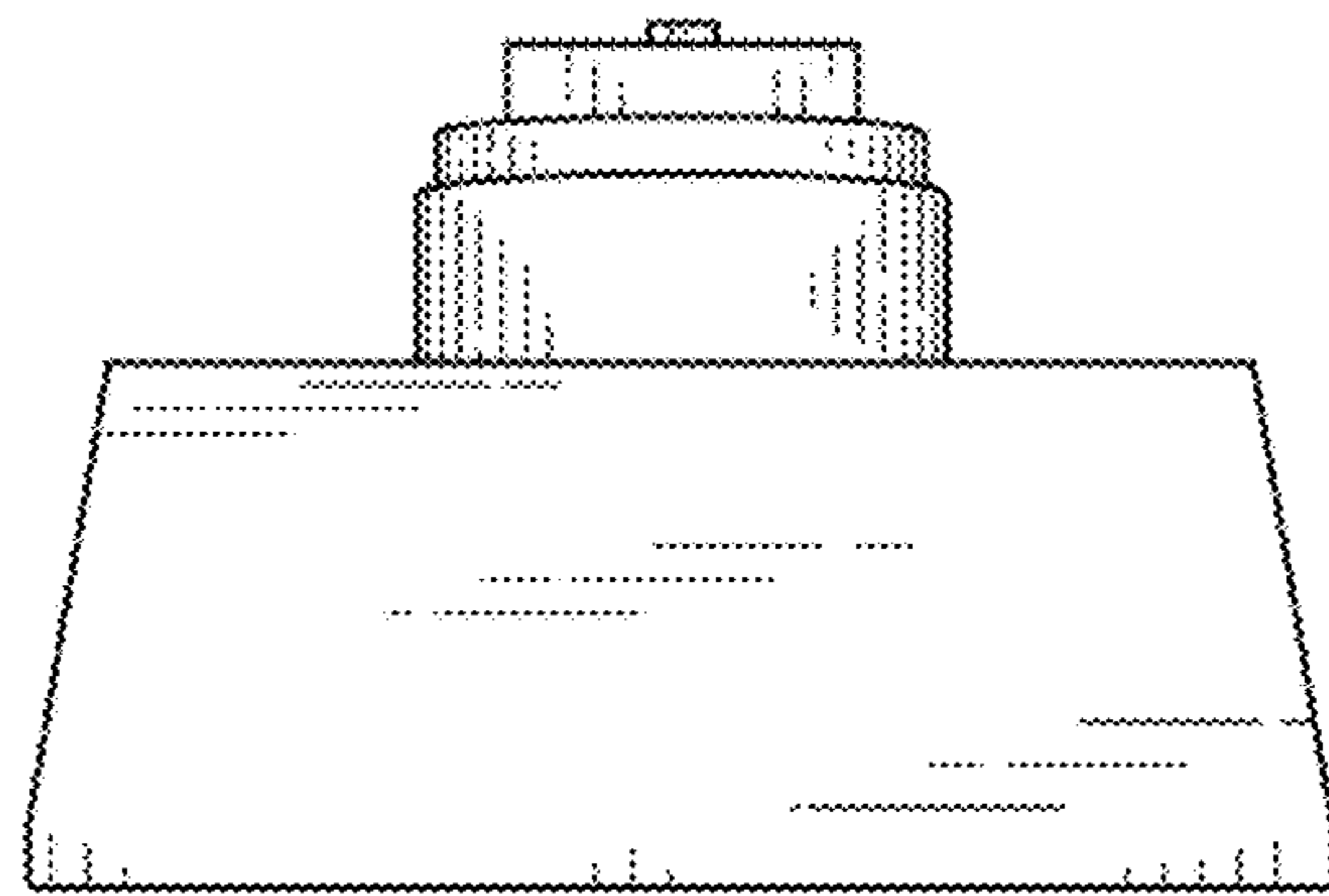


Fig. 3

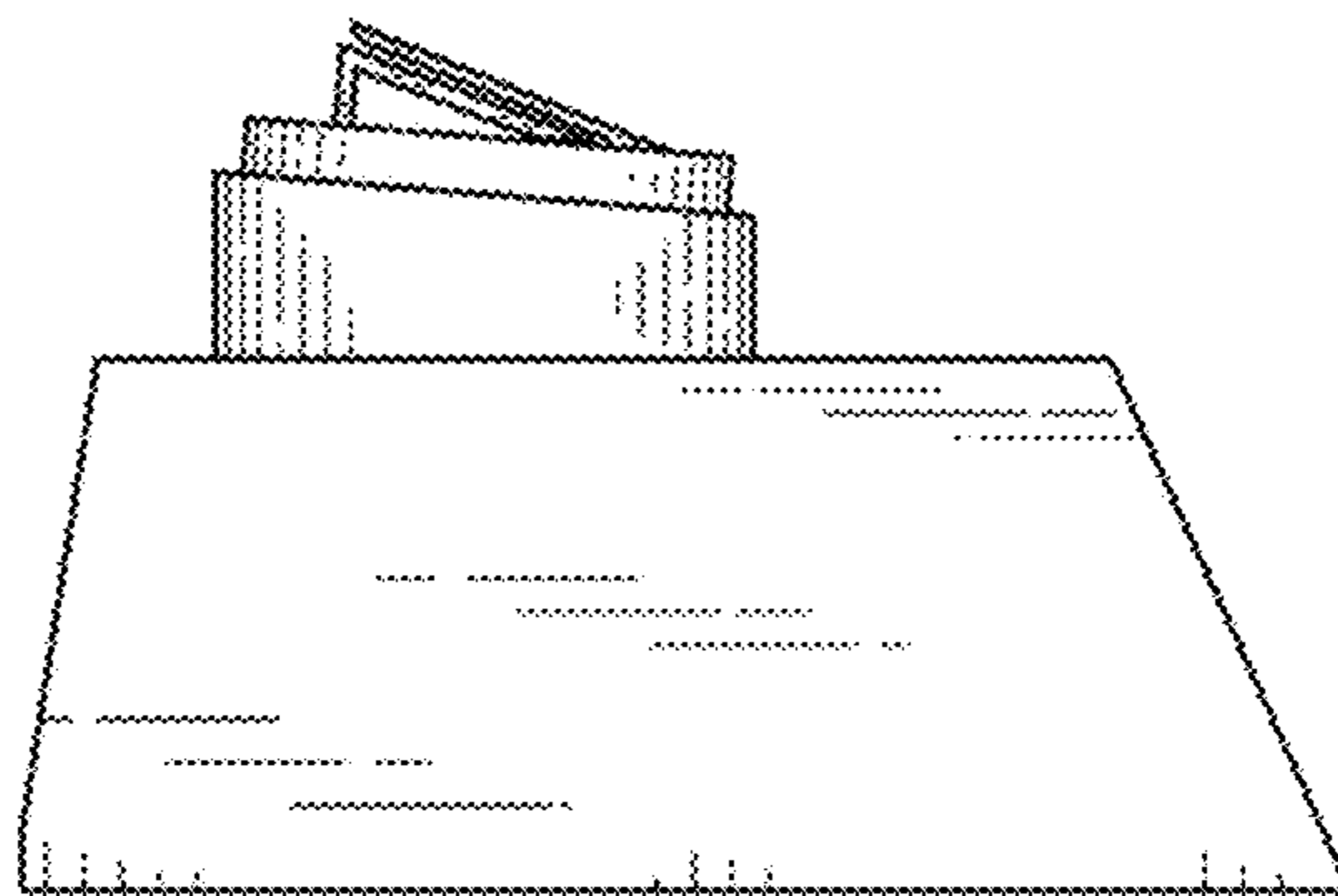


Fig. 4

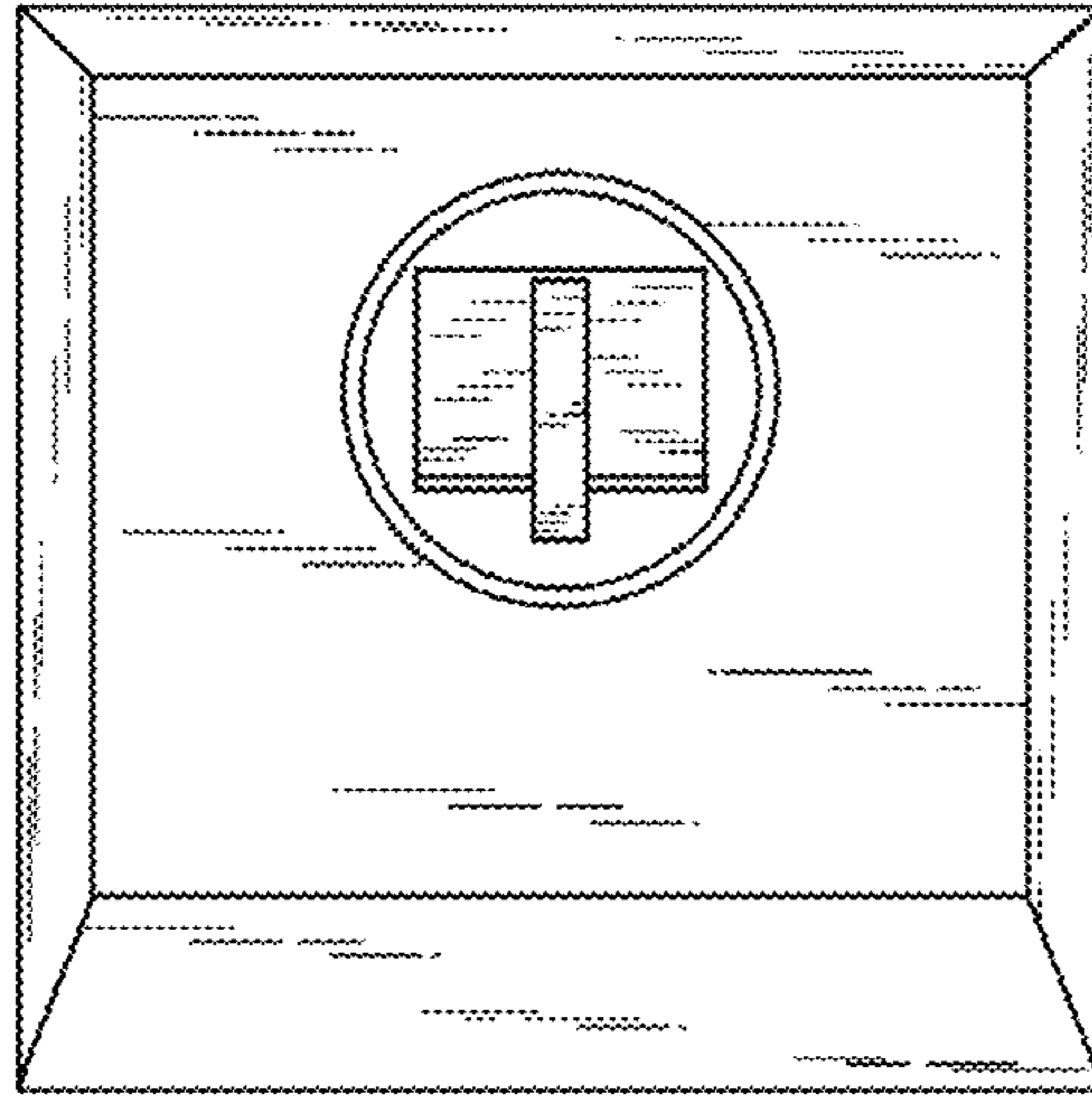


Fig. 5

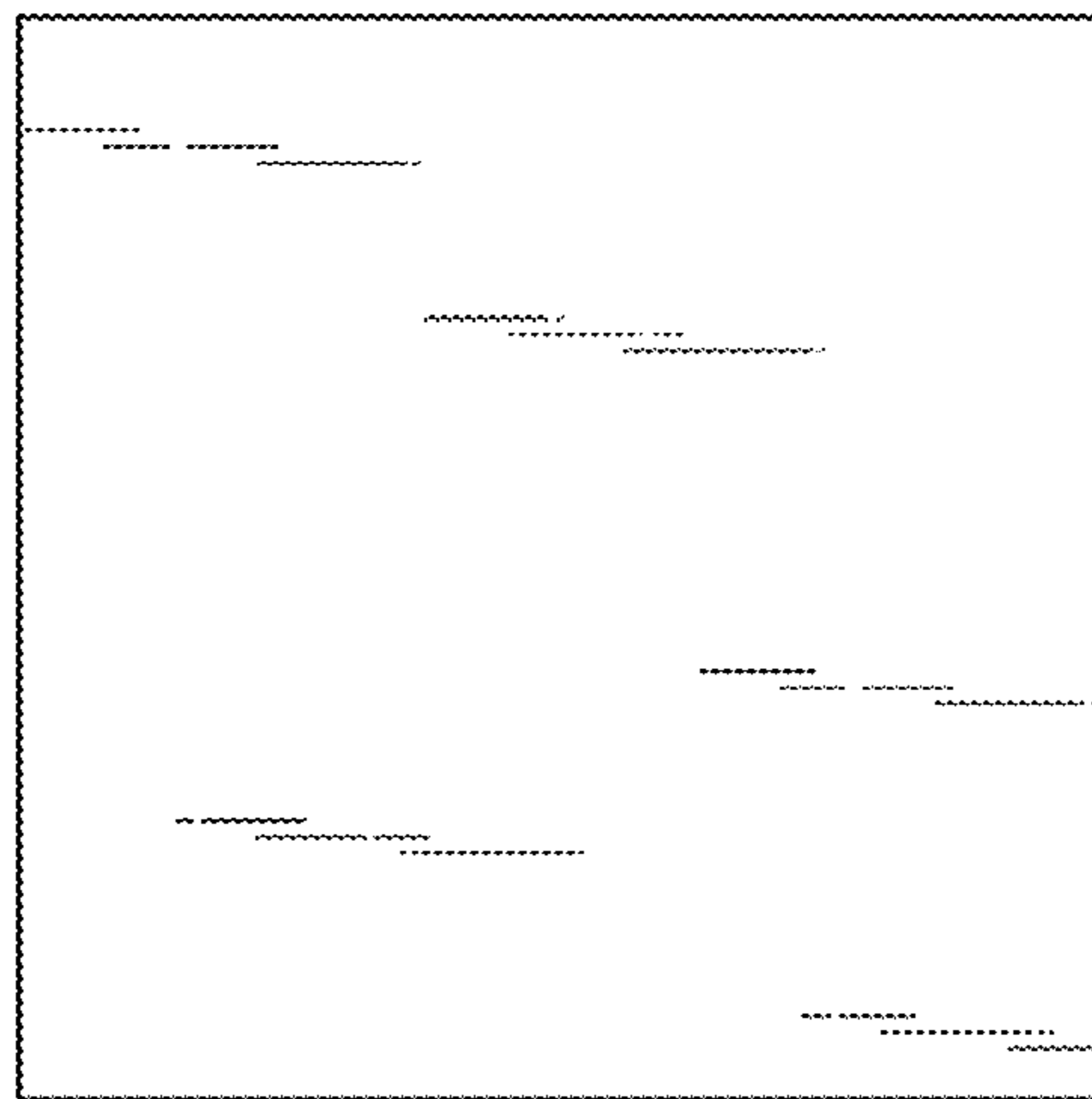


Fig. 6