



US00D782848S

(12) **United States Design Patent**  
**Fernandez**

(10) **Patent No.:** **US D782,848 S**

(45) **Date of Patent:** **\*\* Apr. 4, 2017**

(54) **PORTABLE SEAT CUSHION**

(71) Applicant: **Jose Ismael Fernandez**, Sylmar, CA  
(US)

(72) Inventor: **Jose Ismael Fernandez**, Sylmar, CA  
(US)

(\*\*) Term: **15 Years**

(21) Appl. No.: **29/553,976**

(22) Filed: **Feb. 5, 2016**

(51) **LOC (10) Cl.** ..... **06-09**

(52) **U.S. Cl.**  
USPC ..... **D6/596**

(58) **Field of Classification Search**  
USPC ..... D6/333, 349, 355, 375, 388, 512, 563,  
D6/564, 595, 596, 601, 604, 611, 707,  
(Continued)

(56) **References Cited**

**U.S. PATENT DOCUMENTS**

1,925,358 A \* 9/1933 Wittcoff ..... A47G 9/02  
5/419  
2,734,556 A \* 2/1956 Hebrank ..... A47C 7/021  
160/232

(Continued)

**FOREIGN PATENT DOCUMENTS**

EP 2227989 A2 2/2015

**OTHER PUBLICATIONS**

Stayjax Seat Mats; <http://www.stayjax.com>; various webpages printed out on Feb. 4, 2016 from the World Wide Web/Internet including "Home Page" (3 individual screenshots of alternating images on Home Page), "Our Story" (3 pages), "Retailers" (3 pages), "Buy a Mat" (4 pages) and "Contact Us" (2 pages).

*Primary Examiner* — Eric Goodman

*Assistant Examiner* — Sanjeev Paul

(74) *Attorney, Agent, or Firm* — Zuber Lawler & Del  
Duca LLP; Matthew J. Spark

(57) **CLAIM**

The ornamental design for a portable seat cushion, as shown and described.

**DESCRIPTION**

FIG. 1 is a perspective view of a seat cushion embodying the invention in a deployed configuration, with a main cushion having notched rear corners, and a front portion having pockets;

FIG. 2 is a side view of the seat cushion of FIG. 1;

FIG. 3 is another side view of the seat cushion of FIG. 1;

FIG. 4 is a rear view of the seat cushion of FIG. 1;

FIG. 5 is a front view of the seat cushion of FIG. 1;

FIG. 6 is a top plan view of the seat cushion of FIG. 1;

FIG. 7 is a bottom plan view of the seat cushion of FIG. 1;

FIG. 8 is a perspective view of the seat cushion of FIG. 1 in a rolled configuration;

FIG. 9 is a top plan view of the seat cushion of FIG. 8;

FIG. 10 is a perspective view of a seat cushion embodying the invention in a deployed configuration, with a main cushion having square rear corners, and a front portion having pockets;

FIG. 11 is a side view of the seat cushion of FIG. 10;

FIG. 12 is another side view of the seat cushion of FIG. 10;

FIG. 13 is a rear view of the seat cushion of FIG. 10;

FIG. 14 is a front view of the seat cushion of FIG. 10;

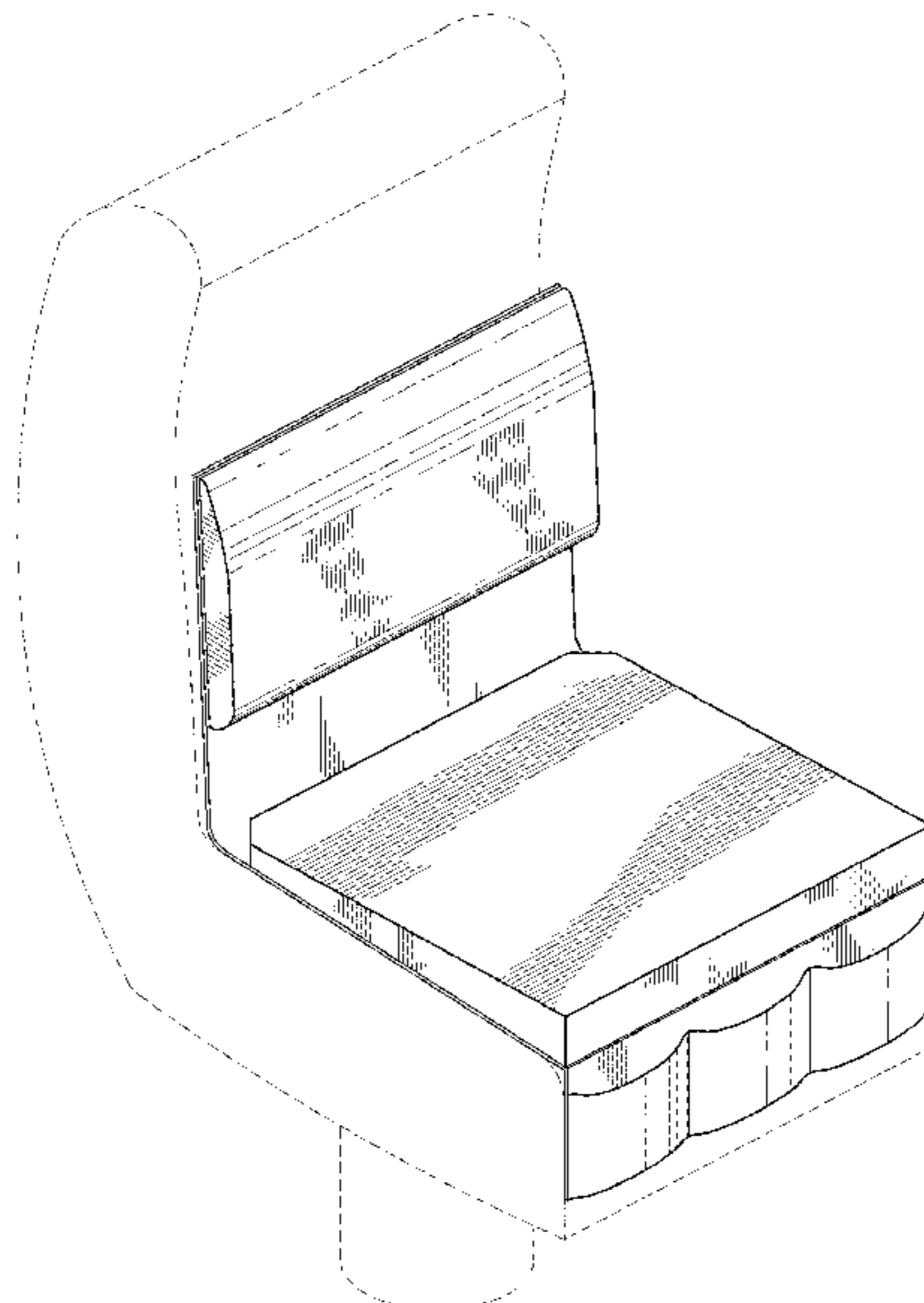
FIG. 15 is a top plan view of the seat cushion of FIG. 10;

FIG. 16 is a bottom plan view of the seat cushion of FIG. 10;

FIG. 17 is a perspective view of the seat cushion of FIG. 10 in a rolled configuration; and,

FIG. 18 is a top plan view of the seat cushion of FIG. 17.

**1 Claim, 10 Drawing Sheets**



(58) **Field of Classification Search**

USPC ..... D6/715, 716, 716.1; D24/183-185, 234;  
 D21/803, 804, 805, 809; 5/401, 420, 600,  
 5/630, 631, 632, 633, 635, 636, 638, 639,  
 5/646, 652, 652.1, 655, 703, 730; 297/1,  
 297/2, 4, 93, 180.11, 195.1, 195.11,  
 297/195.13, 393, 397, 452.12, 452.14,  
 297/452.15, 452.21, 452.24, 452.26,  
 297/452.48, 452.62, 482  
 CPC .. A47G 9/1036; A47G 9/1045; A47G 9/1063;  
 A47G 9/1072; A47G 9/1081; A47G  
 9/109; A47C 7/021; A47C 27/00  
 See application file for complete search history.

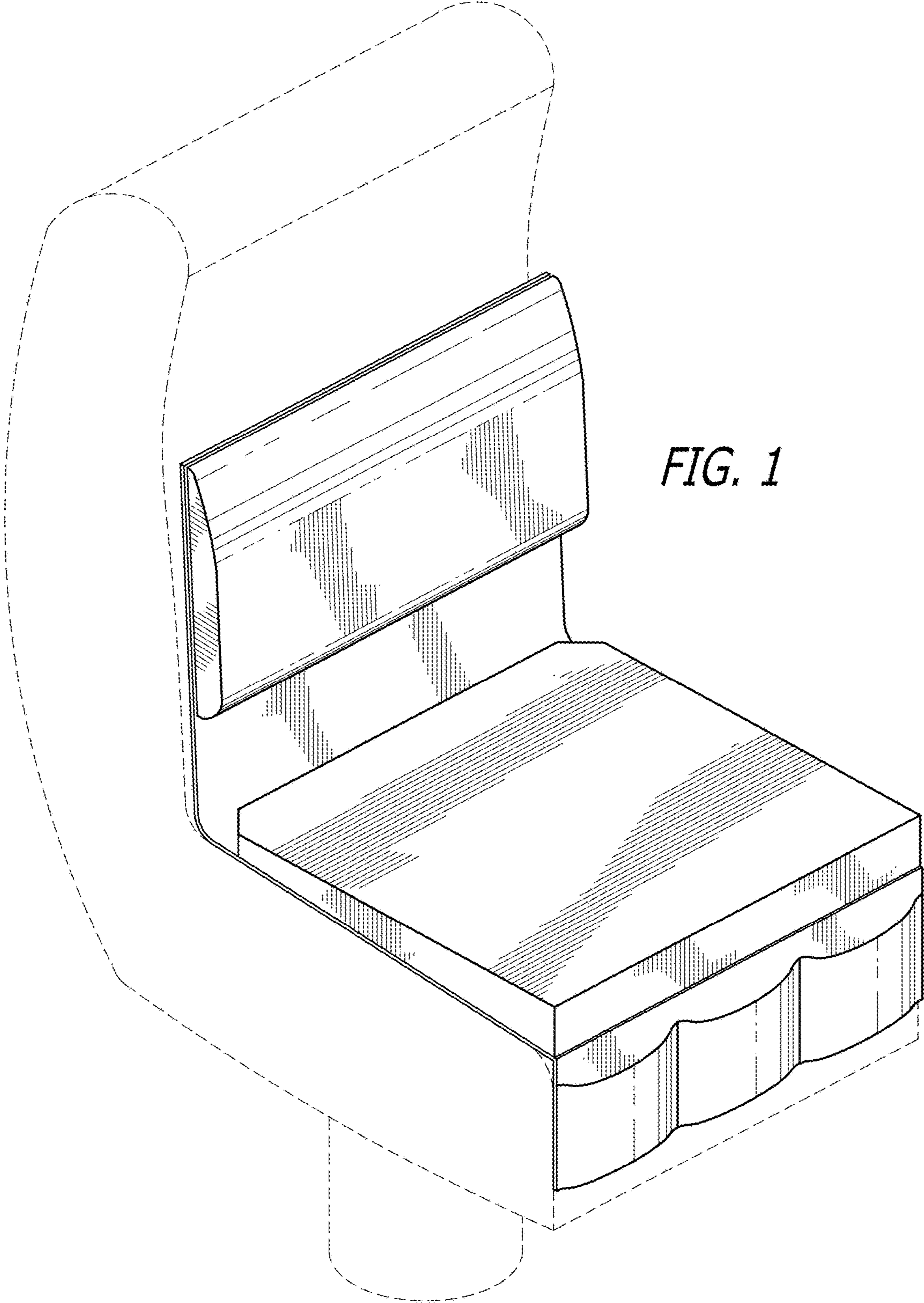
5,524,956 A 6/1996 Moore  
 D377,423 S \* 1/1997 Latrella ..... D6/333  
 5,641,199 A 6/1997 Bond-Madsen  
 D383,634 S \* 9/1997 Selph ..... D6/596  
 5,918,335 A \* 7/1999 Han ..... A47D 15/006  
 5/637  
 5,920,933 A \* 7/1999 Chou ..... A47G 9/10  
 5/417  
 6,009,578 A 1/2000 Davis  
 D424,358 S \* 5/2000 Wang ..... D6/596  
 6,086,152 A 7/2000 Zeller  
 D430,627 S \* 9/2000 Bergman ..... D21/662  
 D440,805 S \* 4/2001 Rogone ..... D6/333  
 6,648,410 B2 11/2003 Sparks  
 6,951,367 B1 10/2005 Dinnan  
 7,114,776 B1 10/2006 Wiltberger  
 D541,366 S \* 4/2007 Rominger ..... D21/803  
 7,255,394 B2 8/2007 Ogura  
 7,374,240 B2 5/2008 Gold et al.  
 7,461,894 B2 12/2008 Leeds  
 7,774,880 B1 8/2010 Botts  
 D624,343 S \* 9/2010 Long ..... D6/601  
 7,878,588 B2 2/2011 Snedeker  
 D637,438 S \* 5/2011 Long ..... D6/601  
 D658,422 S \* 5/2012 Mandell ..... D6/608  
 D699,053 S \* 2/2014 Long ..... D6/601  
 D728,269 S \* 5/2015 Brown ..... D6/596  
 D728,271 S \* 5/2015 Cohen ..... D6/601  
 D774,328 S \* 12/2016 Shamash ..... D6/596  
 D774,801 S \* 12/2016 Clark ..... D6/596  
 2005/0225134 A1 10/2005 Tseng  
 2006/0200910 A1 9/2006 Taylor  
 2007/0084410 A1 4/2007 Hain  
 2011/0266324 A1 11/2011 Krampel

(56) **References Cited**

U.S. PATENT DOCUMENTS

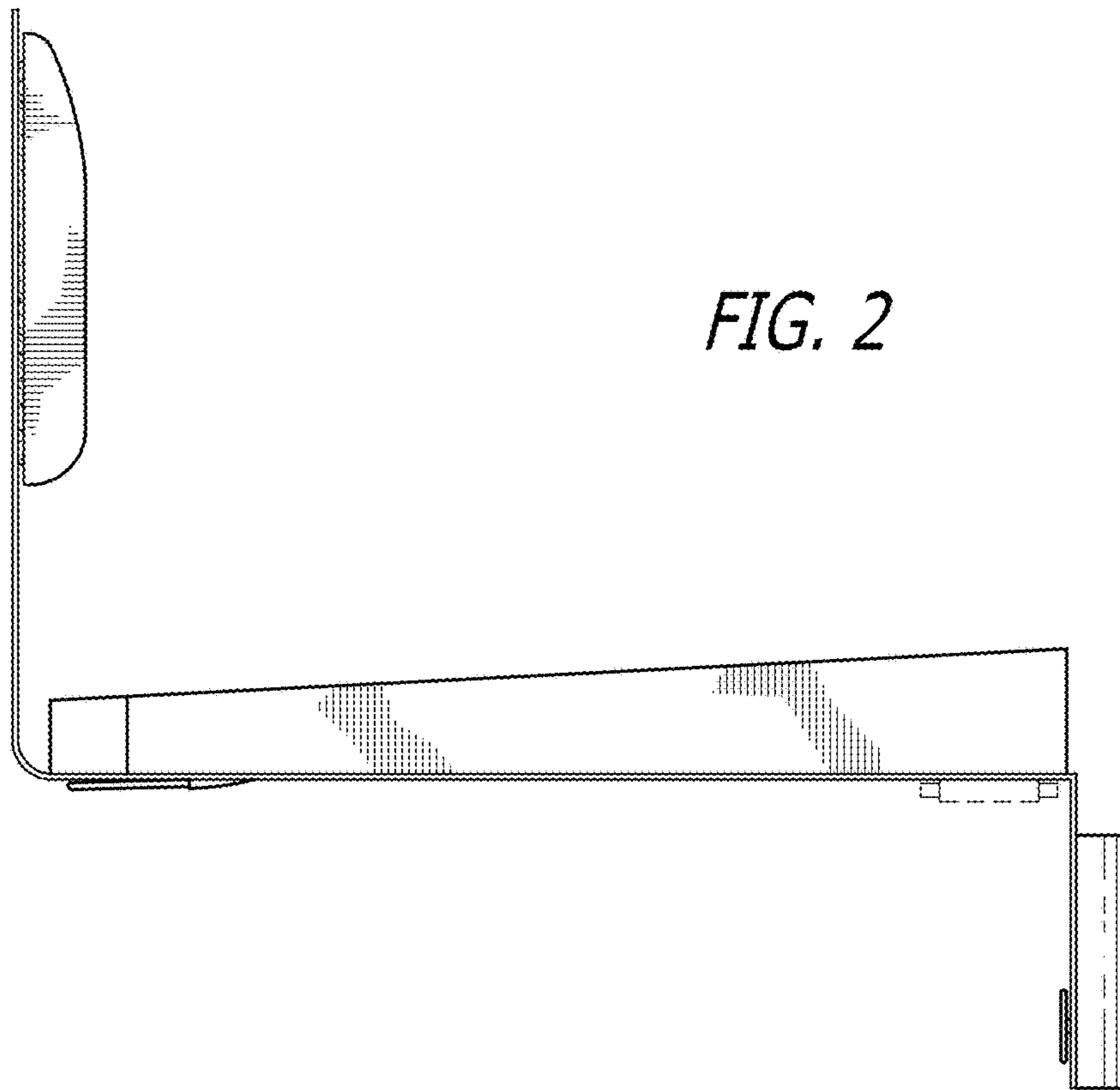
2,883,682 A \* 4/1959 Kwake ..... A47G 9/1045  
 5/419  
 3,346,298 A 10/1967 Champion  
 4,190,918 A 3/1980 Harvell  
 D255,523 S \* 6/1980 Yarabinec ..... D6/596  
 D255,524 S \* 6/1980 Yarabinec ..... D6/596  
 D258,482 S \* 3/1981 Strock ..... 5/653  
 D264,163 S \* 5/1982 Chapman ..... D6/596  
 D264,401 S \* 5/1982 Trotman ..... D6/611  
 4,329,747 A 5/1982 Russell  
 4,824,169 A 4/1989 Jarrell  
 D323,757 S \* 2/1992 Beauchan ..... D6/611  
 D325,303 S \* 4/1992 Pettersson ..... D6/335  
 D341,979 S \* 12/1993 Peters ..... D6/596  
 5,297,304 A 3/1994 O'Sullivan

\* cited by examiner

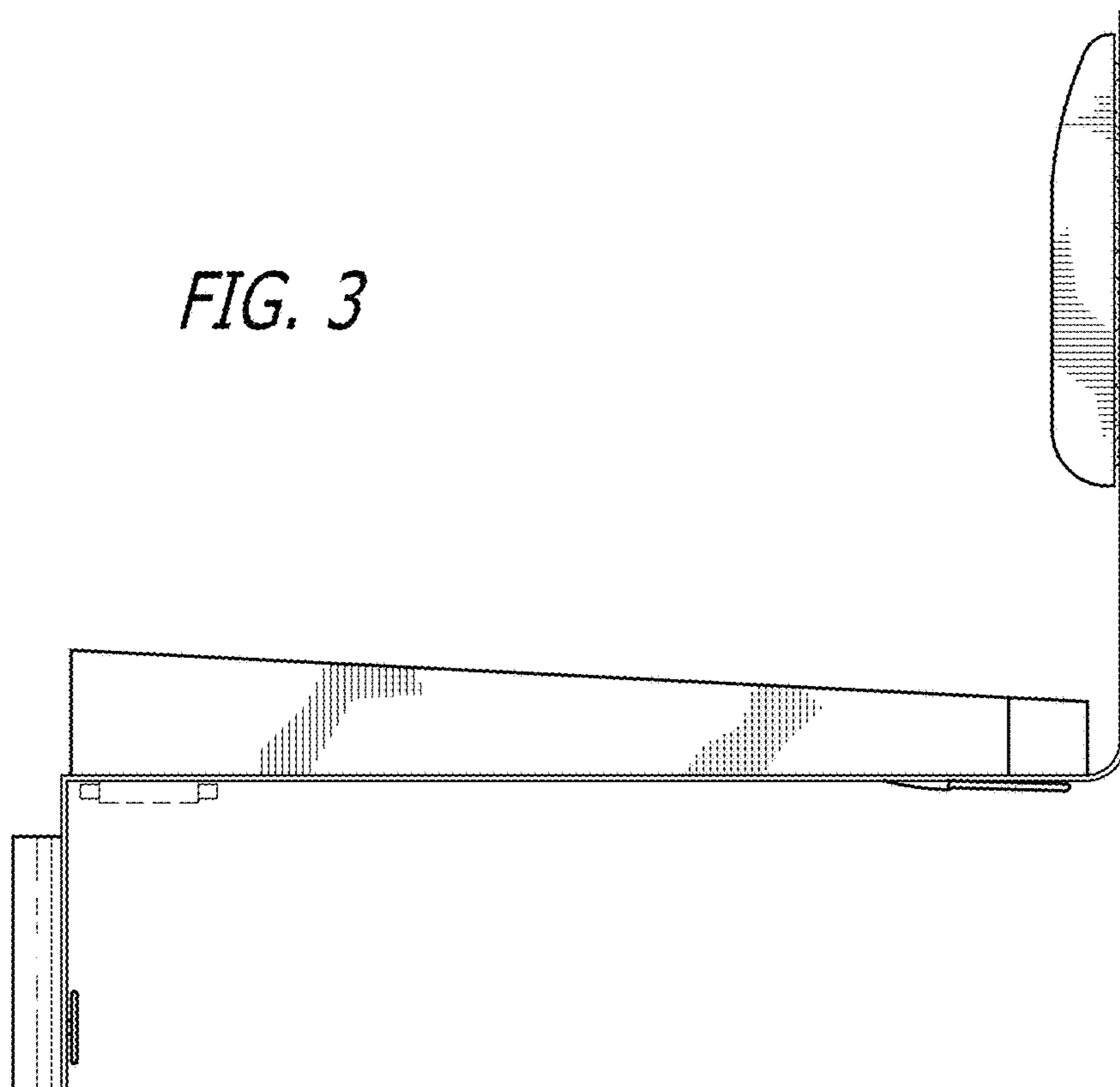


*FIG. 1*





*FIG. 2*



*FIG. 3*

FIG. 4

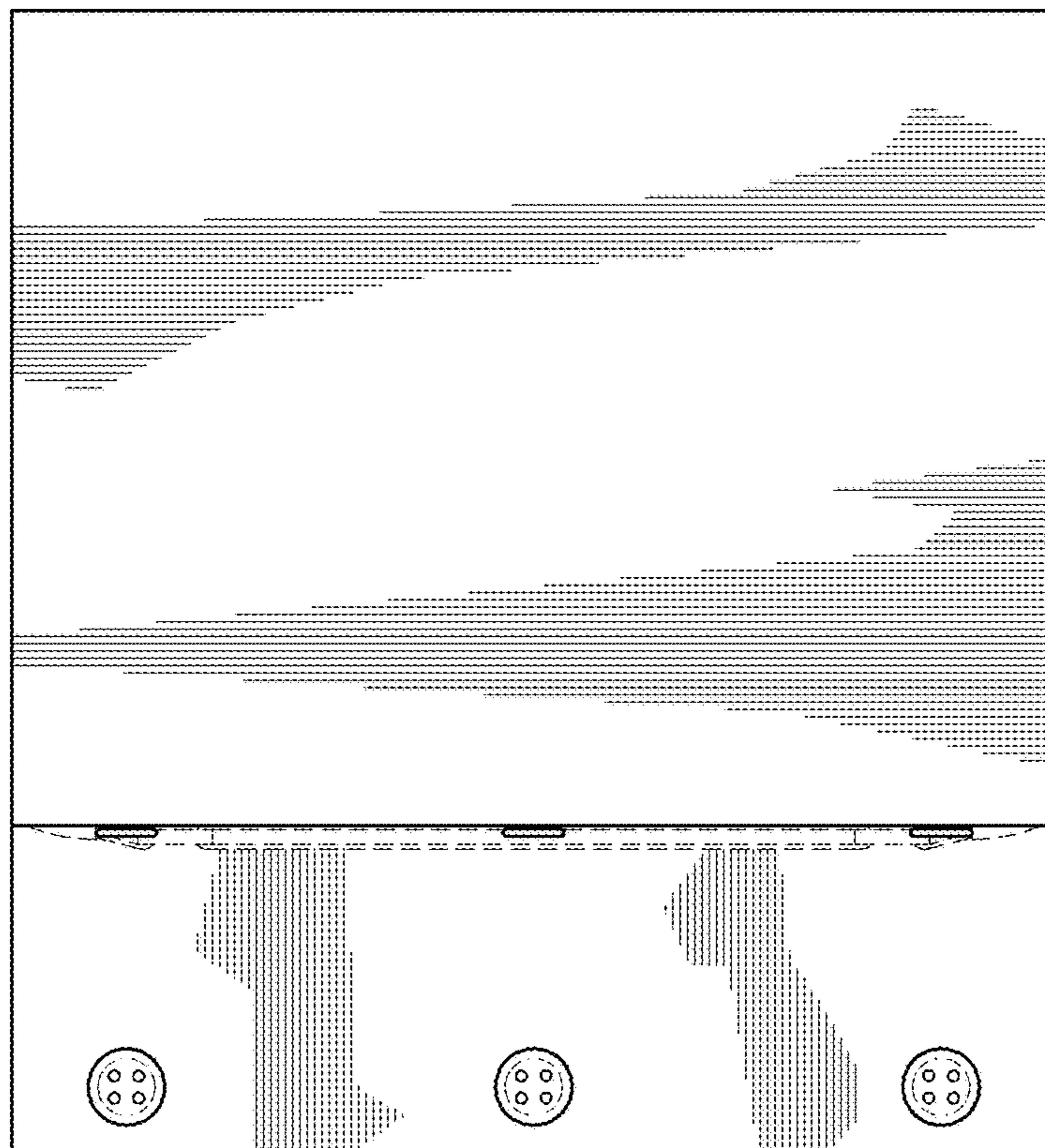


FIG. 5

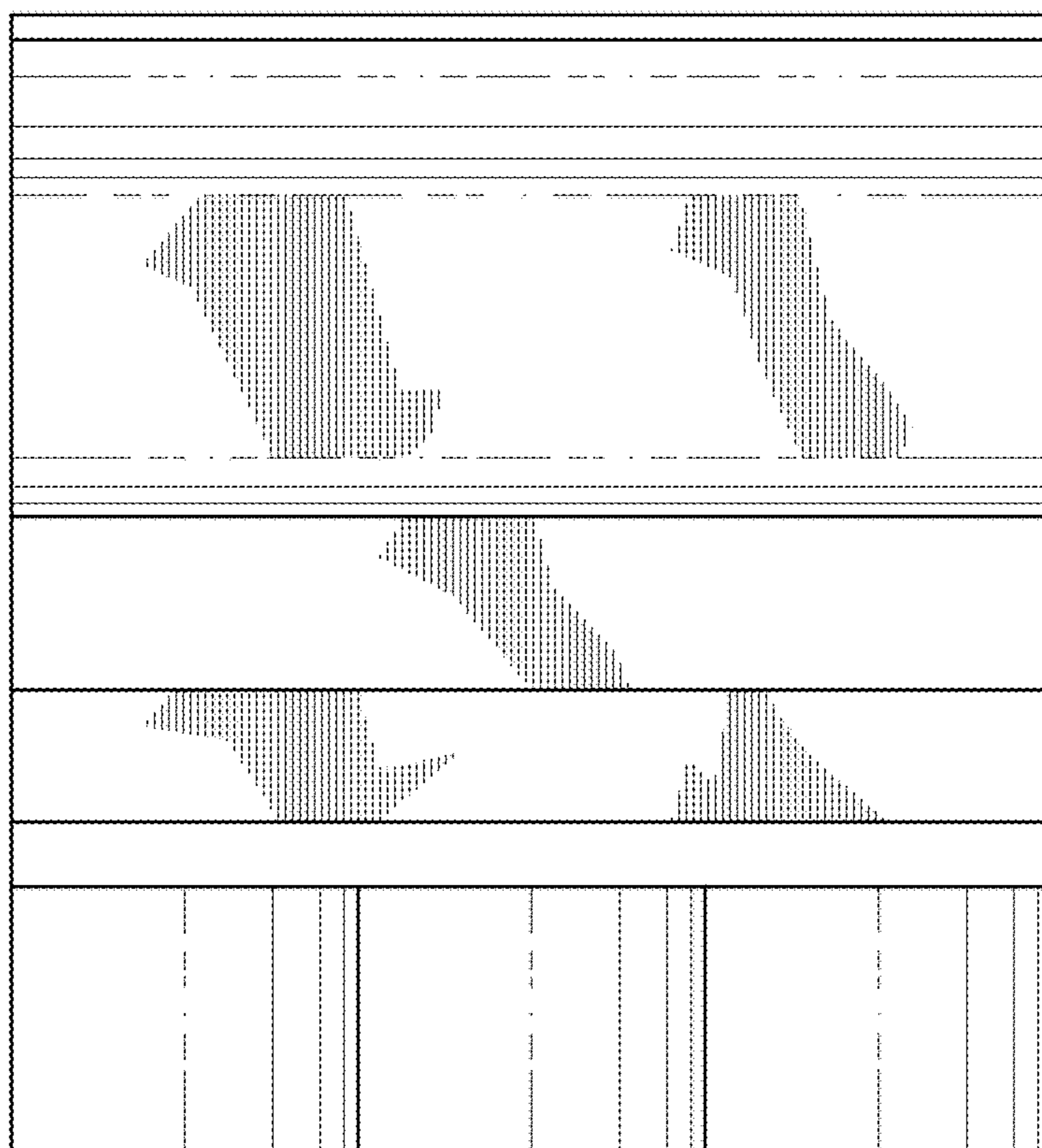


FIG. 6

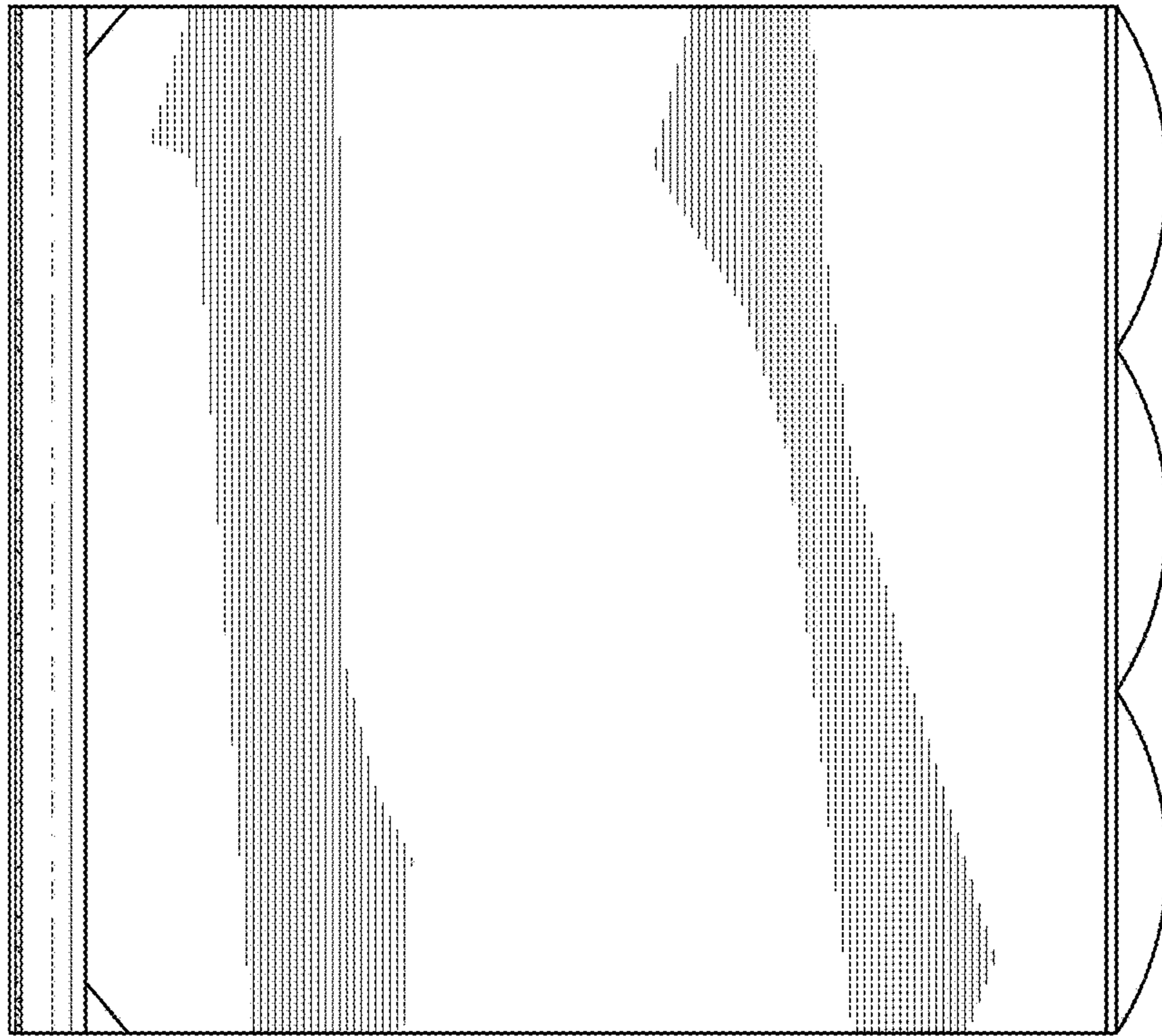
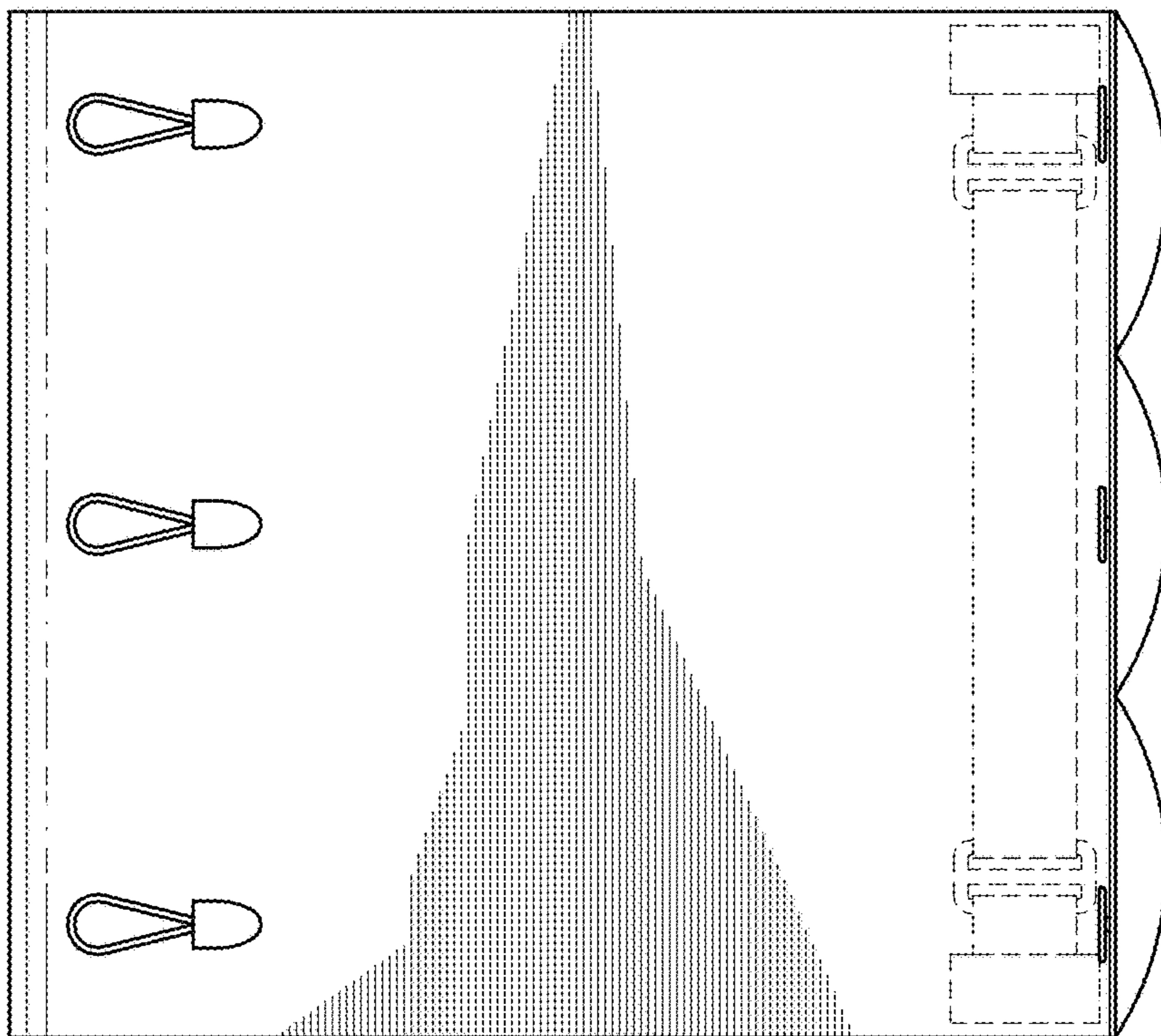


FIG. 7



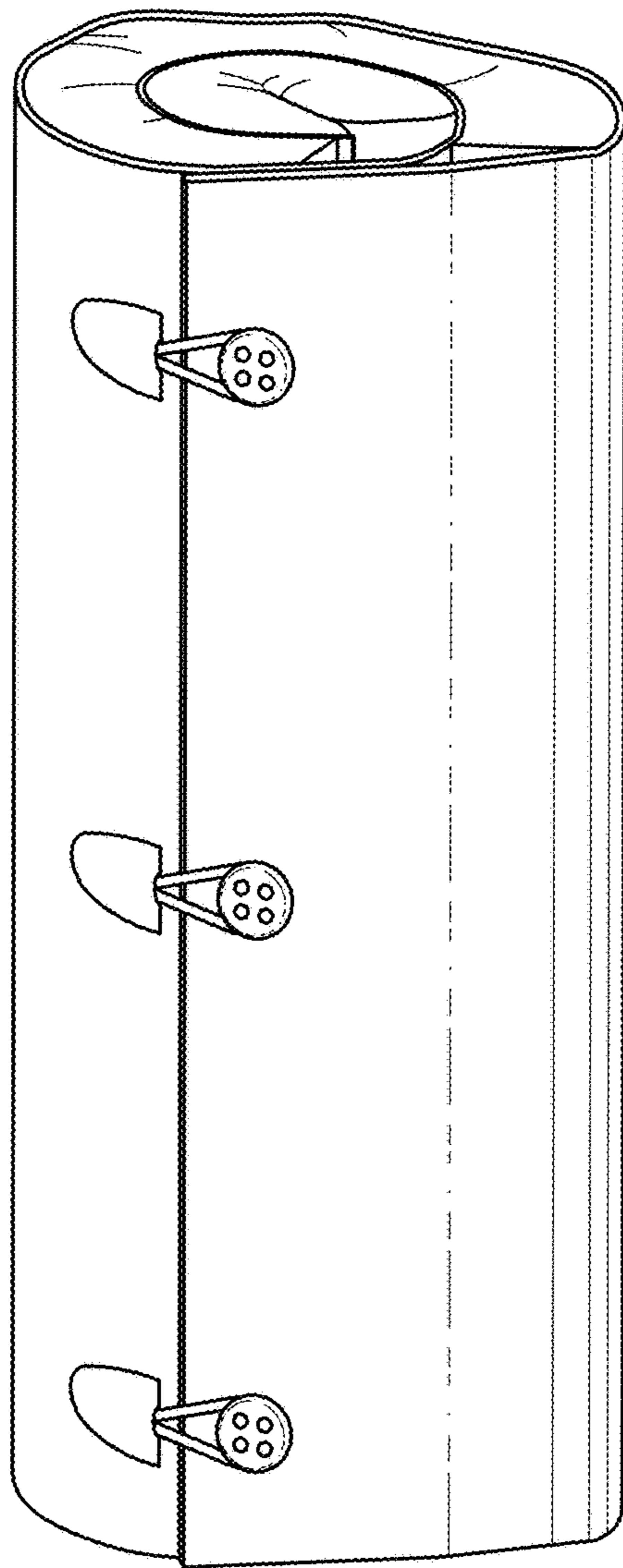


FIG. 8

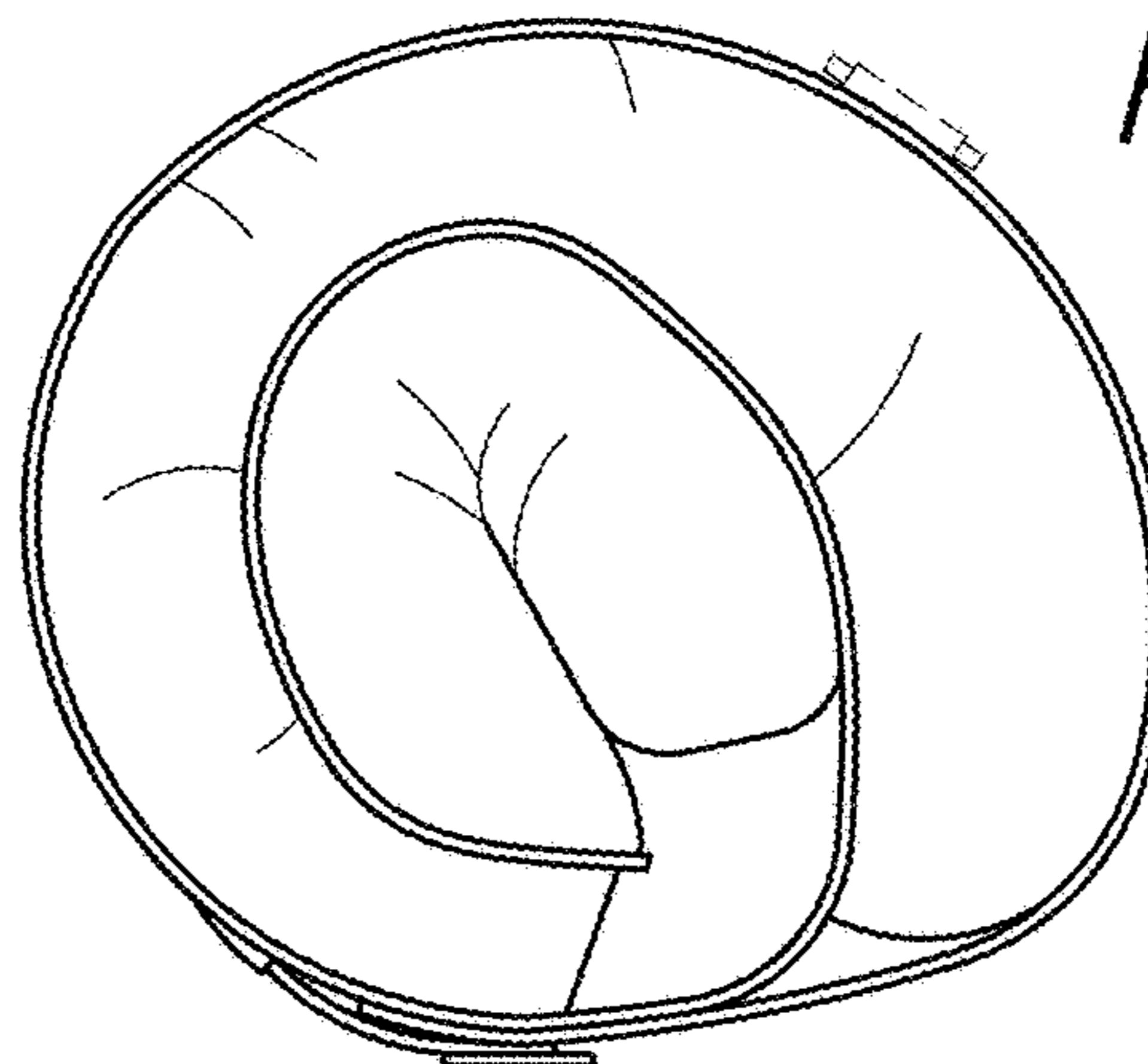
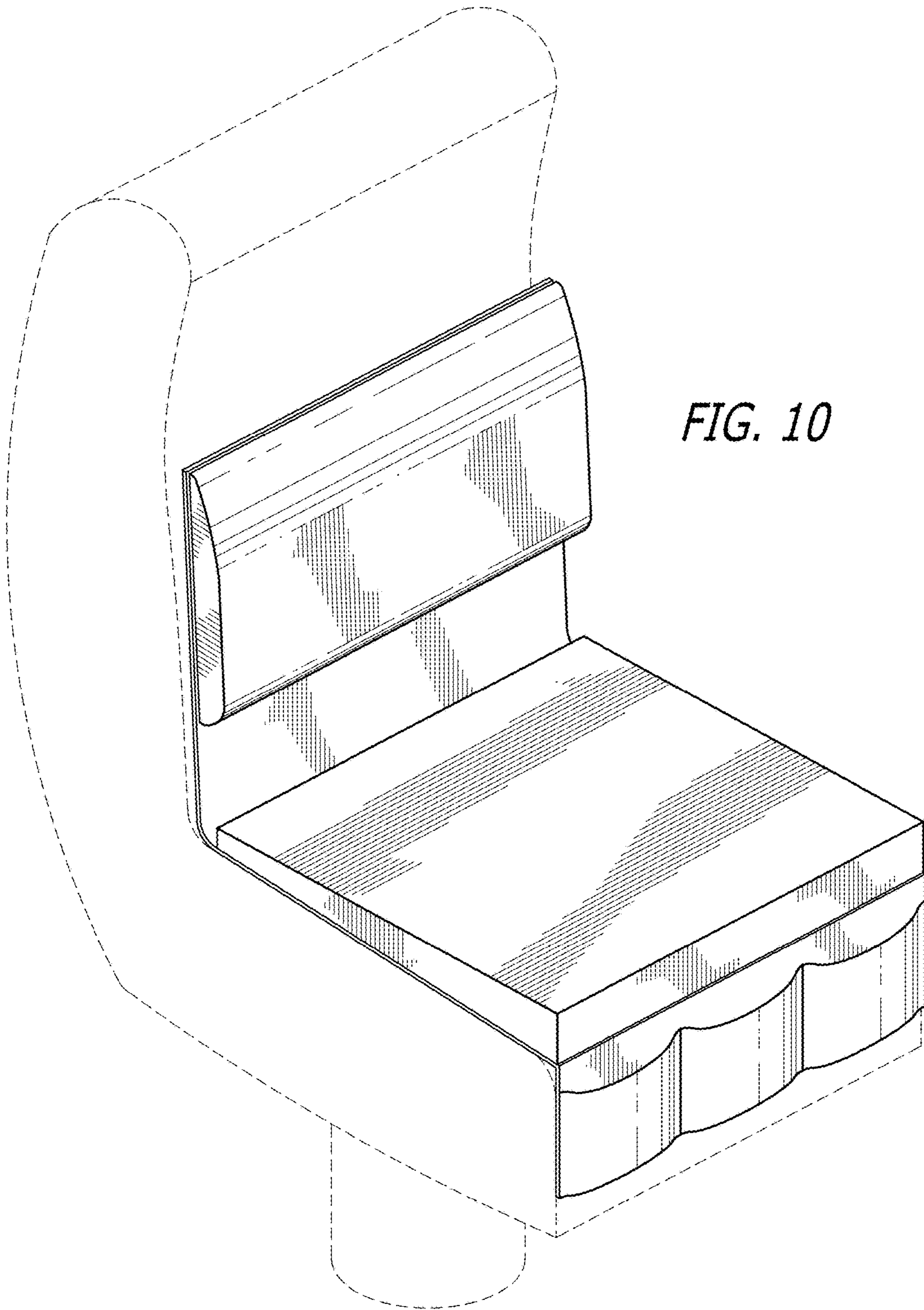


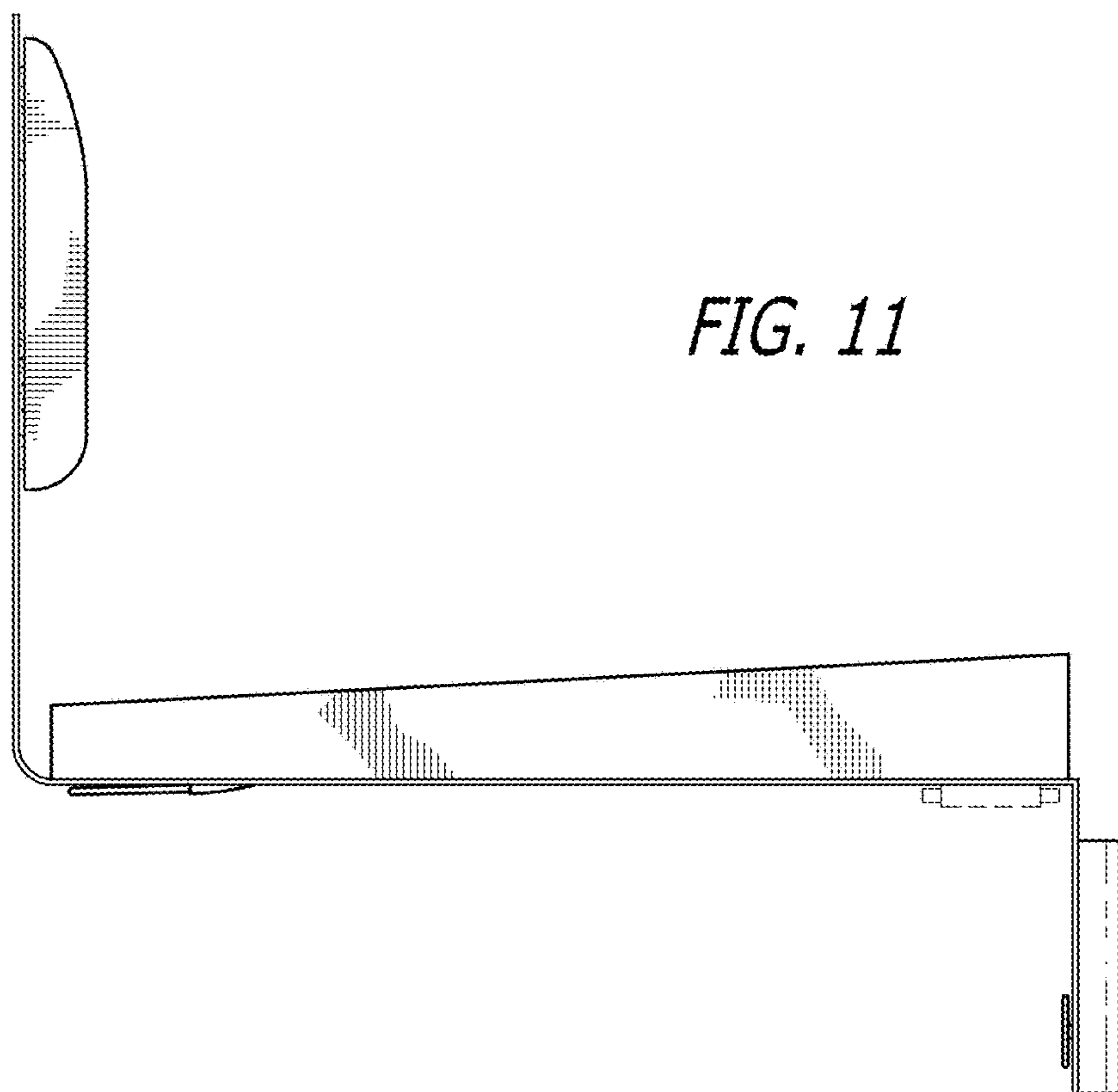
FIG. 9



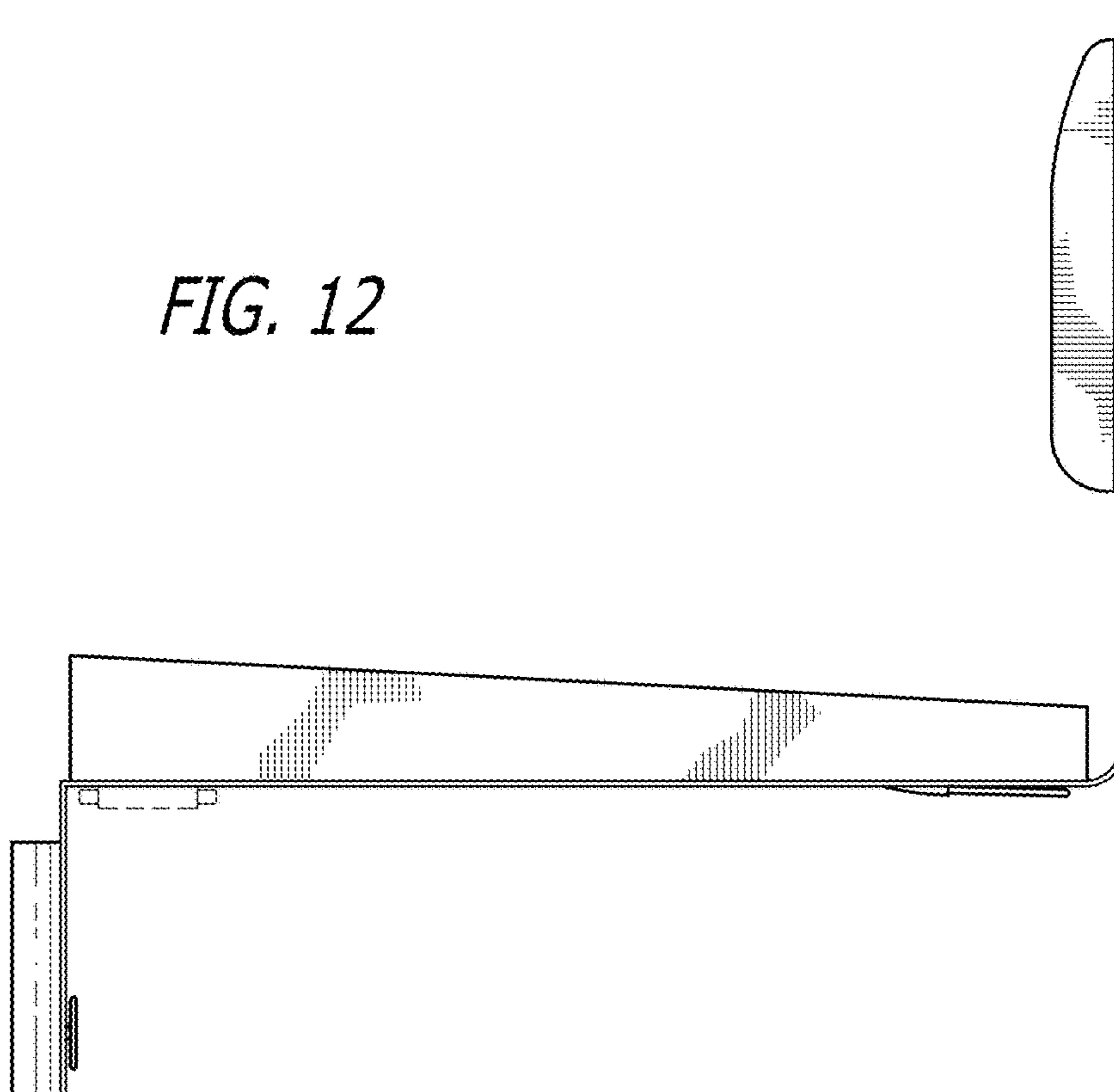


*FIG. 10*



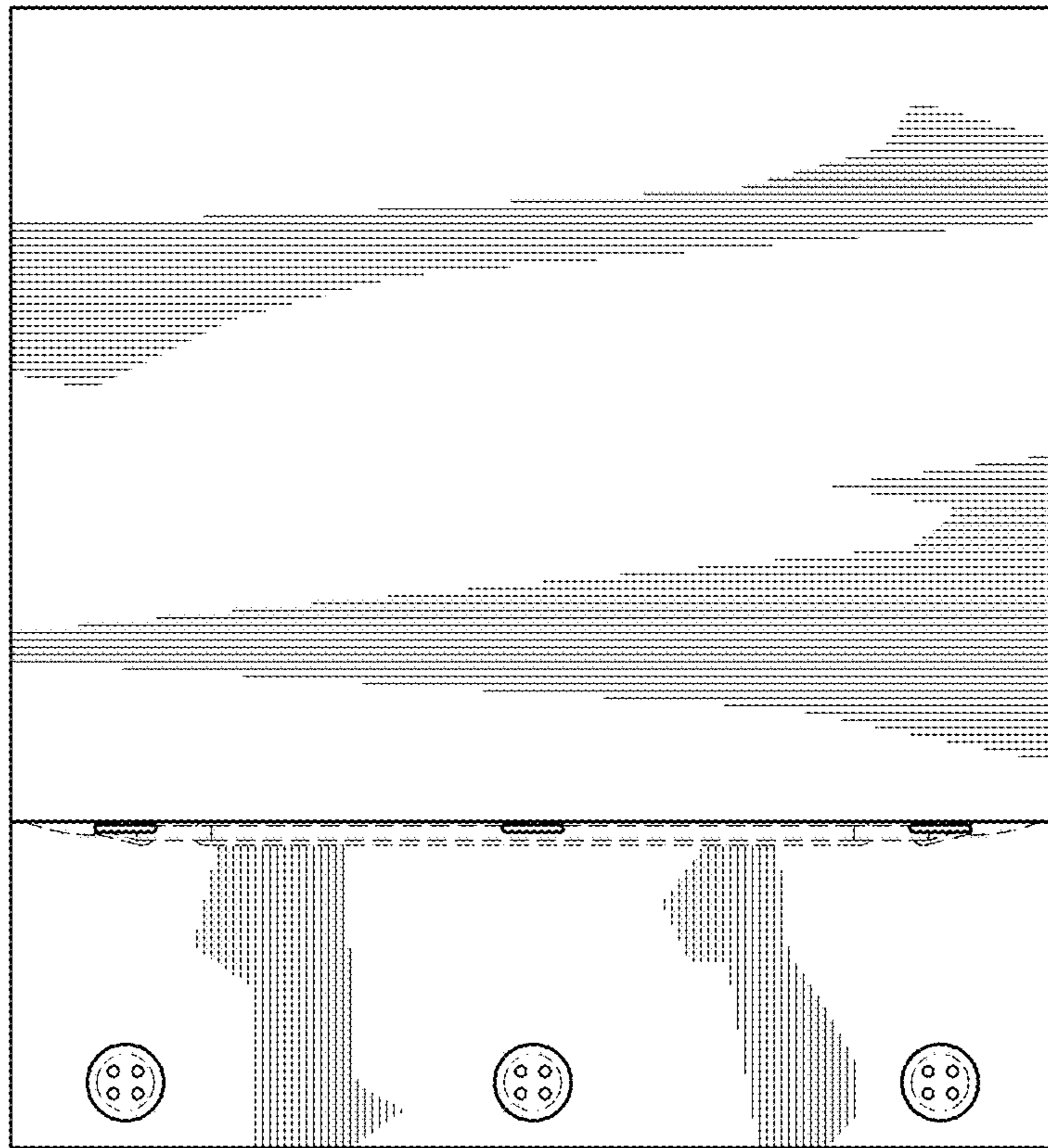


*FIG. 11*



*FIG. 12*

*FIG. 13*



*FIG. 14*

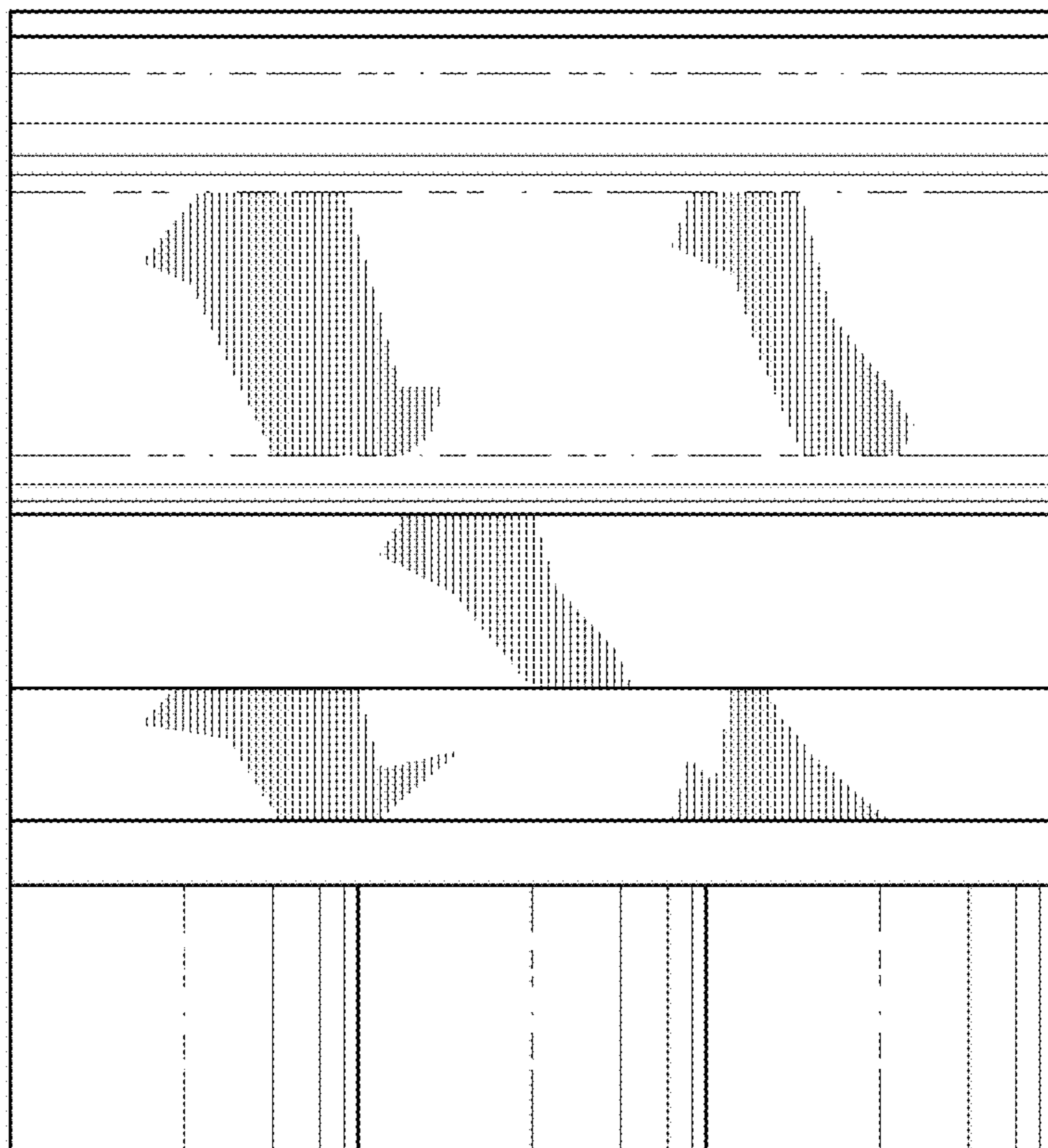
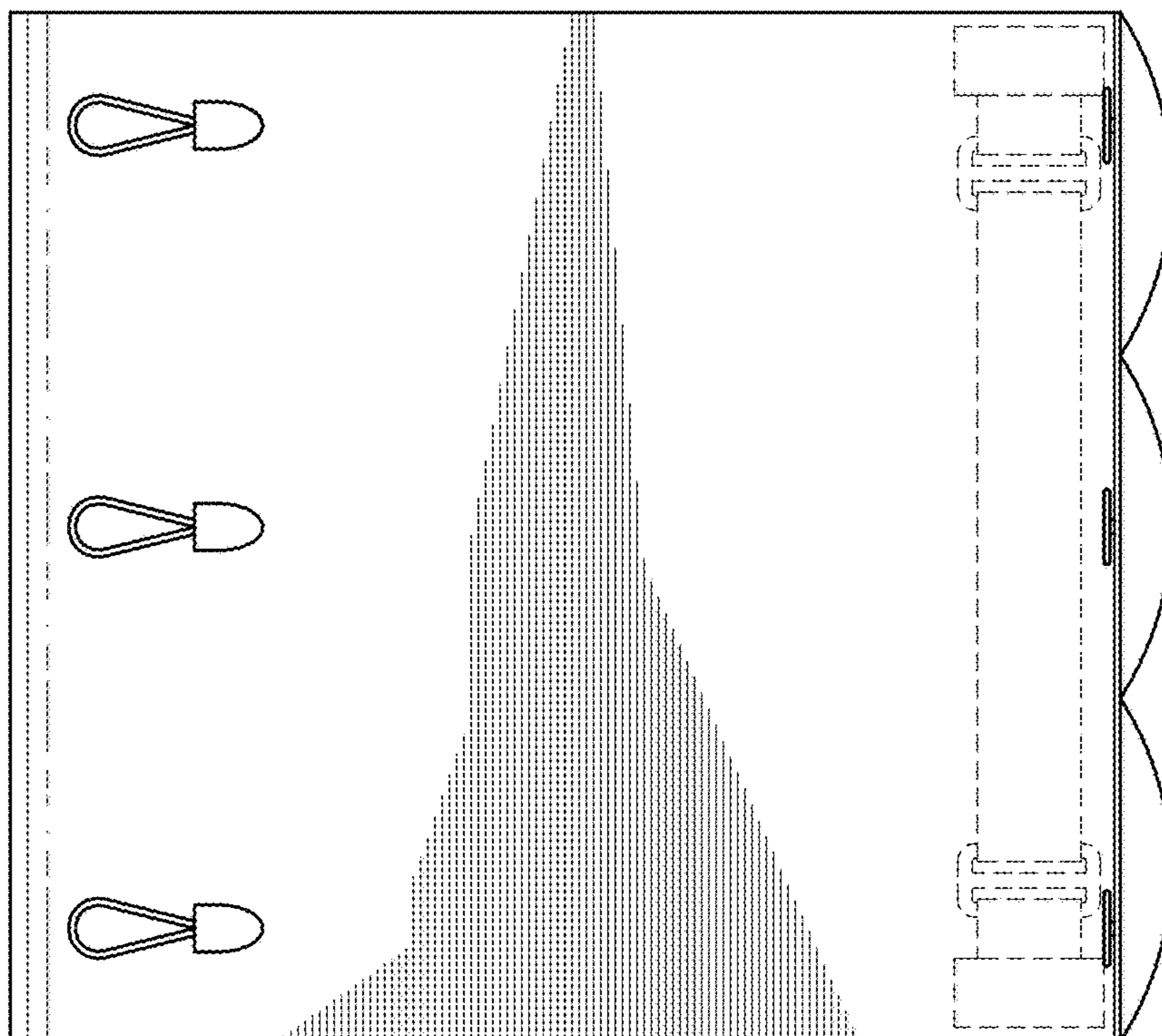


FIG. 15



FIG. 16





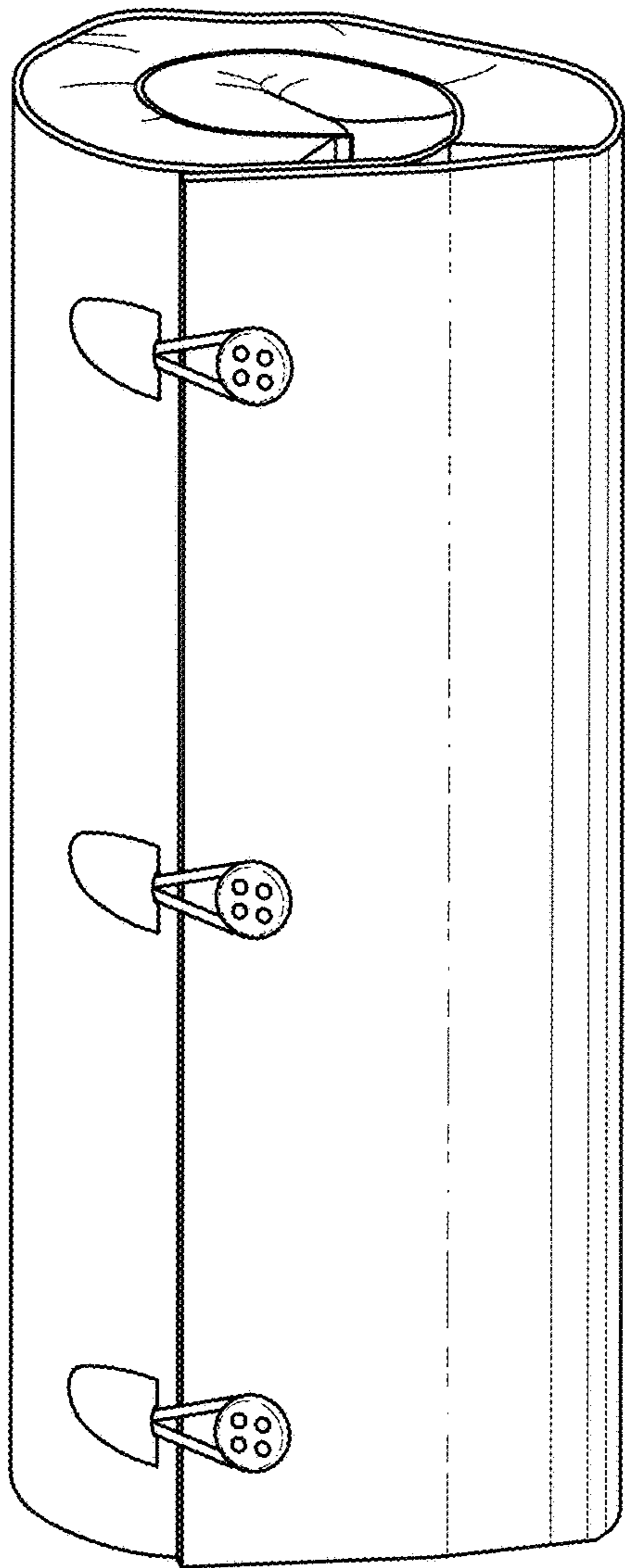


FIG. 17

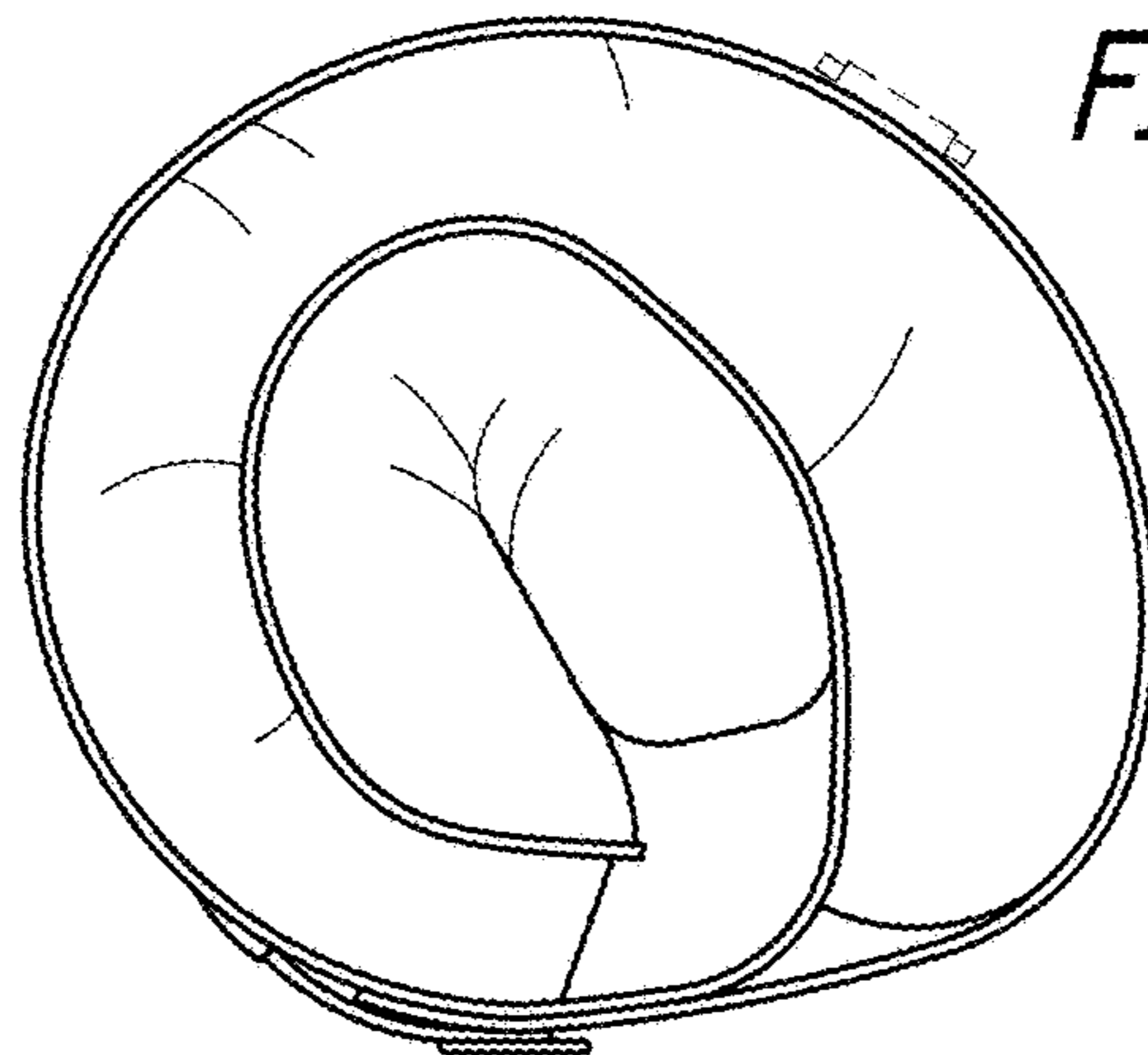


FIG. 18