



US00D782847S

(12) **United States Design Patent**
Licciardi Di Stefano

(10) **Patent No.:** **US D782,847 S**

(45) **Date of Patent:** **** Apr. 4, 2017**

(54) **WINDER ASSEMBLY**

(71) Applicant: **ACMEDA PTY LTD**, Broadmeadows
VIC (AU)

(72) Inventor: **Carmelo Joseph Licciardi Di Stefano**,
Broadmeadows (AU)

(73) Assignee: **Acmeda Pty Ltd**, Broadmeadows, VIC
(AU)

(**) Term: **14 Years**

(21) Appl. No.: **29/517,216**

(22) Filed: **Feb. 11, 2015**

(30) **Foreign Application Priority Data**

Aug. 29, 2014 (AU) 14309/2014

(51) **LOC (10) Cl.** **06-10**

(52) **U.S. Cl.**
USPC **D6/580**

(58) **Field of Classification Search**
USPC D6/575–580; D8/349, 352, 353, 368
See application file for complete search history.

(56) **References Cited**

U.S. PATENT DOCUMENTS

- 5,213,181 A * 5/1993 Isaka G04B 1/10
185/39
- D411,732 S * 6/1999 Chamberlain D8/350
- 6,138,740 A * 10/2000 Chou E06B 9/50
160/298
- 6,158,563 A * 12/2000 Welfonder E06B 9/90
160/291
- 6,685,592 B2 * 2/2004 Fraczek E06B 9/44
160/166.1
- D498,635 S * 11/2004 Allsopp D6/580

- D518,326 S * 4/2006 Allsopp D6/580
- 8,474,509 B2 * 7/2013 Koop E06B 9/78
160/291
- D694,040 S * 11/2013 Di Stefano D6/580
- D701,709 S * 4/2014 Wills D6/580
- 8,844,605 B2 * 9/2014 Ng E06B 9/42
160/170
- D733,460 S * 7/2015 Corey D6/580
- 9,222,305 B2 * 12/2015 Di Stefano E06B 9/68
- 2005/0247413 A1 * 11/2005 Nien E06B 9/42
160/321
- 2012/0291965 A1 * 11/2012 Marocco E06B 9/40
160/120

* cited by examiner

Primary Examiner — Patricia Palasik

(74) *Attorney, Agent, or Firm* — Hahn Loeser & Parks
LLP

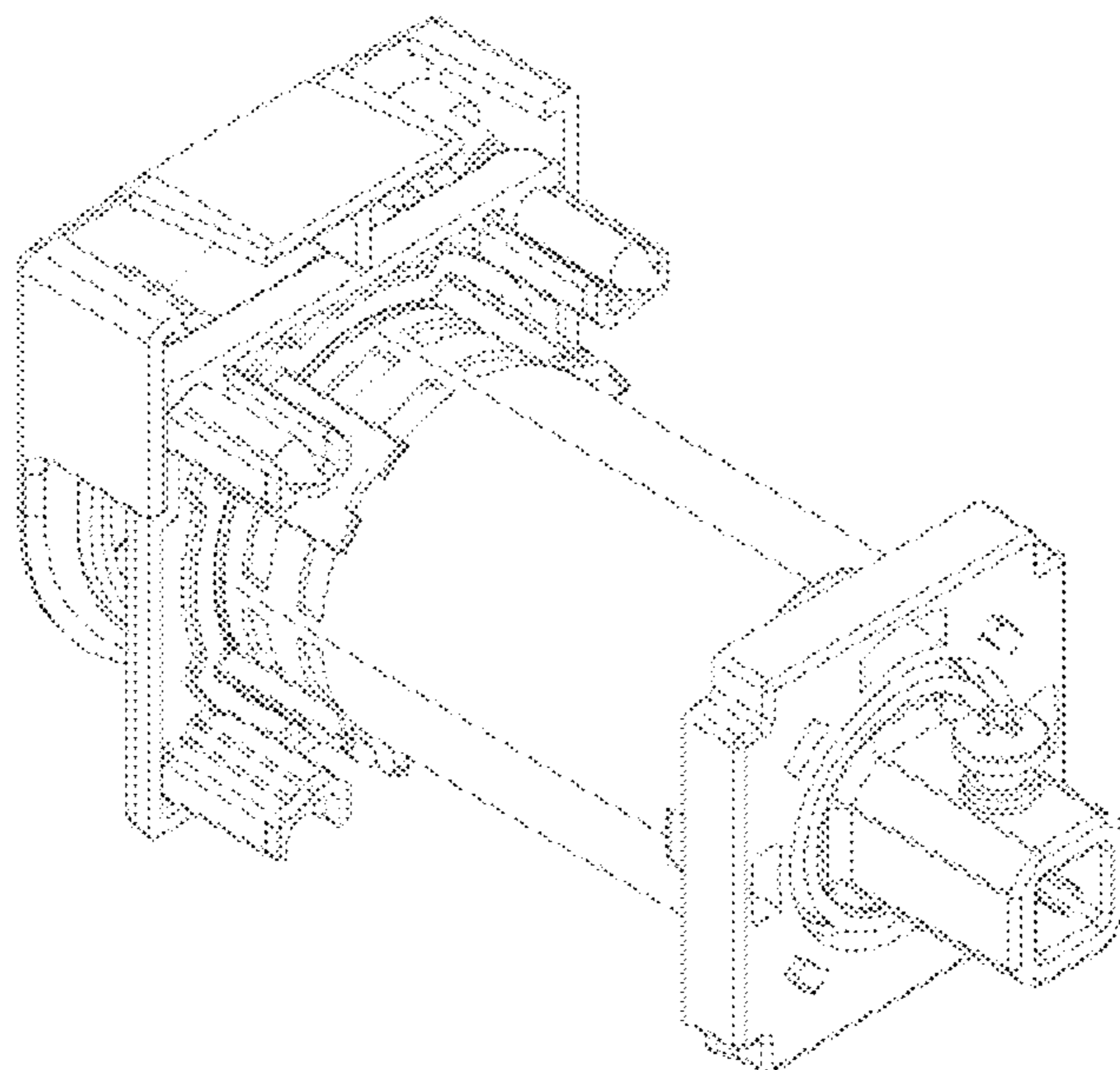
(57) **CLAIM**

The ornamental design for a winder assembly, as shown and described.

DESCRIPTION

FIG. 1 is a top view thereof;
 FIG. 2 is a bottom view thereof;
 FIG. 3 is a front view thereof;
 FIG. 4 is a rear view thereof;
 FIG. 5 is a right view thereof;
 FIG. 6 is a front isometric view thereof;
 FIG. 7 is a rear isometric view thereof;
 FIG. 8 is a front isometric view thereof; and,
 FIG. 9 is a rear isometric view thereof.
 The broken lines in the drawings depict unclaimed environmental subject matter.

1 Claim, 4 Drawing Sheets



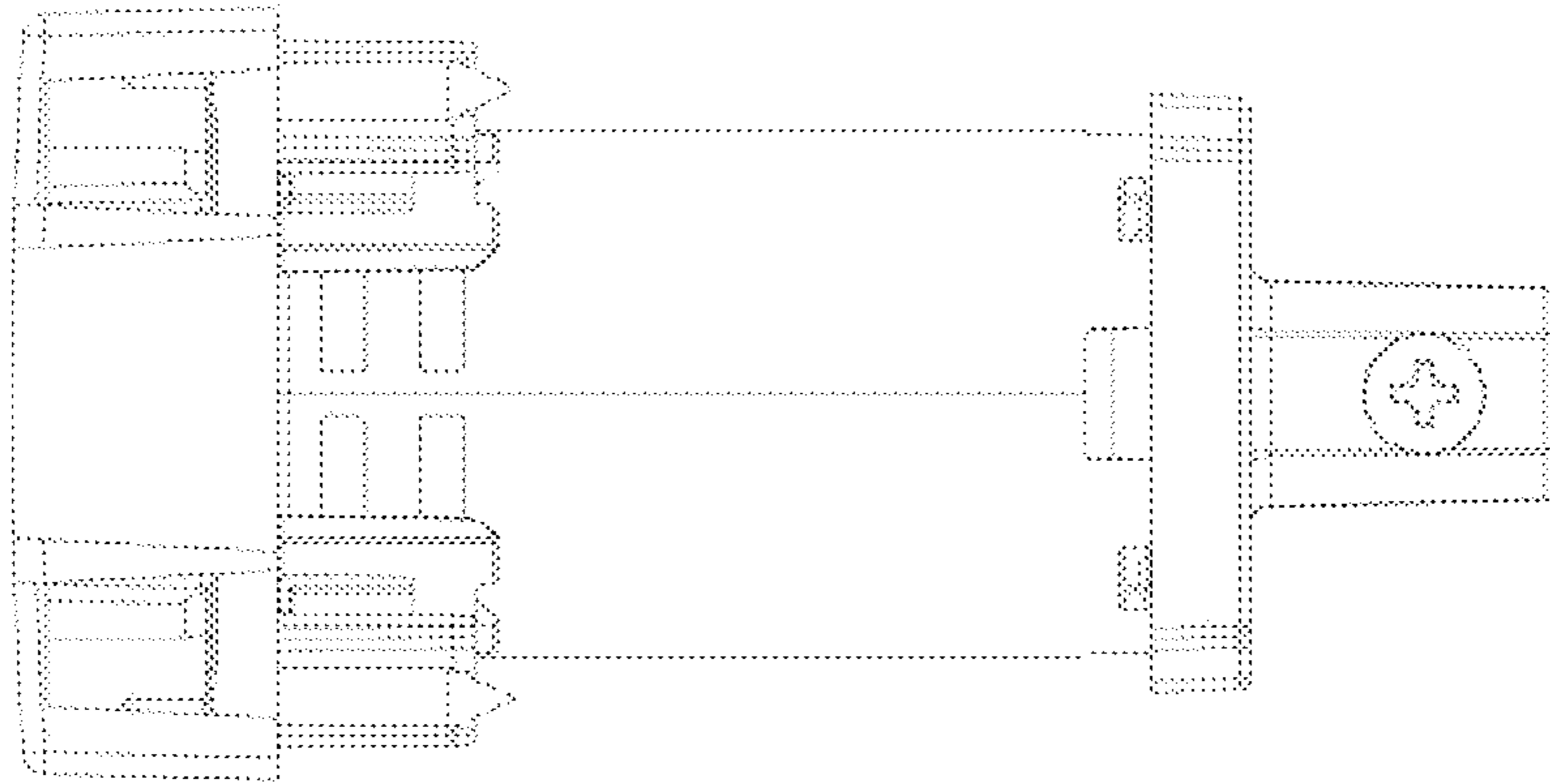


FIG. 1

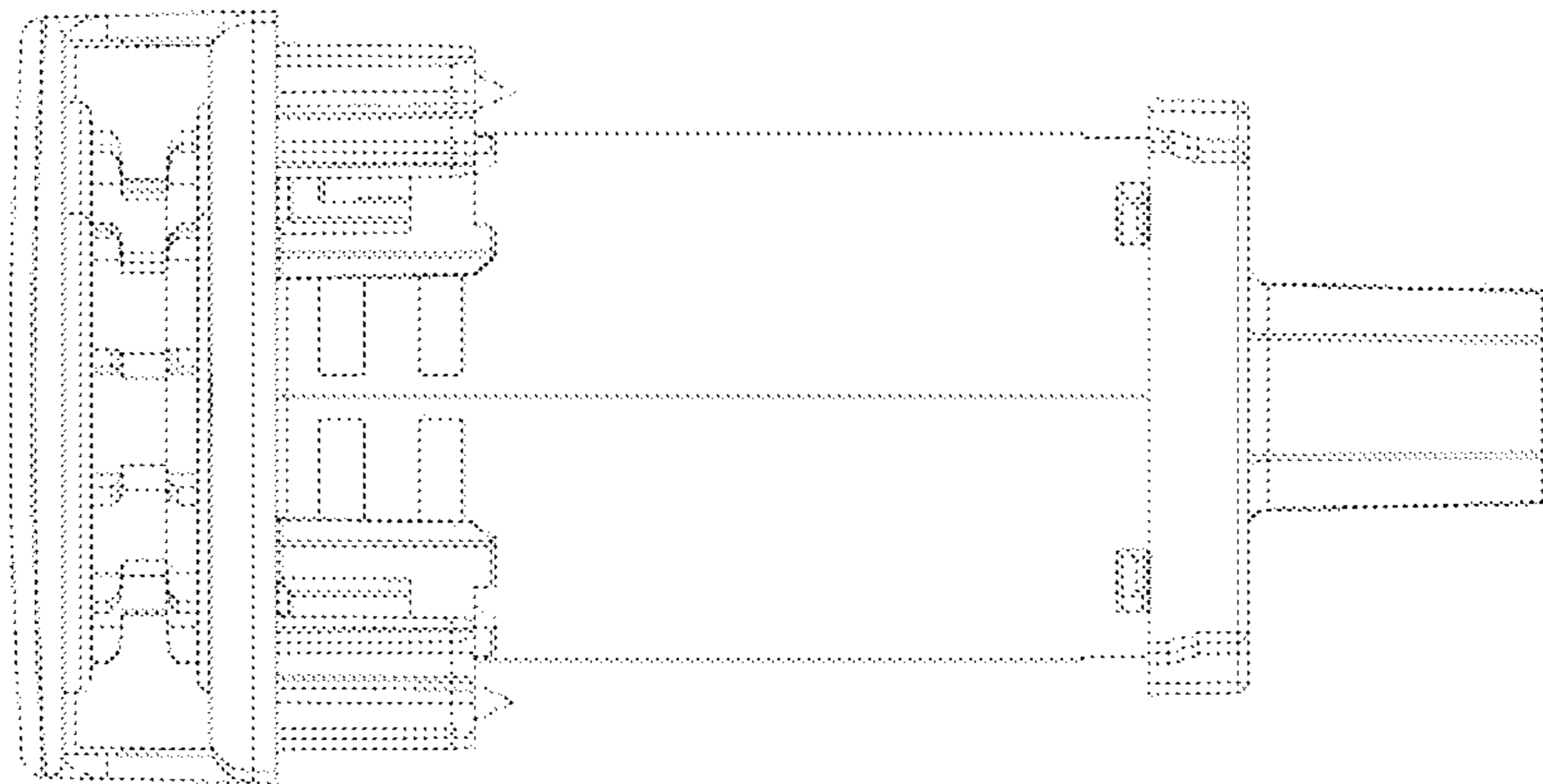


FIG. 2

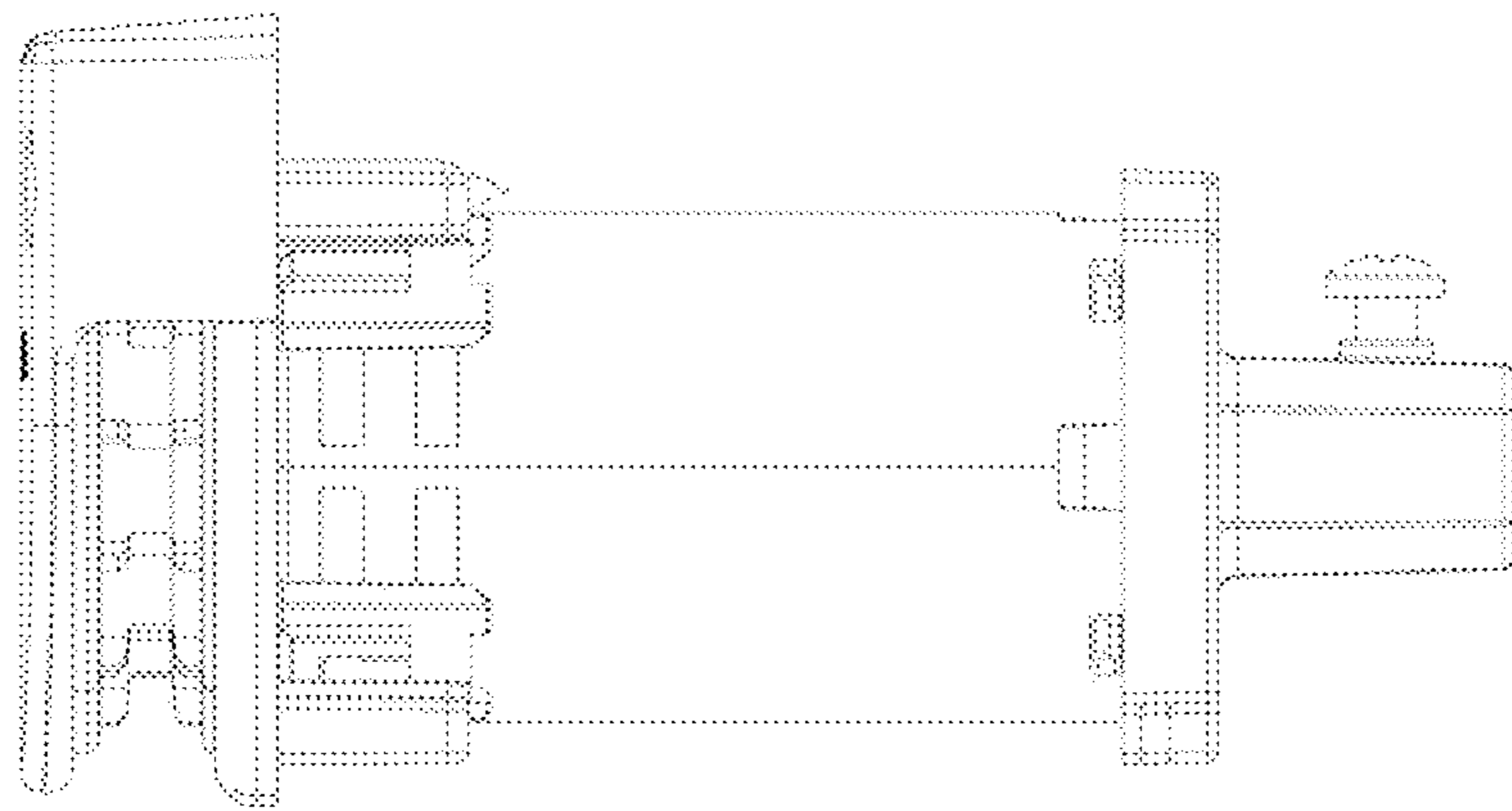


FIG. 3

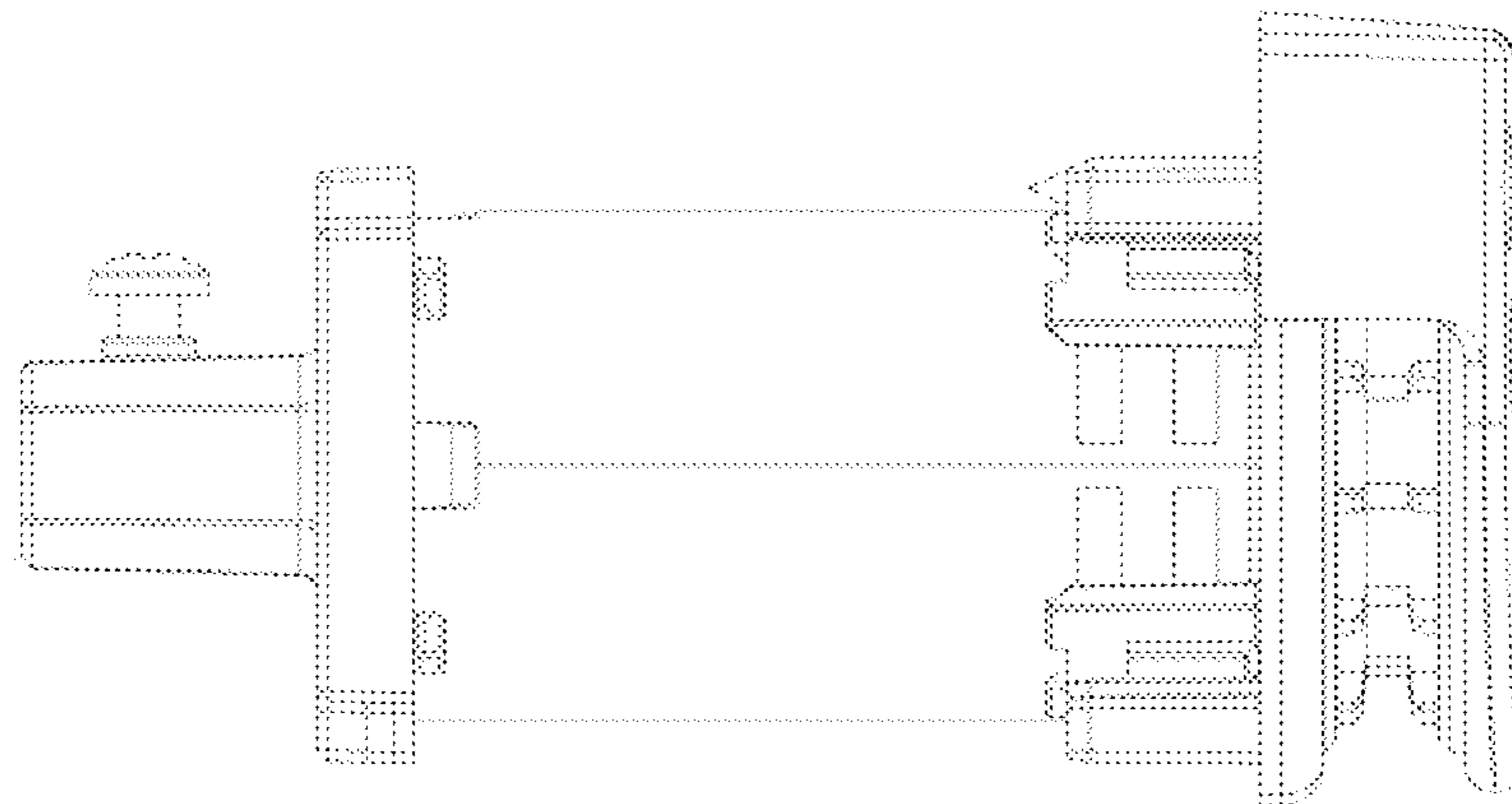


FIG. 4

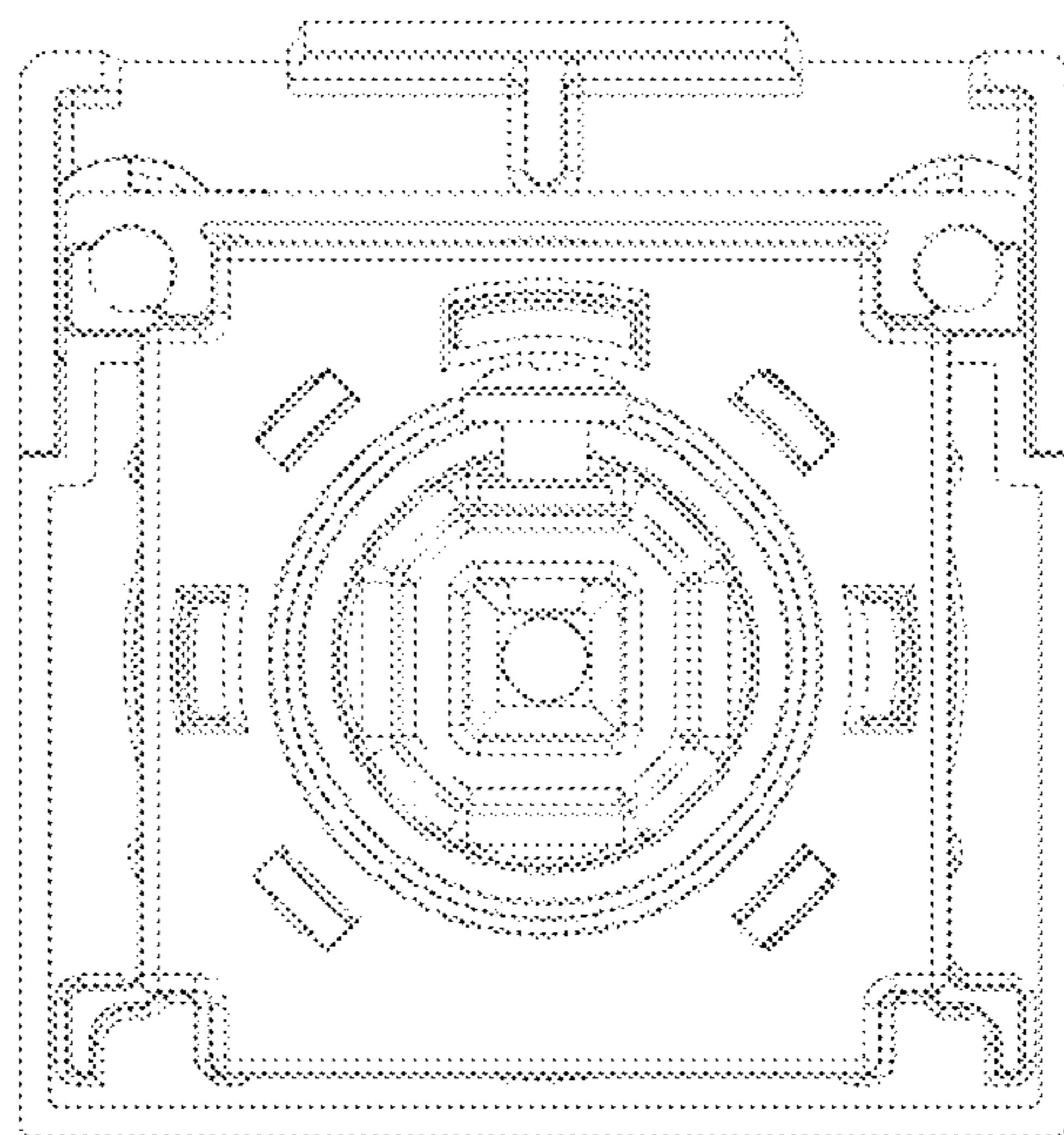


FIG. 5

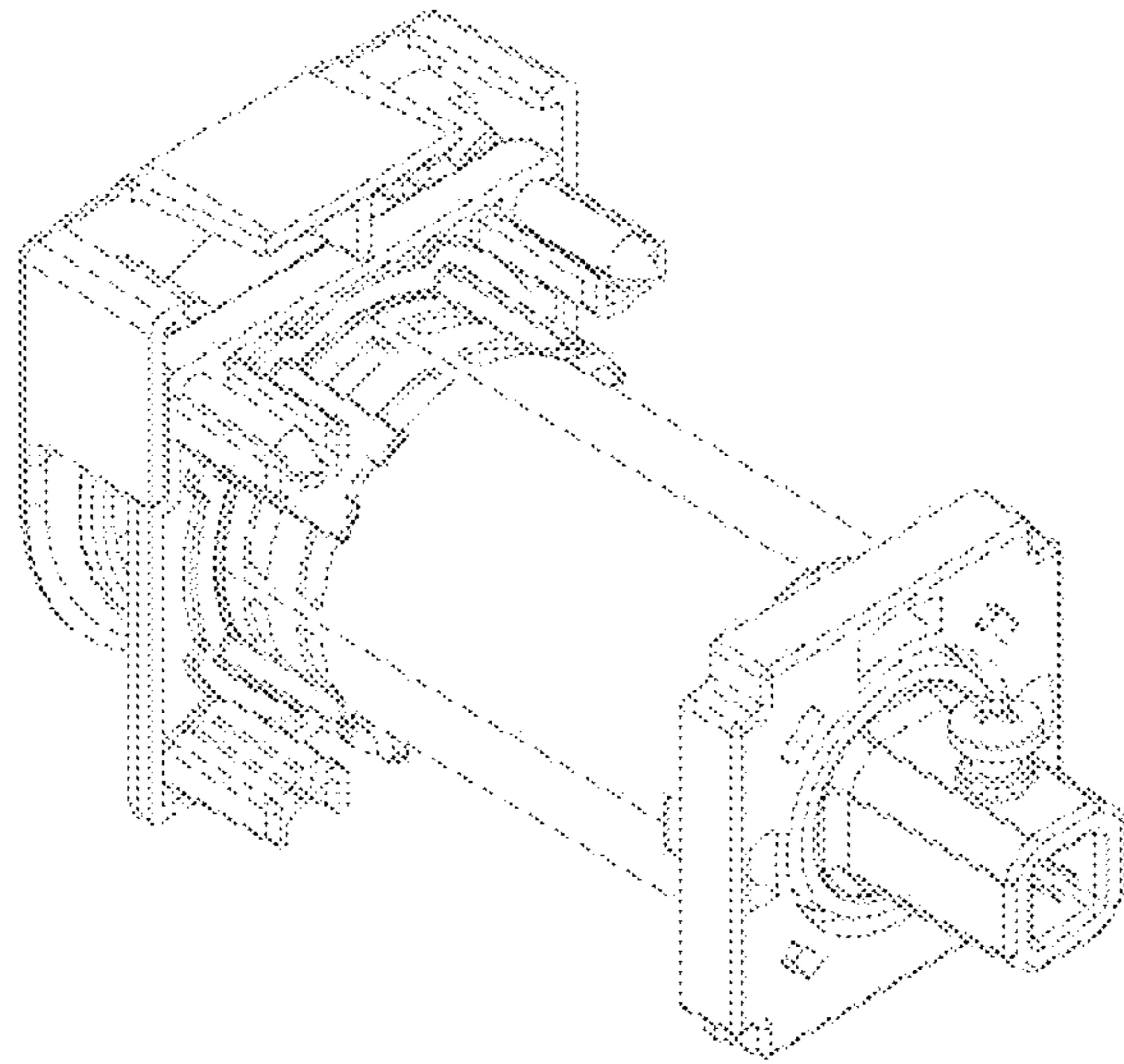


FIG. 6

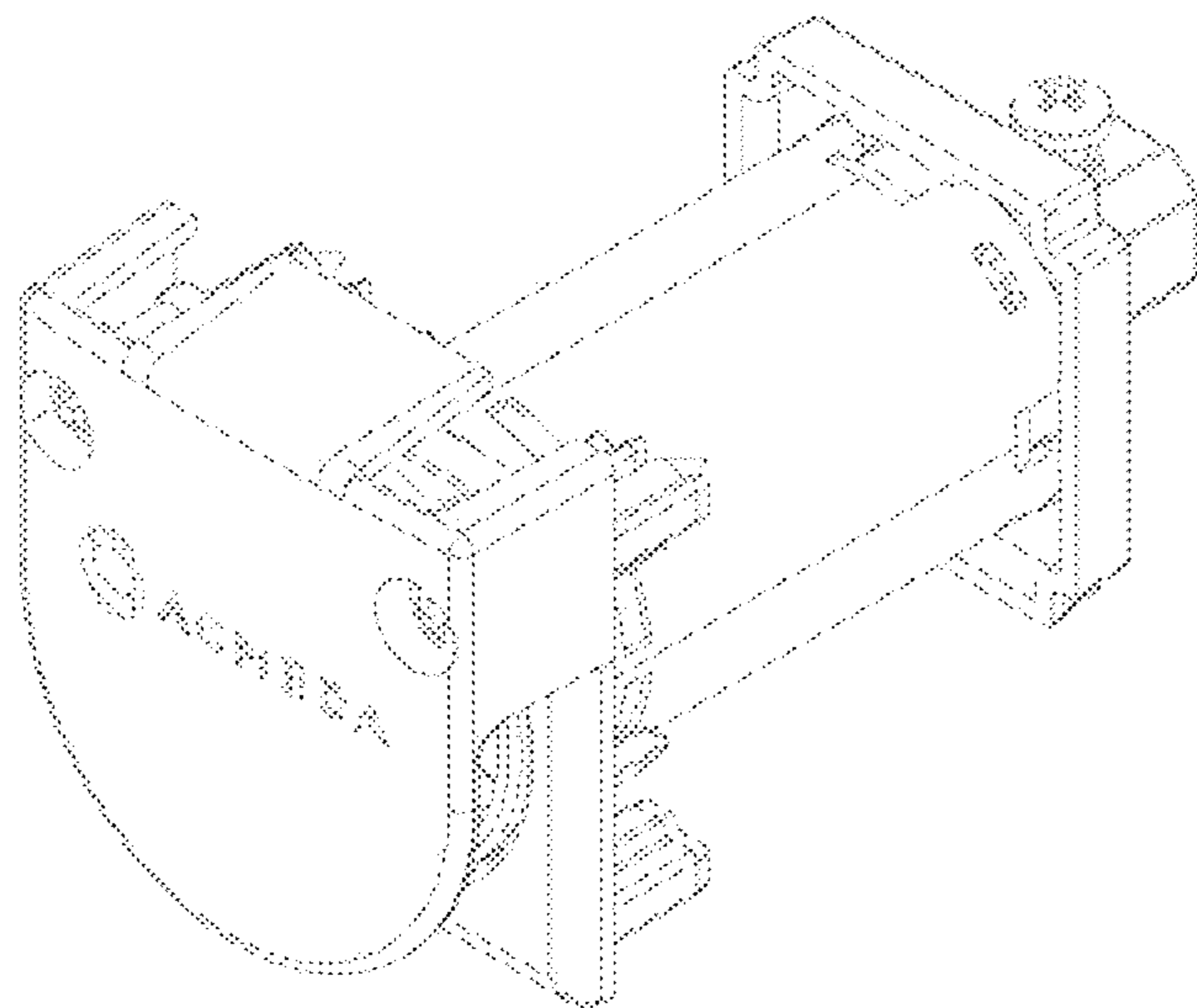


FIG. 7

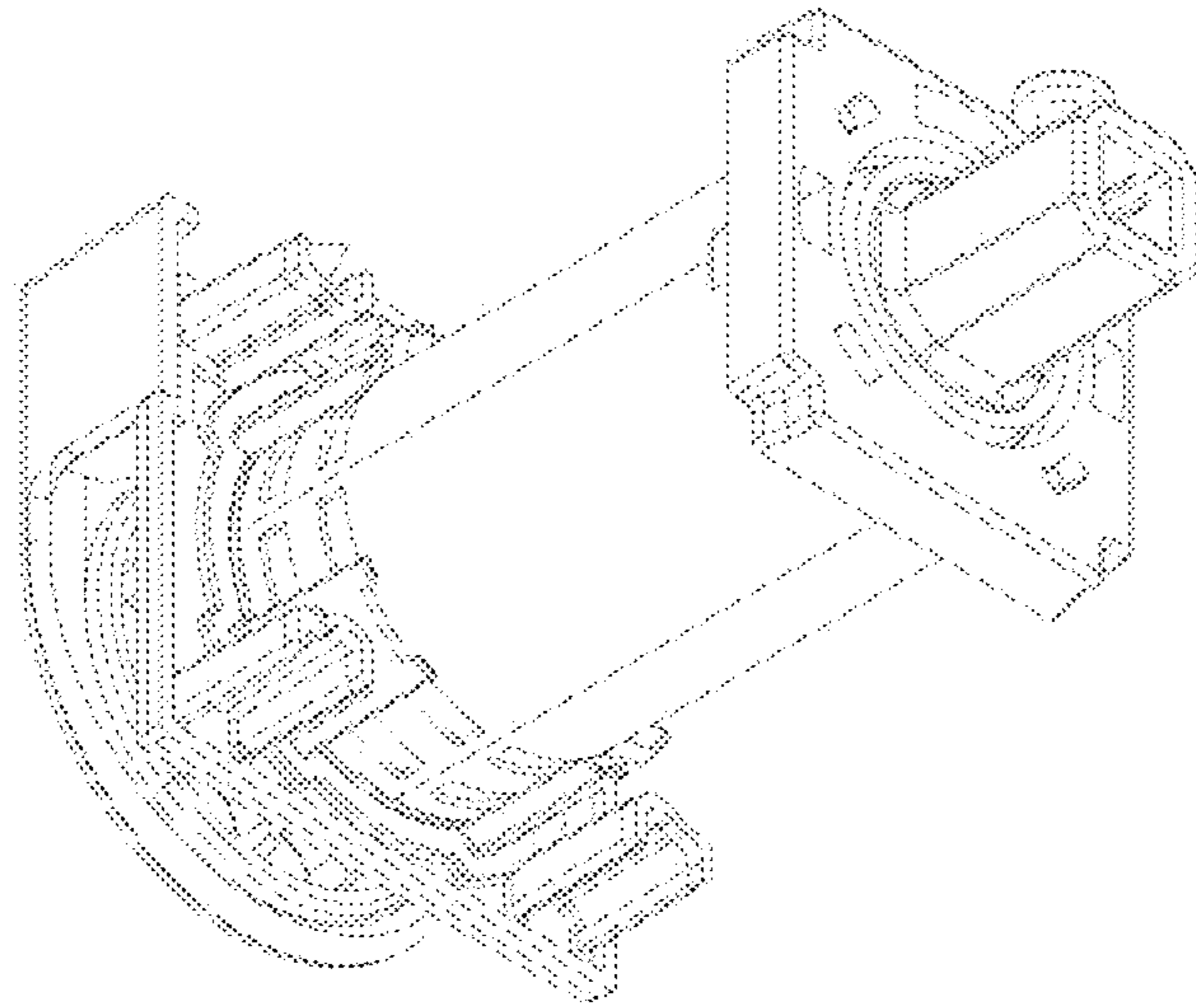


FIG. 8

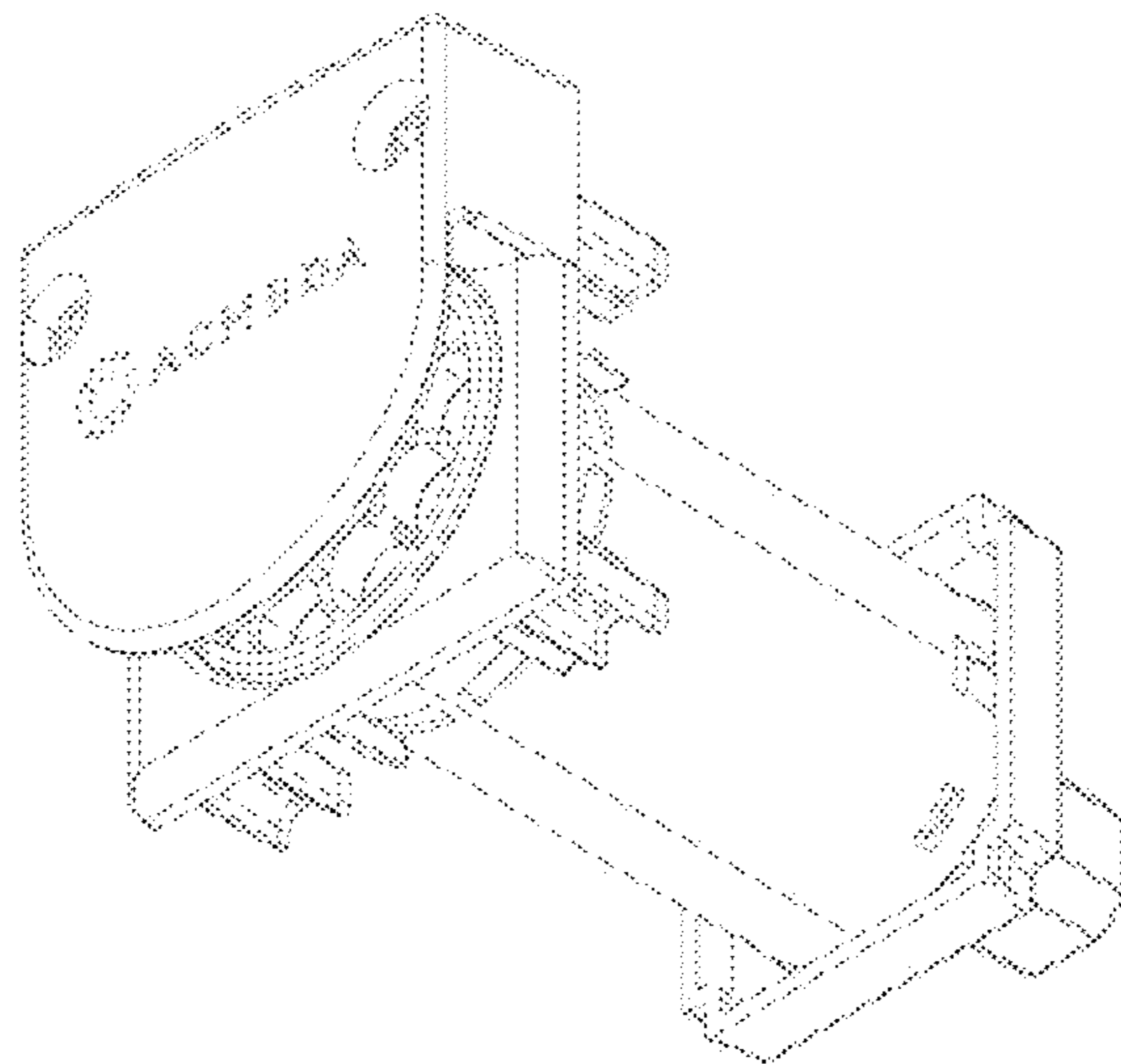


FIG. 9