

US00D782845S

(12) **United States Design Patent** (10) **Patent No.:** **US D782,845 S**
Golembieski (45) **Date of Patent:** **** Apr. 4, 2017**

- (54) **FOLDABLE SHELF**
- (71) Applicant: **Ronald Golembieski**, Brewerton, NY (US)
- (72) Inventor: **Ronald Golembieski**, Brewerton, NY (US)
- (**) Term: **15 Years**
- (21) Appl. No.: **29/540,613**
- (22) Filed: **Sep. 25, 2015**
- (51) **LOC (10) Cl.** **06-04**
- (52) **U.S. Cl.**
USPC **D6/574**
- (58) **Field of Classification Search**
USPC D6/574, 320-324; D7/698; D26/72;
52/287.1; 108/28-29, 152; 211/13.1, 42,
211/86.01, 88.01, 90.01, 90.03, 126.1,
211/134, 153; 248/205.3, 235, 243, 247,
248/249, 250; 312/108, 140.2, 229
CPC A47B 43/00; A47B 43/04; A47B 47/0066;
A47B 47/04; A47B 63/00; A47B 69/00
See application file for complete search history.

D634,957 S * 3/2011 Rosenzweig D6/567
 8,430,252 B2 * 4/2013 Susan A47B 96/067
 108/152
 2013/0319297 A1 * 12/2013 Ng A47B 5/006
 108/169

* cited by examiner

Primary Examiner — Wan Laymon
Assistant Examiner — Mark Booker
 (74) *Attorney, Agent, or Firm* — Harris Beach PLLC

(57) **CLAIM**

The ornamental design for a foldable shelf, as shown and described.

DESCRIPTION

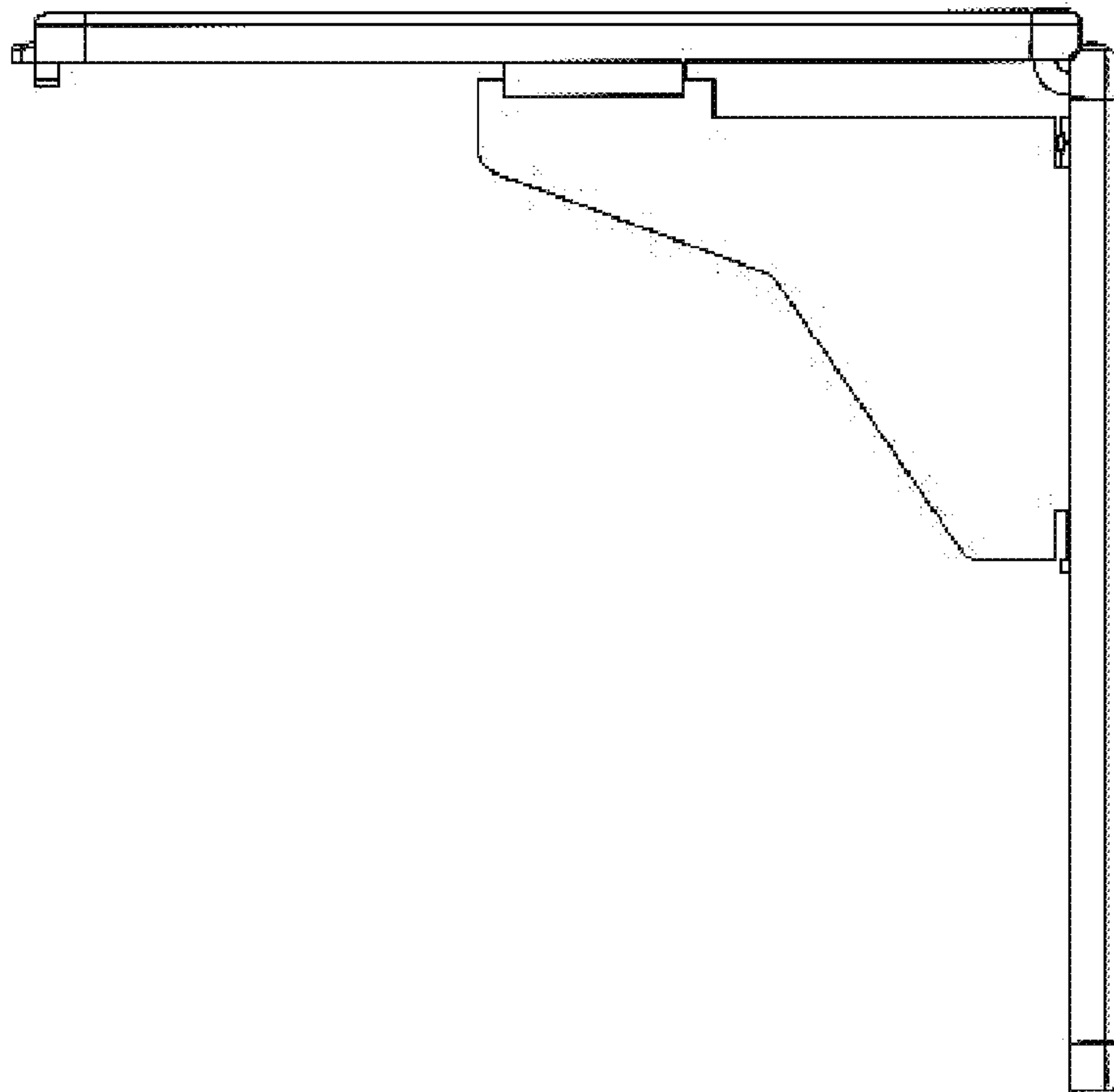
FIG. 1 is a left side elevation view of a foldable shelf in the unfolded position showing my design;
 FIG. 2 is front elevation view thereof;
 FIG. 3 is right side elevation view thereof;
 FIG. 4 is back elevation view thereof;
 FIG. 5 is a top plan view thereof;
 FIG. 6 is a left side elevation of a foldable shelf in the folded position showing my design;
 FIG. 7 is a perspective view thereof;
 FIG. 8 is a upper perspective view of a foldable shelf in the unfolded position showing my design;
 FIG. 9 is a lower perspective view thereof;
 FIG. 10 is lower perspective view of a foldable shelf in the open position in which the left shelf support and the right shelf support are pivoted in the stored position; and,
 FIG. 11 is a lower perspective view of a foldable shelf in the open position in which the left shelf support is in a deployed position and the right shelf support is in the stored position.

(56) **References Cited**

U.S. PATENT DOCUMENTS

- D385,140 S * 10/1997 Whitehead D6/574
- D520,288 S * 5/2006 Grosfillex D6/574

1 Claim, 11 Drawing Sheets



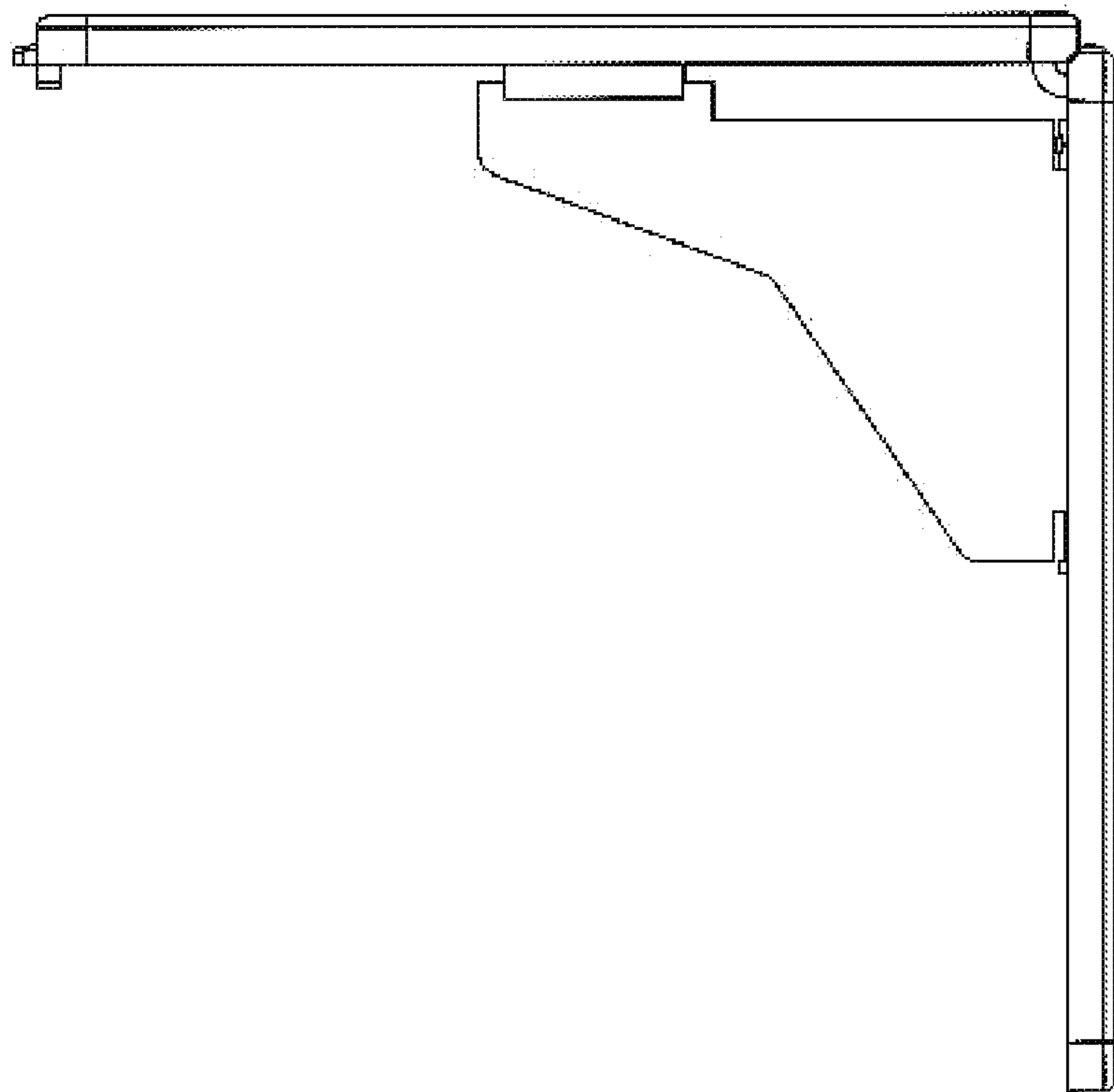


FIG. 1

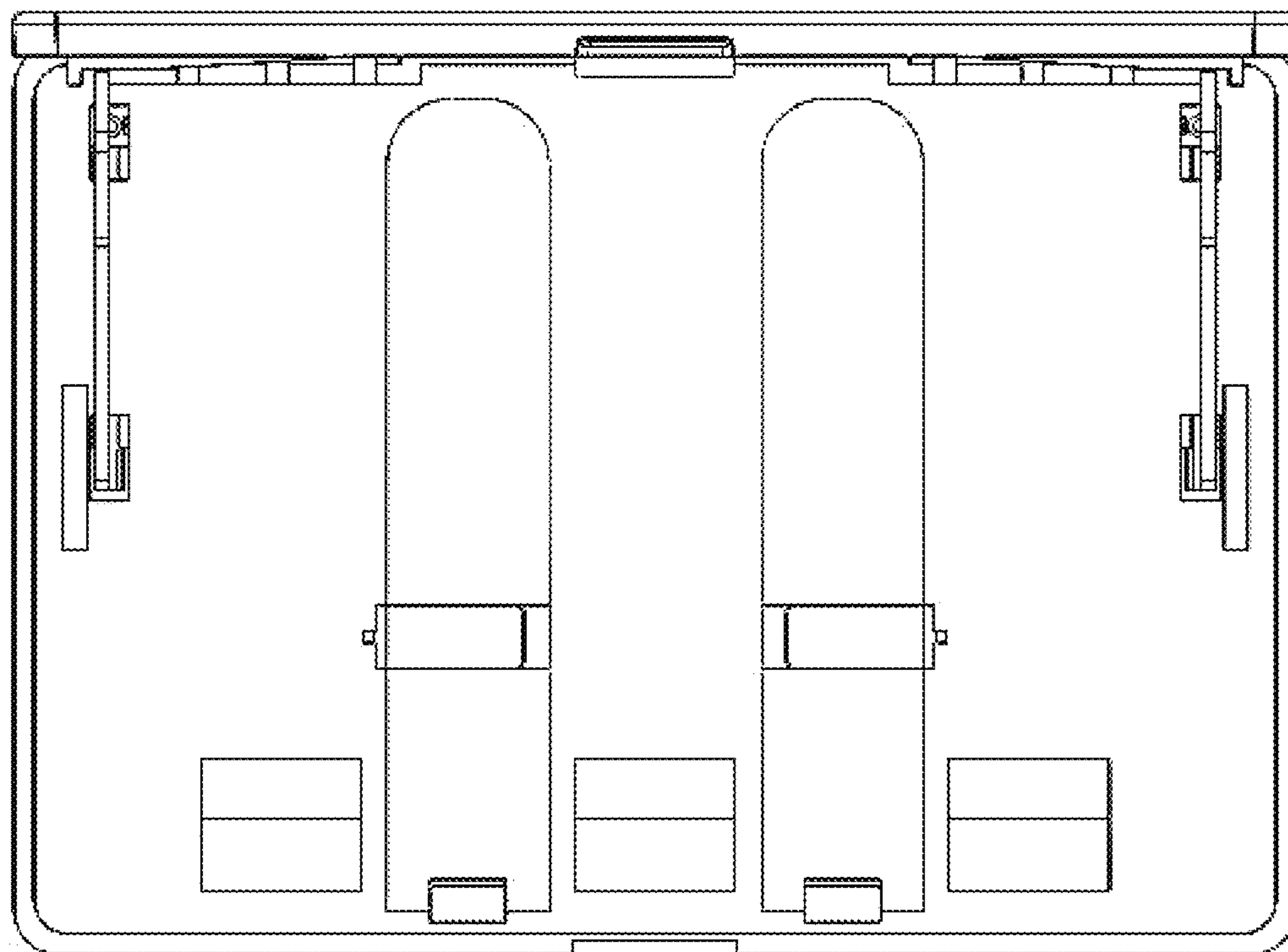


FIG. 2

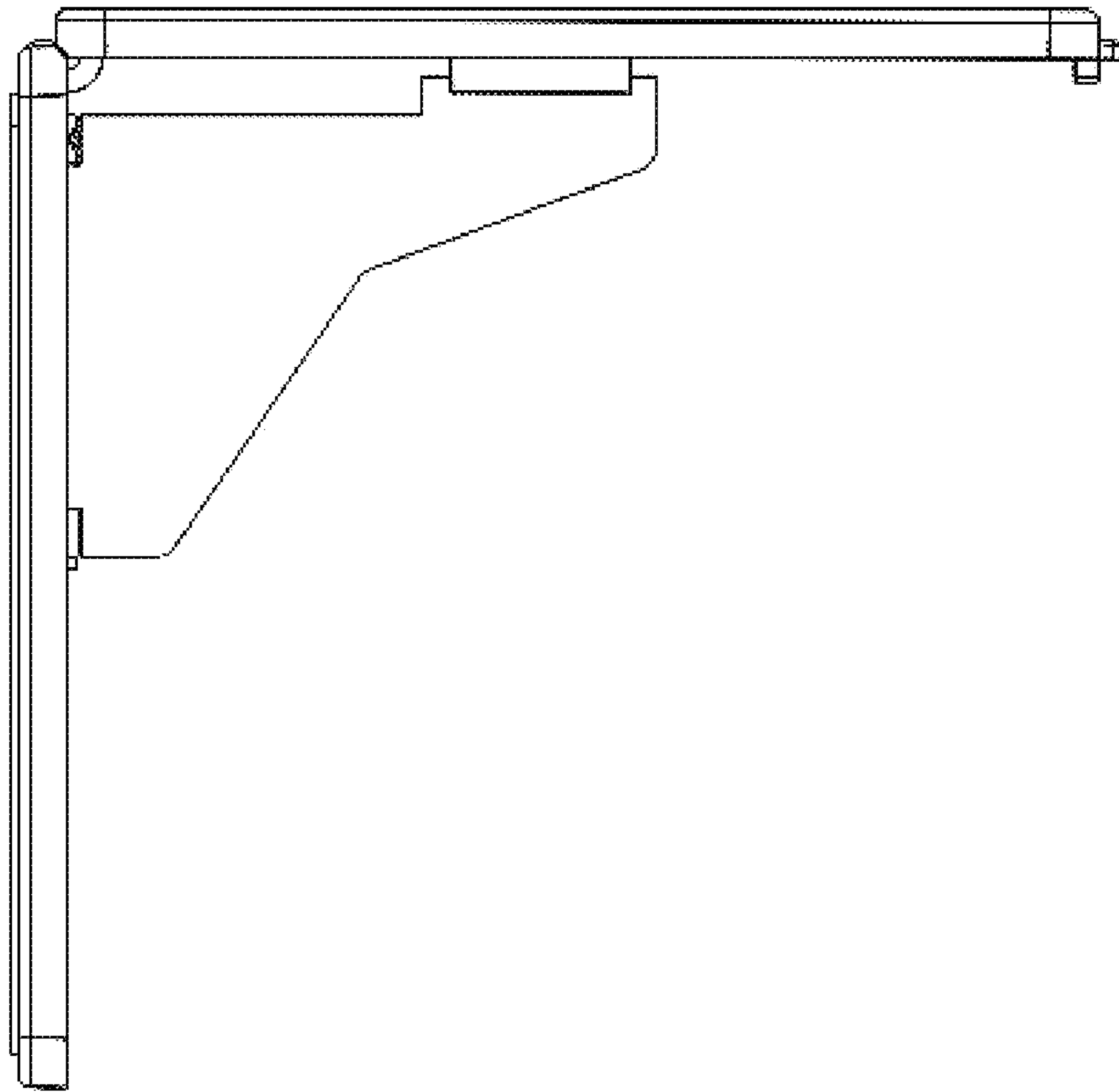


FIG. 3

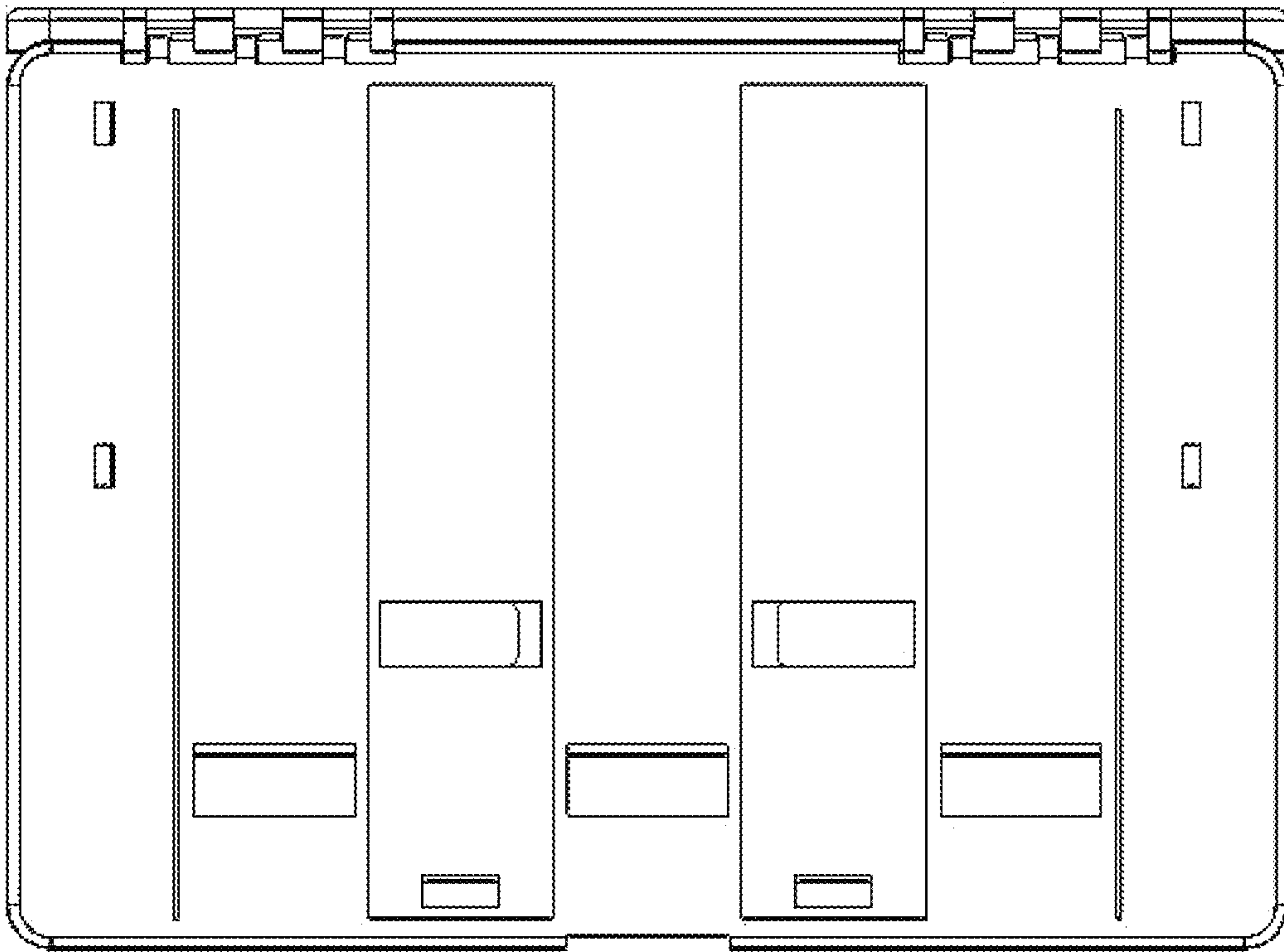


FIG. 4

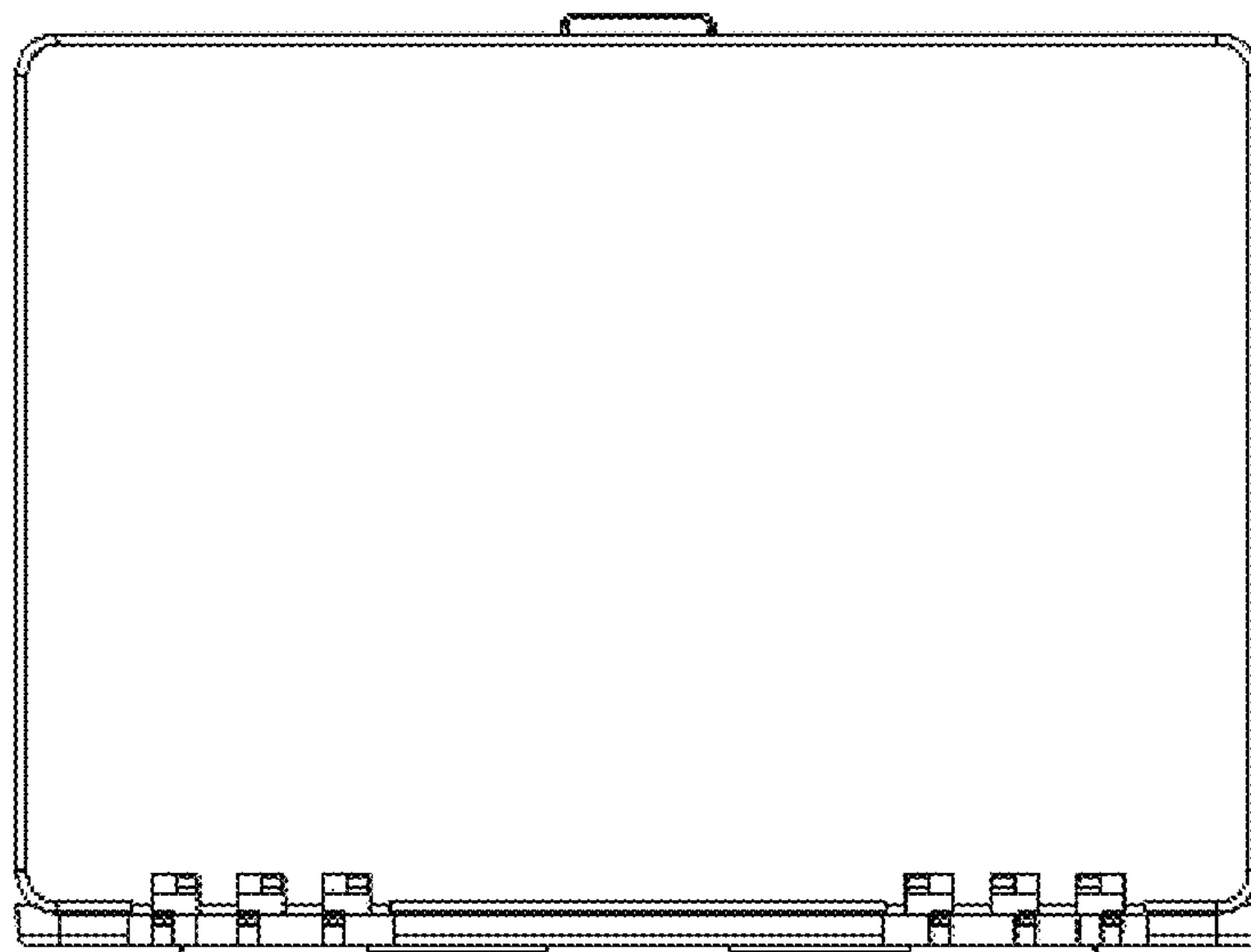


FIG. 5

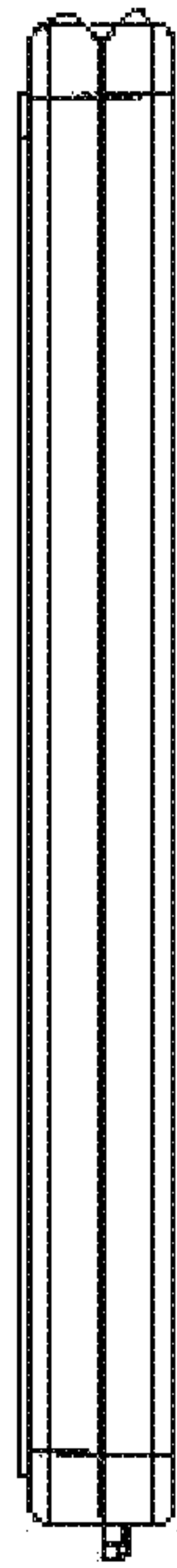


FIG. 6

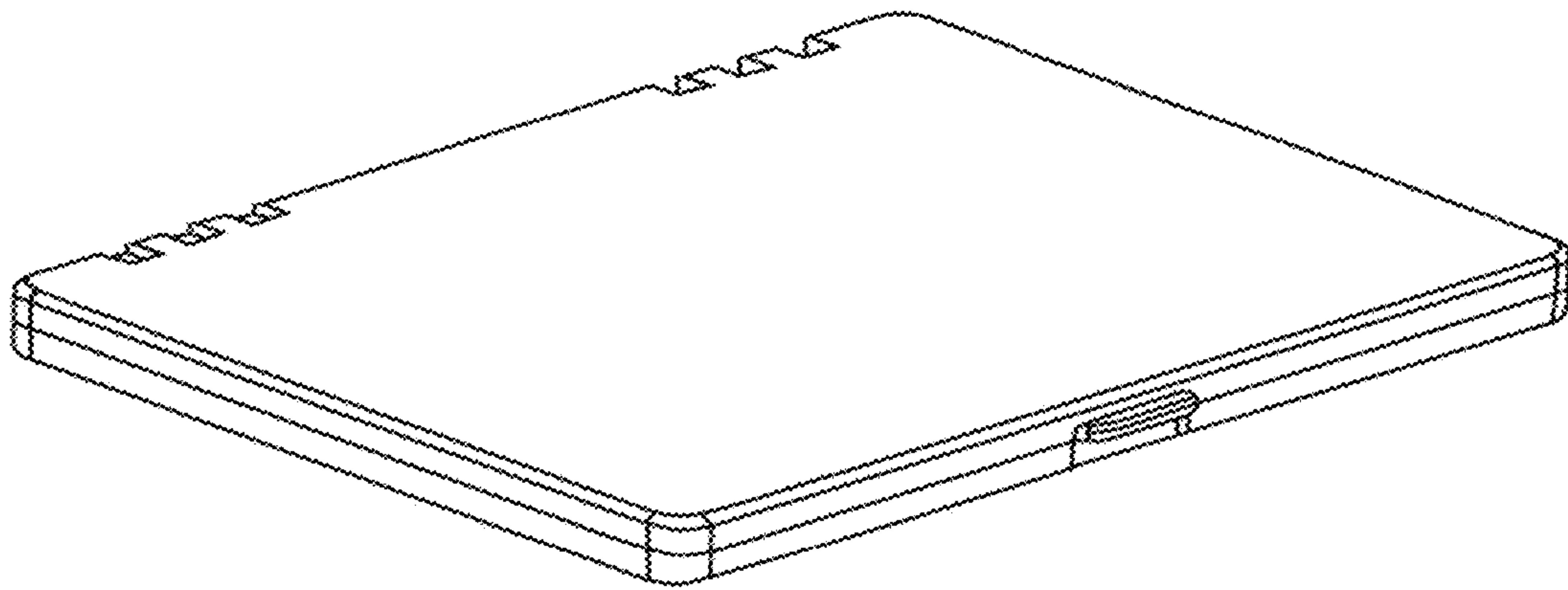


FIG. 7

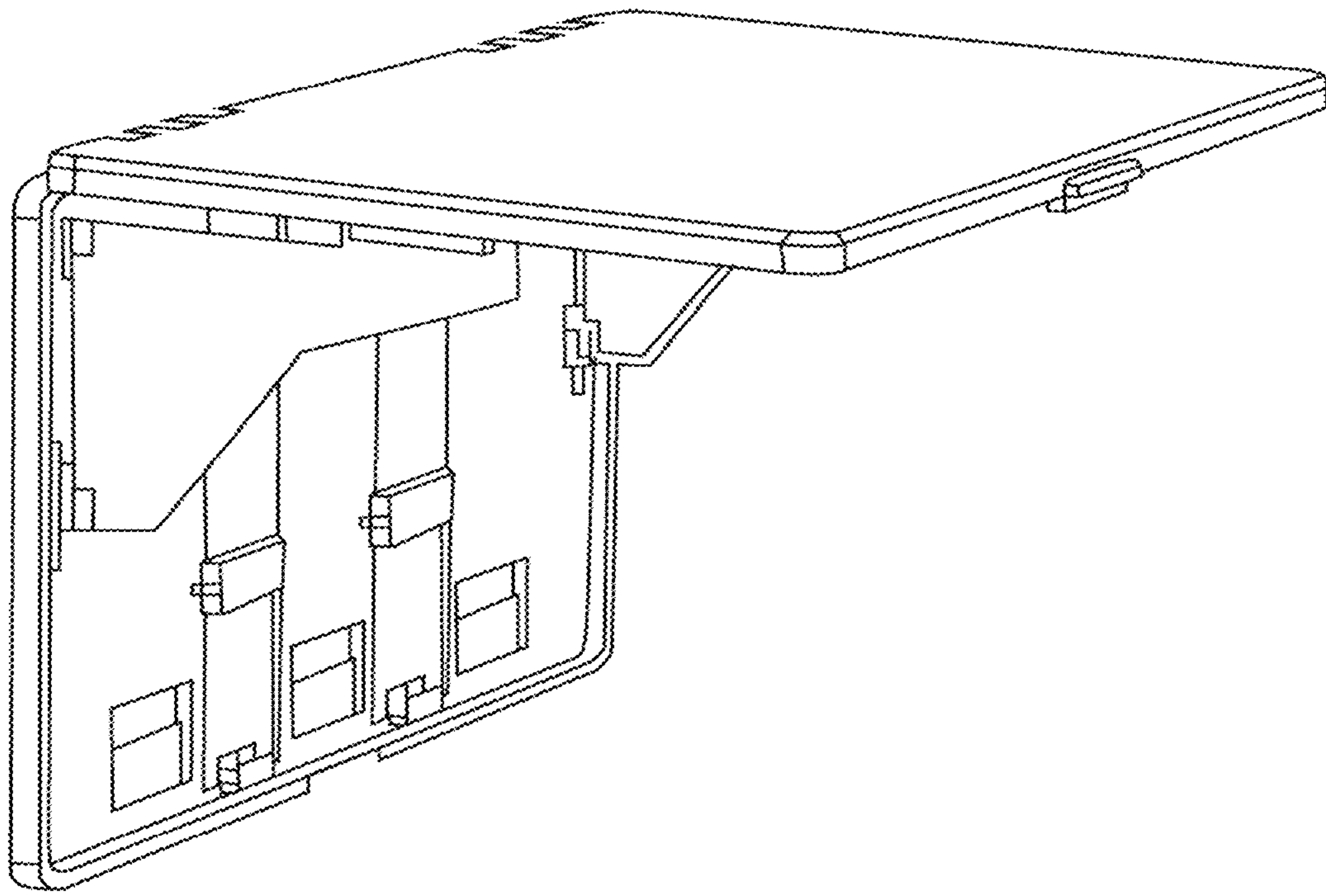


FIG. 8

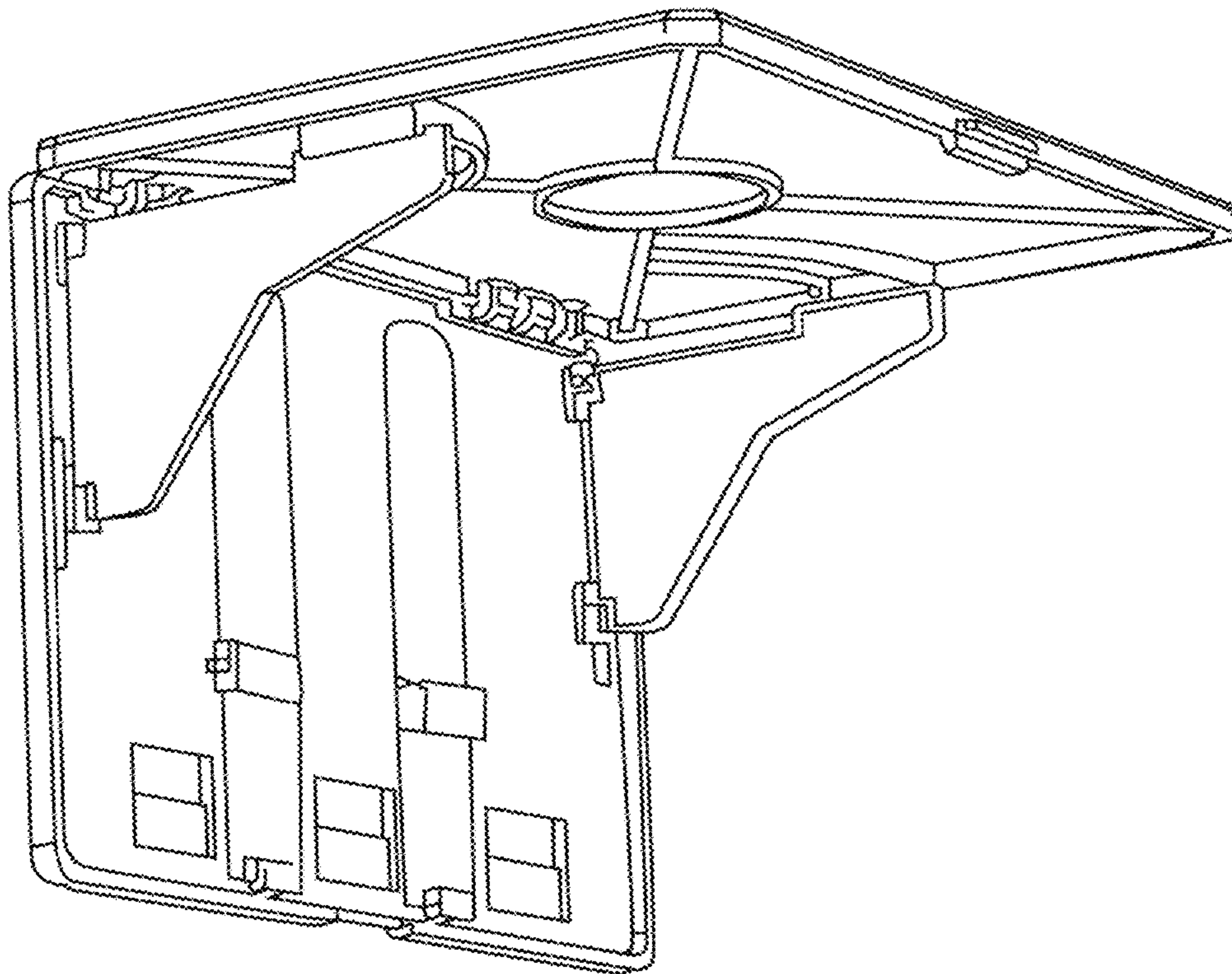


FIG. 9

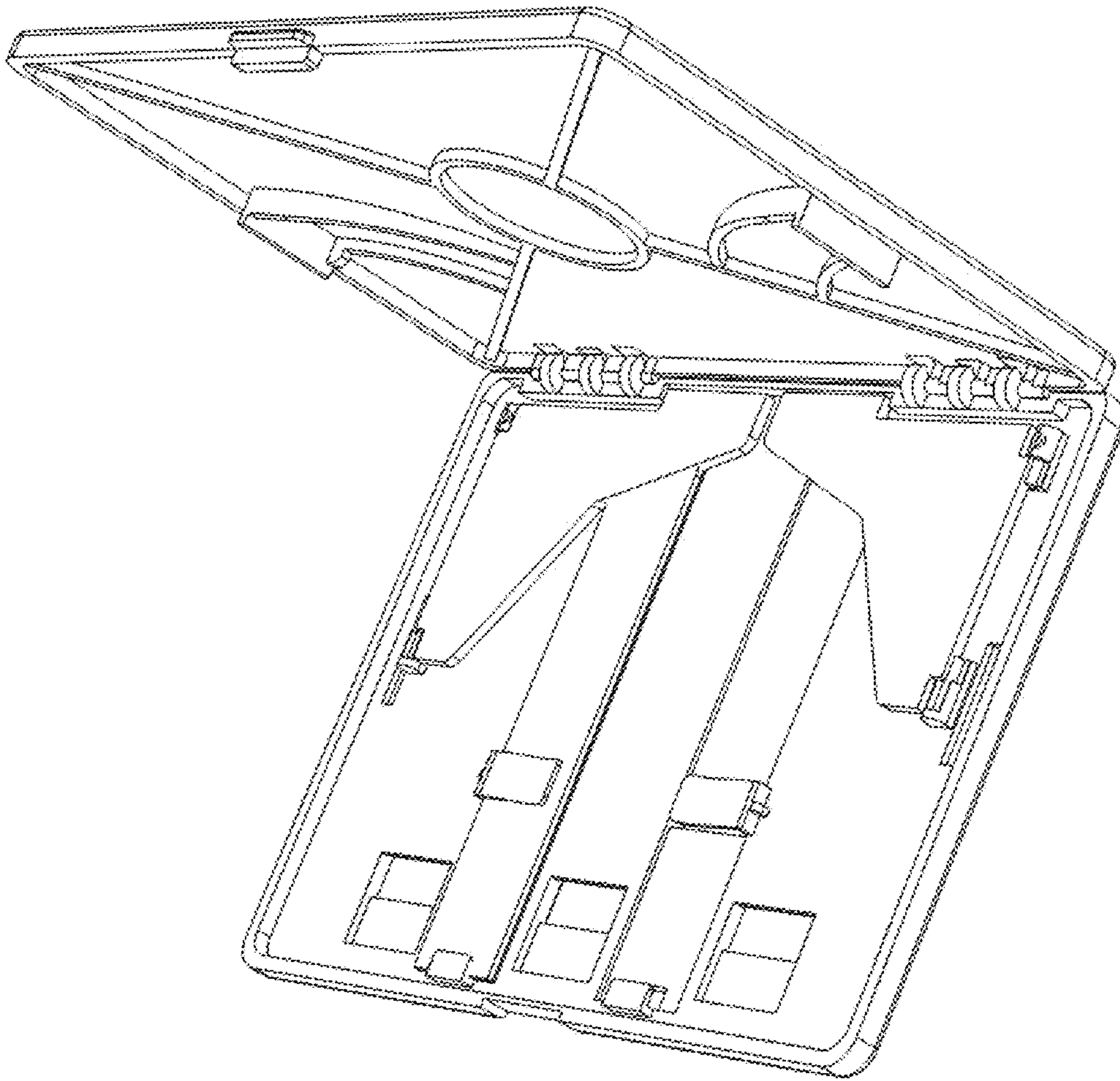


FIG. 10

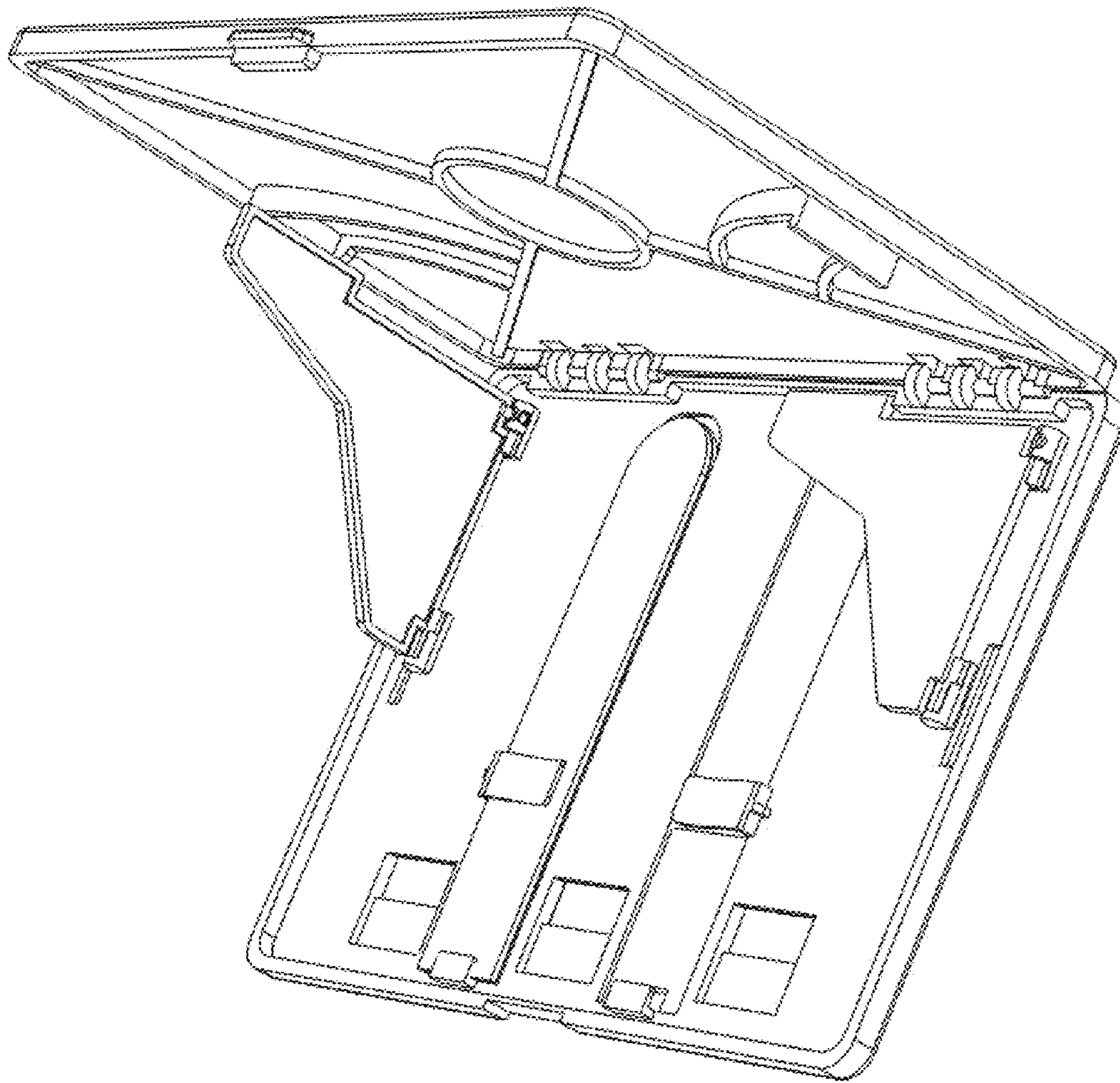


FIG. 11