



US00D782844S

(12) **United States Design Patent**  
**Goodman et al.**

(10) **Patent No.:** **US D782,844 S**

(45) **Date of Patent:** **\*\* Apr. 4, 2017**

- (54) **SPONGE AND BRUSH CRADLE**
- (71) Applicant: **Spectrum Diversified Designs, Inc.**,  
Streetsboro, OH (US)
- (72) Inventors: **Sheldon H. Goodman**, Solon, OH  
(US); **Phaysouk Xayoiphonh**, Akron,  
OH (US)
- (73) Assignee: **Spectrum Diversified Designs, LLC**,  
Streetsboro, OH (US)
- (\*\*) Term: **14 Years**
- (21) Appl. No.: **29/507,693**
- (22) Filed: **Oct. 30, 2014**
- (51) **LOC (10) Cl.** ..... **06-04**
- (52) **U.S. Cl.**  
USPC ..... **D6/567**; D6/536
- (58) **Field of Classification Search**  
USPC ..... D6/524, 525, 536-537, 540, 566, 567,  
D6/320, 520; 211/13.1, 74, 71.01, 86.01,  
211/75, 88.01, 90.01, 90.03, 106, 119,  
211/126.1, 133.5, 181.1, 134, 87.01;  
D3/306; D32/55-56; D7/637;  
248/206.2, 206.3  
CPC .. B23P 17/04; A47K 1/09; A47K 1/08; A47K  
3/281; F16B 47/00  
See application file for complete search history.

- D532,236 S \* 11/2006 Dretzka ..... D6/567
- D534,024 S \* 12/2006 Dretzka ..... D6/567
- D563,136 S \* 3/2008 Kramer ..... D6/553
- D566,919 S \* 4/2008 Snell ..... D32/55
- D626,363 S \* 11/2010 Yang ..... D6/525
- D637,850 S \* 5/2011 Ghiorghie ..... D3/306
- D723,302 S \* 3/2015 Goodman ..... D6/566

**OTHER PUBLICATIONS**

Amazon.com, Spectrum Diversified 10950 Royo Sponge & Brush Holder, Oct. 24, 2015, [http://www.amazon.com/Spectrum-Diversified-10950-Sponge-Holder/dp/B0105KEET2/ref=sr\\_1\\_12?ie=UTF8&qid=1460480463&sr=8-12&keywords=Sponge+and+Brush+Cradle.\\*](http://www.amazon.com/Spectrum-Diversified-10950-Sponge-Holder/dp/B0105KEET2/ref=sr_1_12?ie=UTF8&qid=1460480463&sr=8-12&keywords=Sponge+and+Brush+Cradle.*)

\* cited by examiner

*Primary Examiner* — David Muller  
*Assistant Examiner* — Nathan Johnston  
(74) *Attorney, Agent, or Firm* — Benesch, Friedlander, Coplan & Aronoff

(57) **CLAIM**

What is claimed is the ornamental design for a sponge and brush cradle, as shown and described.

**DESCRIPTION**

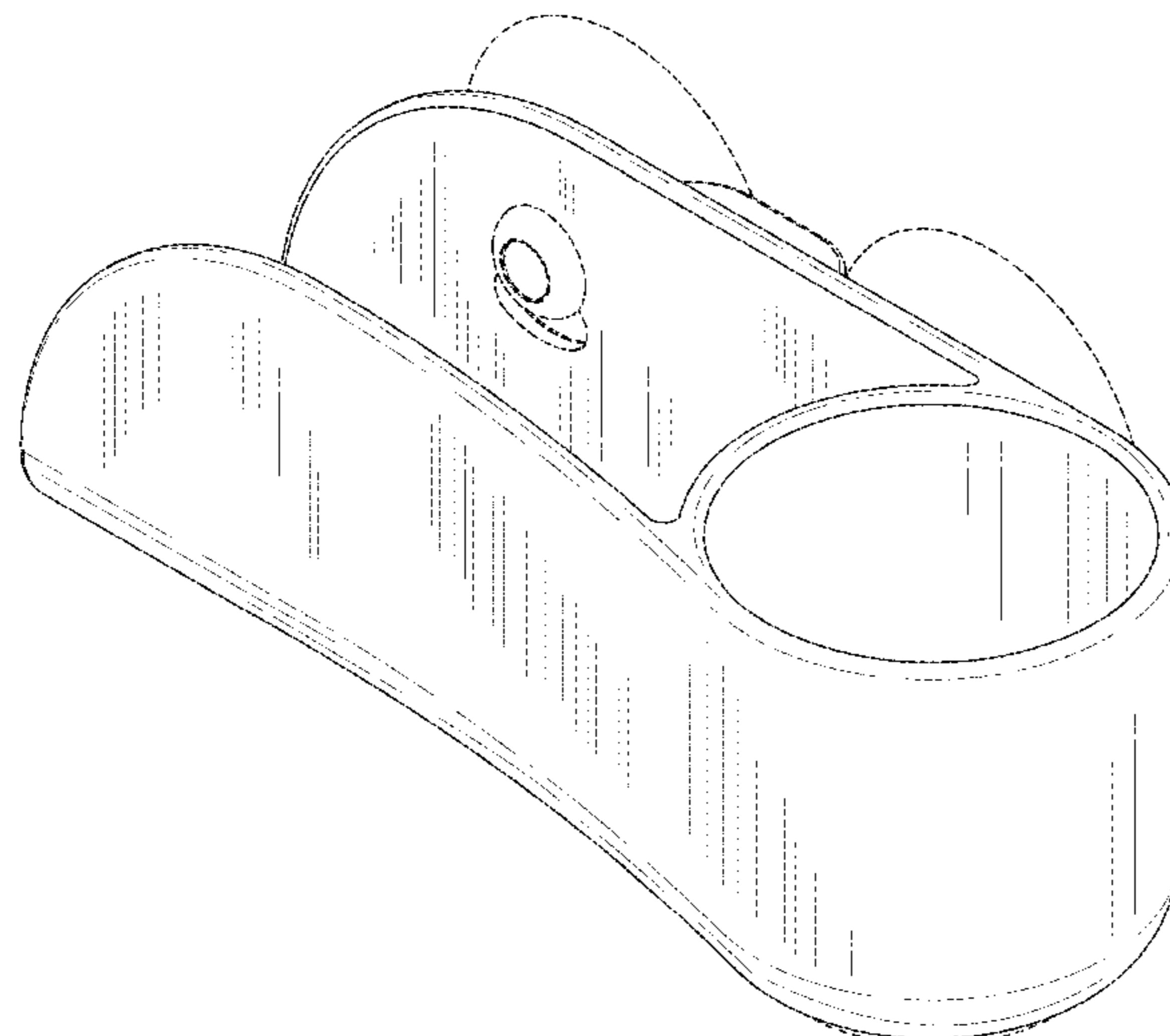
FIG. 1 is a perspective view of a sponge and brush cradle showing our new design;  
FIG. 2 is a front elevation view thereof;  
FIG. 3 is a rear elevation view thereof of the sponge and brush cradle of FIG. 1;  
FIG. 4 is a top plan view thereof;  
FIG. 5 is a bottom plan view thereof;  
FIG. 6 is a right side elevation view thereof; and,  
FIG. 7 is a left side elevation view thereof.  
The broken line showing of parts of the drawings is included for the purpose of illustrating portions of the sponge and brush cradle and form no part of the claimed design.

**1 Claim, 4 Drawing Sheets**

(56) **References Cited**

**U.S. PATENT DOCUMENTS**

- D131,229 S \* 1/1942 Allen ..... D6/566
- 2,678,735 A \* 5/1954 Crcedon ..... F25D 25/00  
211/151
- 2,936,146 A \* 5/1960 Wunder ..... A47D 7/04  
108/152
- 5,039,046 A \* 8/1991 Brewster ..... A47F 7/28  
248/105
- D483,587 S \* 12/2003 Snell ..... D6/525
- D512,255 S \* 12/2005 Snell ..... D6/567



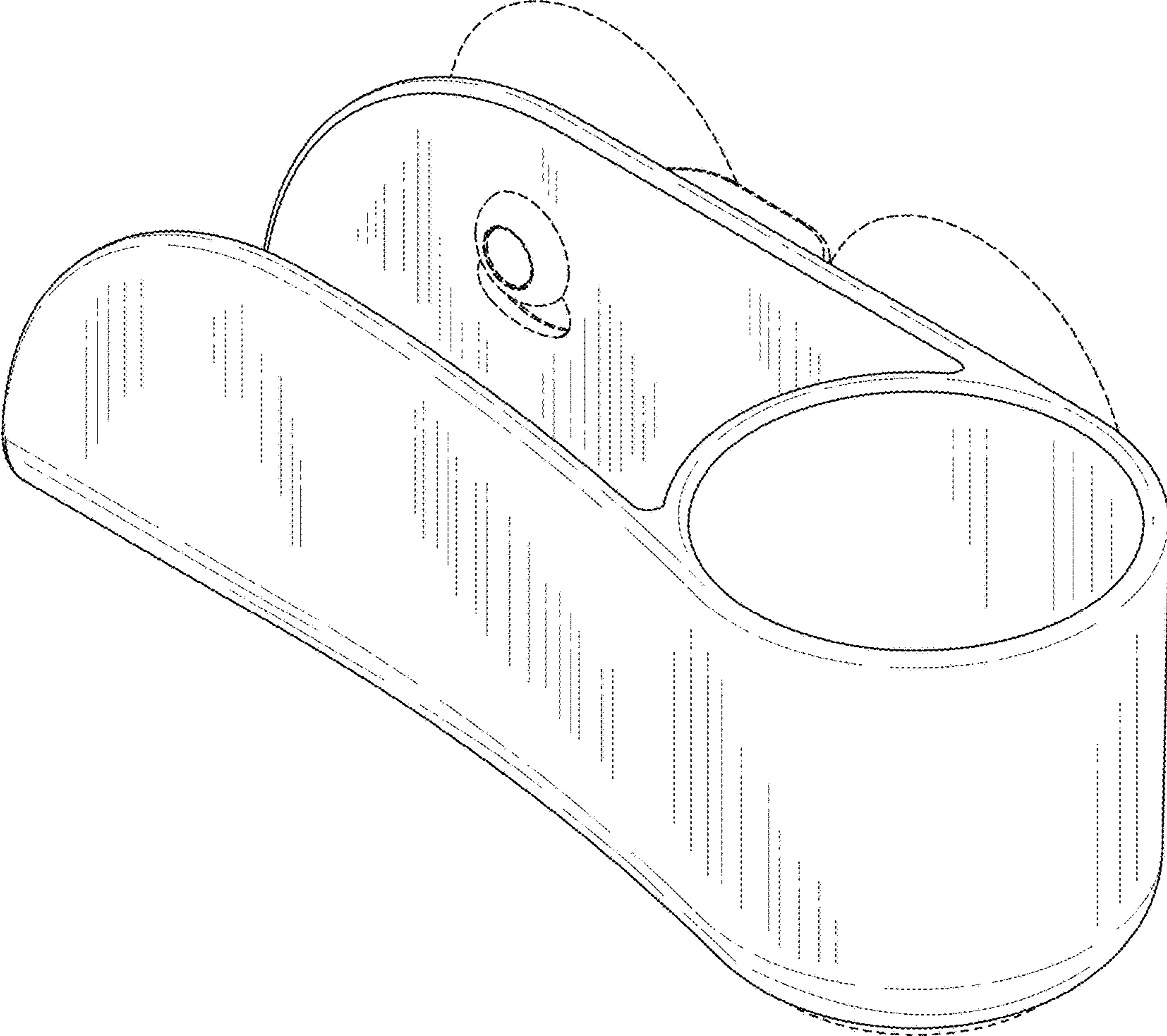


FIG. 1

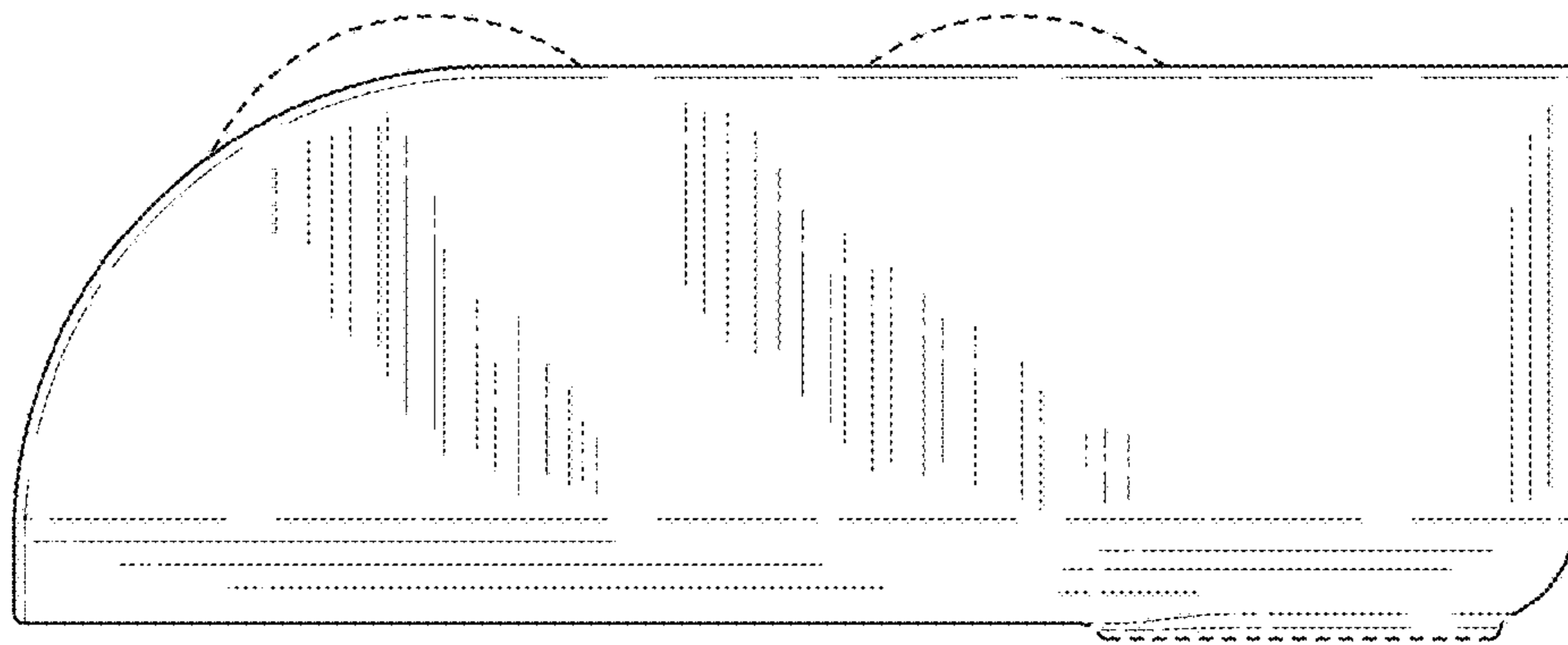


FIG. 2

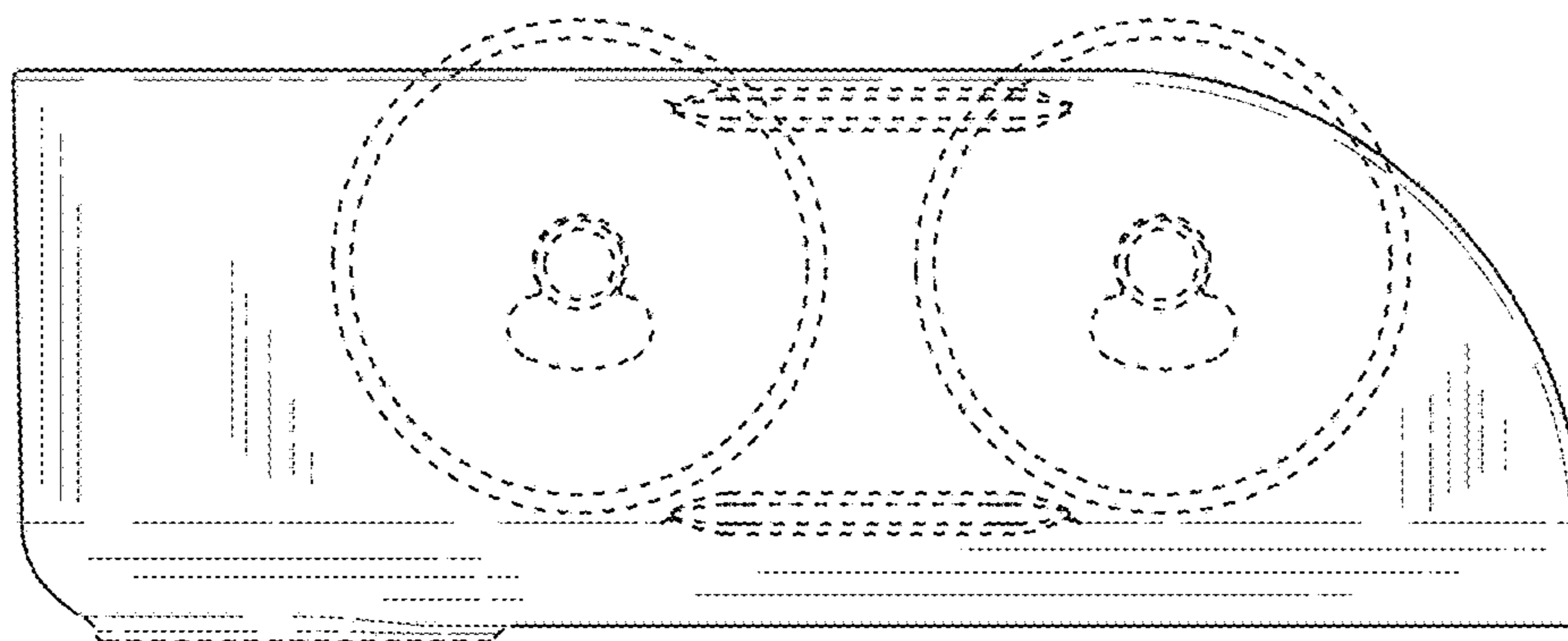


FIG. 3

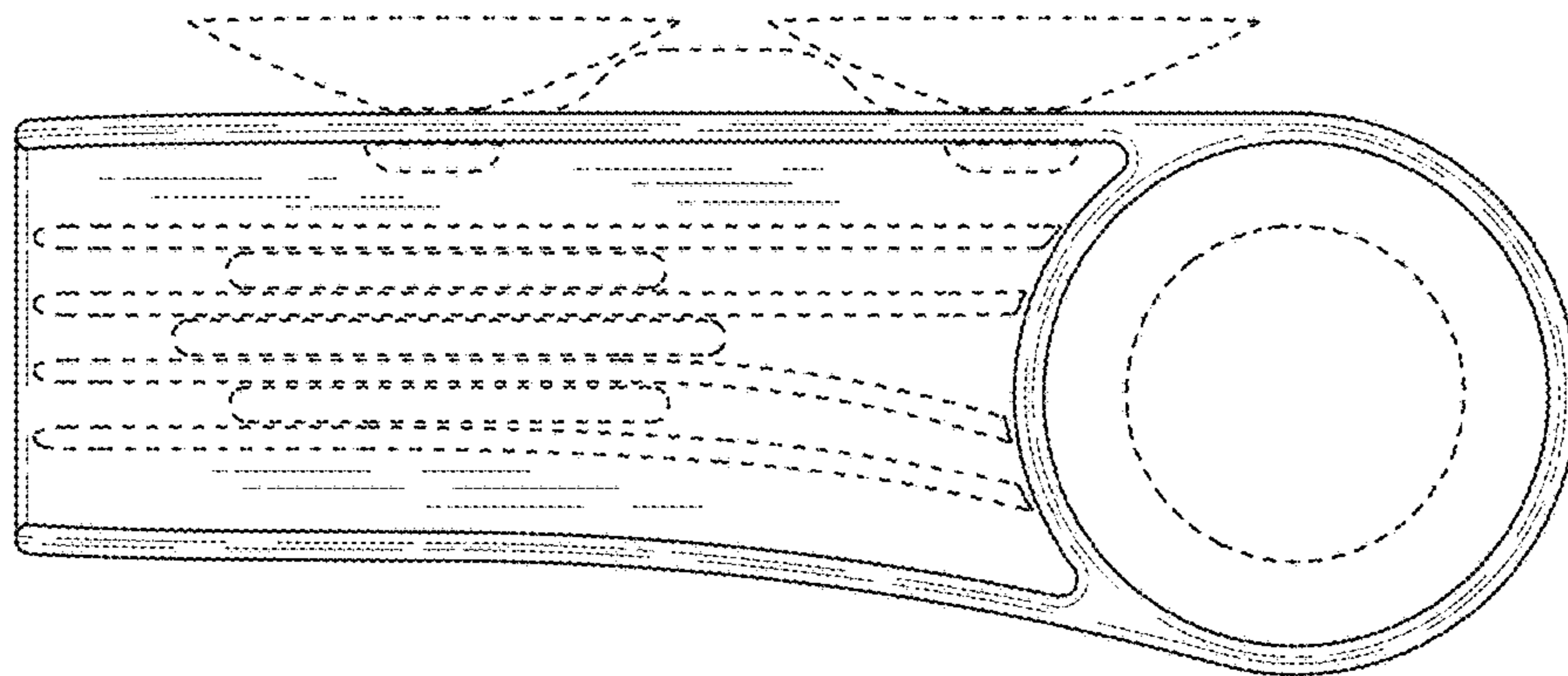


FIG. 4

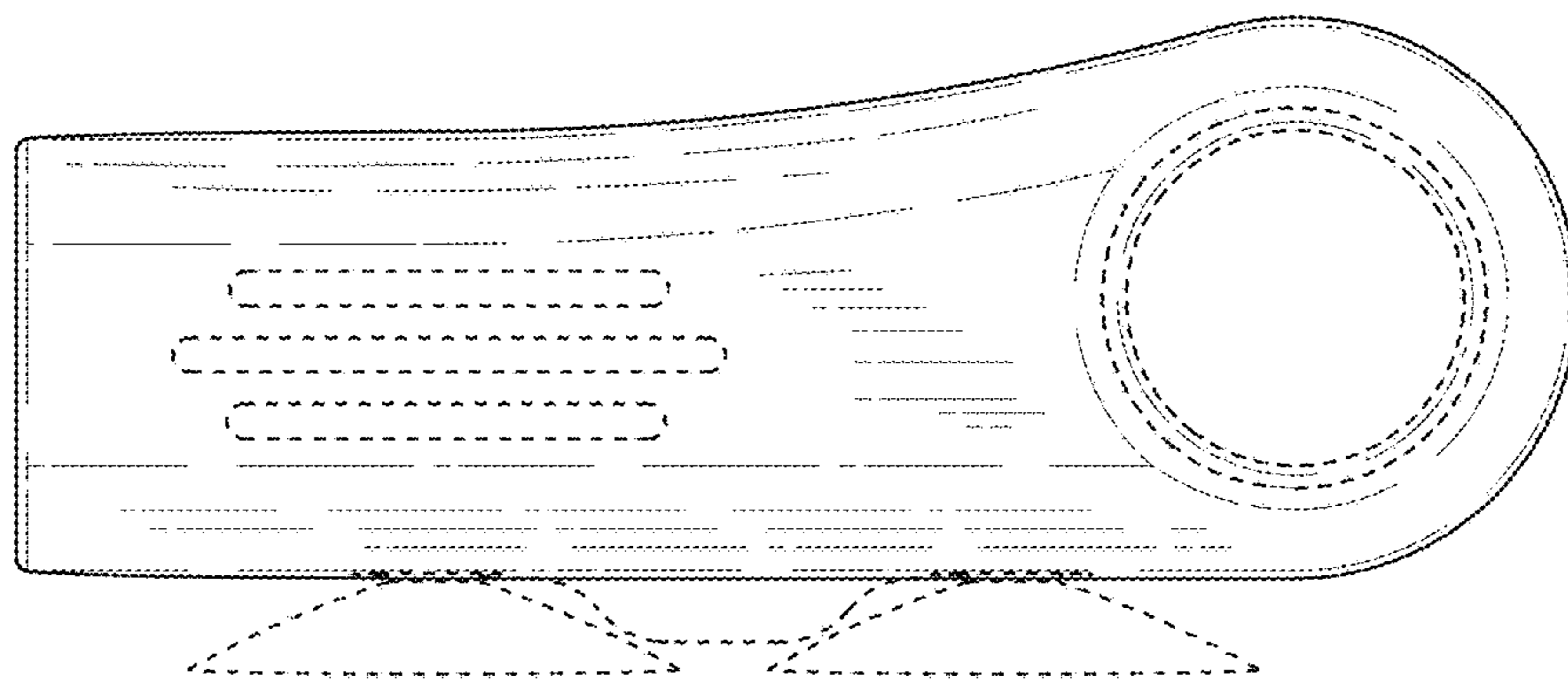


FIG. 5

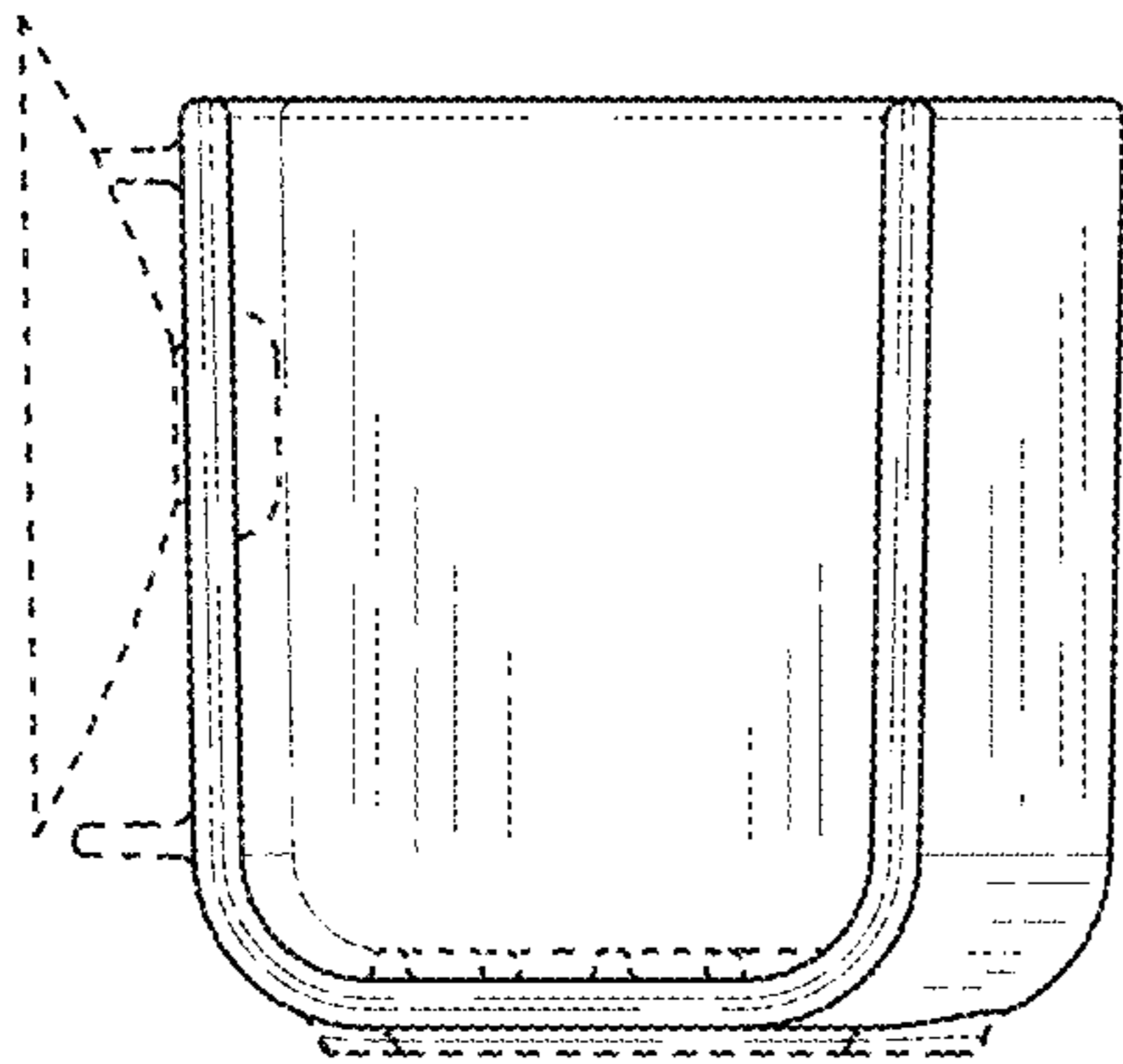


FIG. 6

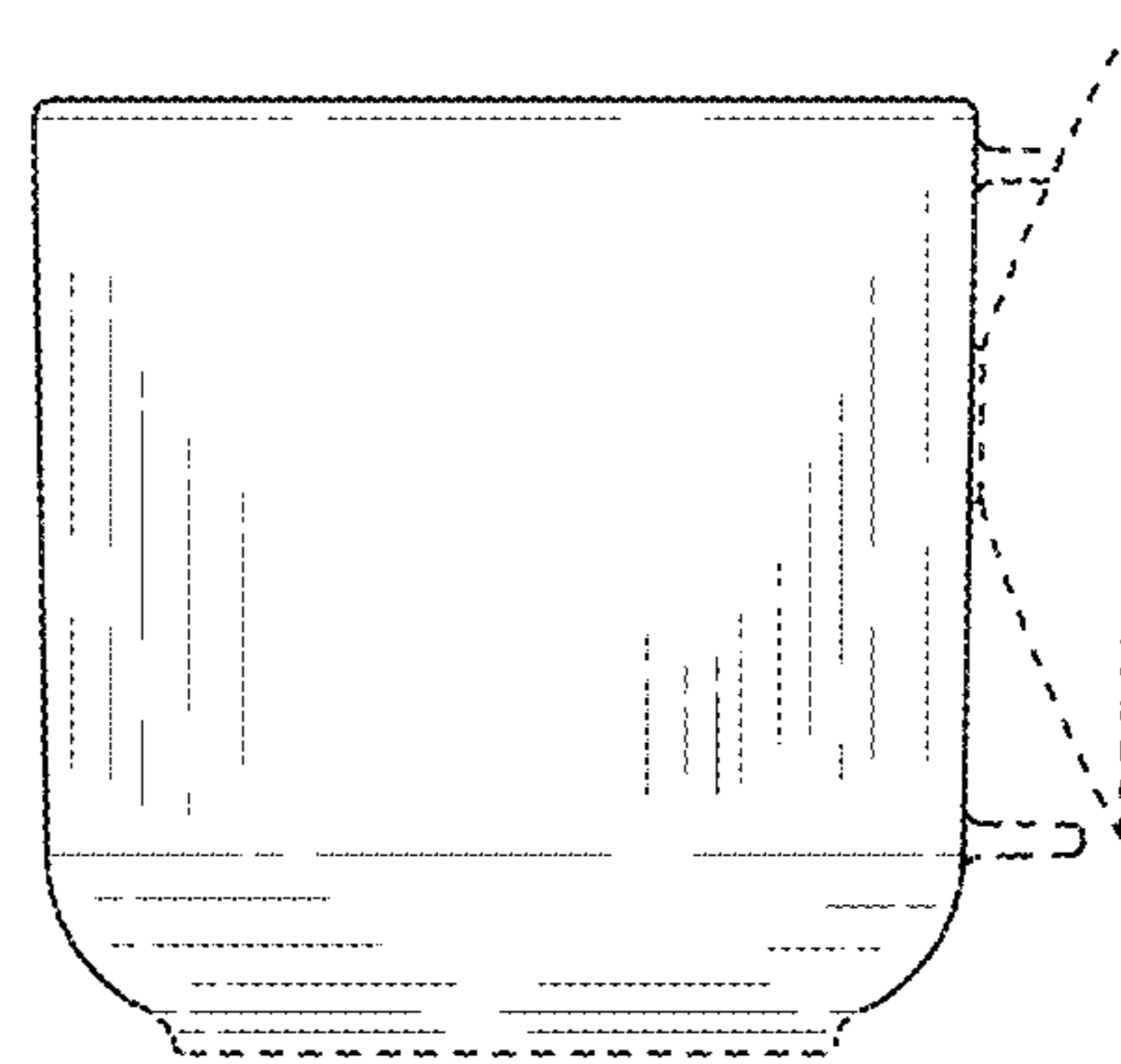


FIG. 7