



US00D782843S

(12) **United States Design Patent**
Thompson

(10) **Patent No.:** **US D782,843 S**

(45) **Date of Patent:** **** Apr. 4, 2017**

(54) **TELESCOPING TOILET TISSUE DISPENSER**

(71) Applicant: **James R. Thompson**, Spokane, WA
(US)

(72) Inventor: **James R. Thompson**, Spokane, WA
(US)

(**) Term: **15 Years**

(21) Appl. No.: **29/549,632**

(22) Filed: **Dec. 28, 2015**

Related U.S. Application Data

(63) Continuation of application No. 13/315,988, filed on Dec. 9, 2011, now Pat. No. 8,526,886.

(51) **LOC (10) Cl.** **23-02**

(52) **U.S. Cl.**
USPC **D6/523**

(58) **Field of Classification Search**
USPC D6/518-524, 546-550; 211/13.1, 16, 211/60.1, 86.01, 87.01, 88.01, 88.04, 100, 211/105.1, 105.2, 123, 124, 181.1, 182; 206/389; 108/28-29; 16/110.1, 415; 242/520, 555, 570, 590, 595-598; D8/303, 315-321; 248/175, 176.1, 251, 248/302, 309.1
CPC A47K 10/38; A47K 10/24; B65H 16/02; B65H 16/06

See application file for complete search history.

(56) **References Cited**

U.S. PATENT DOCUMENTS

4,097,002 A * 6/1978 Krueger A47K 10/40
242/160.1
4,553,710 A * 11/1985 Pool A47K 10/40
242/596.4

5,255,861 A * 10/1993 Lerner A47K 10/40
242/160.2
5,662,288 A * 9/1997 Chiang A47K 10/38
242/596
5,868,345 A 2/1999 Beisser
5,871,170 A 2/1999 Morales et al.
6,405,971 B1 6/2002 Trecartin
6,527,219 B1 3/2003 Trecartin
7,306,185 B1 12/2007 Miller
D570,632 S * 6/2008 Molkenthin D6/525
D632,511 S * 2/2011 Sallack D6/519
D744,312 S * 12/2015 Waggoner D8/316
2005/0160854 A1 * 7/2005 Rotter F25D 25/025
74/422
2007/0018548 A1 * 1/2007 Ertz A47B 88/02
312/402

(Continued)

Primary Examiner — David Muller

Assistant Examiner — Nathan Johnston

(74) *Attorney, Agent, or Firm* — Robert C. Montgomery;
Montgomery Patent Design, LP.

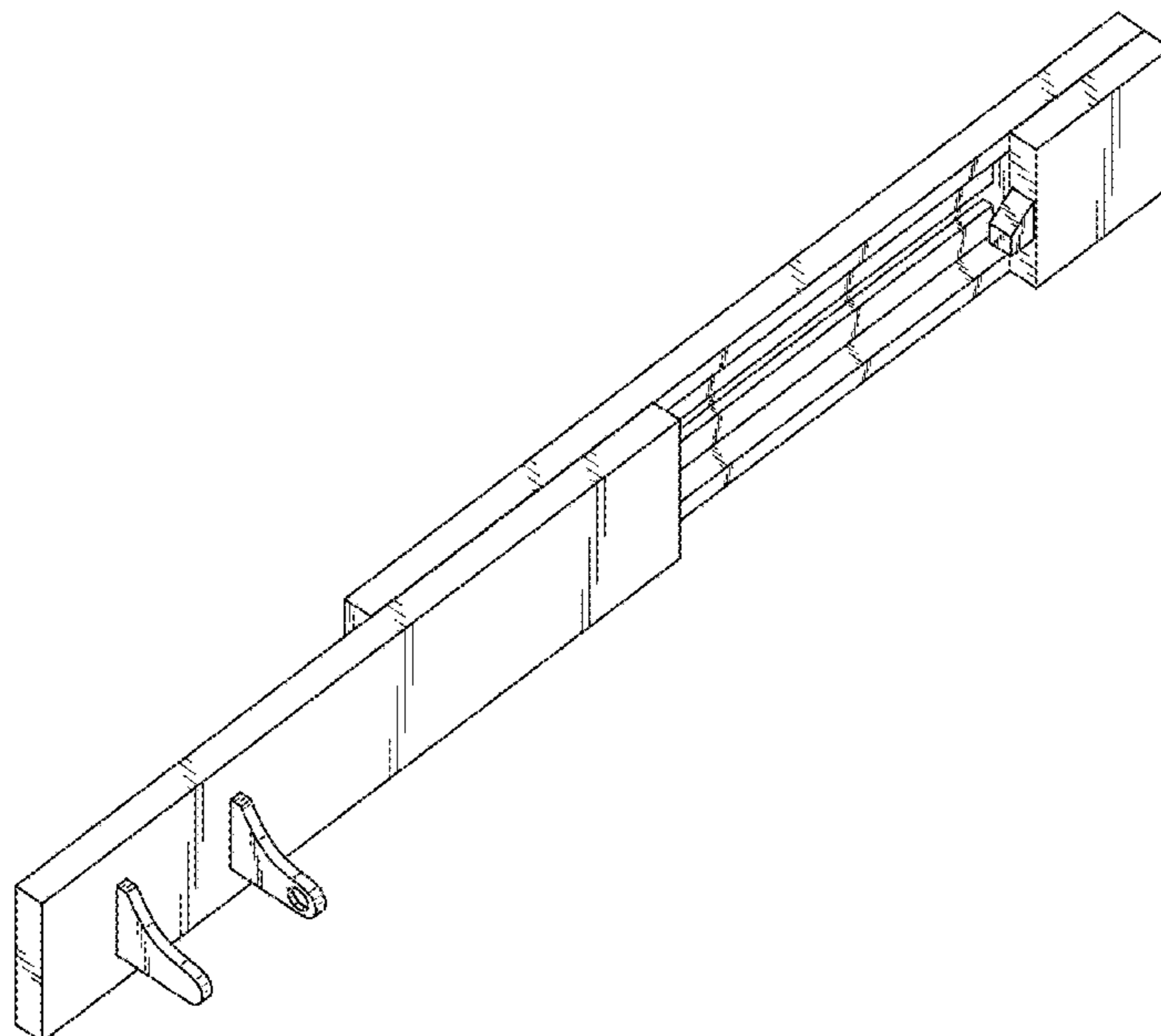
(57) **CLAIM**

The ornamental design for a telescoping toilet tissue dispenser, as shown and described.

DESCRIPTION

FIG. 1 is a front side perspective view of a telescoping toilet tissue dispenser, showing my new design;
FIG. 2 is a front side perspective view of a telescoping toilet tissue dispenser in a closed state;
FIG. 3 is a front elevation view thereof;
FIG. 4 is a rear elevation view thereof;
FIG. 5 is a left side elevation view thereof with the right side elevation view being a mirror image; and,
FIG. 6 is a top plan view thereof with the bottom side plan view being a mirror image.

1 Claim, 6 Drawing Sheets



(56)

References Cited

U.S. PATENT DOCUMENTS

2007/0131818 A1* 6/2007 Ko A47K 10/40
242/596.4
2008/0143225 A1* 6/2008 Stock A47B 88/12
312/334.7
2015/0216375 A1* 8/2015 Okazaki A47K 10/40
242/596.4
2015/0342346 A1* 12/2015 Lachman A47B 88/0418
312/333

* cited by examiner

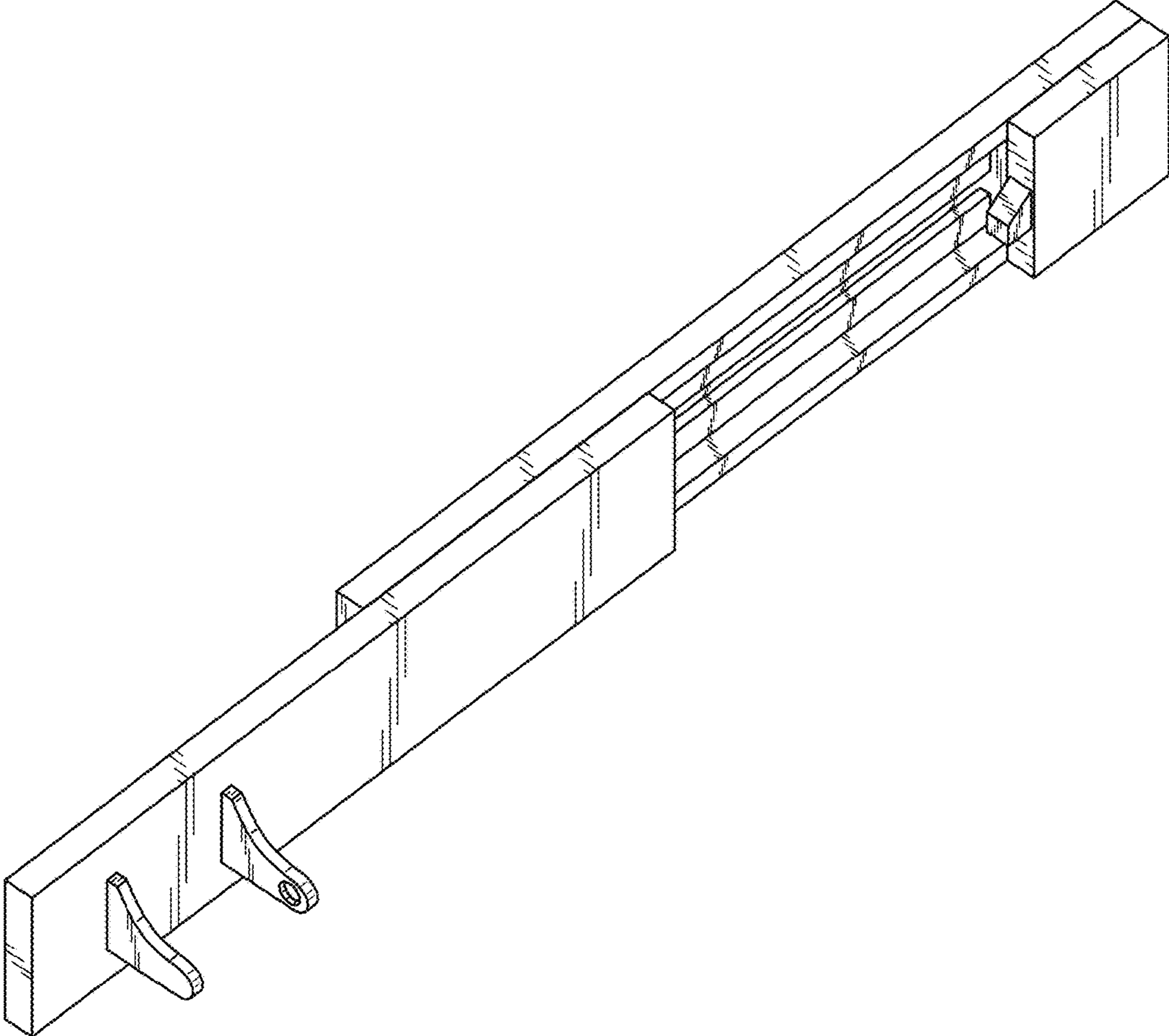


FIG. 1

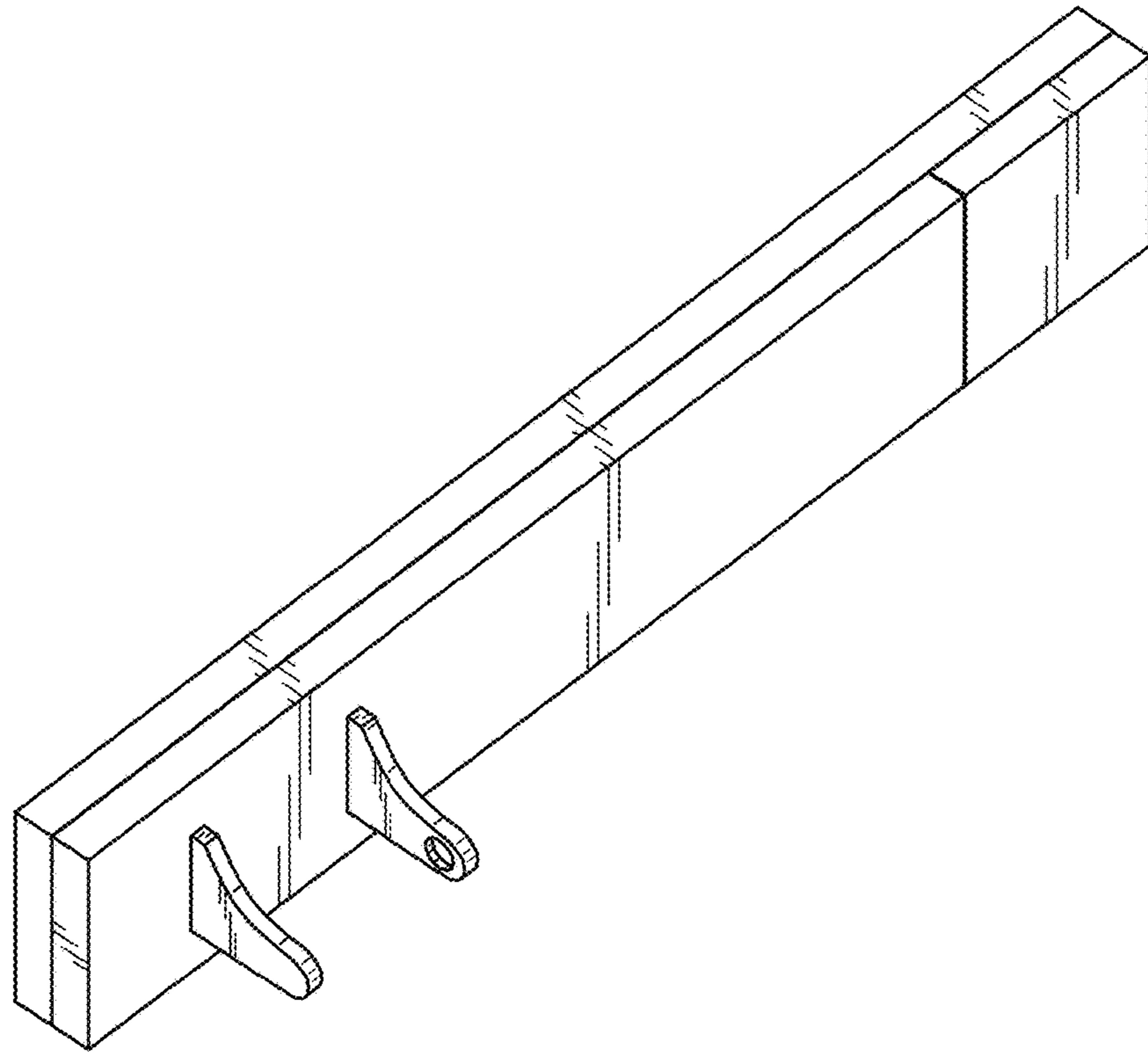


FIG. 2



FIG. 3

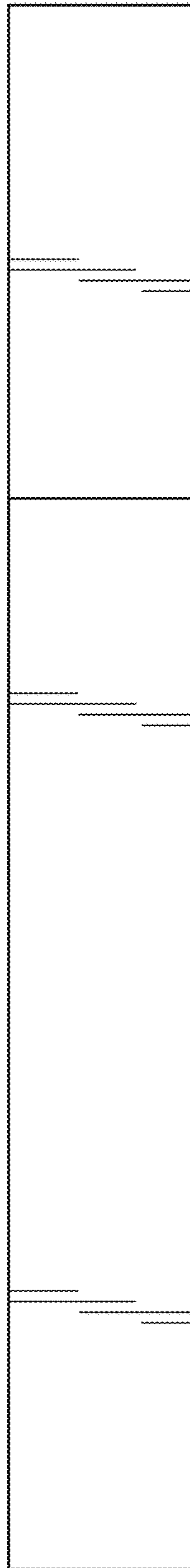


FIG. 4

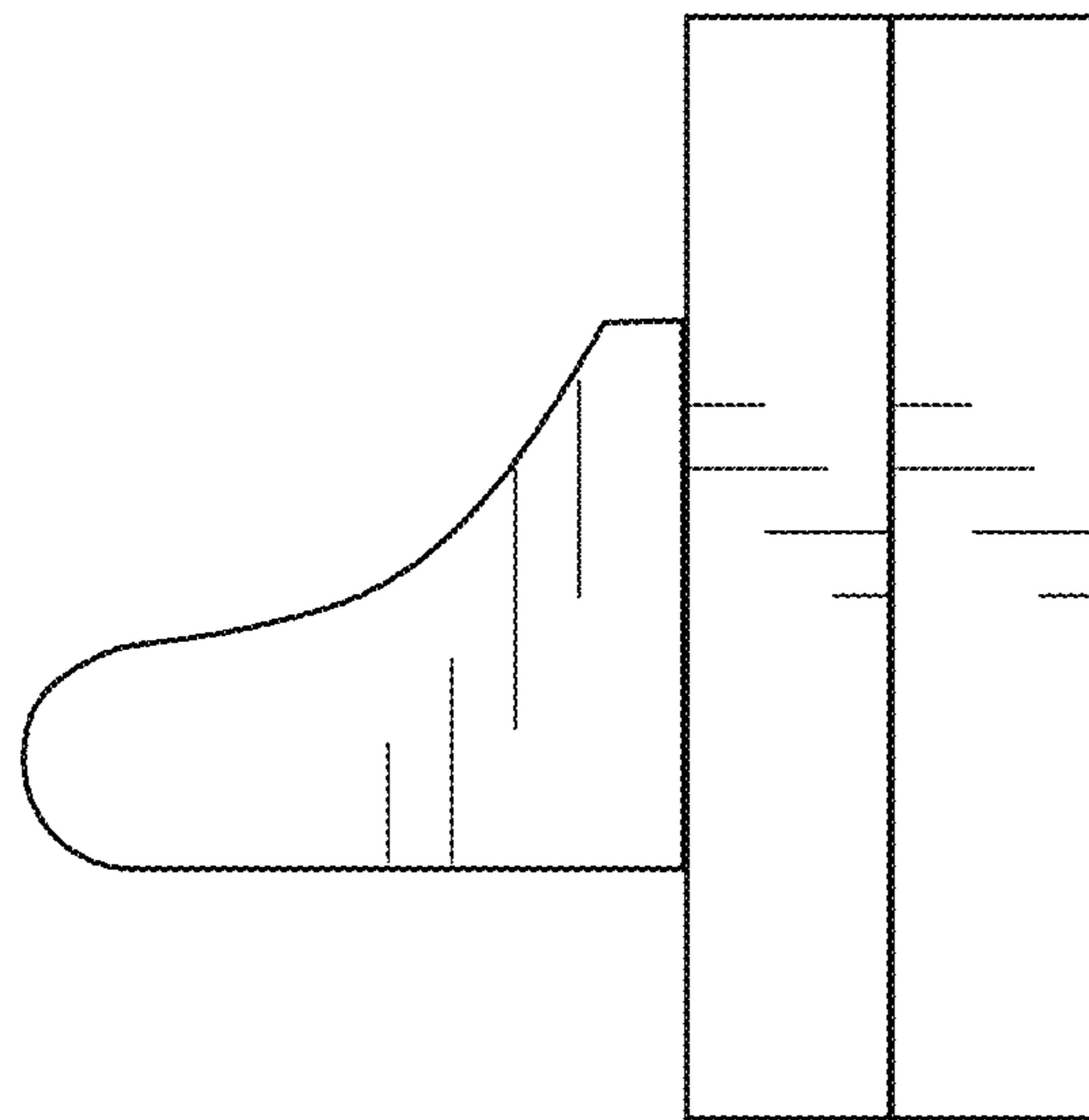


FIG. 5

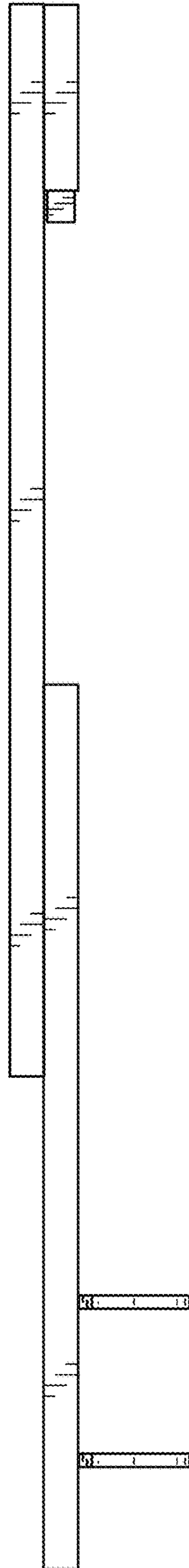


FIG. 6