



US00D782842S

(12) **United States Design Patent**  
**Morand et al.**

(10) **Patent No.:** **US D782,842 S**  
(45) **Date of Patent:** **\*\* Apr. 4, 2017**

- (54) **TISSUE DISPENSER**
- (71) Applicant: **CASCADES CANADA ULC**,  
Montreal (CA)
- (72) Inventors: **Michel Morand**, Verdun (CA); **Hugo Moerman Rousseau**,  
Saint-Jean-sur-Richelieu (CA)
- (73) Assignee: **CASCADES CANADA ULC**,  
Montreal (CA)
- (\*\*) Term: **15 Years**
- (21) Appl. No.: **29/561,831**
- (22) Filed: **Apr. 20, 2016**
- (51) **LOC (10) Cl.** ..... **20-02**
- (52) **U.S. Cl.**  
USPC ..... **D6/520; D6/523**
- (58) **Field of Classification Search**  
USPC ..... D6/515, 518-523; D3/201; 206/389,  
206/391, 407, 409; 312/34.1, 34.8;  
211/16, 85.5, 59.2; 221/92, 97, 185, 282,  
221/284; 242/159, 160.2, 550, 560, 590,  
242/594, 59, 588, 598, 598.3, 598.65  
CPC ..... A47K 10/3836; A47K 2010/3253; A47K  
2010/3206  
See application file for complete search history.

(56) **References Cited**

**U.S. PATENT DOCUMENTS**

D307,845 S *	5/1990	Omdoll	.....	D6/520
D335,410 S *	5/1993	Abel	.....	D6/520
5,265,816 A *	11/1993	Collins	.....	A47K 10/3836 242/560
D351,520 S *	10/1994	Frazier	.....	D6/523
D356,707 S	3/1995	Morand		
D357,150 S	4/1995	Morand		

5,645,244 A *	7/1997	Moody	.....	A47K 10/3809 242/422.5
6,364,245 B1 *	4/2002	Paal	.....	A47K 10/3836 225/38
D605,444 S *	12/2009	Marietta-Tondin	.....	D6/523
D654,740 S *	2/2012	Cheng	.....	D6/520
D727,058 S	4/2015	Morand		
2007/0290094 A1 *	12/2007	Anderson	.....	A47K 10/3836 242/594
2010/0206979 A1 *	8/2010	Collins	.....	A47K 10/3687 242/560
2012/0248136 A1 *	10/2012	Meyers	.....	A61L 2/22 221/96
2014/0103133 A1 *	4/2014	Muderlak	.....	A47K 10/34 239/6
2015/0076277 A1 *	3/2015	Elliott	.....	A47K 10/3836 242/560

\* cited by examiner

*Primary Examiner* — David Muller

*Assistant Examiner* — Nathan Johnston

(74) *Attorney, Agent, or Firm* — Marshall, Gerstein & Borun LLP

(57) **CLAIM**

The ornamental design for a tissue dispenser, as shown and described.

**DESCRIPTION**

FIG. 1 is a perspective view of a tissue dispenser showing our new design;  
 FIG. 2 is a front elevation view thereof;  
 FIG. 3 is a right-side elevation view thereof, the left-side elevation view being a mirror image;  
 FIG. 4 is a top plan view thereof; and,  
 FIG. 5 is a bottom plan view thereof.  
 The portions shown in broken lines do not form part of the claimed design.

**1 Claim, 5 Drawing Sheets**

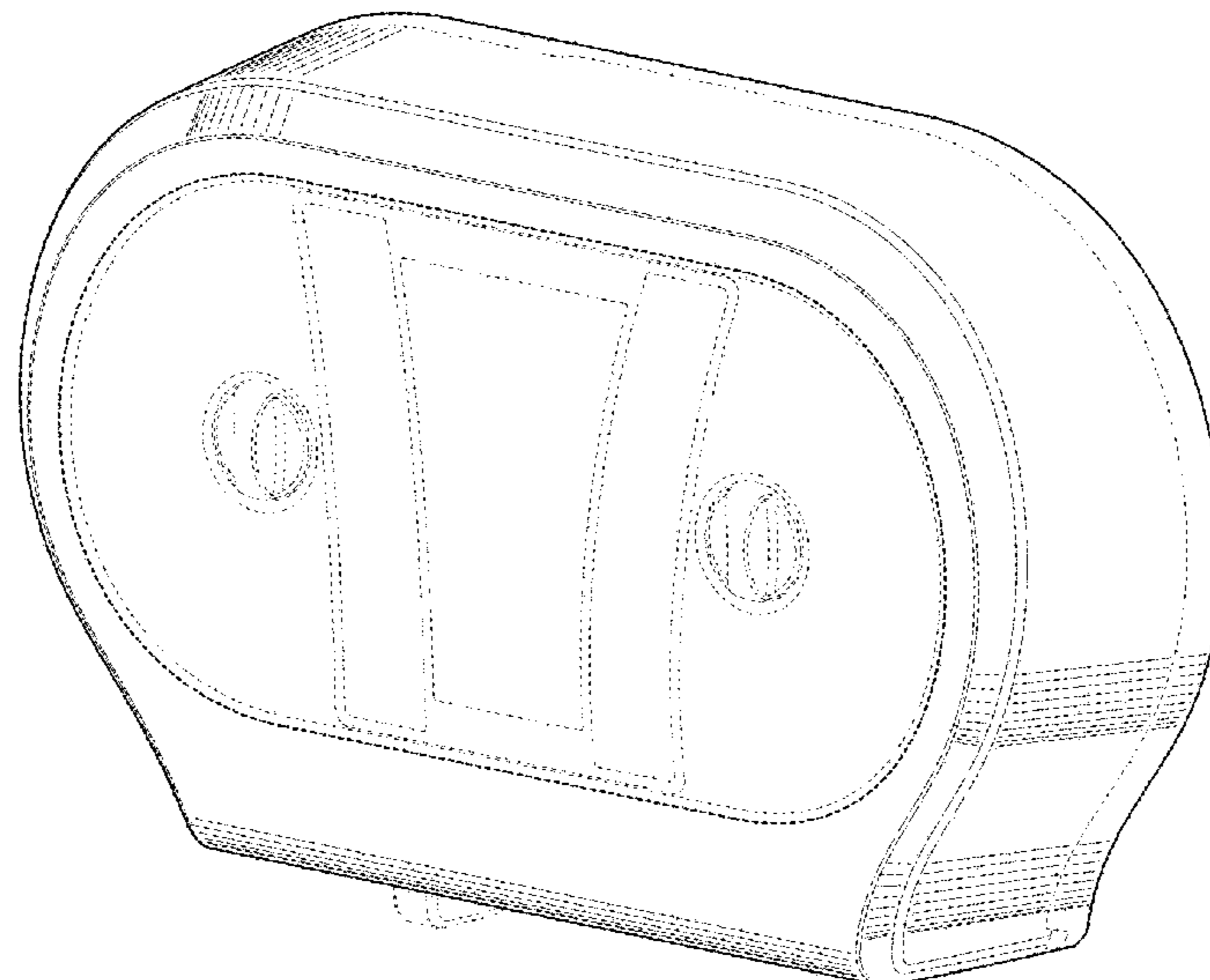




FIG. 1

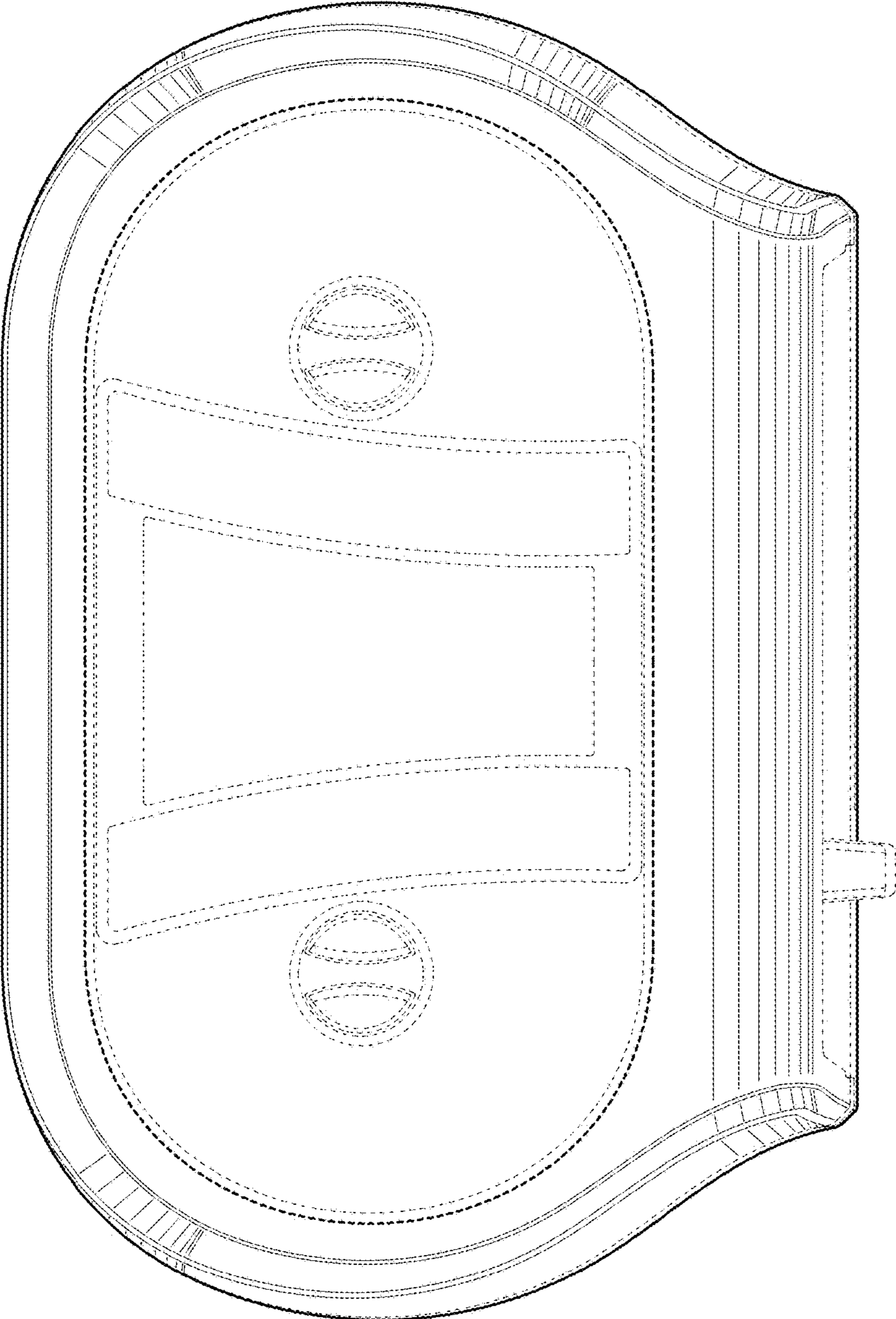


FIG. 2

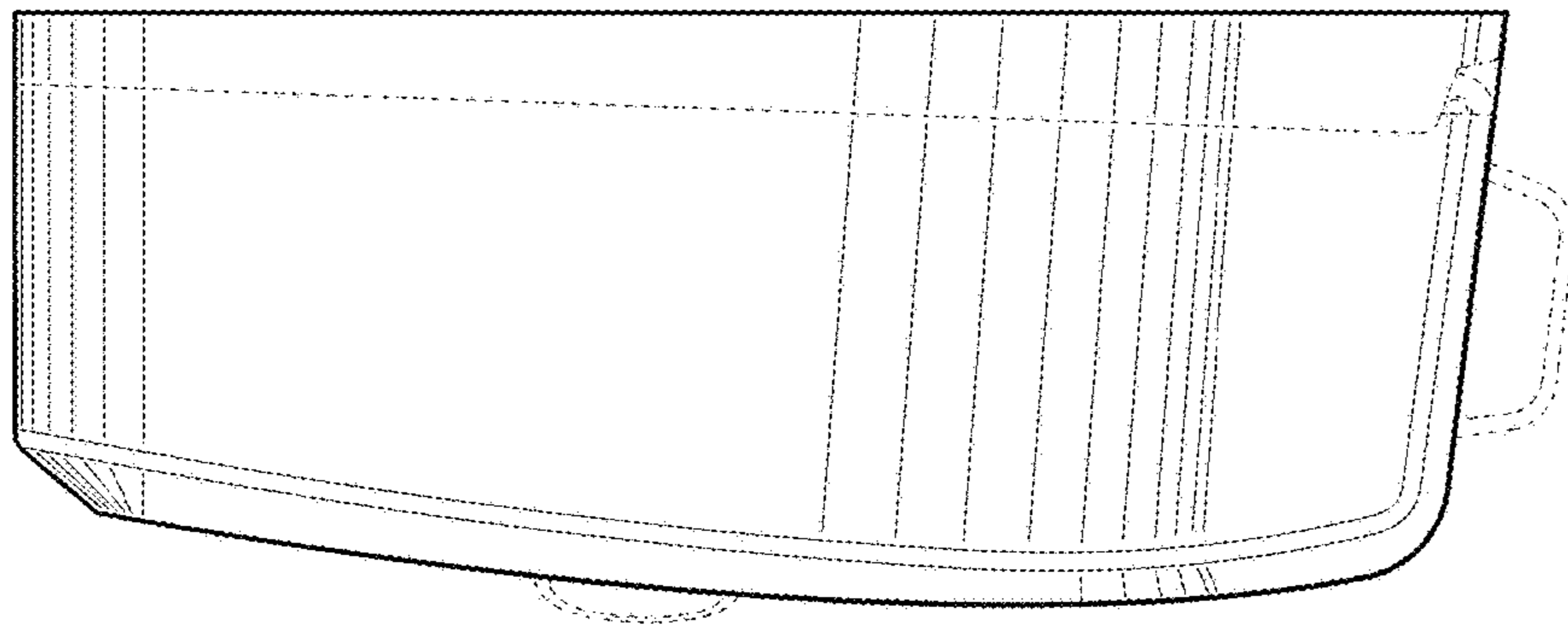


FIG. 3



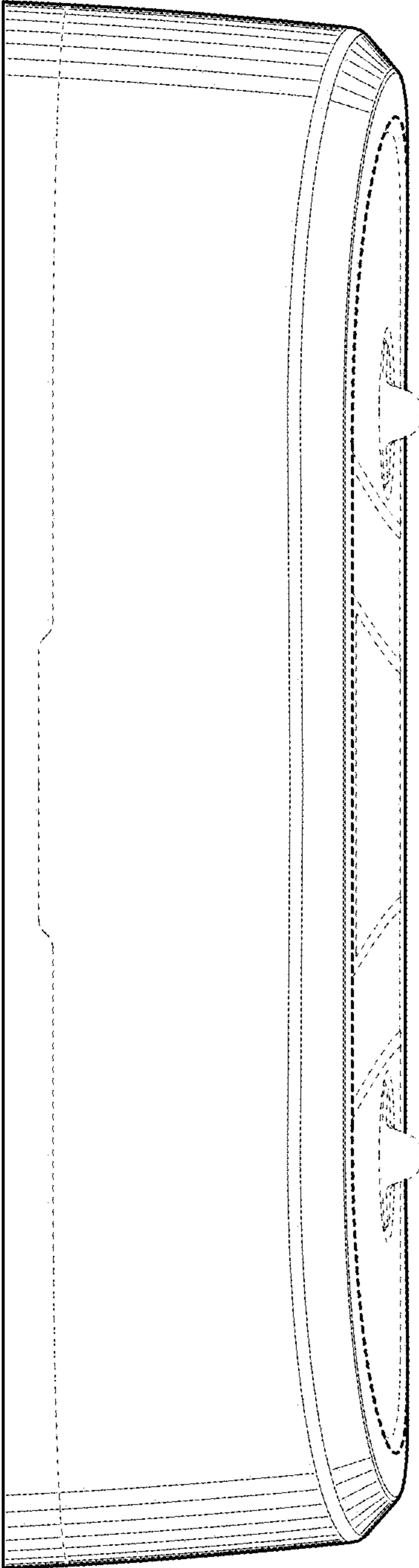


FIG. 4

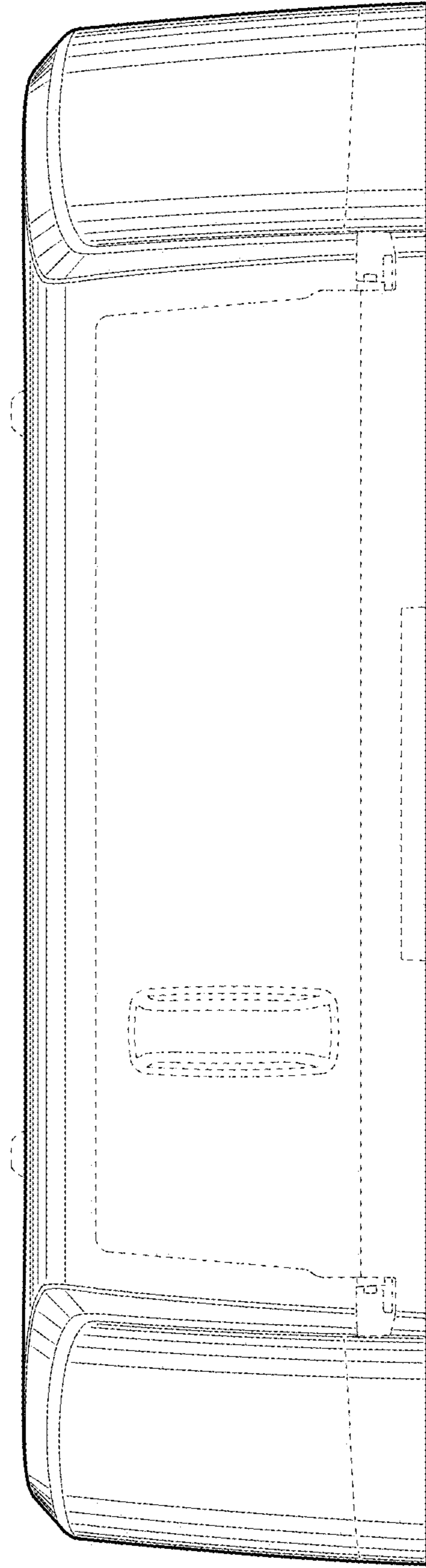


FIG. 5