



US00D782839S

(12) **United States Design Patent**
Fukasawa

(10) **Patent No.:** **US D782,839 S**

(45) **Date of Patent:** **** *Apr. 4, 2017**

(54) **CHAIR**

(71) Applicant: **B&B ITALIA S.p.A.**, Milan (IT)

(72) Inventor: **Naoto Fukasawa**, Tokyo (JP)

(73) Assignee: **B&B ITALIA S.p.A.**, Milan (IT)

(*) Notice: This patent is subject to a terminal disclaimer.

(**) Term: **15 Years**

(21) Appl. No.: **29/542,018**

(22) Filed: **Oct. 9, 2015**

(30) **Foreign Application Priority Data**

Apr. 10, 2015 (IT) MI2015O0062

(51) **LOC (10) Cl.** **06-01**

(52) **U.S. Cl.**
USPC **D6/366**

(58) **Field of Classification Search**
USPC D6/364-368, 374-375, 716; 297/448.1,
297/452.24, 452.26, 452.28, 452.32-33,
297/452.37

CPC A47C 7/02; A47C 7/44; A47C 7/46; A47C
7/48; A47C 7/54; A47C 7/386; A47C
7/462; A47C 1/10; A47C 1/031; B60N
2/02; B60N 2/22; B60N 2/44

See application file for complete search history.

(56) **References Cited**

U.S. PATENT DOCUMENTS

D197,643 S *	3/1964	Kramer	D6/366
D220,388 S *	4/1971	Kramer	D6/366
D255,183 S *	6/1980	Locher	D6/366
D346,909 S *	5/1994	Obata	D6/366
D503,047 S *	3/2005	Ryan	D6/365
D514,339 S *	2/2006	Glass	D6/366

D554,382 S *	11/2007	Nobles	D6/366
D554,386 S *	11/2007	Nobles	D6/366
D678,690 S *	3/2013	Eldoy	D6/366
D686,857 S *	7/2013	Fletcher	D6/716
D697,746 S *	1/2014	Kubryk	D6/716
D705,587 S *	5/2014	Caruso	D6/716
D731,222 S *	6/2015	Bosman	D6/716
D742,673 S *	11/2015	Dorigo	D6/375
2002/0047298 A1 *	4/2002	Brauning	A47C 3/04 297/448.1

OTHER PUBLICATIONS

Herman Miller [online] Retrieved on Jul. 1, 2016 from URL
[http://www.hermanmiller.com/content/hermanmiller/northamerica/en_us/home/design-resources/images.html?text=HermanMiller:Products/Setu Chair.*](http://www.hermanmiller.com/content/hermanmiller/northamerica/en_us/home/design-resources/images.html?text=HermanMiller:Products/Setu%20Chair)

* cited by examiner

Primary Examiner — Manpreet Matharu

Assistant Examiner — Keith Wilson

(74) *Attorney, Agent, or Firm* — Thomas | Horstemeyer, LLP

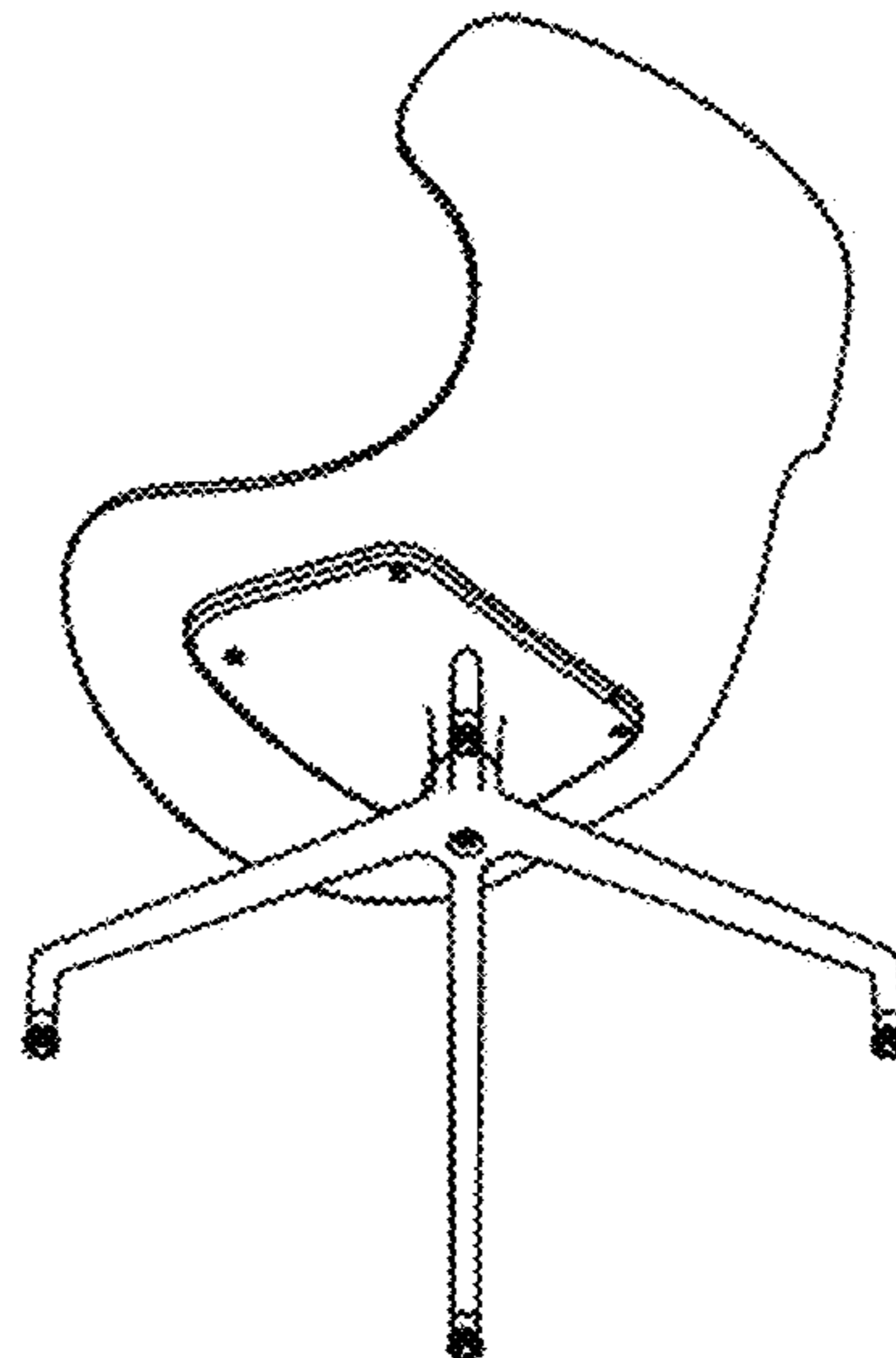
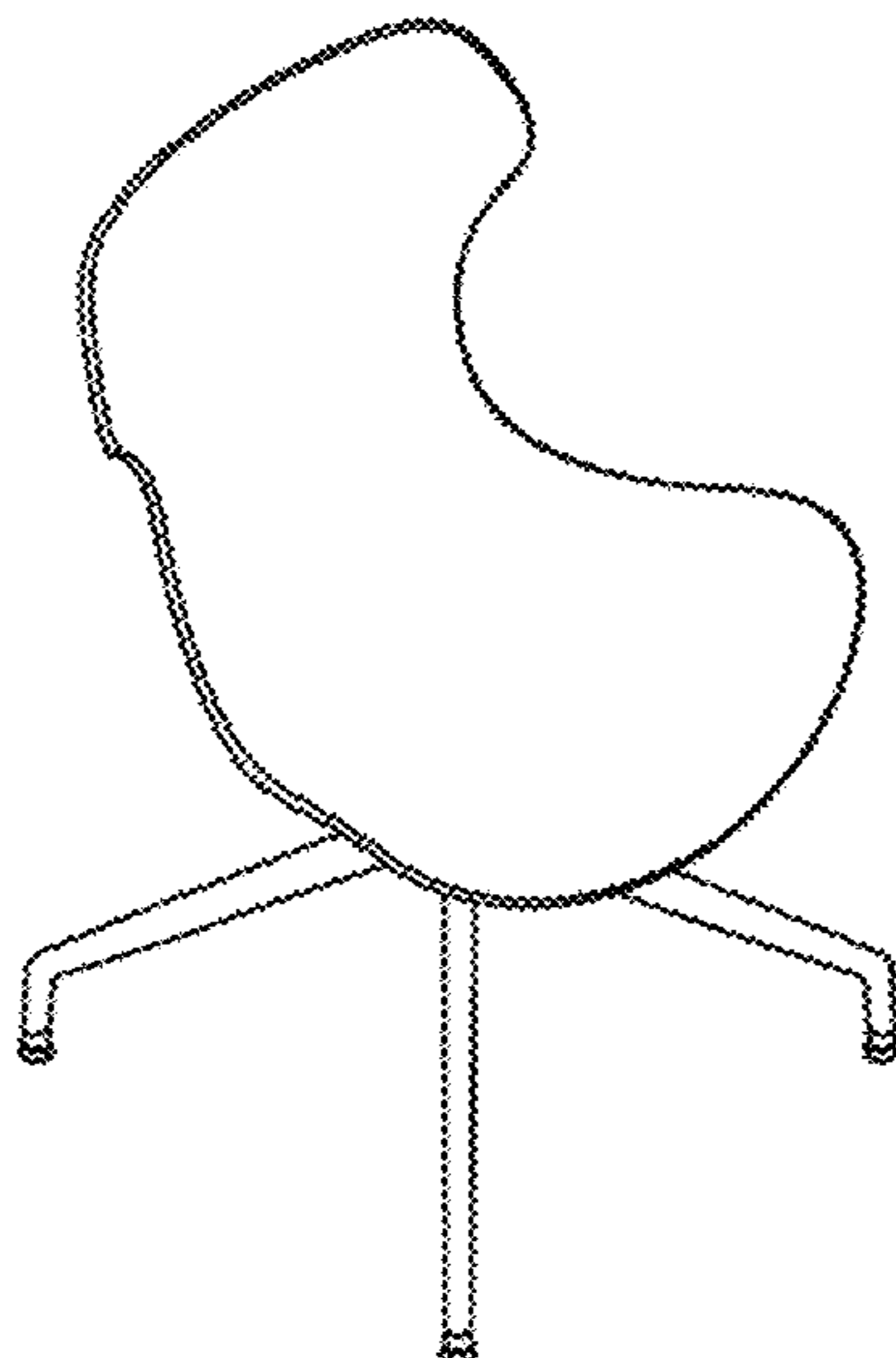
(57) **CLAIM**

The ornamental design for the chair, as shown and described.

DESCRIPTION

FIG. 1 is a front perspective view showing a chair;
FIG. 2 is a rear perspective view of the chair of FIG. 1;
FIG. 3 is a front view of the chair of FIG. 1;
FIG. 4 is a rear view of the chair of FIG. 1;
FIG. 5 is a side view of the chair of FIG. 1;
FIG. 6 is a side view of the chair of FIG. 1 from a side opposite that of FIG. 5;
FIG. 7 is a top plan view of the chair of FIG. 1; and,
FIG. 8 is a bottom plan view of the chair of FIG. 1.

1 Claim, 8 Drawing Sheets



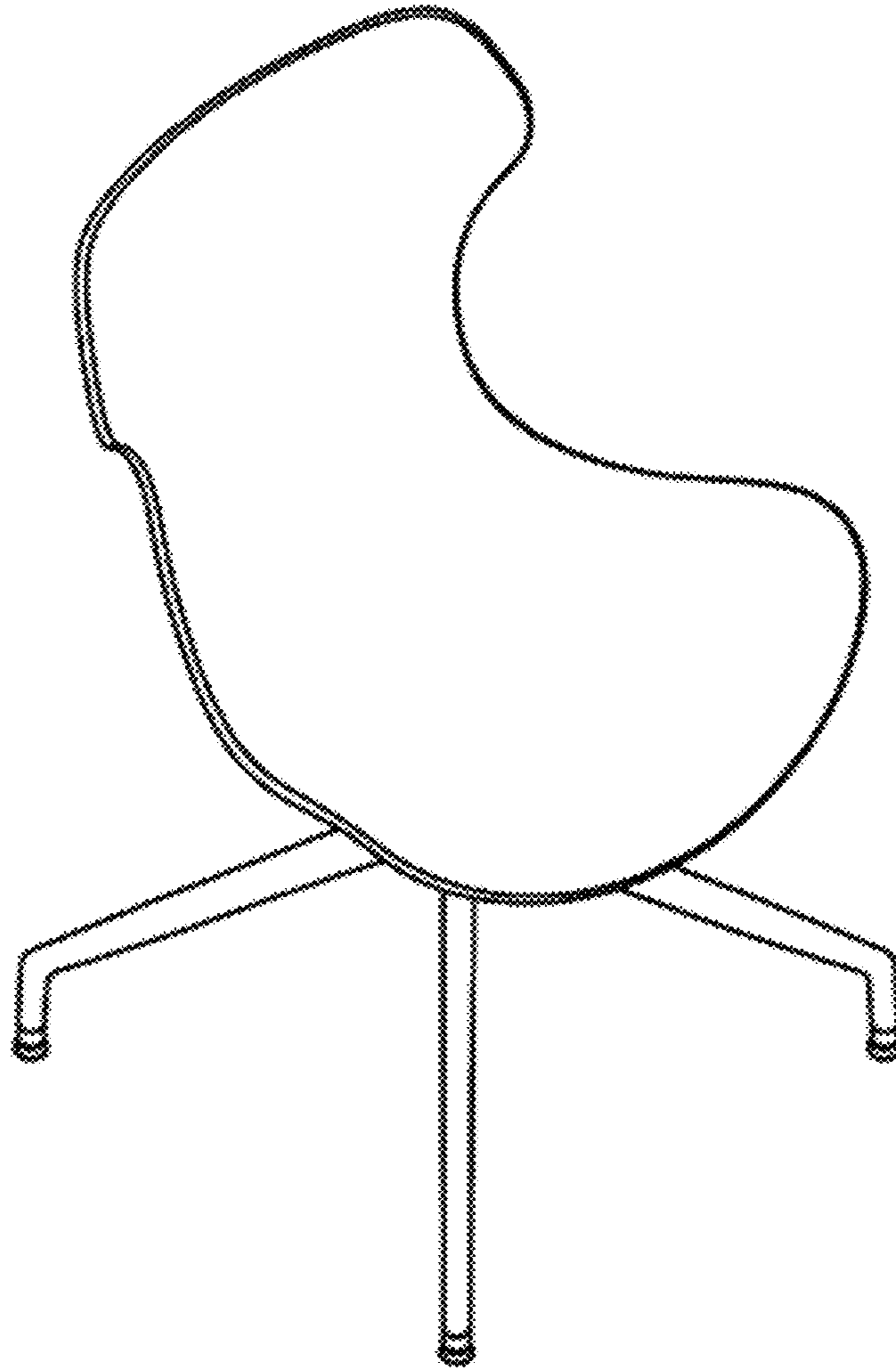


FIG. 1

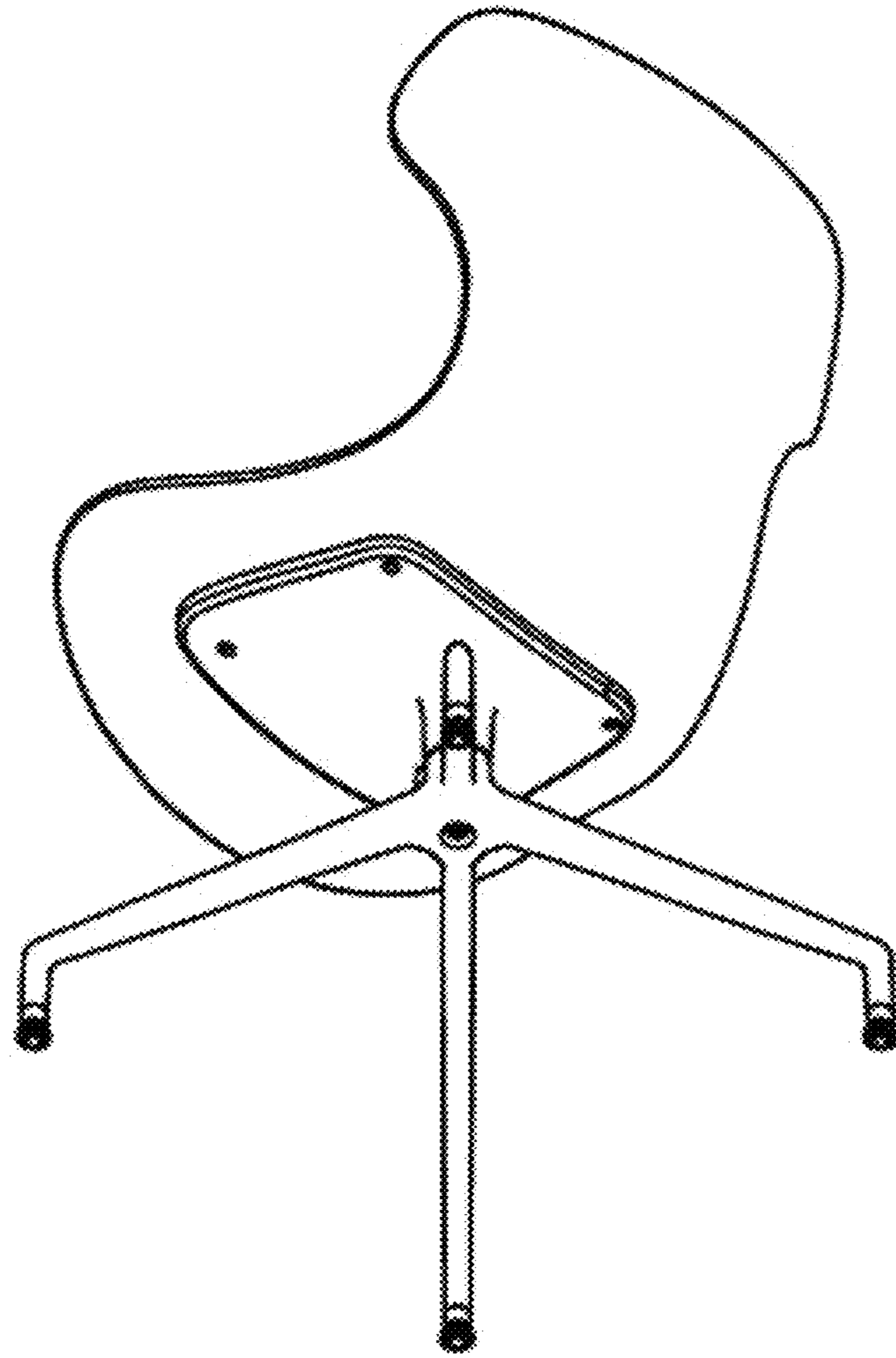


FIG. 2

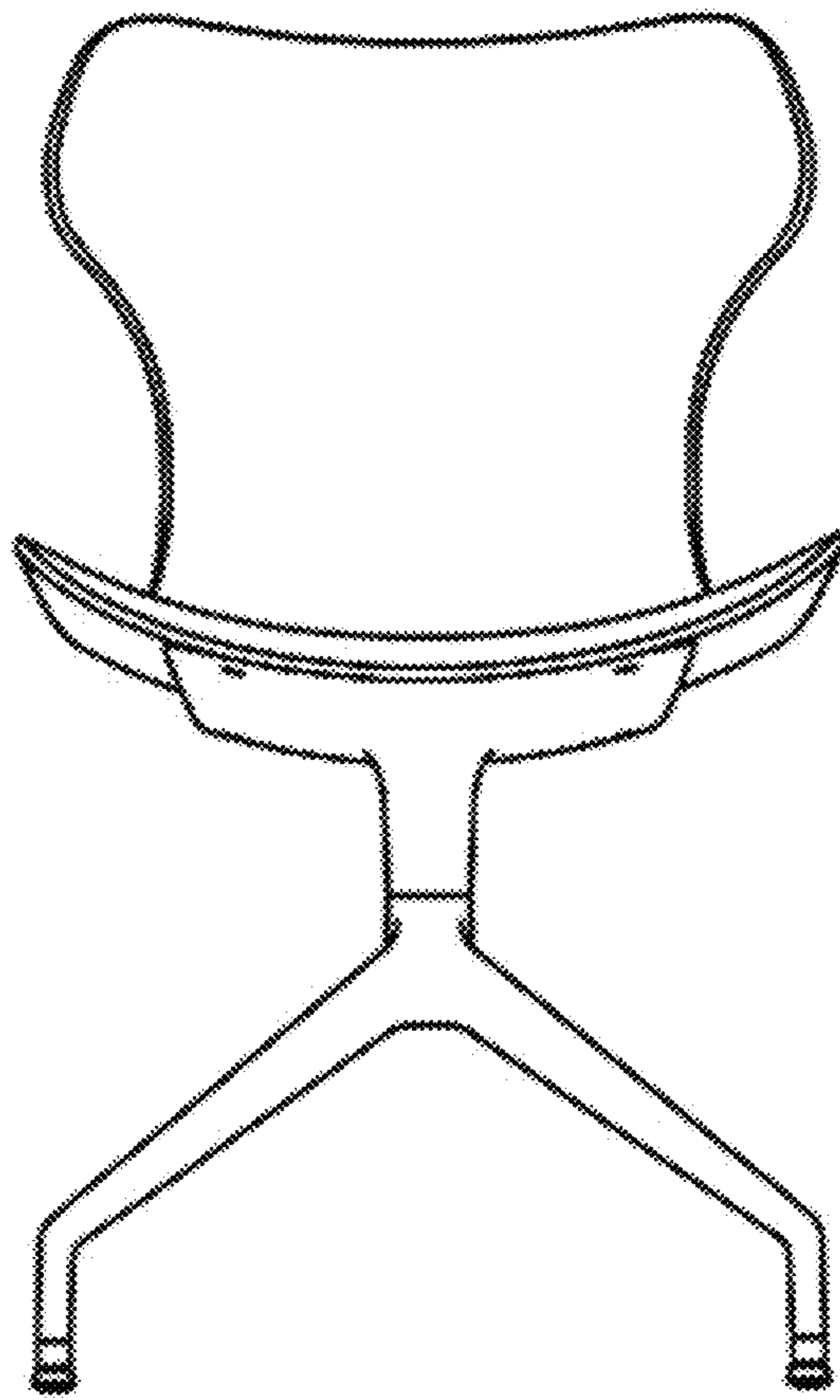


FIG. 3

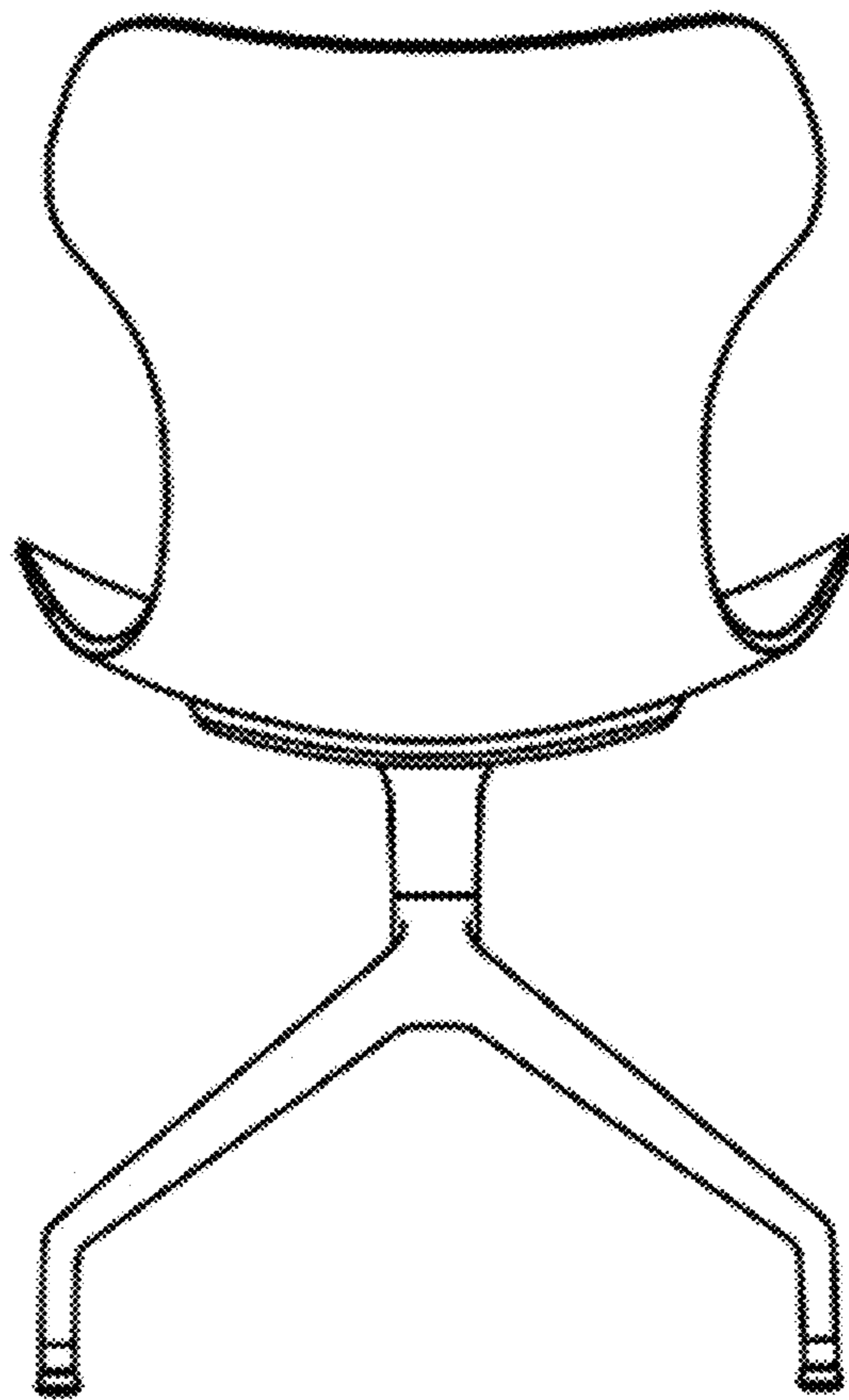


FIG. 4

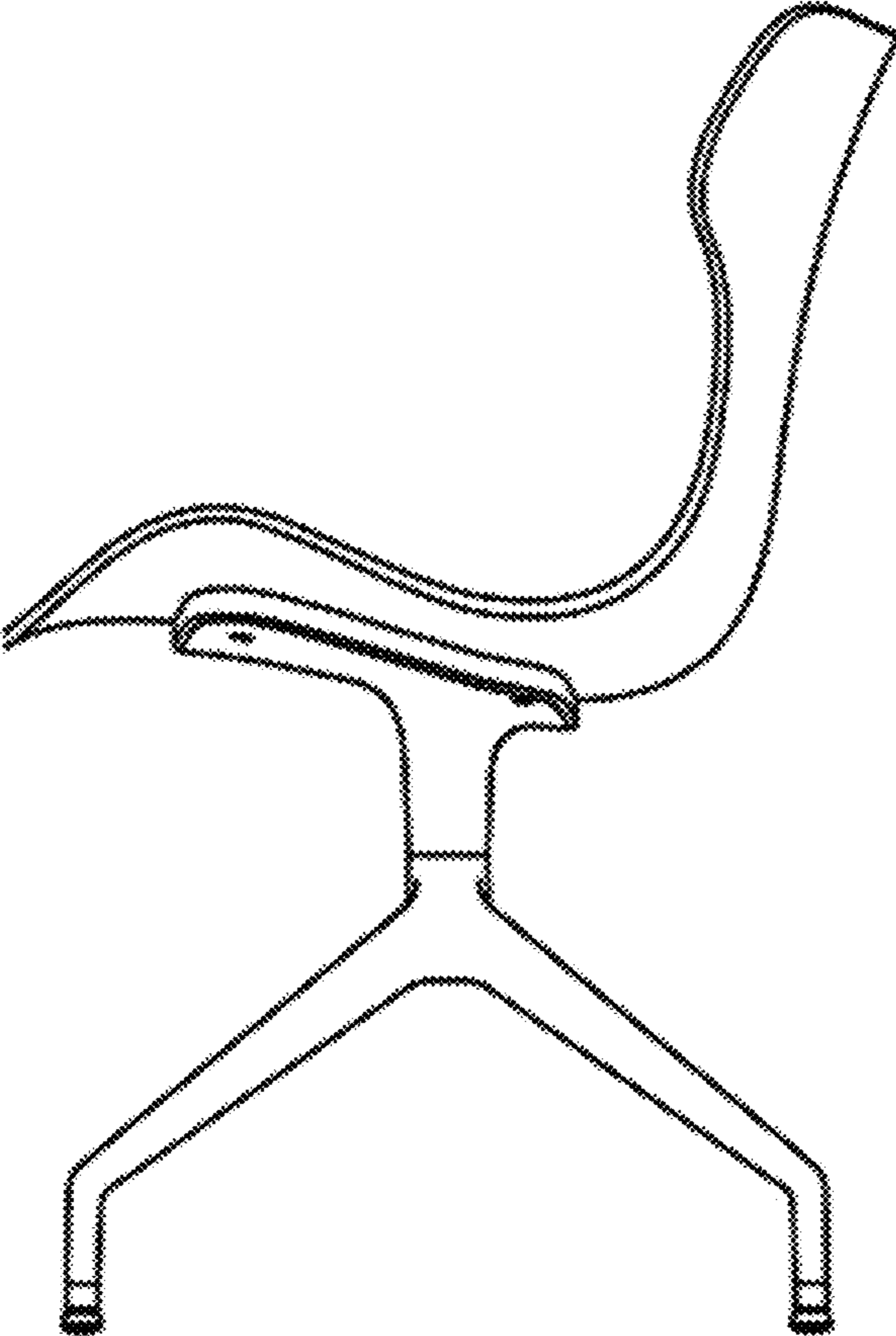


FIG. 5

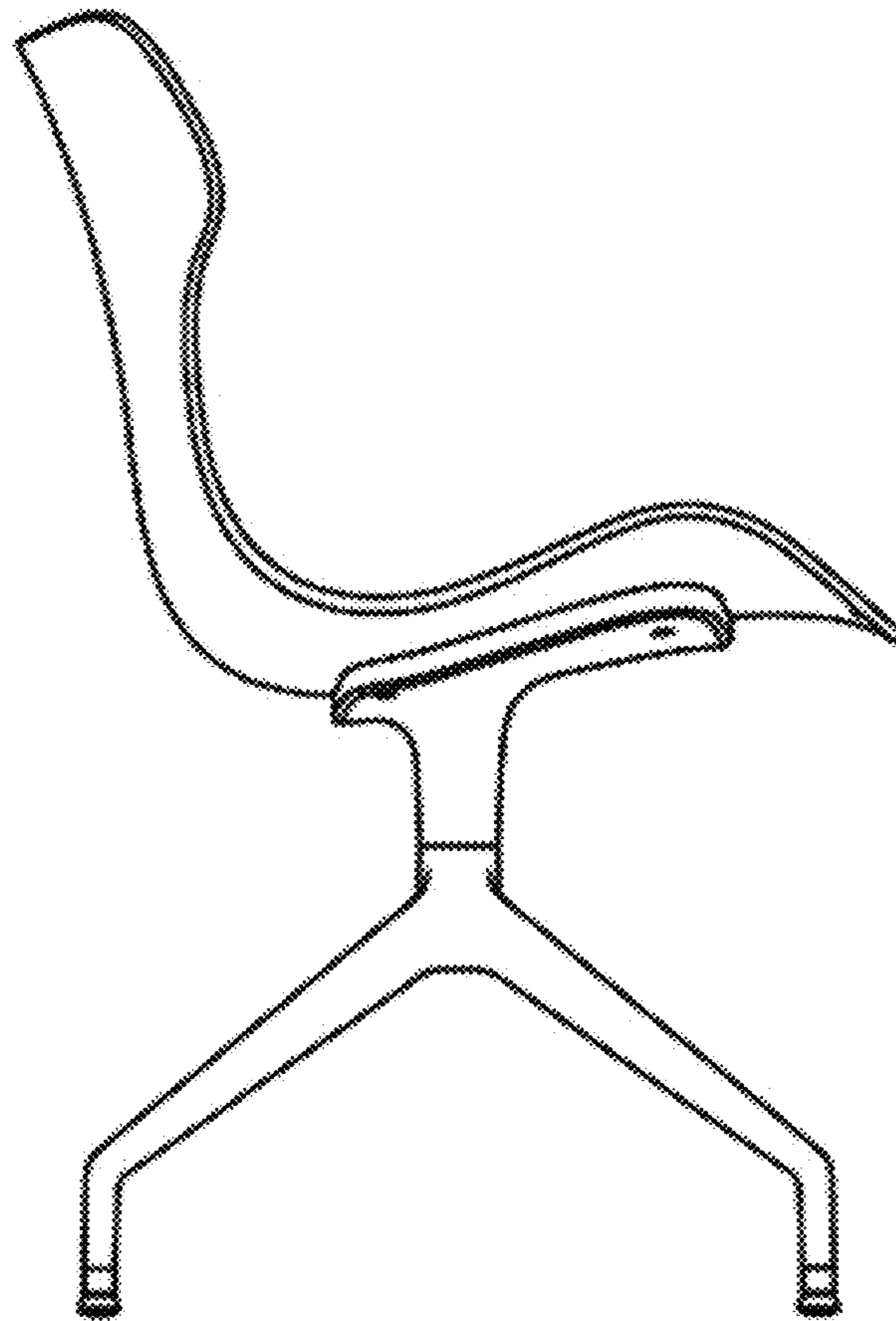


FIG. 6

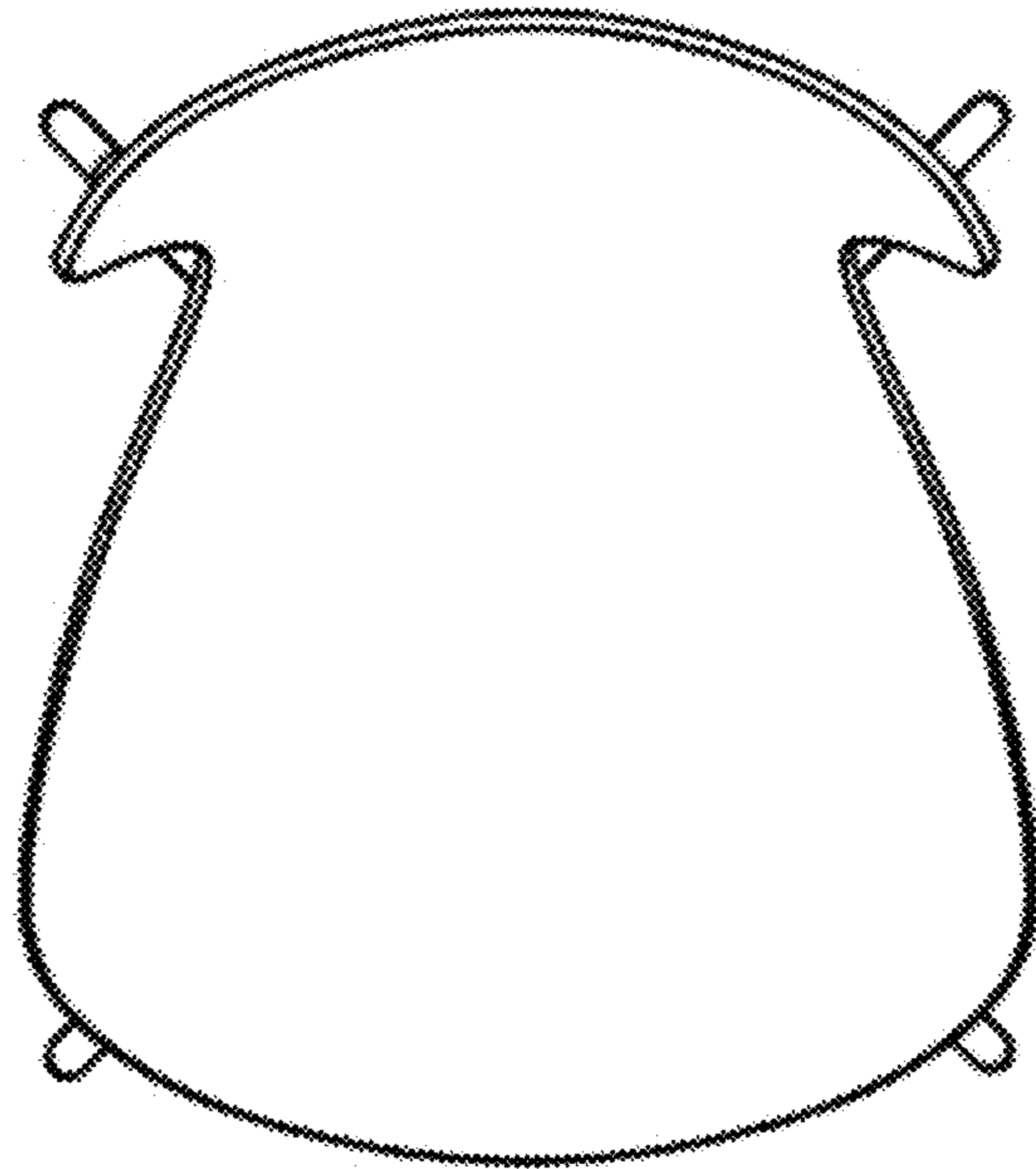


FIG. 7

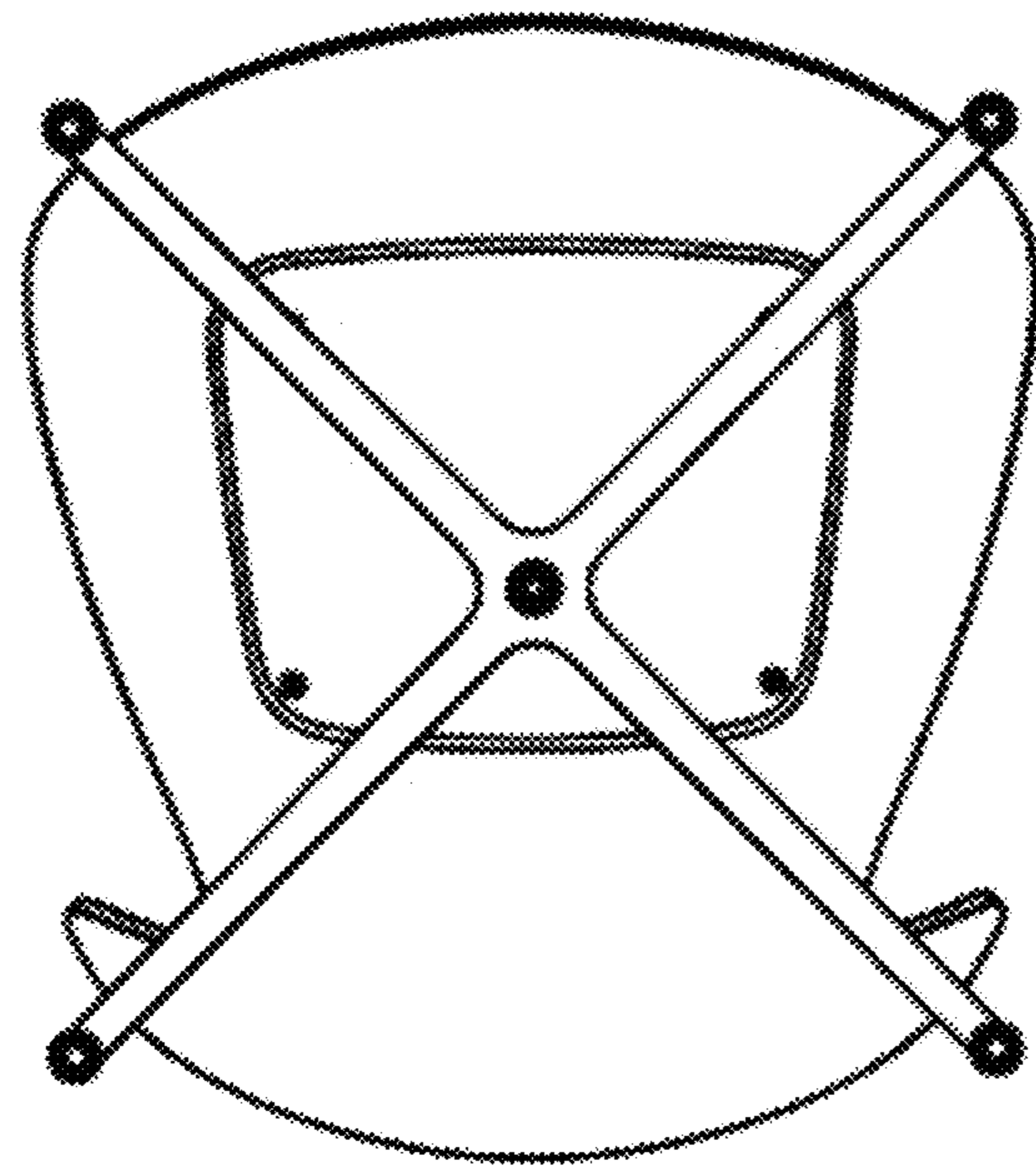


FIG. 8

UNITED STATES PATENT AND TRADEMARK OFFICE
CERTIFICATE OF CORRECTION

PATENT NO. : D782,839 S
APPLICATION NO. : 29/542018
DATED : April 4, 2017
INVENTOR(S) : Naoto Fukasawa

Page 1 of 1

It is certified that error appears in the above-identified patent and that said Letters Patent is hereby corrected as shown below:

On the Title Page

(30) Foreign Application Priority Data: change "MI2015O0062" to -- MI2015O000062 --.

Signed and Sealed this
Eleventh Day of July, 2017



Joseph Matal
*Performing the Functions and Duties of the
Under Secretary of Commerce for Intellectual Property and
Director of the United States Patent and Trademark Office*