



US00D782837S

(12) **United States Design Patent**
Wahid

(10) **Patent No.:** **US D782,837 S**

(45) **Date of Patent:** **** Apr. 4, 2017**

(54) **CHILD'S CAR SEAT HEAD PROTECTOR**

(71) Applicant: **Mohamed Wahid**, Holliswood, NY
(US)

(72) Inventor: **Mohamed Wahid**, Holliswood, NY
(US)

(**) Term: **15 Years**

(21) Appl. No.: **29/558,251**

(22) Filed: **Mar. 16, 2016**

(51) **LOC (10) Cl.** **06-01**

(52) **U.S. Cl.**
USPC **D6/333**

(58) **Field of Classification Search**
USPC D6/333-336, 339-341, 344, 381, 491,
D6/500-502; 297/250.1, 255, 256.15,
297/183.1-183.4, 184.15, 184.17, 256.16;
D12/129-130, 133; 5/94, 98.2, 103-104,
5/655, 655.3; D21/419; 280/30-31
CPC A47C 4/54; A47C 7/021; A47C 7/022;
A47C 31/11

See application file for complete search history.

(56) **References Cited**

U.S. PATENT DOCUMENTS

5,765,893 A 6/1998 Ziegler
7,748,781 B2 7/2010 Bass
D629,220 S * 12/2010 Xu D6/333
D653,463 S * 2/2012 Hartenstine D6/333
D661,500 S * 6/2012 Hutchinson D6/333

D676,679 S * 2/2013 Cymbalski D6/333
D741,607 S * 10/2015 Rajasingham D6/333
D746,071 S * 12/2015 Haley D6/333
D746,072 S * 12/2015 Haley D6/333

* cited by examiner

Primary Examiner — Abraham Bahta

(74) *Attorney, Agent, or Firm* — RG Patent Consulting,
LLC; Rachel Gilboy

(57) **CLAIM**

The ornamental design for the child's car seat head protector, as described and shown.

DESCRIPTION

FIG. 1 is a perspective view of the child's car seat head protector

FIG. 2 is a front side elevation of the child's car seat head protector

FIG. 3 is a rear side elevation of the child's car seat head protector

FIG. 4 is a right side elevation of the child's car seat head protector

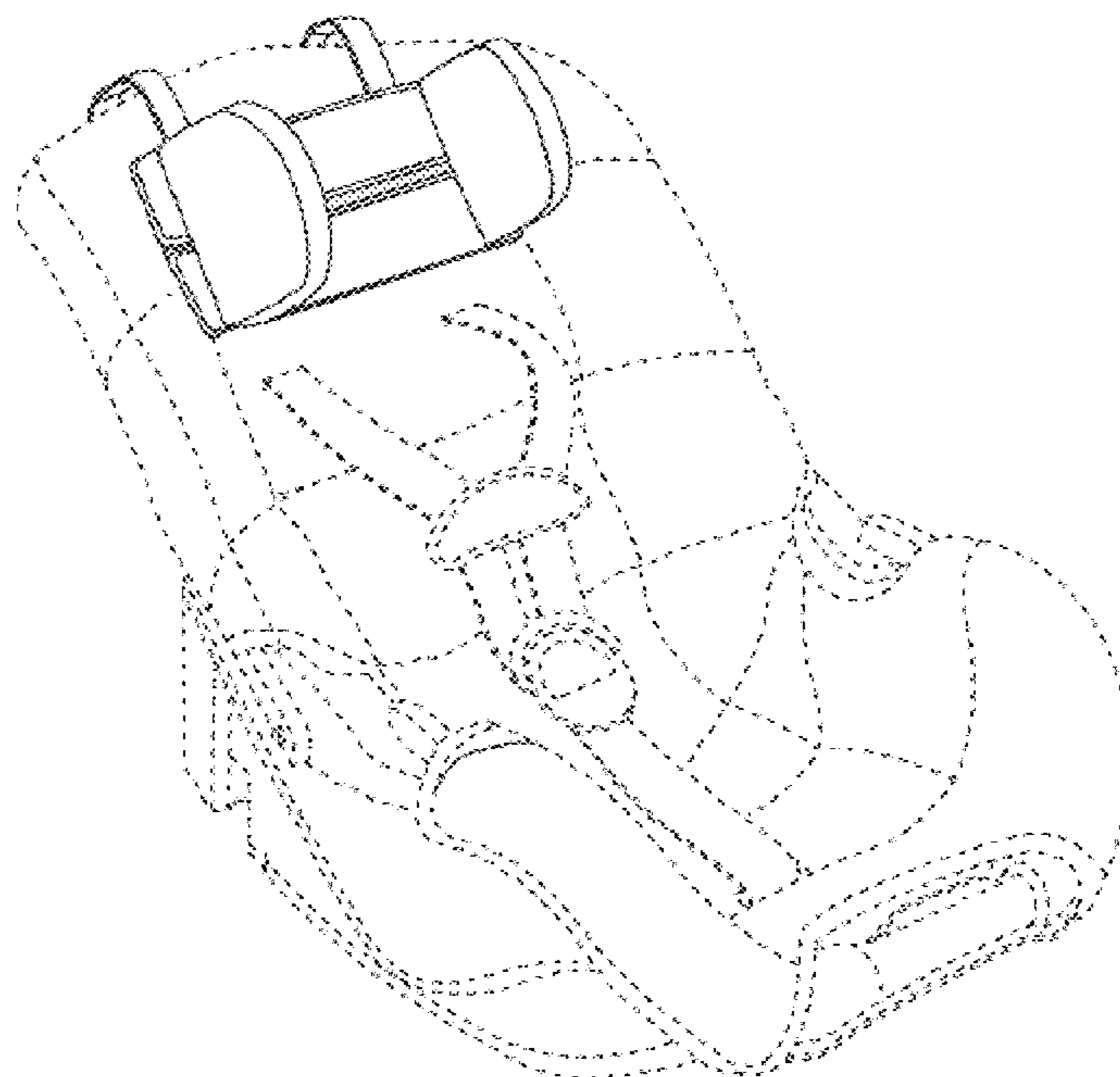
FIG. 5 is a left side elevation of the child's car seat head protector

FIG. 6 is a top plan view of the child's car seat head protector; and,

FIG. 7 is a bottom plan view of the child's car seat head protector.

Broken lines are included for the purpose of illustrating portions of the child's car seat head protector and form no part of the claimed design.

1 Claim, 7 Drawing Sheets



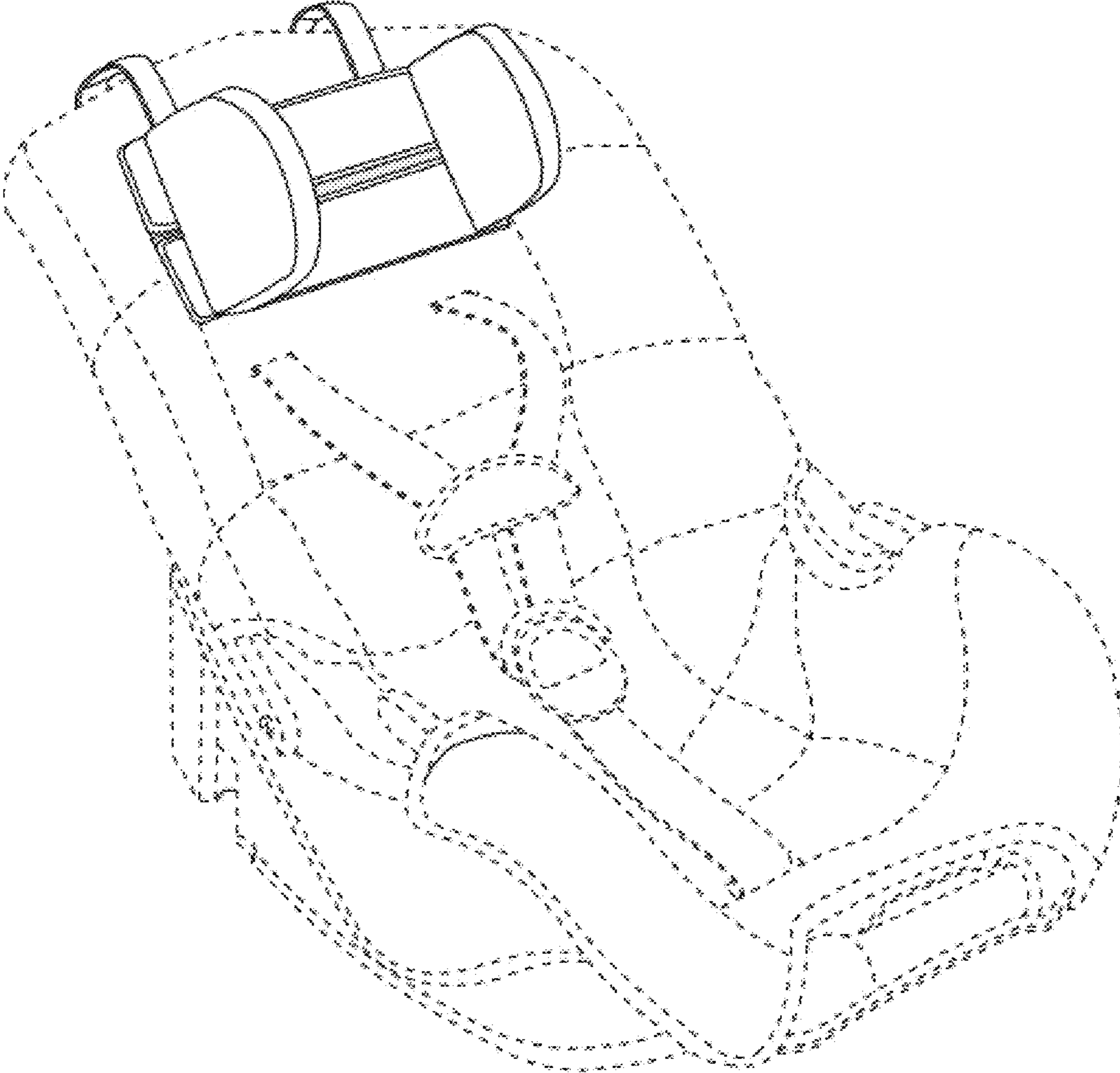


FIG. 1

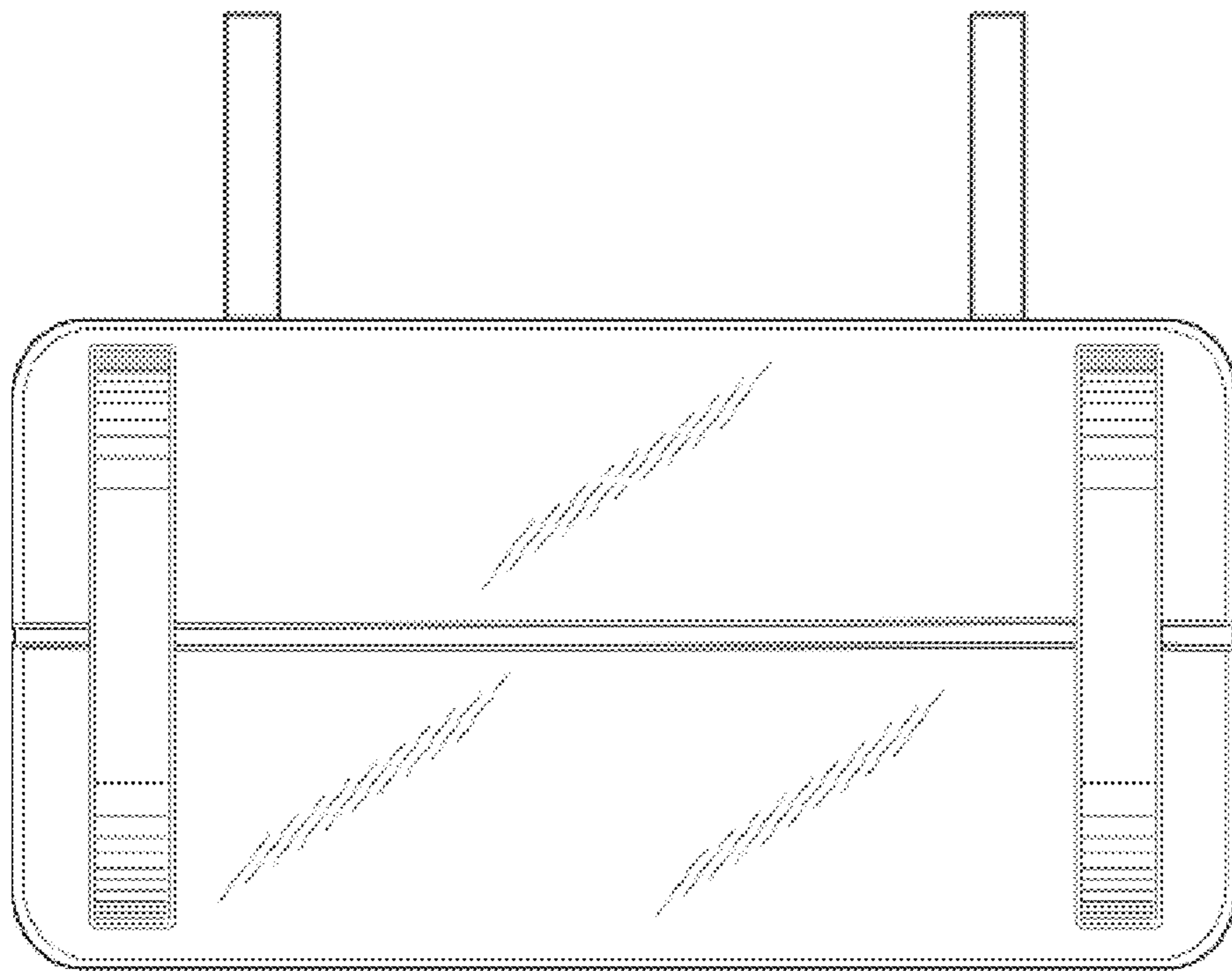


FIG. 2

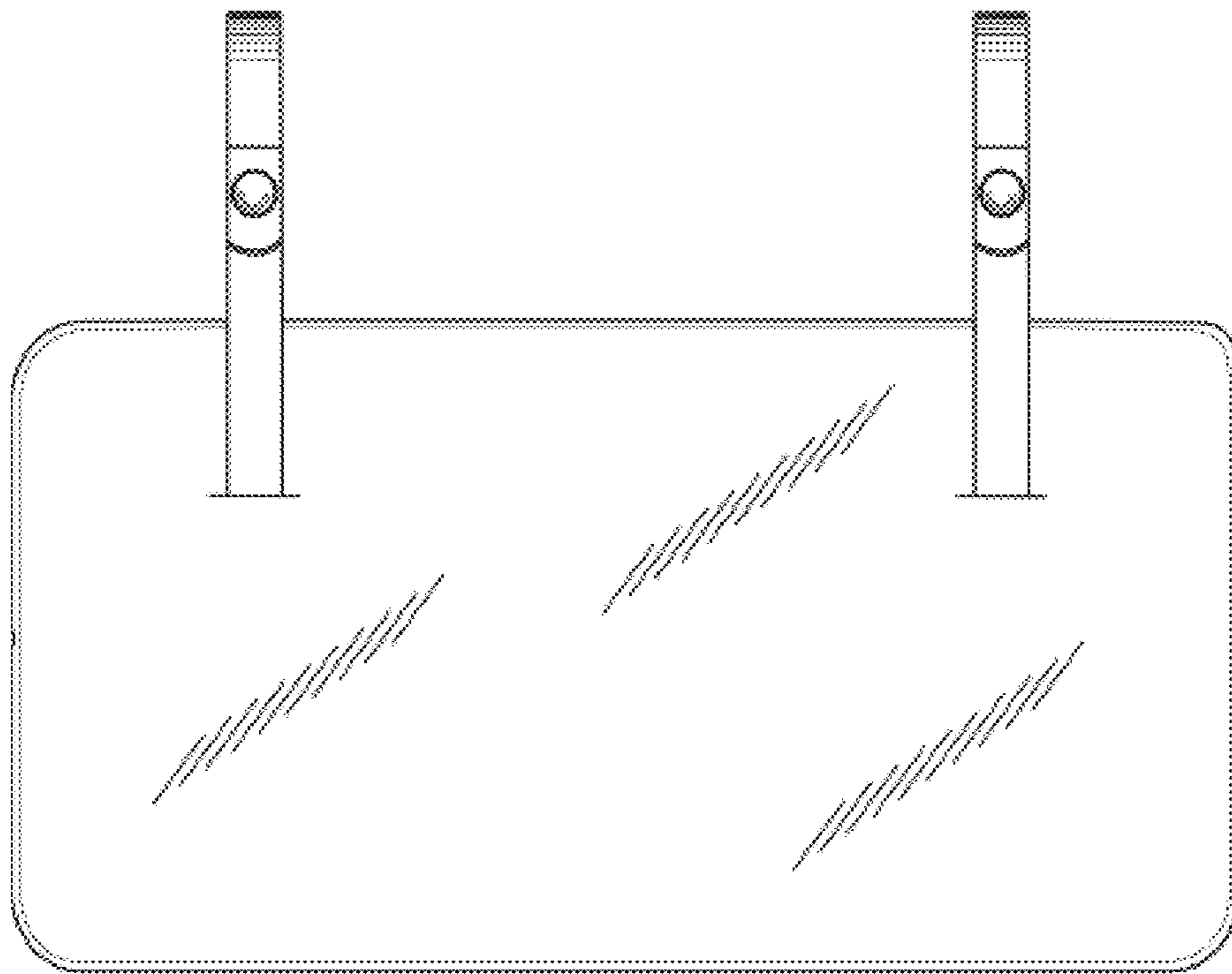


FIG. 3

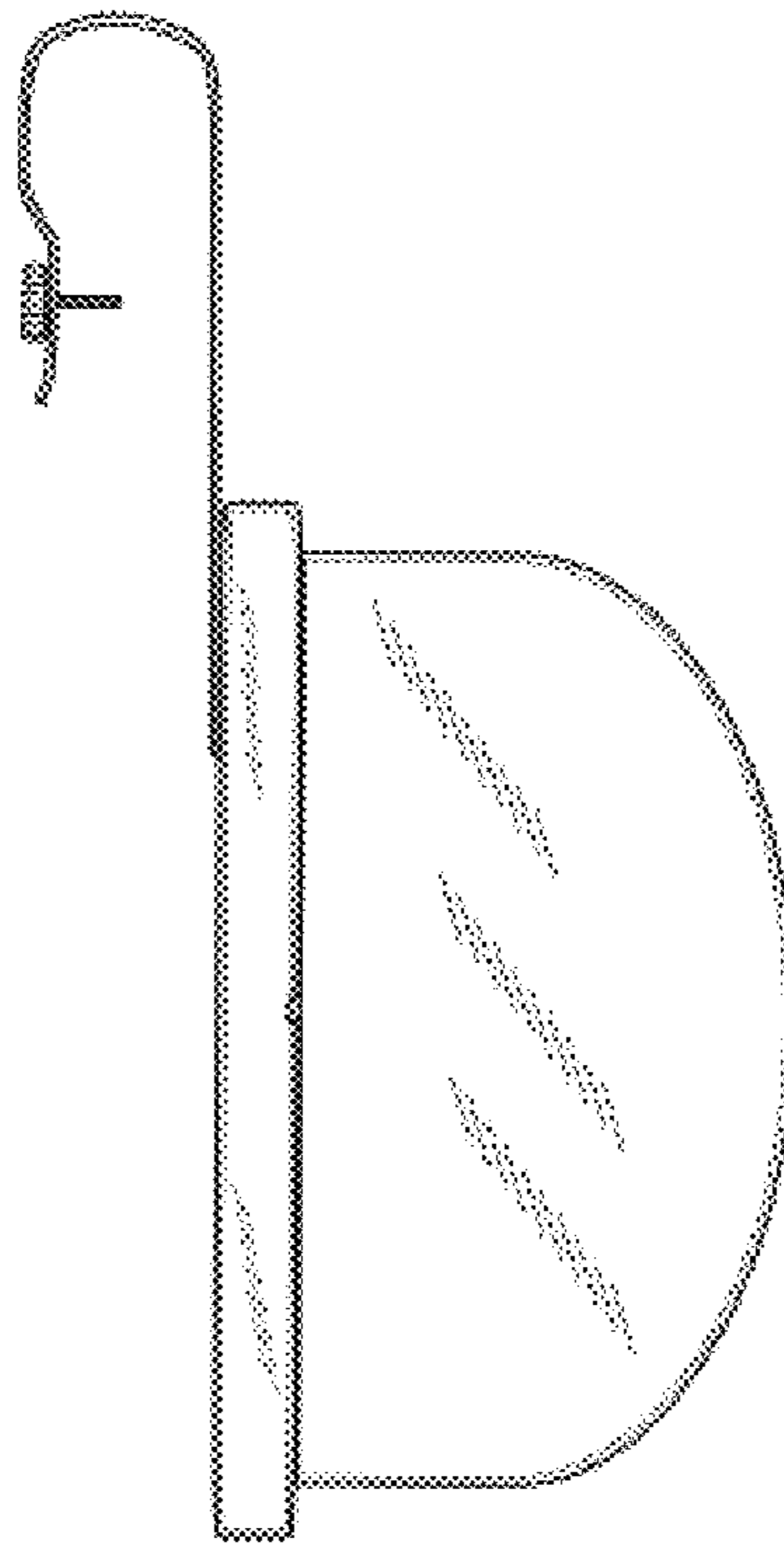


FIG. 4

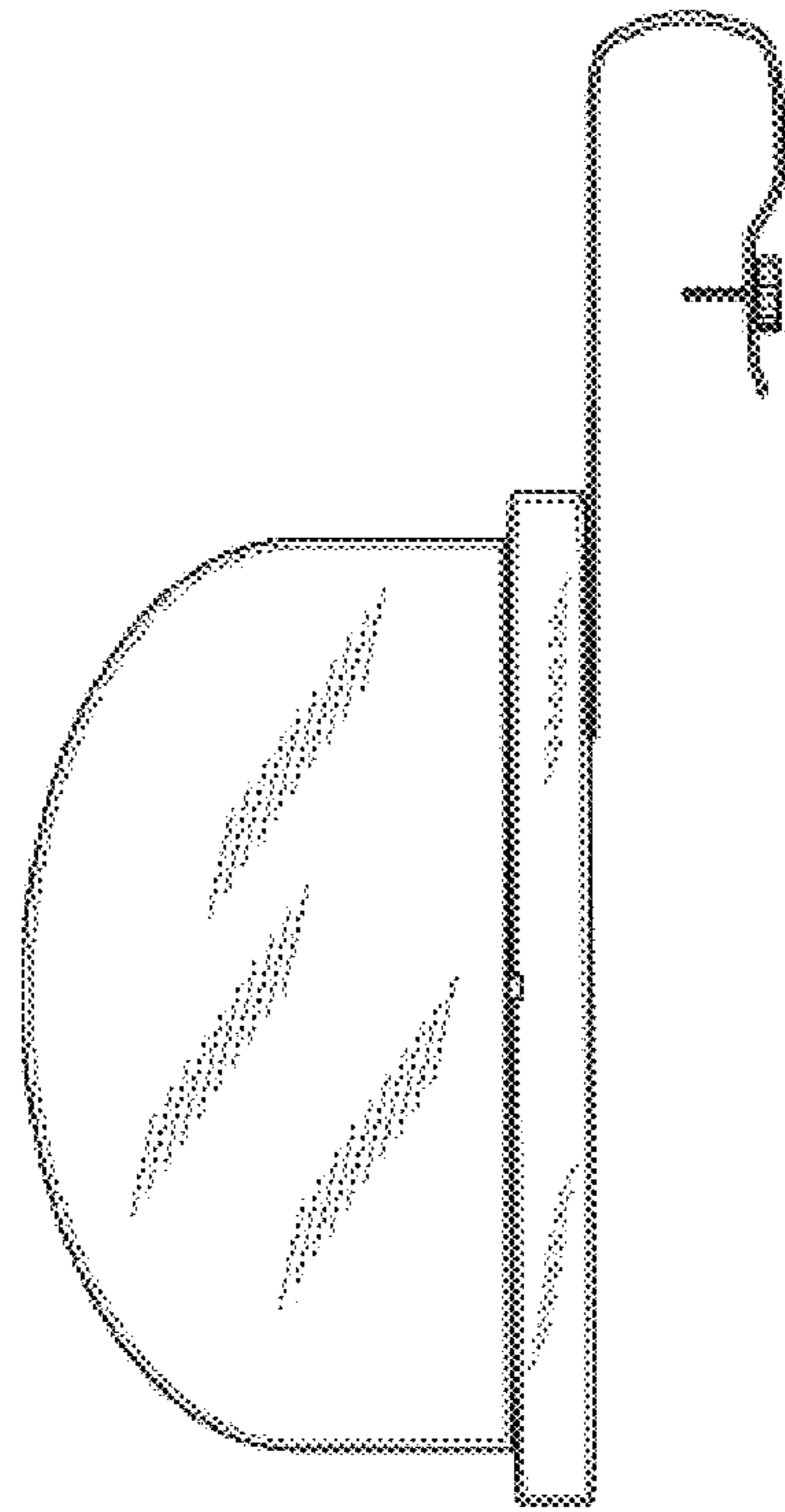


FIG. 5

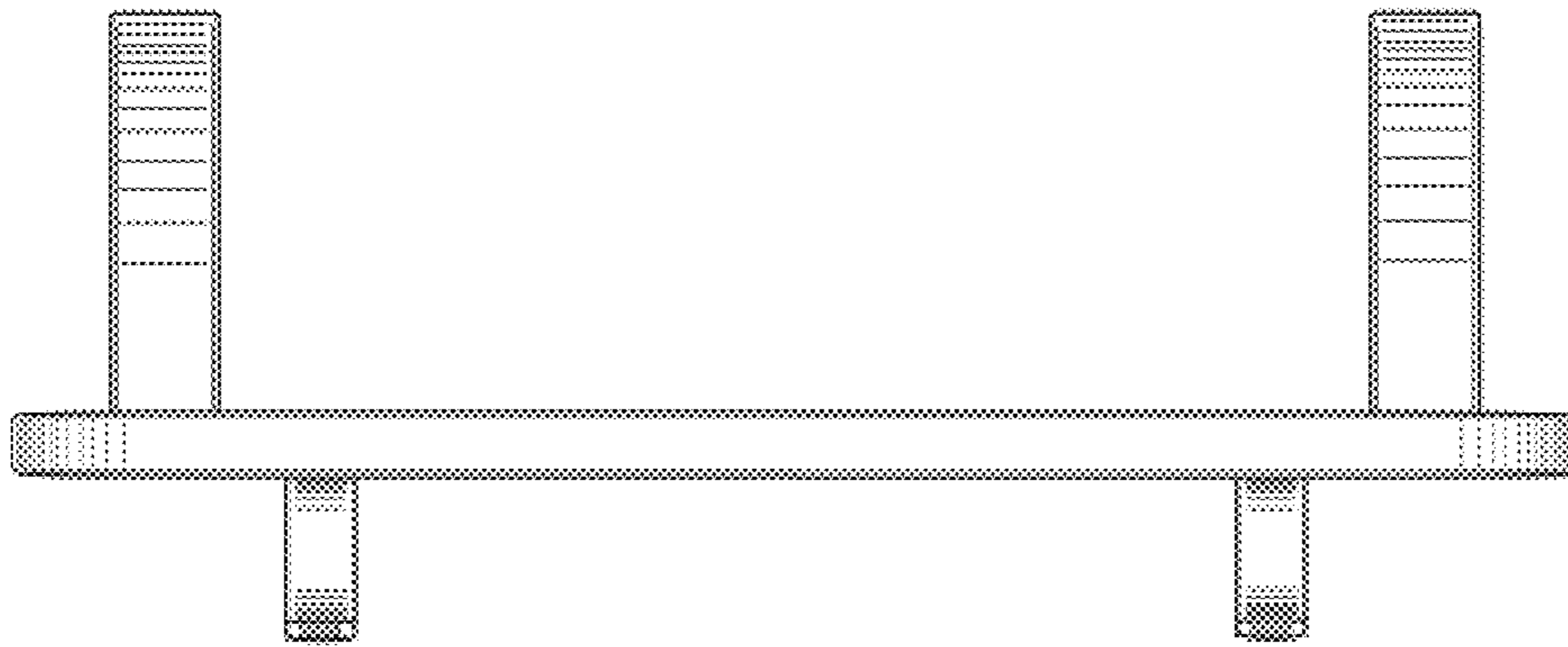


FIG. 6



FIG. 7