



US00D782836S

(12) **United States Design Patent**
Roland

(10) **Patent No.:** **US D782,836 S**

(45) **Date of Patent:** **** Apr. 4, 2017**

(54) **CHAIR**

(71) Applicant: **U:THENTIC PTY LTD**, Bulimba (AU)

(72) Inventor: **Mark Roland**, Bulimba (AU)

(73) Assignee: **U:THENTIC PTY LTD**, Queensland (AU)

(**) Term: **14 Years**

(21) Appl. No.: **29/516,852**

(22) Filed: **Feb. 6, 2015**

(30) **Foreign Application Priority Data**

Aug. 7, 2014 (AU) 201413848

(51) **LOC (10) Cl.** **06-01**

(52) **U.S. Cl.**
USPC **D6/333**

(58) **Field of Classification Search**
USPC D6/334-335, 373, 375, 336, 338, 349,
D6/355, 381, 348, 371, 716, 716.1, 716.4;
297/118, 119, 135, 144, 232, 445.1,
297/448.1, 452.18; 5/12.1, 12.2
CPC A47C 1/00; A47C 1/02; A47C 1/12; A47C
3/00; A47C 3/02; A47C 3/029; A47C
11/00; A47C 17/00; A47C 17/02; A47C
5/00; A47C 5/04
See application file for complete search history.

(56) **References Cited**

U.S. PATENT DOCUMENTS

D198,312 S * 6/1964 Gale D6/348
D315,643 S * 3/1991 Guy D6/334

D326,958 S * 6/1992 Royle D6/348
D588,368 S * 3/2009 McCoy D6/344
D617,106 S * 6/2010 Giovanetti D6/361
D693,584 S * 11/2013 Kanthasamy D6/334
D694,035 S * 11/2013 Cramer D6/374
D716,567 S * 11/2014 George, II D6/334
D740,575 S * 10/2015 Scott D6/334
D741,613 S * 10/2015 George, II D6/371
D754,448 S * 4/2016 Akkad D6/335
D756,674 S * 5/2016 George, II D6/348

* cited by examiner

Primary Examiner — Abraham Bahta

(74) *Attorney, Agent, or Firm* — Calfee, Halter & Griswold LLP

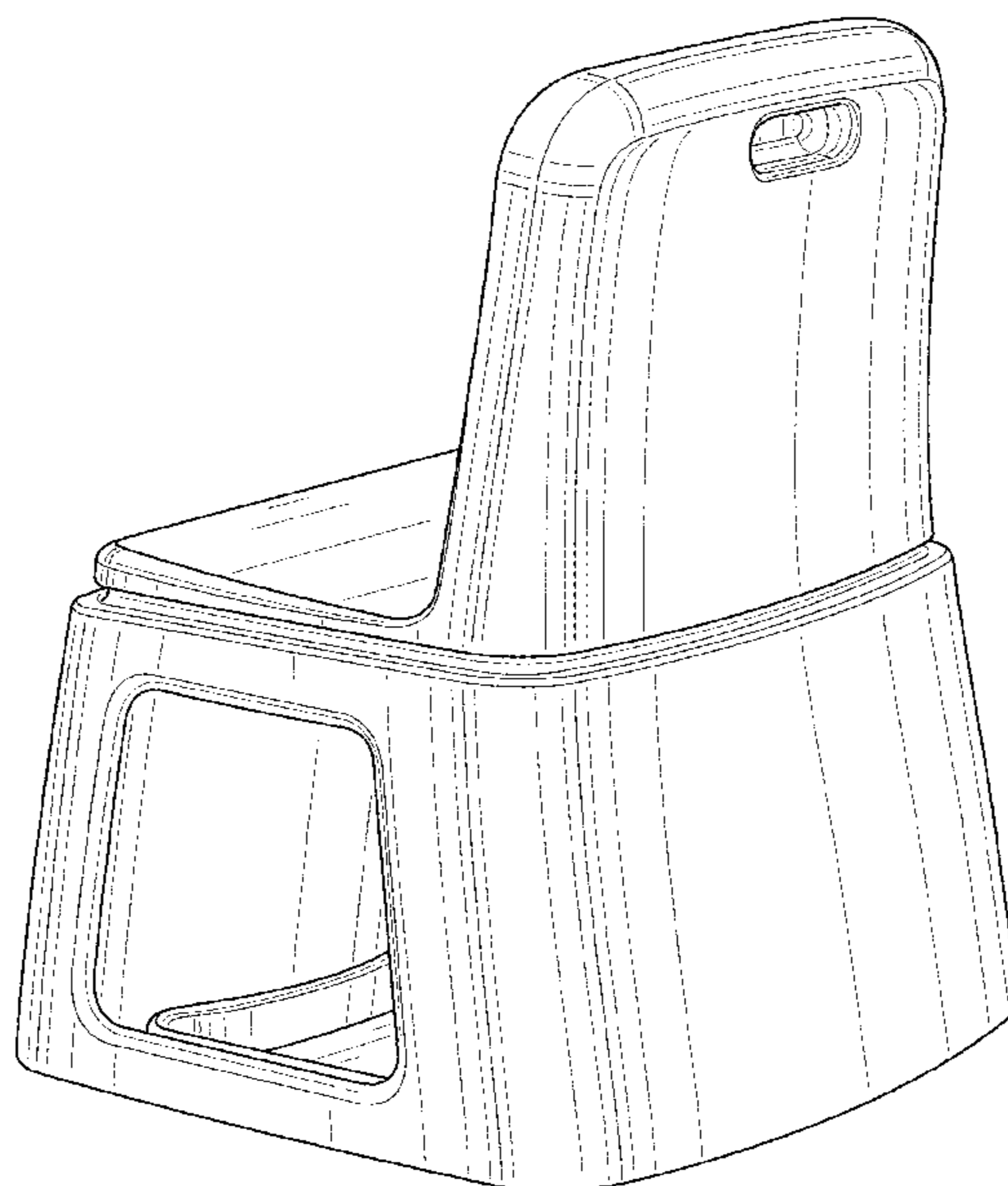
(57) **CLAIM**

I claim the ornamental design for a chair, as shown and described.

DESCRIPTION

FIG. 1 is a front view of the chair showing my new design; FIG. 2 is a left side view, the right side view being a mirror image thereof; FIG. 3 is an bottom view thereof; FIG. 4 is a rear, left and top perspective view thereof; and, FIG. 5 is a rear, left and bottom perspective view thereof. The broken lines showing portions of the chair are included for the purpose of illustrating surface treatment and form no part of the claimed design.

1 Claim, 5 Drawing Sheets



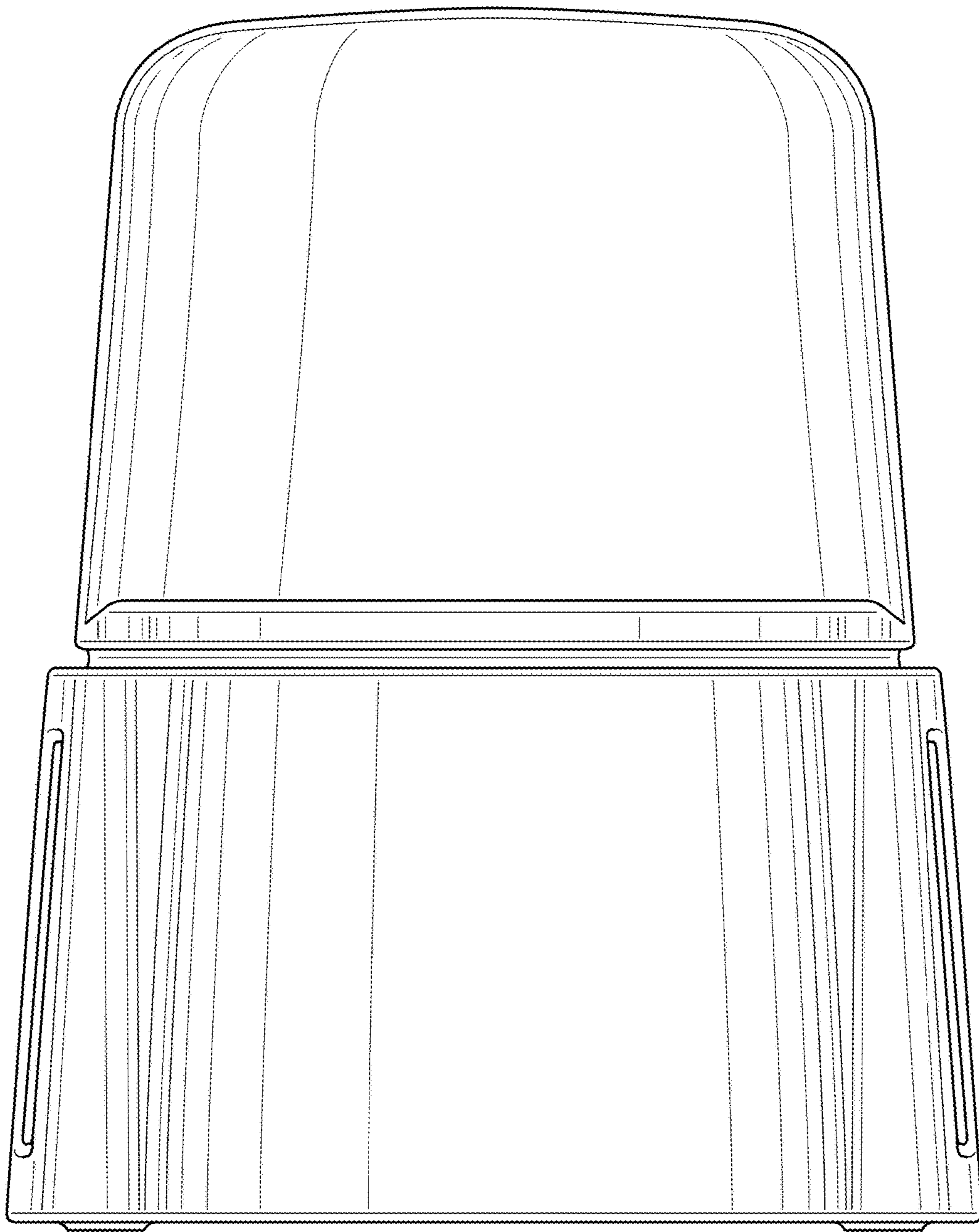


FIG. 1

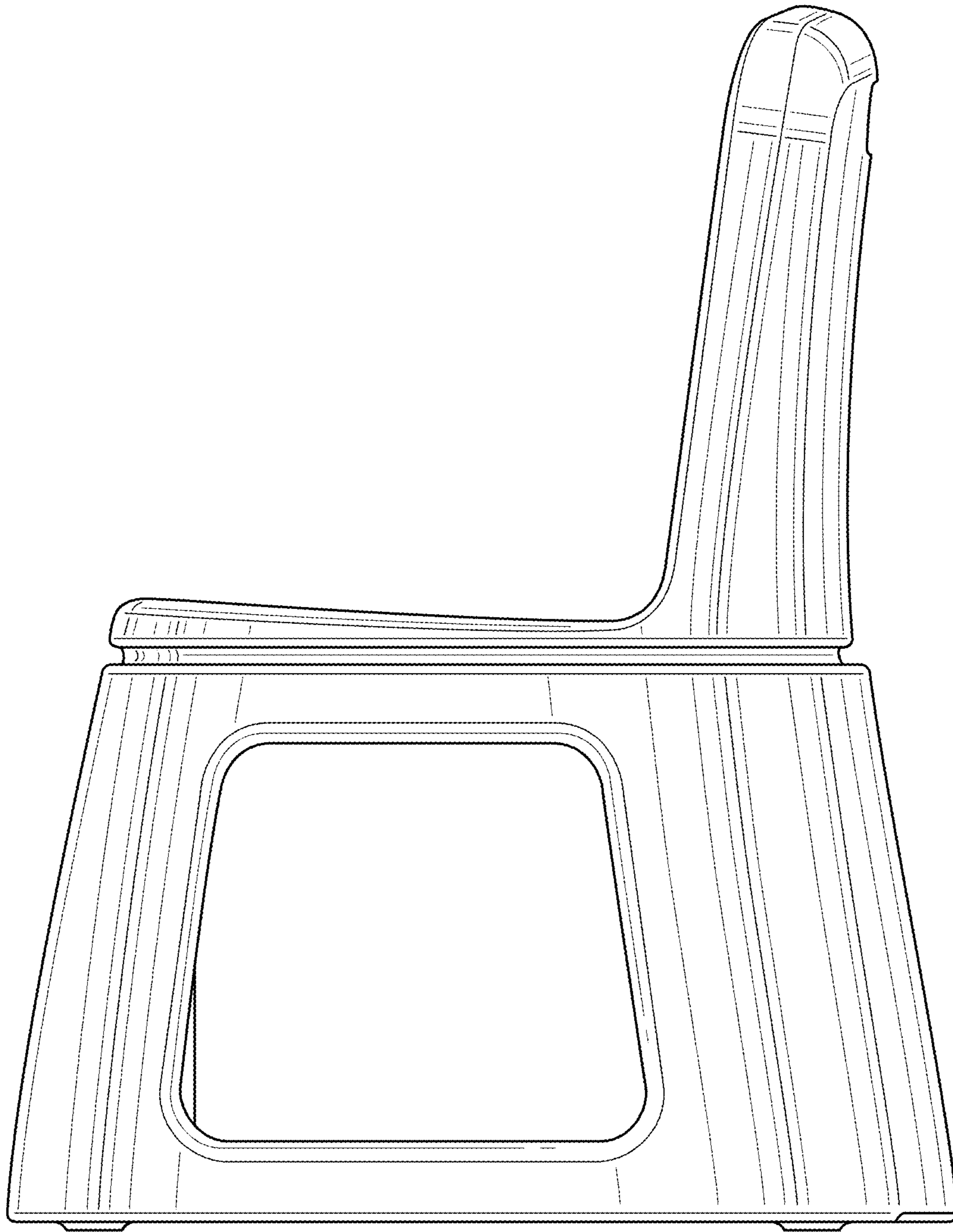


FIG. 2

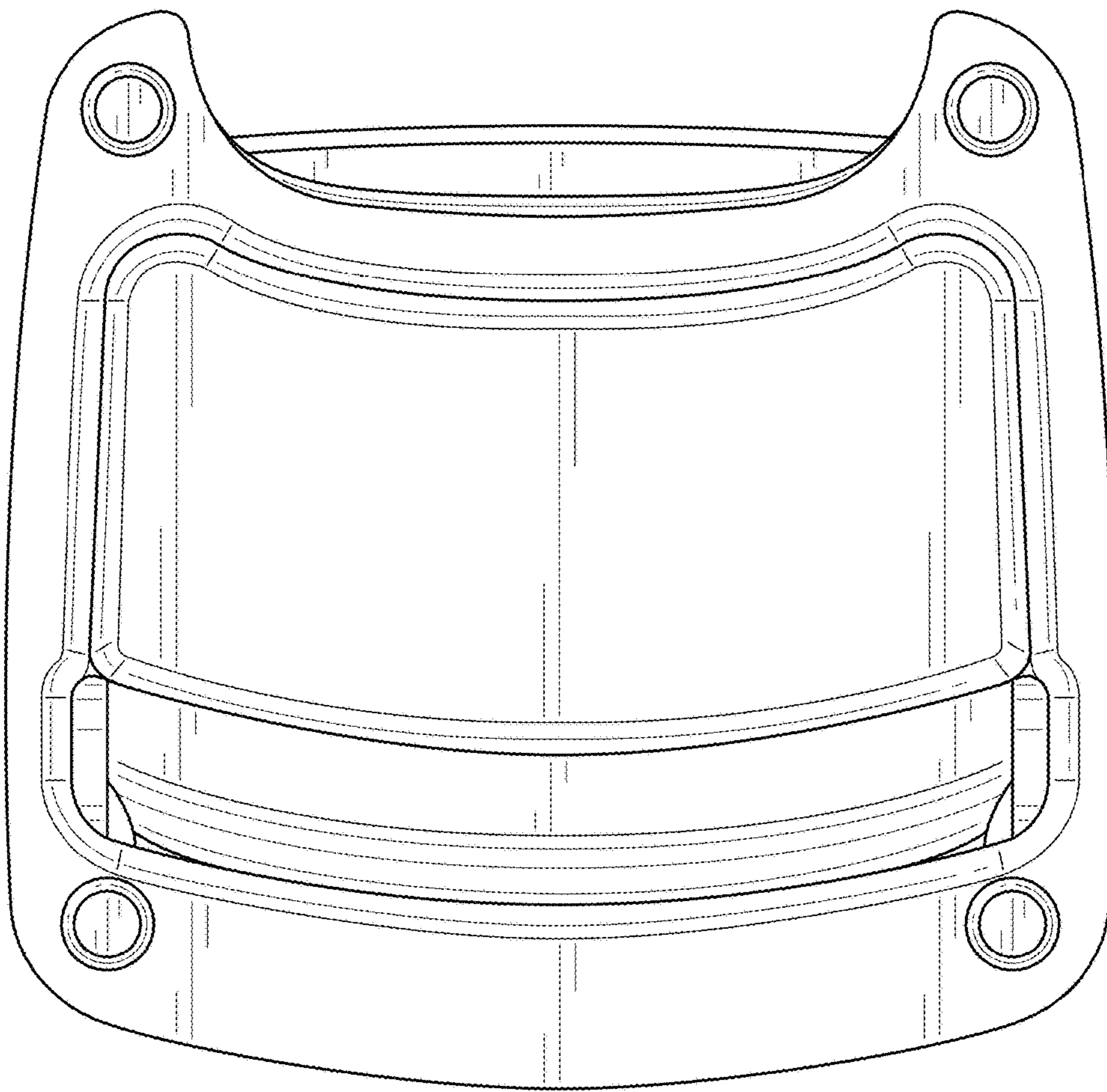


FIG. 3

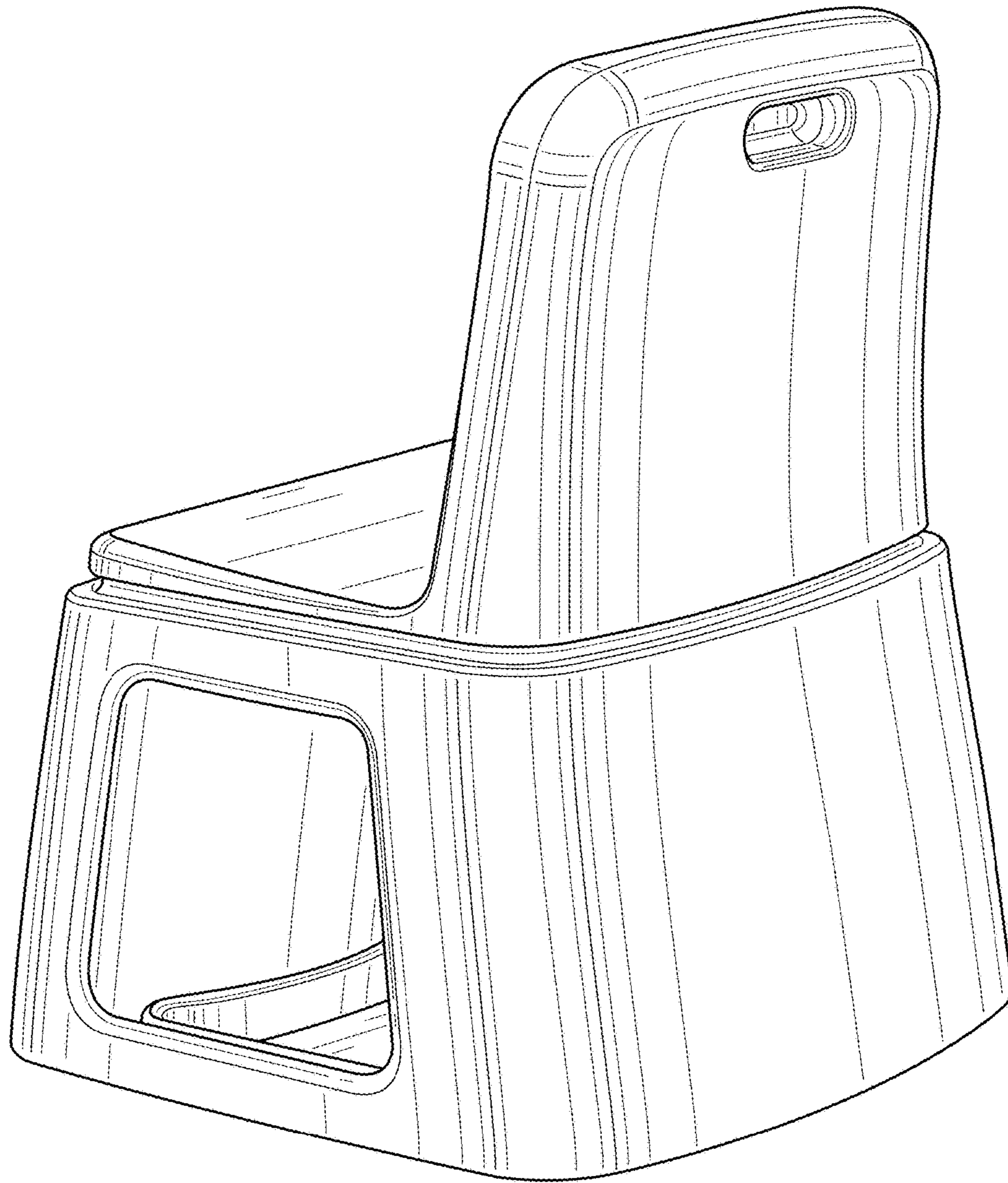


FIG. 4

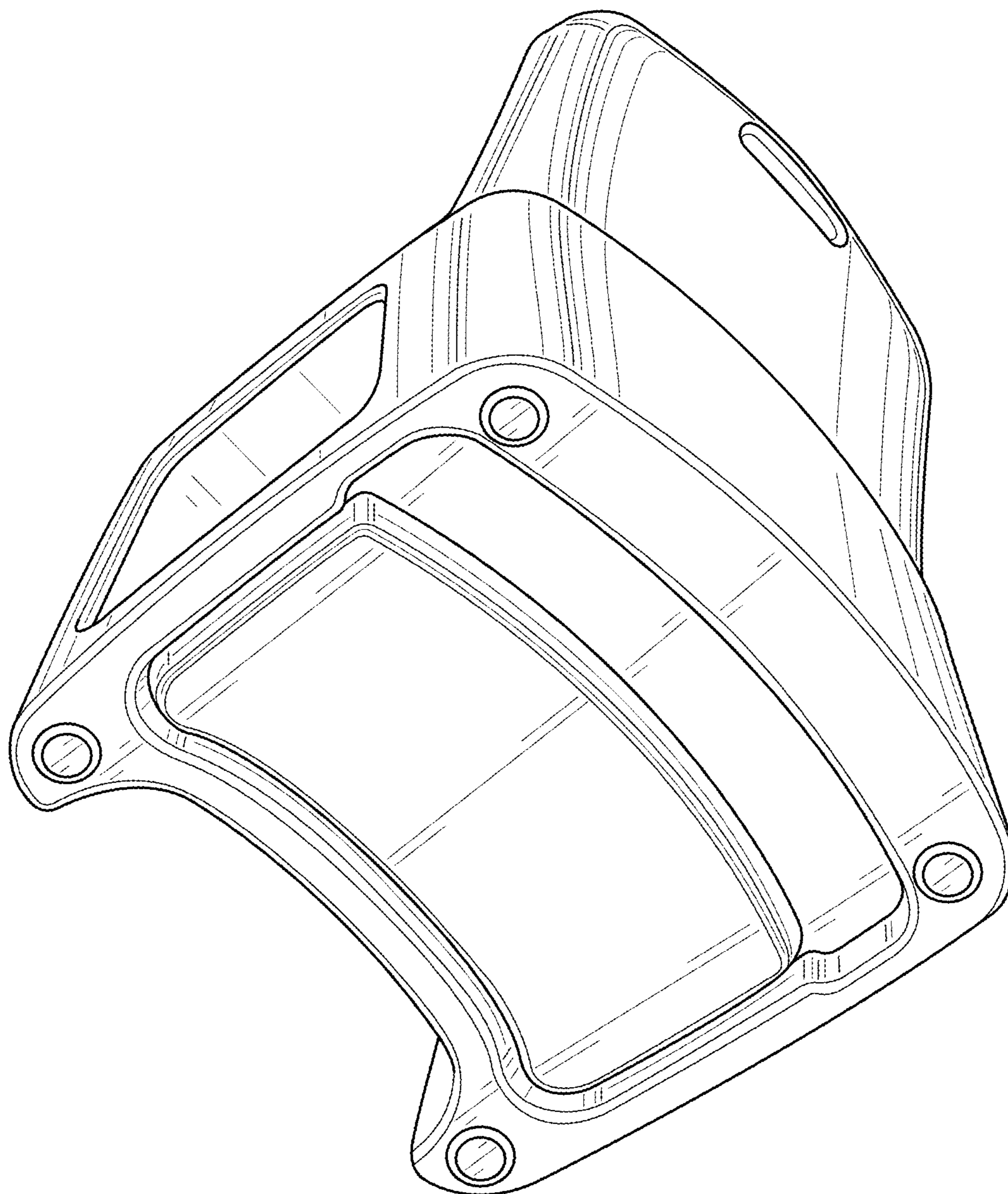


FIG. 5