



US00D782834S

(12) **United States Design Patent**
Lu

(10) **Patent No.:** **US D782,834 S**
(45) **Date of Patent:** **** Apr. 4, 2017**

(54) **ELECTRIC SUPPORT FOR HEADREST**

(71) Applicant: **Dongguan Weihong Hardware and Plastic Products Co., Ltd.**, Dongguan (CN)

(72) Inventor: **Wei Lu**, Dongguan (CN)

(73) Assignee: **DONGGUAN WEIHONG HARDWARE AND PLASTIC PRODUCTS CO., LTD.**, Dongguan (CN)

(**) Term: **15 Years**

(21) Appl. No.: **29/548,880**

(22) Filed: **Dec. 17, 2015**

(30) **Foreign Application Priority Data**

Sep. 8, 2015 (CN) 2015 3 0344199.5

(51) **LOC (10) Cl.** **08-06**

(52) **U.S. Cl.**
USPC **D6/323; D6/716.5**

(58) **Field of Classification Search**
USPC D8/323, 349, 354, 359, 367, 380;
D6/304, 334, 335, 336, 356, 366, 553,
D6/702, 705, 715, 716, 716.1, 716.4,
D6/716.5; D3/304; D12/400, 406, 416,
D12/420, 425; D13/133, 147, 152, 156,
D13/174; D15/88, 199; D21/330, 335,
D21/349, 470, 478, 479, 480, 489, 491
CPC F16M 11/10; F16M 13/02; F16M 13/00;
A47C 17/38; A47C 7/18; A47C 7/30;
A47C 17/16; A47C 20/04; A47C 20/041;
B60N 2/4847; B60N 2/4228; B60N 2/48;
B60N 2/4802; B60N 2/4861; B60N
2/4855; B60N 2/4817; B60N 2/4882;
B60N 2/4885; B60N 2/02; B60N 2/427;
B60N 2/68; B60N 2/42;

(Continued)

(56) **References Cited**

U.S. PATENT DOCUMENTS

2,904,822 A * 9/1959 Rhodes E05D 3/06
16/288
3,349,877 A * 10/1967 Downs A47C 20/041
192/48.9

(Continued)

OTHER PUBLICATIONS

Sofa Bed Mechanism Furniture Table Fittings, posted at Alibaba.com, posting date Mar. 17, 2016, [online], [site visited Sep. 1, 2016]. Available from Internet, <URL: https://www.alibaba.com/product-detail/Sofa-Bed-Mechanism-Furniture-Table-Fittings_60363495599.html?spm=a2700.7724838.0.0.E7WufU>.*

(Continued)

Primary Examiner — Caron D Veynar

Assistant Examiner — Catherine Ho

(74) *Attorney, Agent, or Firm* — Shimokaji IP

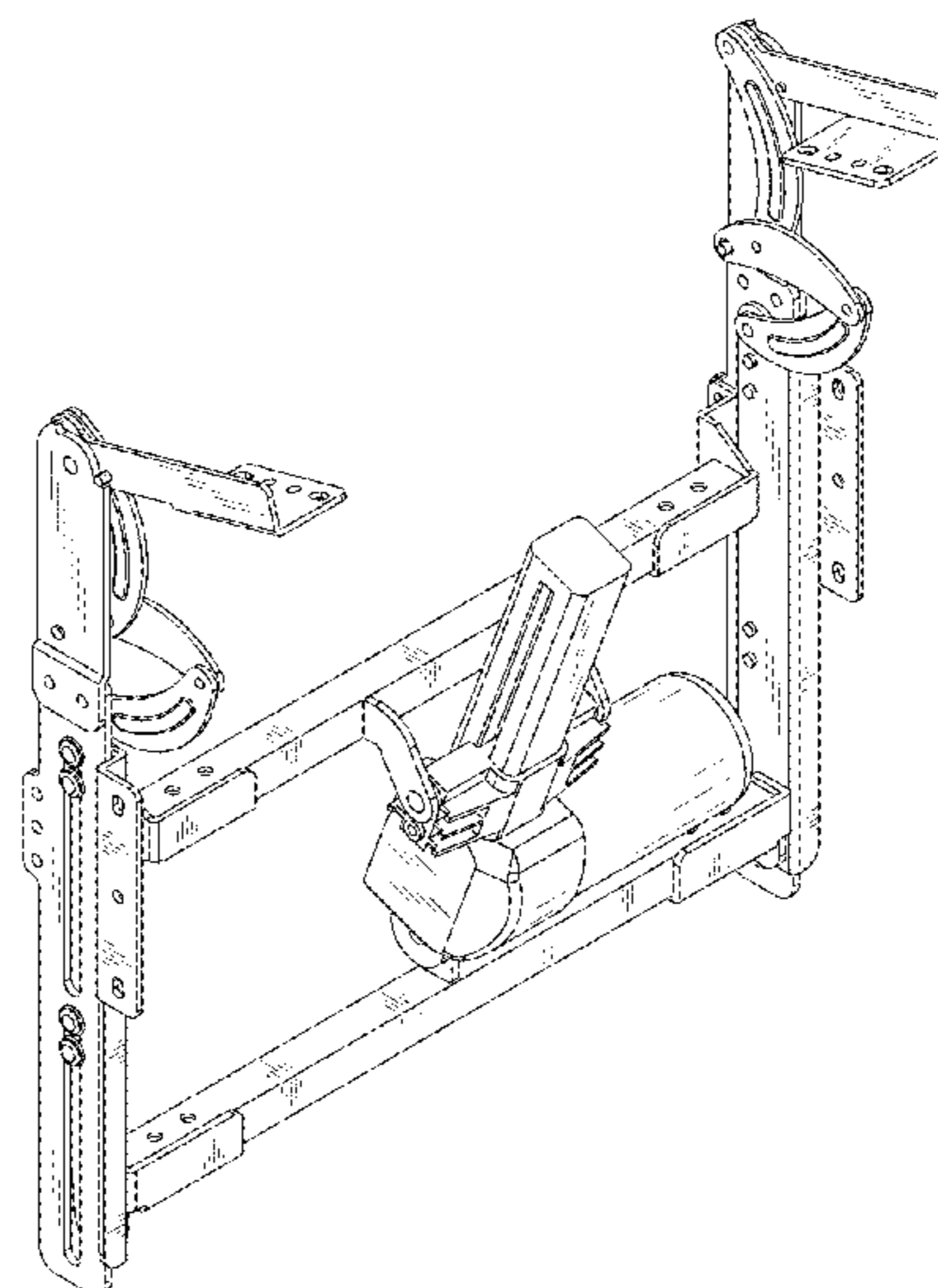
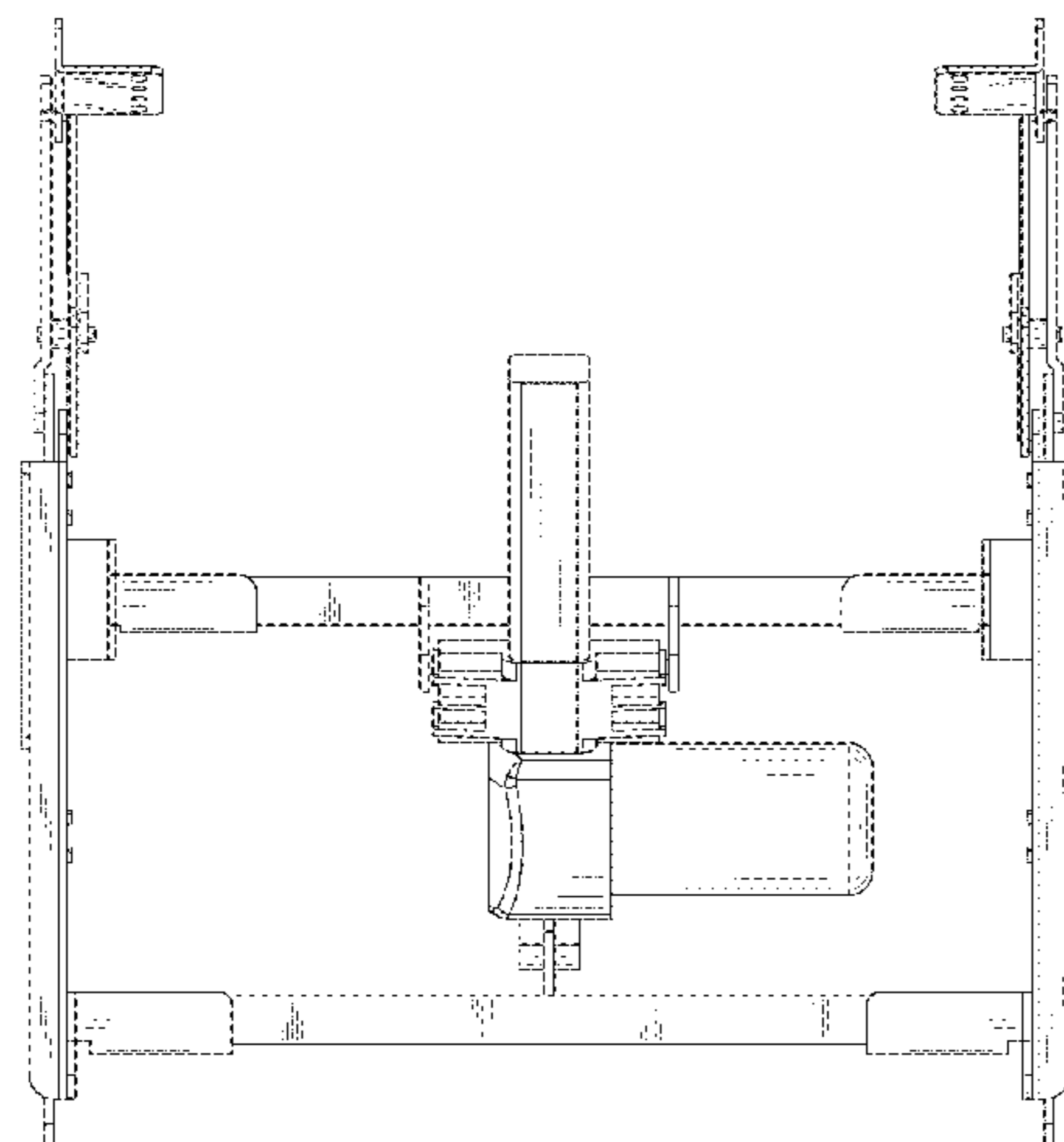
(57) **CLAIM**

The ornamental design for an electric support for headrest, as shown and described.

DESCRIPTION

FIG. 1 is a front elevational view of an electric support for headrest showing my new design;
FIG. 2 is a rear elevational view thereof;
FIG. 3 is a left side elevational view thereof;
FIG. 4 is a right side elevational view thereof;
FIG. 5 is a top plan view thereof;
FIG. 6 is a bottom plan thereof;
FIG. 7 is a first perspective view thereof;
FIG. 8 is a second perspective view thereof; and,
FIG. 9 is a perspective view showing another position thereof to be used.

1 Claim, 7 Drawing Sheets



(58) **Field of Classification Search**
 CPC .. B60N 2/44; B29C 44/18; H02G 3/18; F16C
 21/00; E05D 3/00; E05D 3/06
 See application file for complete search history.

(56) **References Cited**

U.S. PATENT DOCUMENTS

3,673,635	A *	7/1972	Cencioni	E05D 3/06 16/358
3,986,218	A *	10/1976	Mizelle	A47C 17/16 5/43
4,678,232	A *	7/1987	Ishida	B60N 2/4817 297/391
5,033,160	A *	7/1991	Salice	E05D 3/06 16/240
6,079,776	A *	6/2000	Breitner	B60N 2/4838 297/216.12
6,345,679	B1 *	2/2002	Sasaki	B60R 21/38 180/271
6,687,932	B1 *	2/2004	Bangert	A47C 20/041 5/617
D717,633	S *	11/2014	Lu	D8/323
D719,434	S *	12/2014	Lu	D8/323
D744,808	S *	12/2015	Lu	D8/323
D758,164	S *	6/2016	Lu	D8/323
2002/0093231	A1 *	7/2002	Estrada	B60N 2/4885 297/216.12
2003/0218113	A1 *	11/2003	Sullivan	F16M 11/22 248/346.07

2004/0103476	A1 *	6/2004	Barcesat	A47C 20/041 5/618
2004/0194213	A1 *	10/2004	Weinman	A61G 7/015 5/618
2010/0127542	A1 *	5/2010	Nishiura	B60N 2/4817 297/217.3
2014/0259388	A1 *	9/2014	Manson	A61G 7/053 5/37.1
2016/0088945	A1 *	3/2016	Lu	A47C 7/38 297/463.1
2016/0227934	A1 *	8/2016	Lu	F16H 21/44

OTHER PUBLICATIONS

Sofa Hinge (WH-0305), posted at Made-in-china.com, posting date Mar. 8, 2011, [online], [site visited Sep. 1, 2016]. Available from Internet, <URL: <http://www.made-in-china.com/showroom/product-images/China-Sofa-Hinge-WH-0305--253ZWlob25nY-MbkJKyCwSVF.html>>.*

Furniture Hardware/Sofa Hinge (WH-0246), posted at Made-in-china.com, posting date Mar. 8, 2011, [online], [site visited Sep. 1, 2016]. Available from Internet, <URL: <http://www.made-in-china.com/showroom/product-images/China-Furniture-Hardware-Sofa-Hinge-WH-0246-253ZWlob25nY-zMznmdlThbcr.html>>.*

Sofa headrest and hinge, posted at Taibobo.com, posting date Apr. 7, 2011, [online], [site visited Sep. 1, 2016]. Available from Internet, <URL: <http://www.taibobo.com/selling-leads/17517/sofa-headrest-and-hinge.html>>.*

* cited by examiner

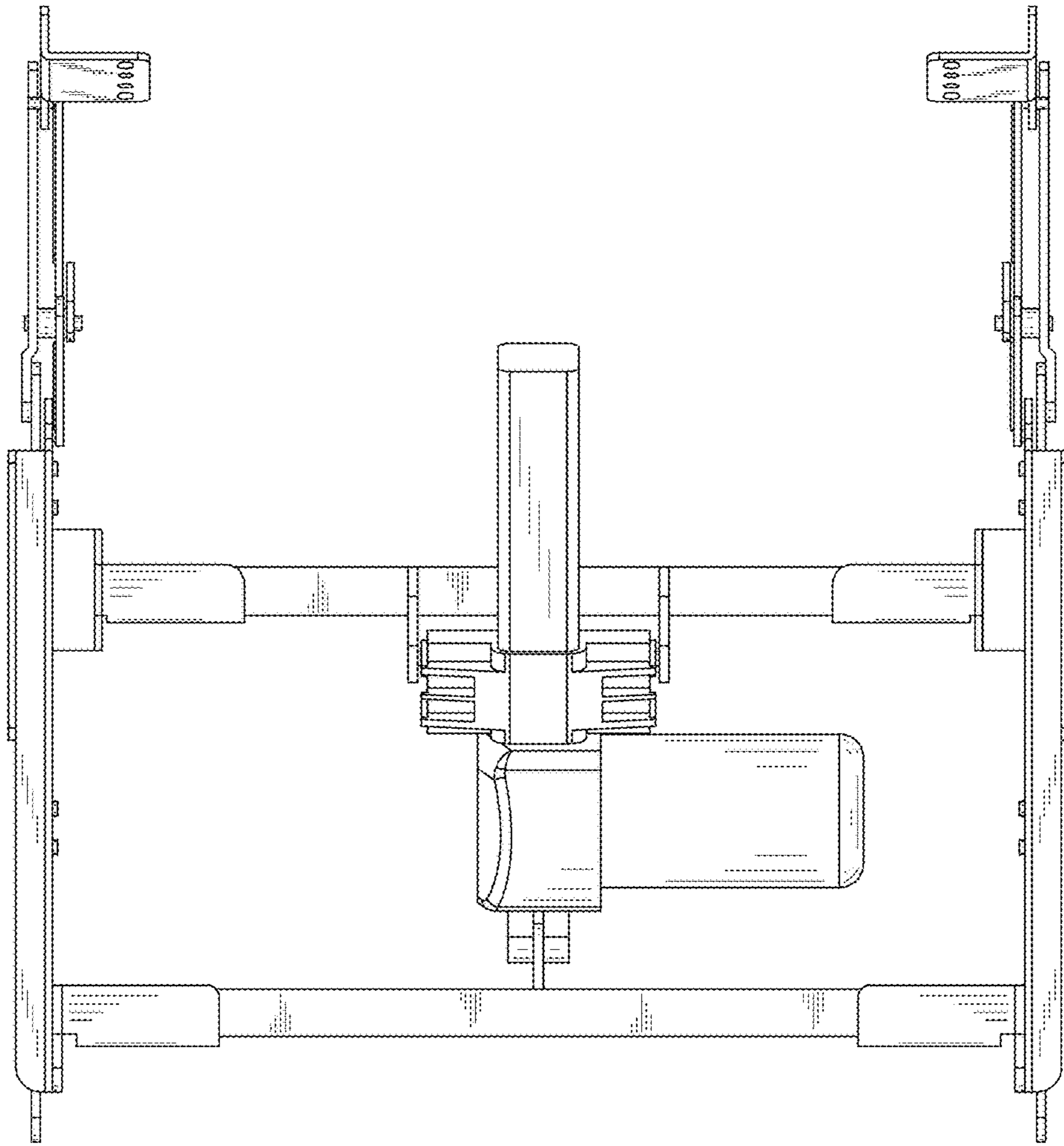


FIG.1

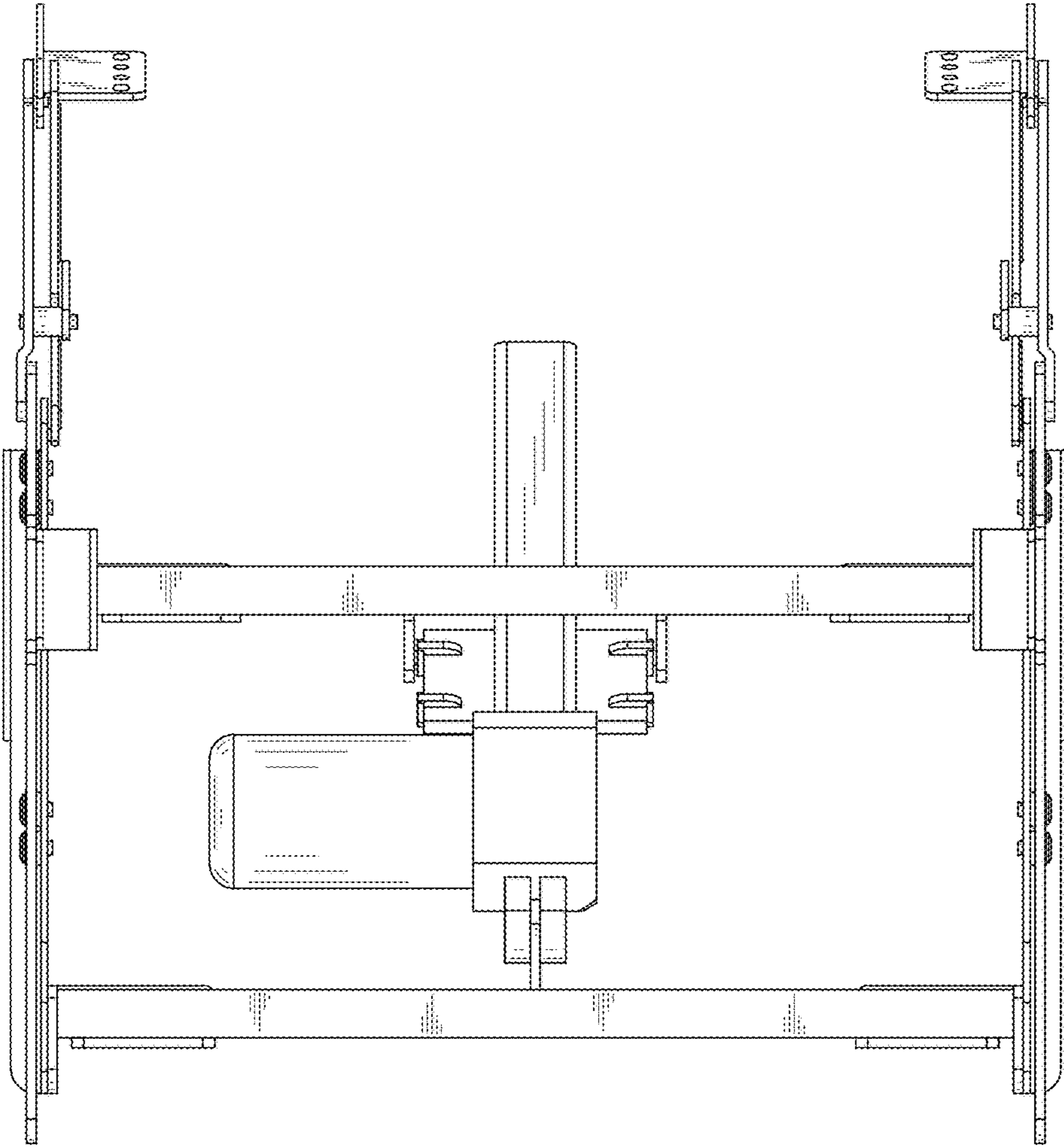


FIG.2

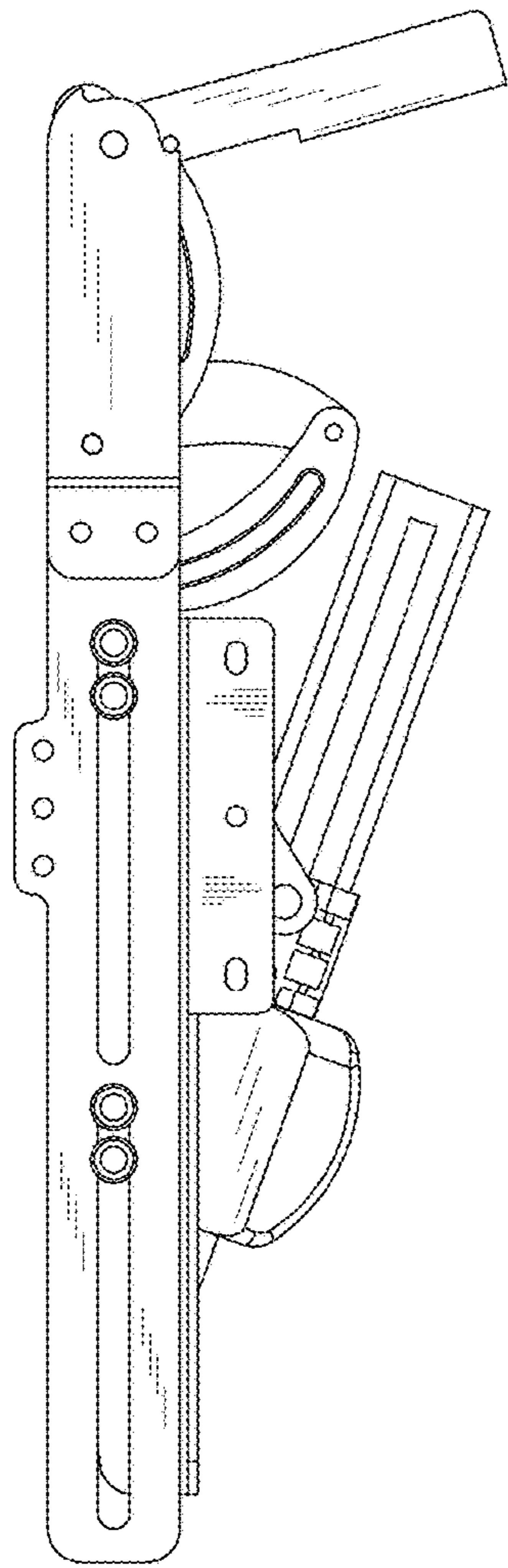


FIG. 3

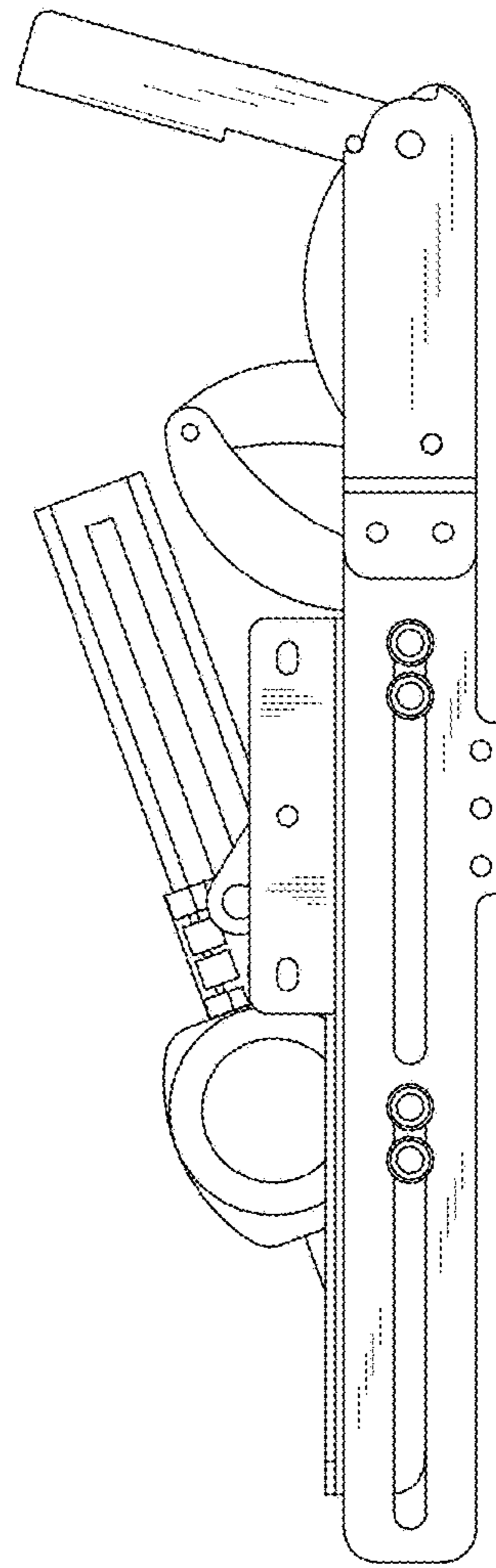


FIG. 4

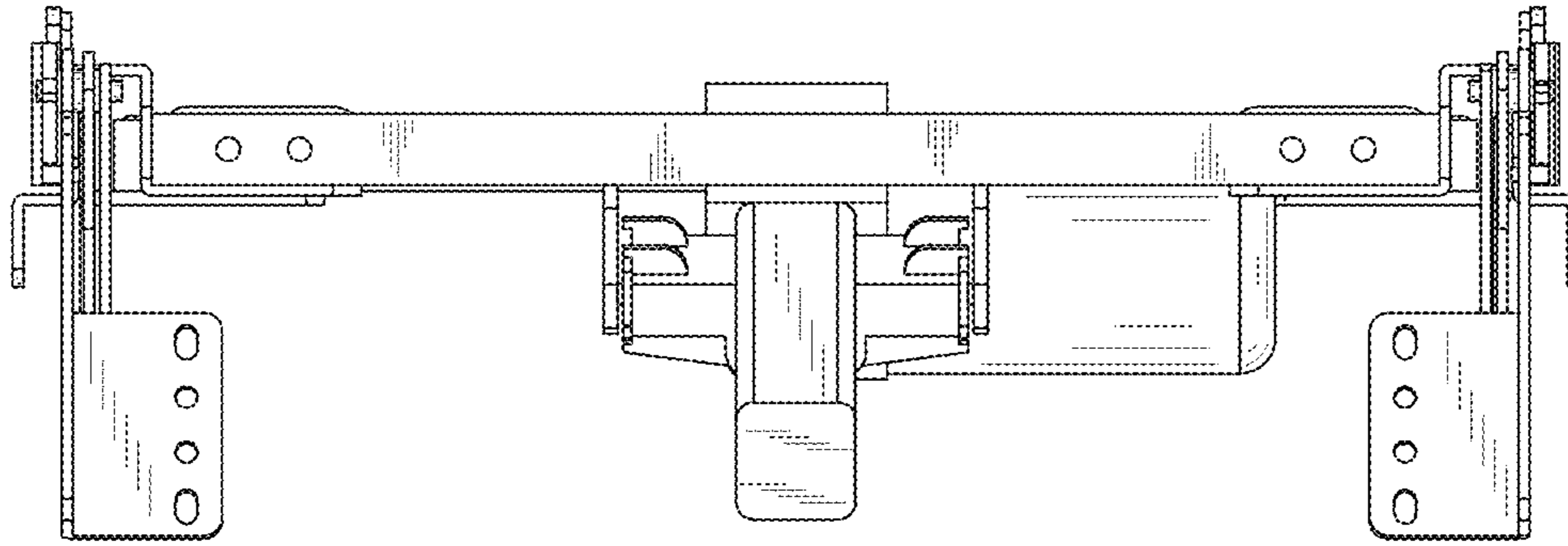


FIG. 5

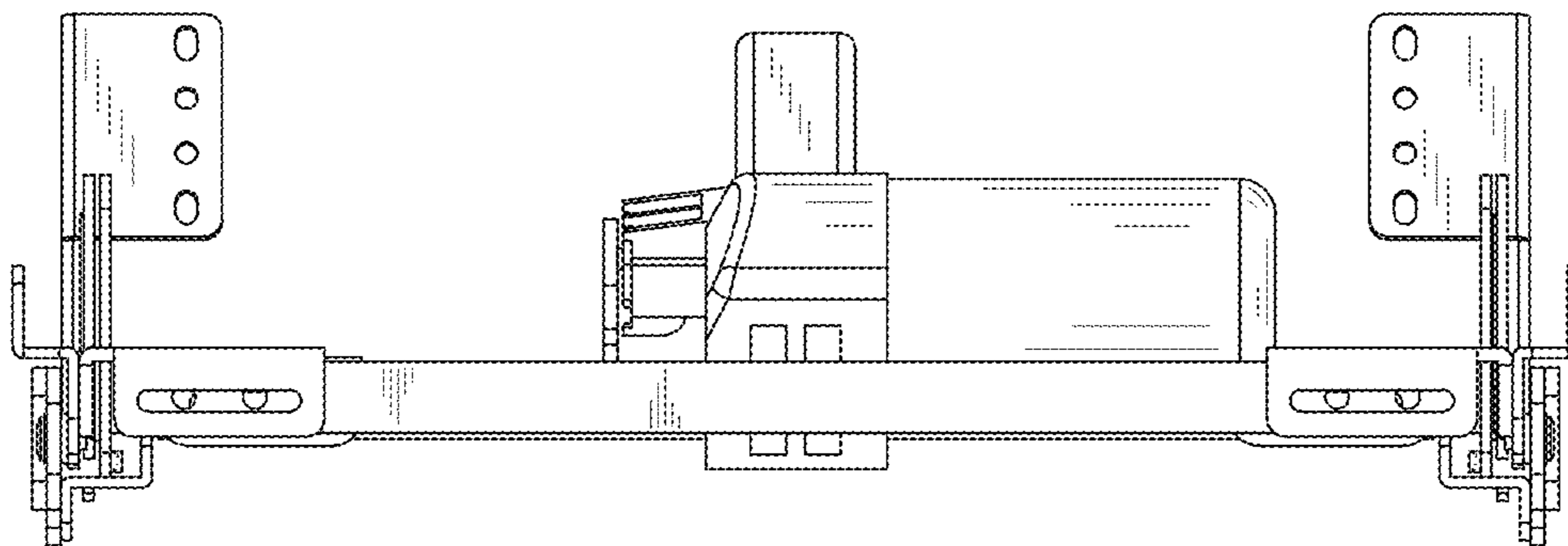


FIG. 6

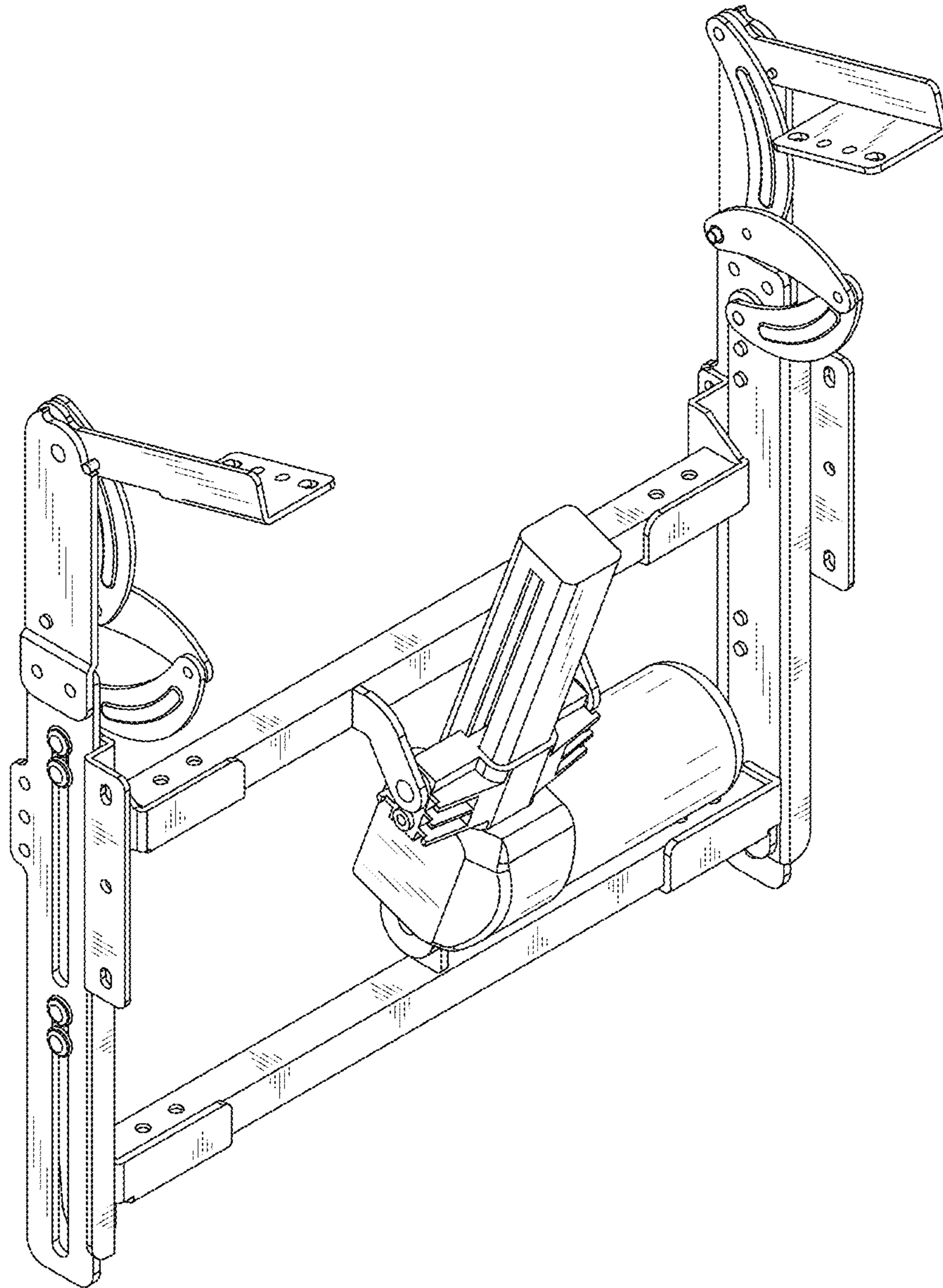


FIG. 7

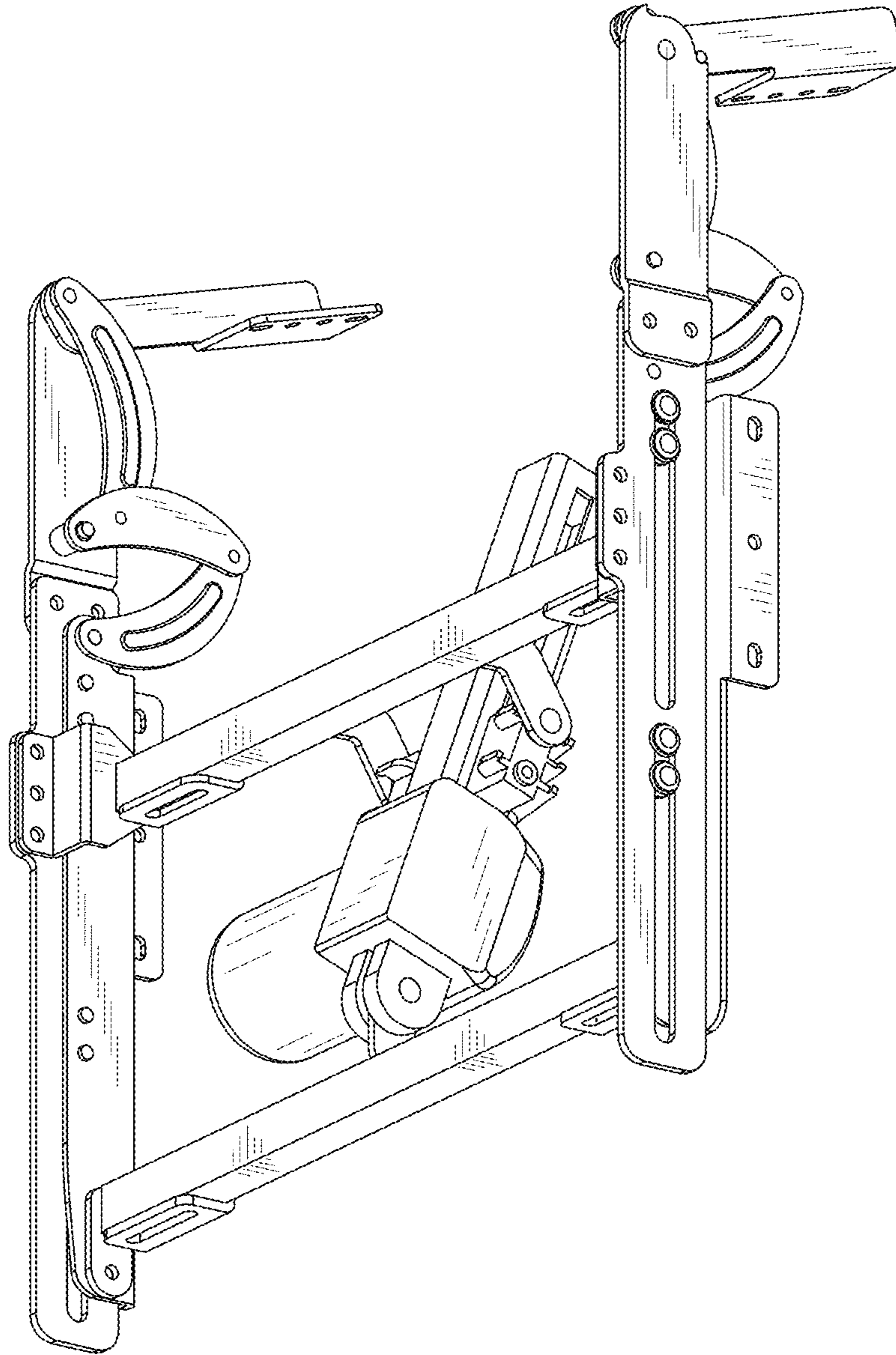


FIG.8

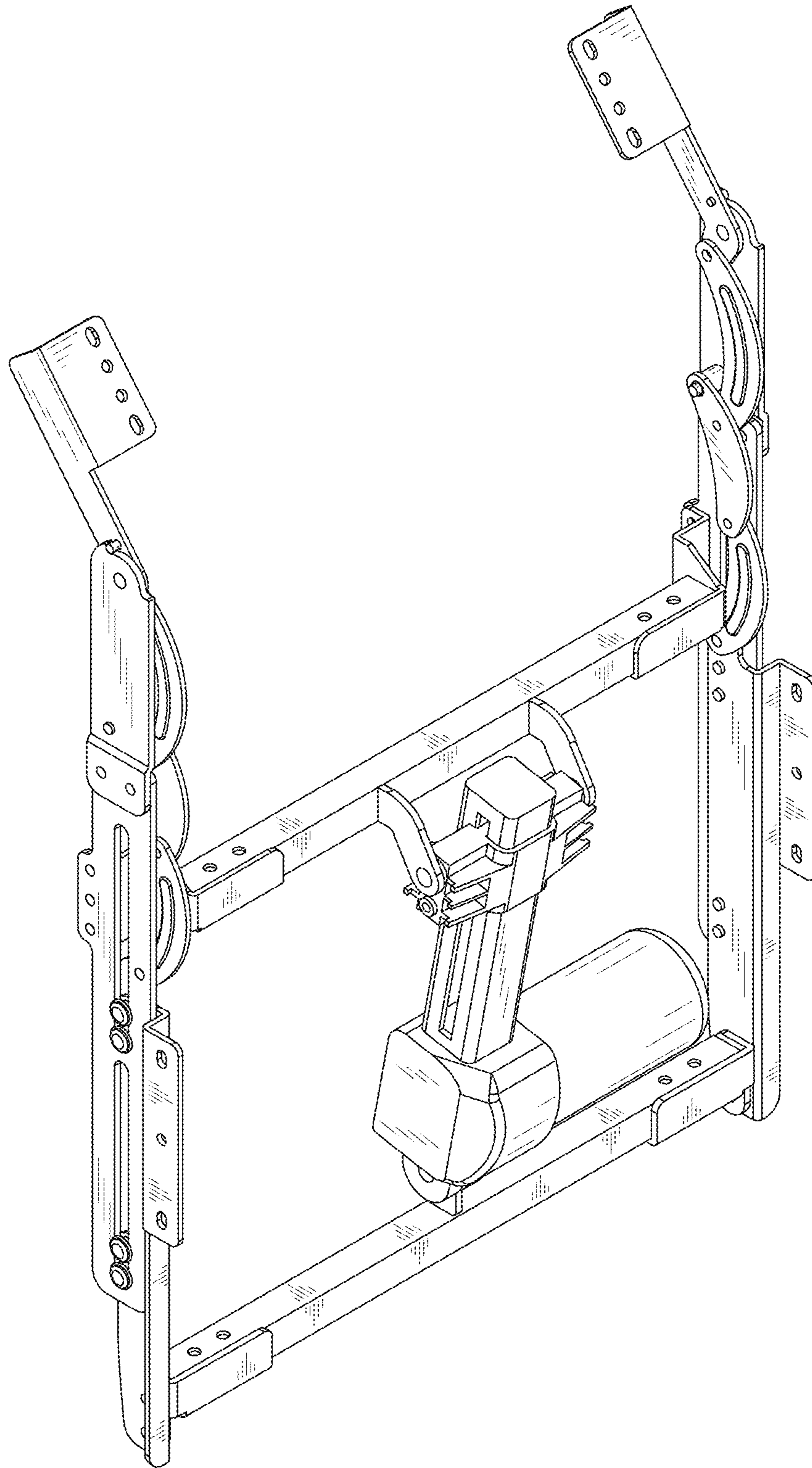


FIG.9