

US00D782832S

(12) **United States Design Patent**
Macias et al.

(10) **Patent No.:** **US D782,832 S**

(45) **Date of Patent:** **** Apr. 4, 2017**

(54) **JEWELRY HANGER**

(71) Applicants: **Tammi Sue Macias**, Worth, IL (US);
Ralph Richard Macias, Dyer, IN (US)

(72) Inventors: **Tammi Sue Macias**, Worth, IL (US);
Ralph Richard Macias, Dyer, IN (US)

(**) Term: **15 Years**

(21) Appl. No.: **29/556,482**

(22) Filed: **Mar. 1, 2016**

(51) **LOC (10) Cl.** **06-08**

(52) **U.S. Cl.**
USPC **D6/315**

(58) **Field of Classification Search**
USPC D6/315-328; 223/85-98; 211/10, 13.1,
211/85.3, 86.01, 87.01, 113, 119
CPC A47G 25/28; A47G 25/38; A47G 25/14;
A47G 25/442; A47G 25/483; A47G
25/485; A47G 25/4023; Y10S 223/04;
A47F 5/0006
See application file for complete search history.

(56) **References Cited**

U.S. PATENT DOCUMENTS

2,681,754 A * 6/1954 Lefton A47G 25/60
223/86
D191,557 S * 10/1961 Oliver 223/DIG. 1
D191,647 S * 10/1961 Seeger 211/85.3
3,081,881 A * 3/1963 Seeger A47G 25/743
211/113

D204,342 S * 4/1966 Larkin 223/85
D264,911 S * 6/1982 Annis D6/316
4,966,287 A * 10/1990 Snyder A45C 11/16
211/113
D367,768 S * 3/1996 Wagner D6/319
D543,367 S * 5/2007 Sack D6/315
D598,206 S * 8/2009 Gouldson D6/318
9,215,943 B1 * 12/2015 Varghese-Abraham A47F 7/022
2005/0023310 A1 * 2/2005 Noda A47G 25/1407
223/93

* cited by examiner

Primary Examiner — Derrick Holland
Assistant Examiner — Lauren Calve
(74) *Attorney, Agent, or Firm* — Dunlap Bennett &
Ludwig PLLC

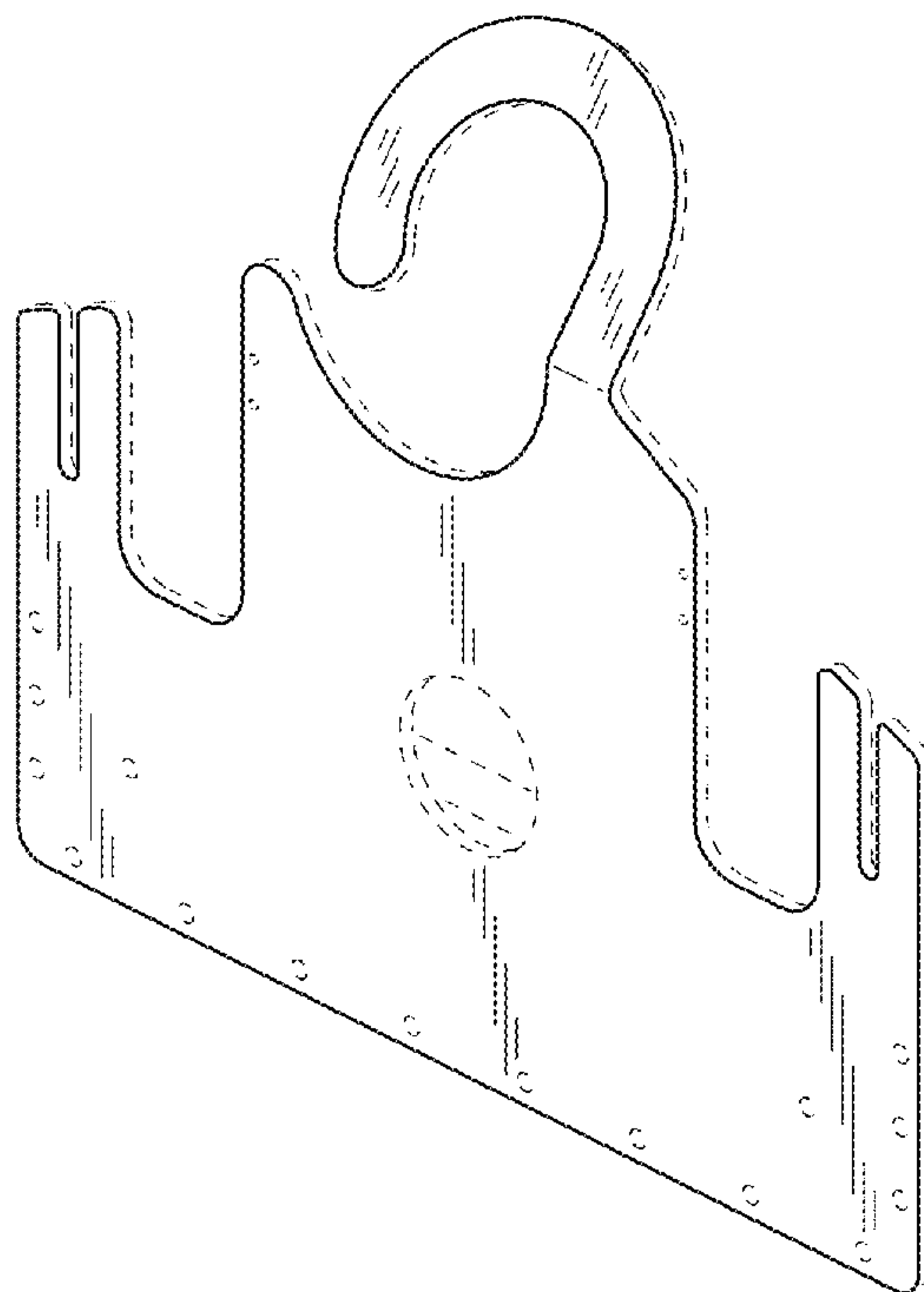
(57) **CLAIM**

The ornamental design for a jewelry hanger, as shown and described.

DESCRIPTION

FIG. 1 is a front perspective view of a jewelry hanger;
FIG. 2 is a front elevation view thereof;
FIG. 3 is a rear elevation view thereof;
FIG. 4 is a left side elevation view thereof;
FIG. 5 is a right side elevation view thereof;
FIG. 6 is a top plan view thereof;
FIG. 7 is a bottom plan view thereof; and,
FIG. 8 is a front perspective view thereof shown in use.
The broken lines shown represent unclaimed subject matter and form no part of the claimed design.

1 Claim, 4 Drawing Sheets



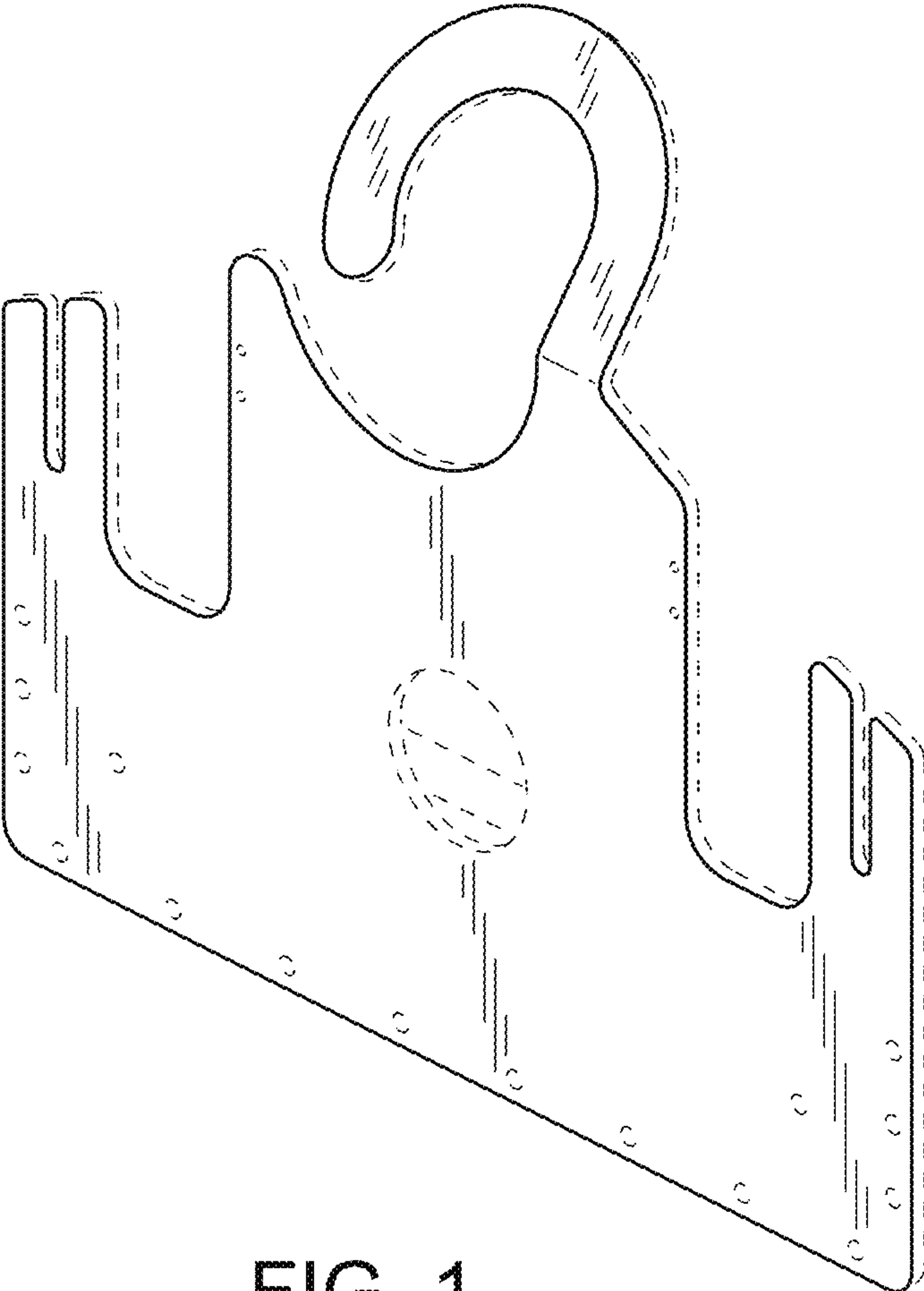


FIG. 1

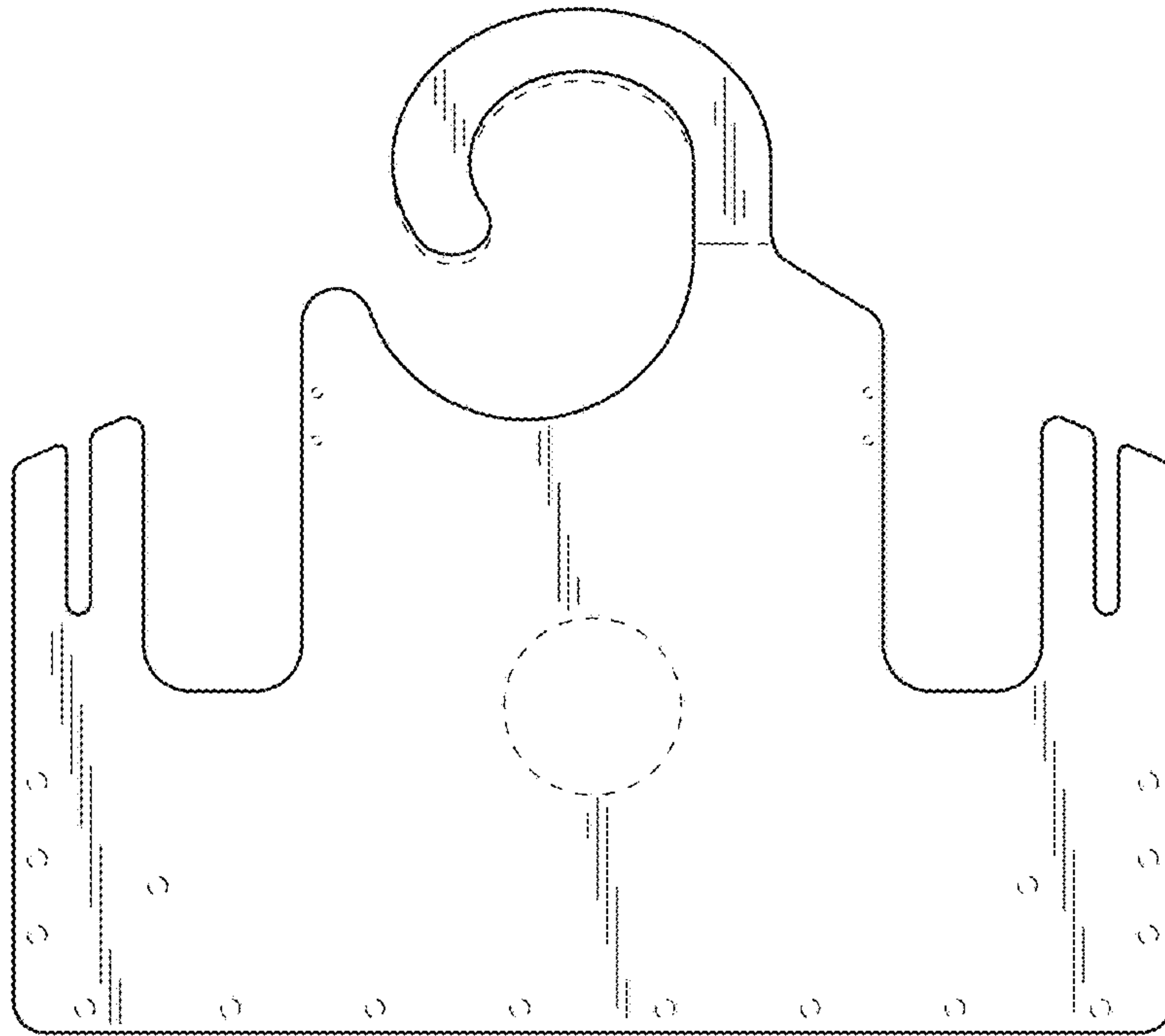


FIG. 2

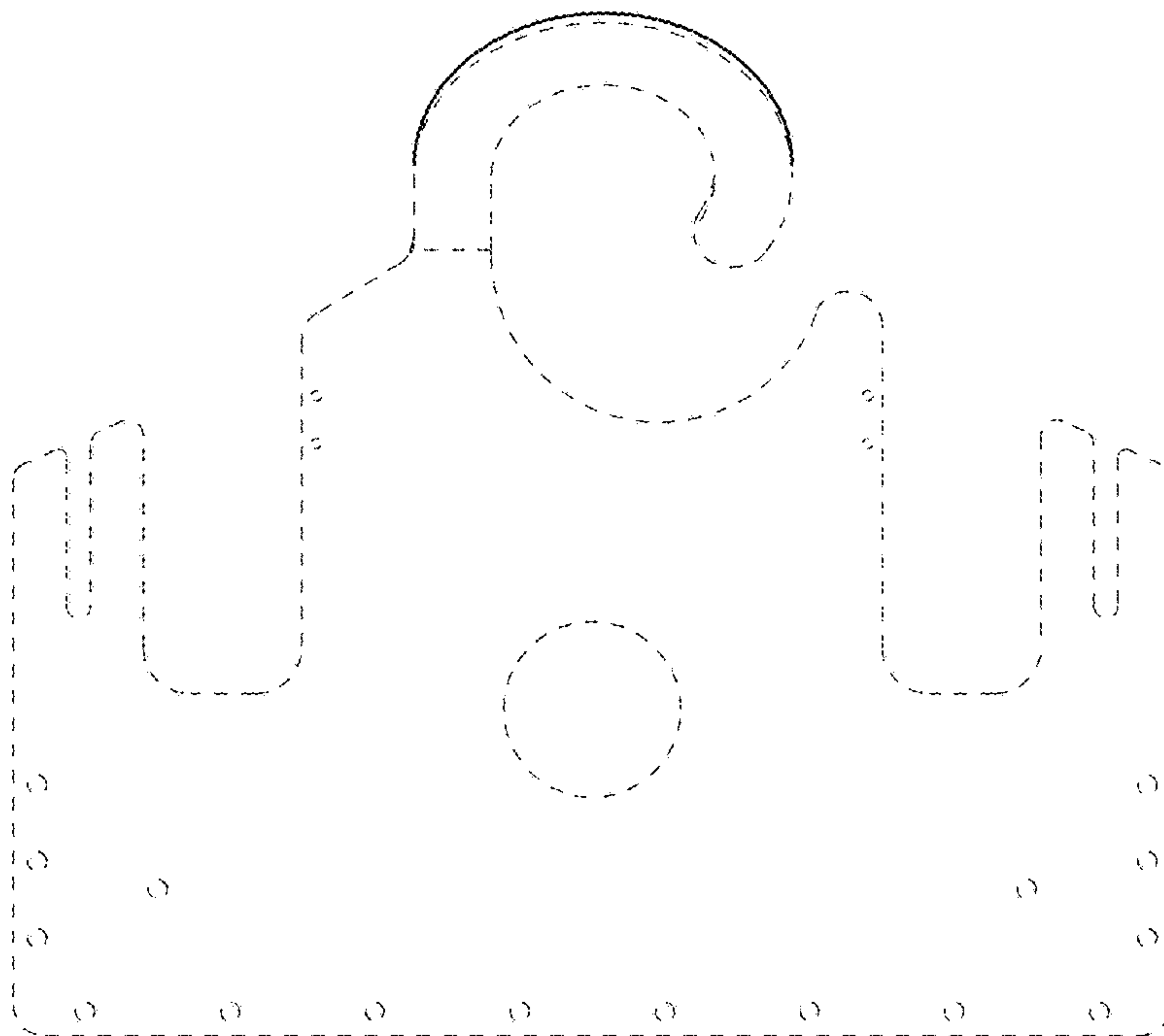
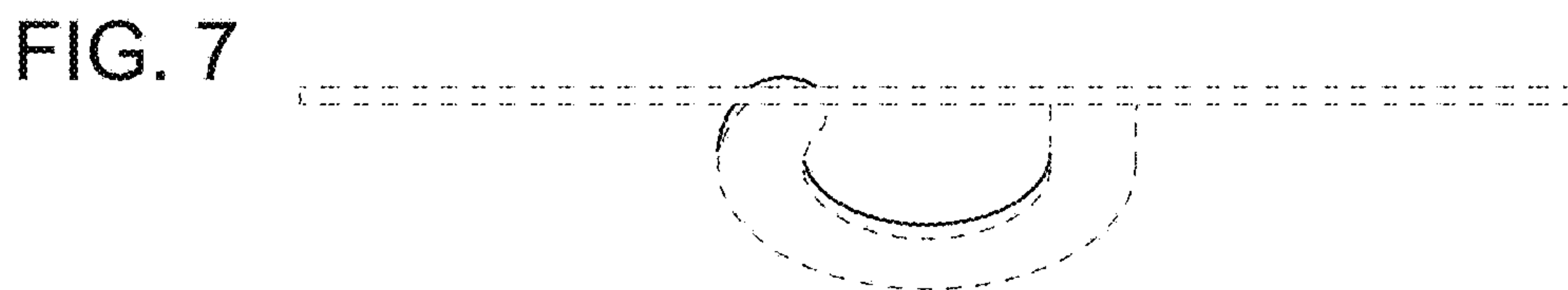
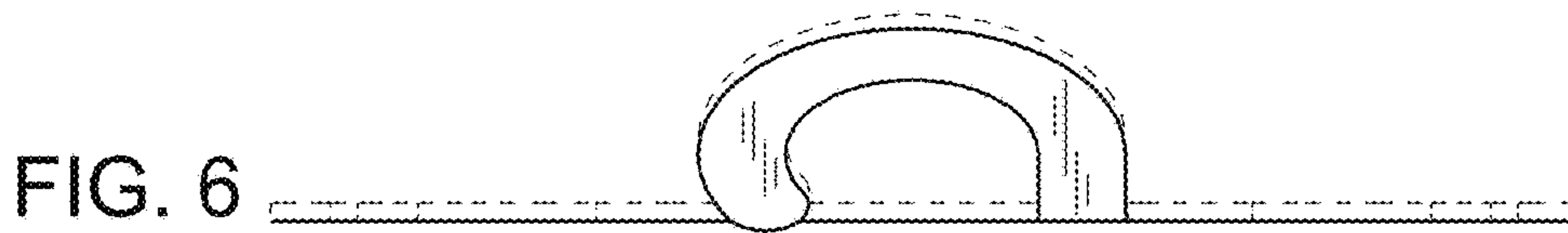
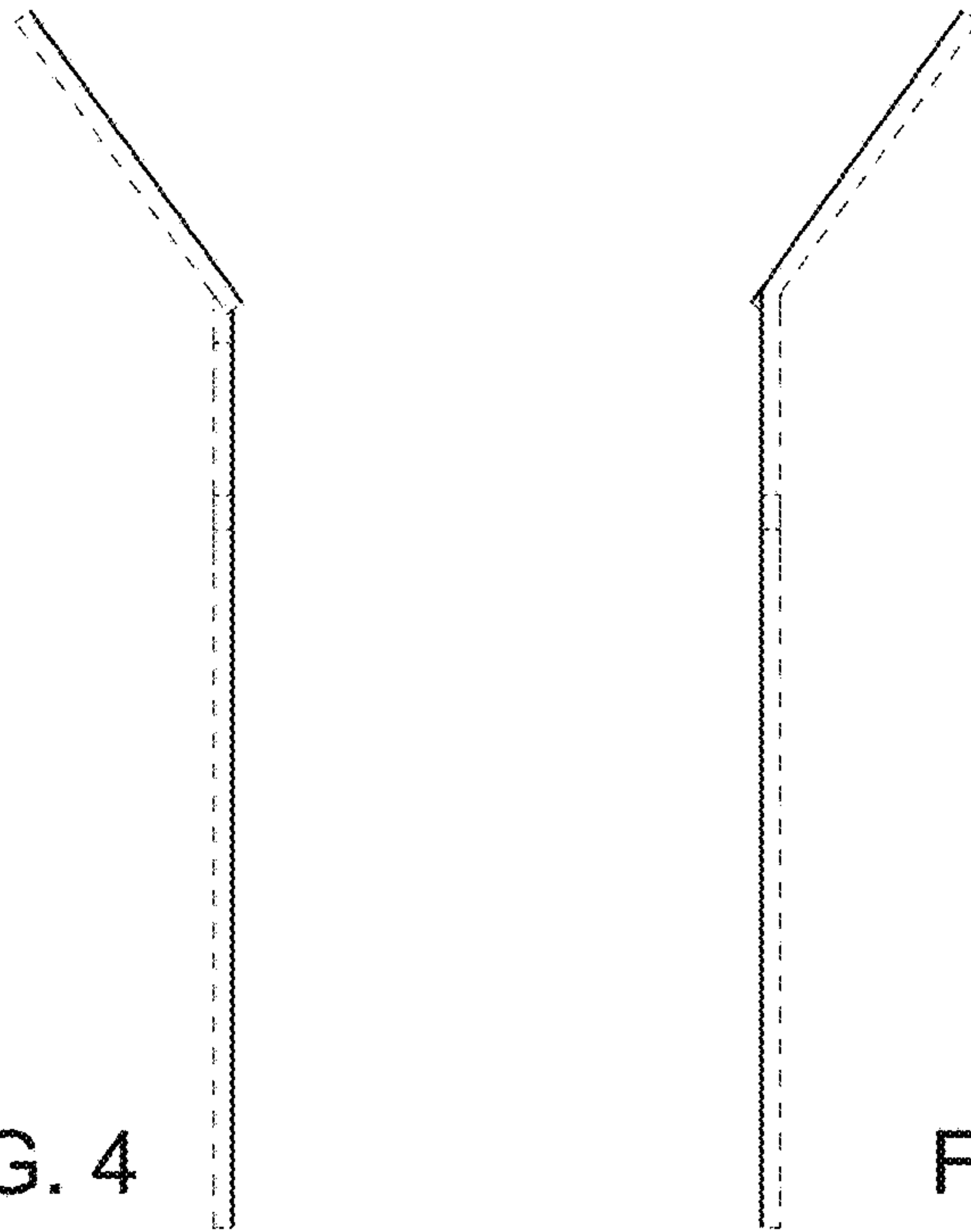


FIG. 3



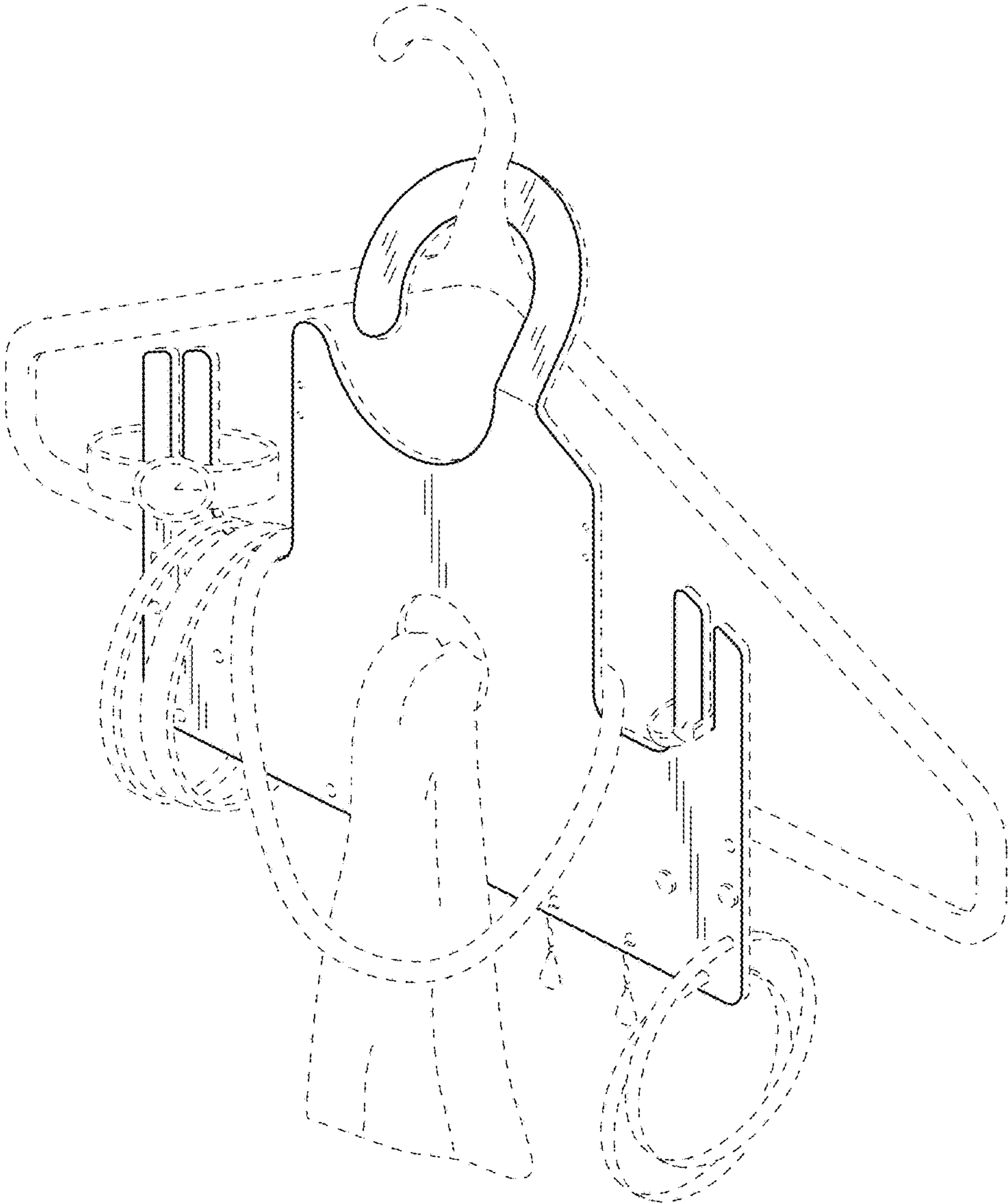


FIG. 8