



US00D782826S

(12) **United States Design Patent**  
**Kim et al.**

(10) **Patent No.: US D782,826 S**  
(45) **Date of Patent: \*\* Apr. 4, 2017**

(54) **PORTION OF A MAKE-UP BRUSH**

2200/3006; A46B 2200/3013; A46B  
2200/3033; A46B 2200/3093

See application file for complete search history.

(71) Applicant: **NEXAGEN CORP.**, Cerritos, CA (US)

(72) Inventors: **Edward Kim**, Cerritos, CA (US);  
**Guang Zhen Liu**, Yingkou (CN)

(56) **References Cited**

U.S. PATENT DOCUMENTS

D249,600 S \* 9/1978 Bowman ..... D4/135  
D450,930 S \* 11/2001 Mink ..... D4/135  
D450,931 S \* 11/2001 Mink ..... D4/135

(Continued)

(73) Assignee: **Nexagen Corp.**, Cerritos, CA (US)

(\*\*) Term: **15 Years**

FOREIGN PATENT DOCUMENTS

(21) Appl. No.: **29/576,631**

FR WO 2010004207 A2 \* 1/2010 ..... A46B 9/021

(22) Filed: **Sep. 6, 2016**

OTHER PUBLICATIONS

**Related U.S. Application Data**

BDHD, Maestro 788V BDHD Phase III Blending/Concealing  
Brush, as posted at MYQT [online], posting date not available [site  
visited Jan. 00, 2017]. Available from the Internet, <URL: https://  
www.myqt.com.au/products/bdellium-tools-maestro-line-788-  
bdhd-phase-iii-blending-concealing-brush>.\*

(Continued)

(62) Division of application No. 29/528,407, filed on May  
28, 2015, now Pat. No. Des. 768,998.

(51) **LOC (10) Cl.** ..... **04-02**

(52) **U.S. Cl.**  
USPC ..... **D4/127**

*Primary Examiner* — Catheri Oliver-Garcia

*Assistant Examiner* — Rebekah A Caruso

(58) **Field of Classification Search**  
USPC ..... D4/100, 102, 127–135, 138, 199;  
D7/393; D8/47, 75, 82, 83, 107, 300,  
D8/307–313; D9/723–729; D19/100,  
D19/108, 115, 125; D24/200, 211, 214

(74) *Attorney, Agent, or Firm* — Dunlap Bennett &  
Ludwig PLLC

CPC .. A46B 5/00; A46B 5/02; A46B 5/021; A46B  
9/00; A46B 9/02; A46B 9/021; A46B  
9/023; A46B 9/025; A46B 9/026; A46B  
9/028; A46B 11/00; A46B 11/0006; A46B  
11/001; A46B 13/00; A46B 13/001; A46B  
13/02; A46B 13/023; A46B 15/0002;  
A46B 2200/10; A46B 2200/102; A46B  
2200/1033; A46B 2200/104; A46B  
2200/1046; A46B 2200/30; A46B

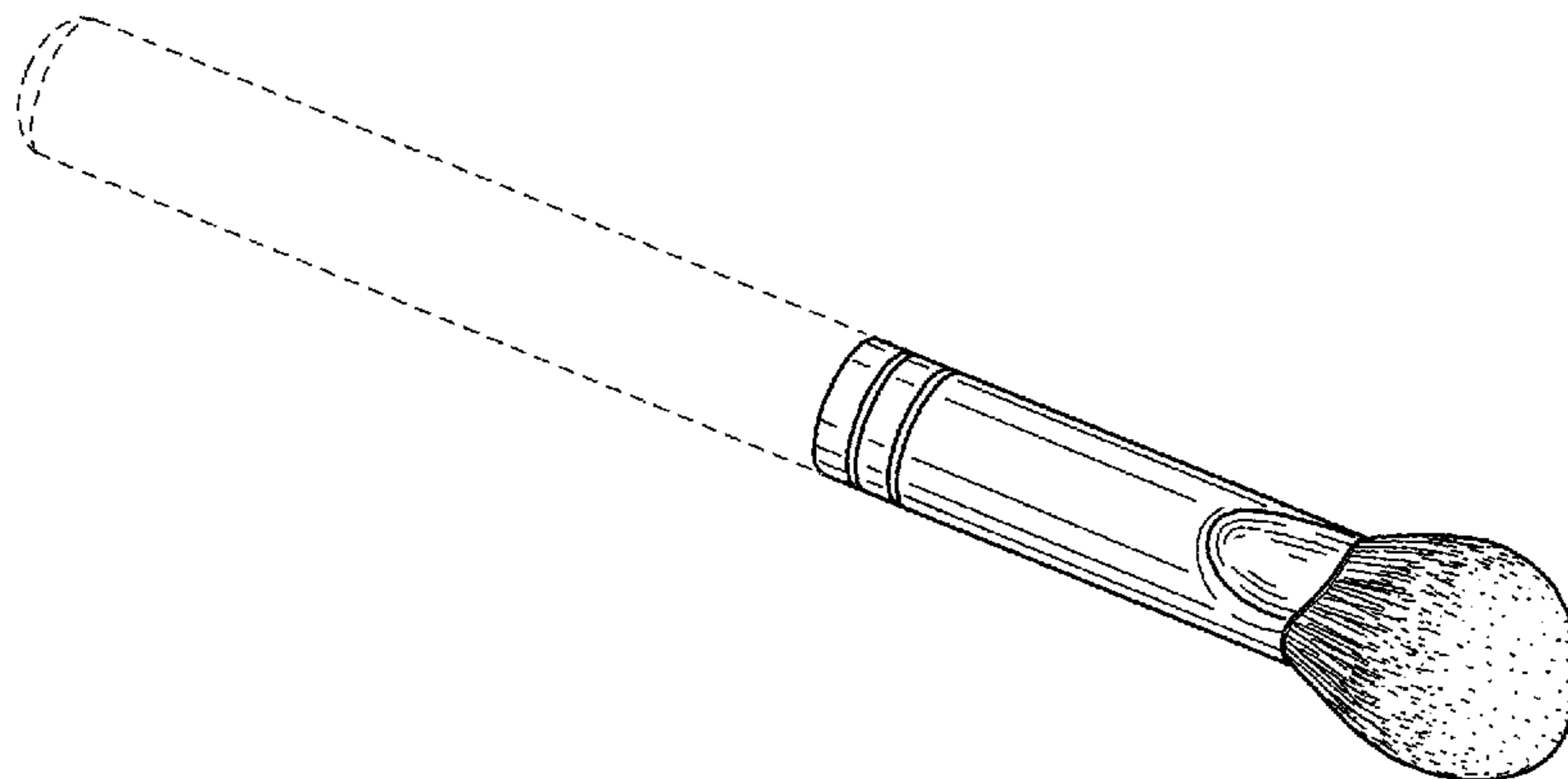
(57) **CLAIM**

The ornamental design for a portion of a make-up brush, as  
shown and described.

**DESCRIPTION**

FIG. 1 is a front perspective view of a make-up brush;  
FIG. 2 is a front elevation view thereof;  
FIG. 3 is a rear elevation view thereof;  
FIG. 4 is a left side elevation view thereof, the right side  
elevation view being a mirror image thereof;  
FIG. 5 is a top plan view thereof; and,  
FIG. 6 is a bottom plan view thereof.

(Continued)



The broken lines shown in the drawings illustrate portions of the portion of a make-up brush that form no part of the claimed design.

**1 Claim, 3 Drawing Sheets**

(56) **References Cited**

U.S. PATENT DOCUMENTS

D452,948	S	*	1/2002	Mink	.....	D4/138
D528,304	S	*	9/2006	Langer	.....	D4/116
D529,719	S	*	10/2006	Langer	.....	D4/116
7,234,474	B2	*	6/2007	Byun	.....	A45D 34/02 132/313
7,416,080	B1	*	8/2008	Langer	.....	A45D 33/00 206/15.2
D718,060	S	*	11/2014	Filho	.....	D4/199
D749,858	S	*	2/2016	Snook	.....	D4/135
D749,859	S	*	2/2016	Snook	.....	D4/135
D756,127	S	*	5/2016	Nicoline	.....	D28/7

OTHER PUBLICATIONS

Zoeva, Rose Golden Brush Set, as posted at Beauty Bay [online], first review posted Oct. 11, 2014 [site visited Apr. 29, 2016]. Available from the Internet, <URL: <http://www.beautybay.com/cosmetics/zoeva/rosegoldenbrushset/>>.\*

\* cited by examiner

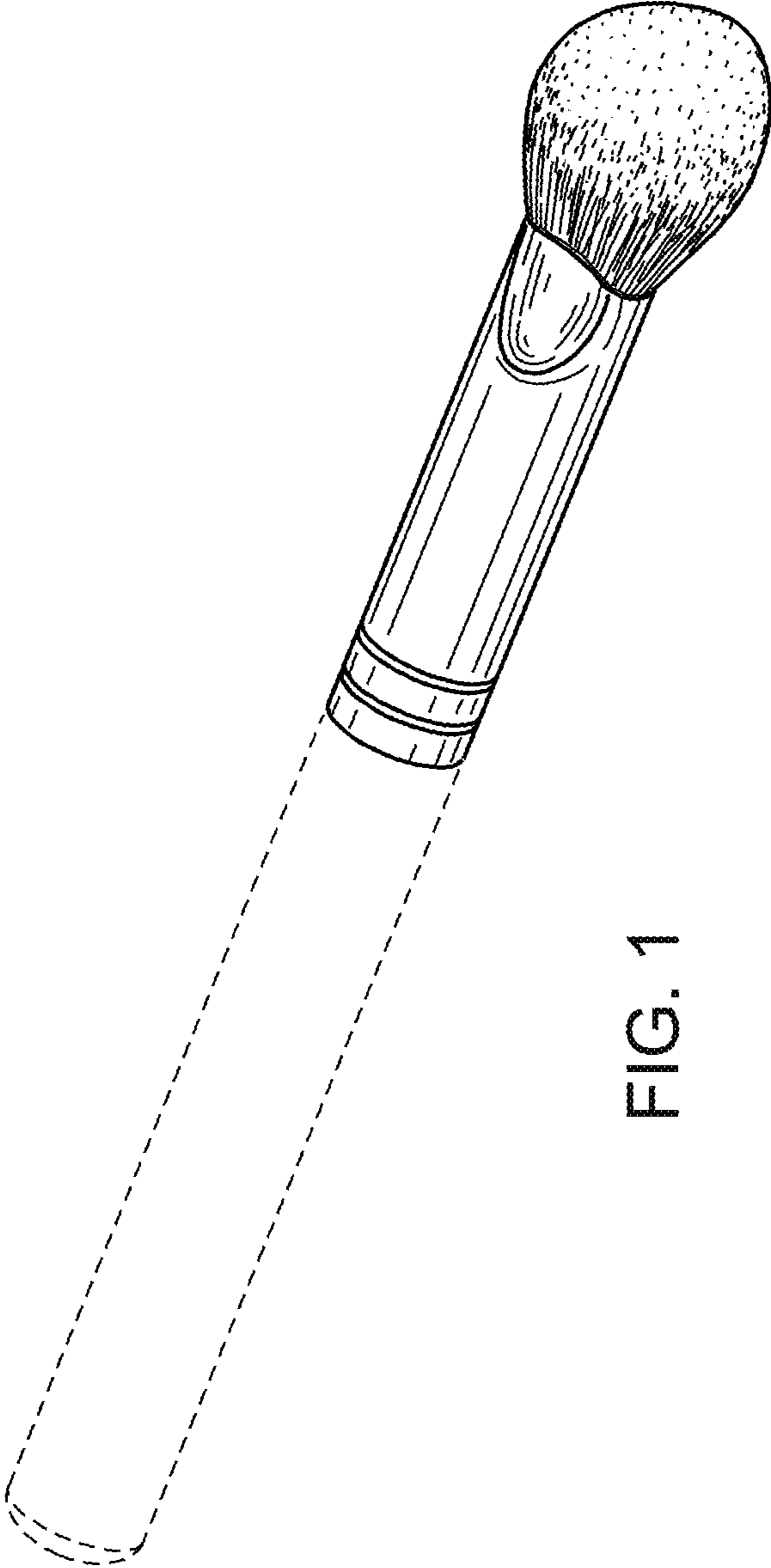


FIG. 1

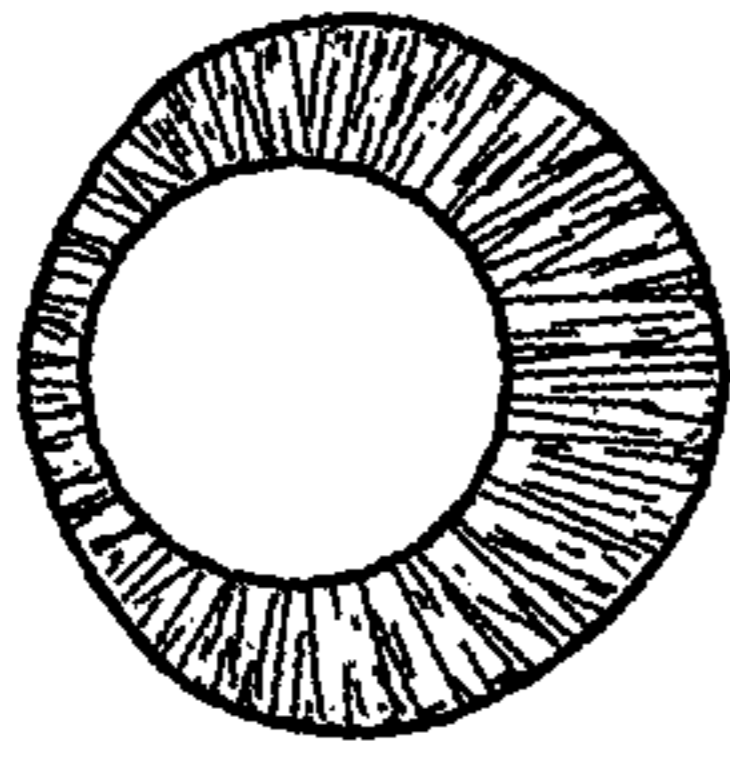


FIG. 2

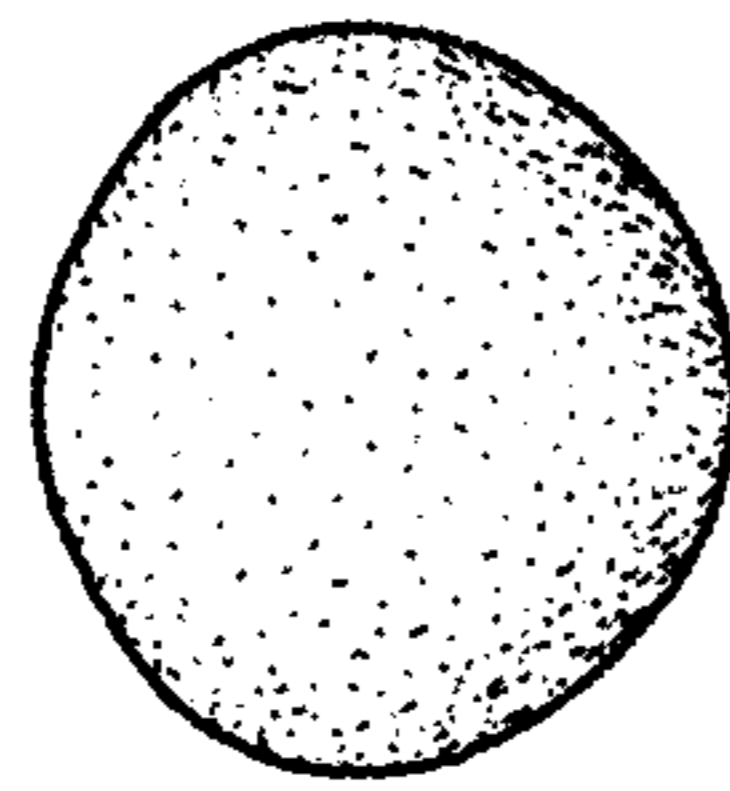


FIG. 3

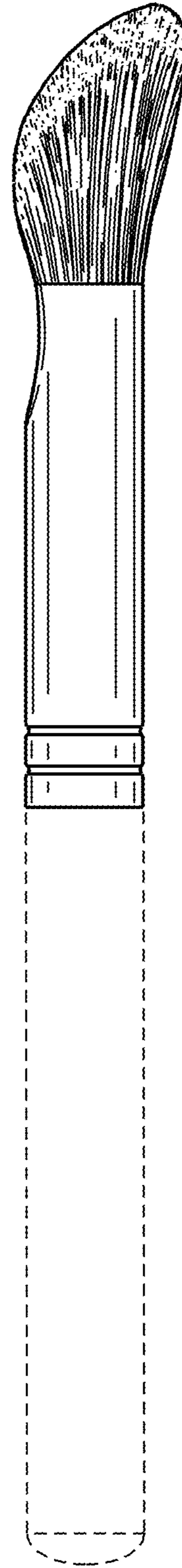


FIG. 4

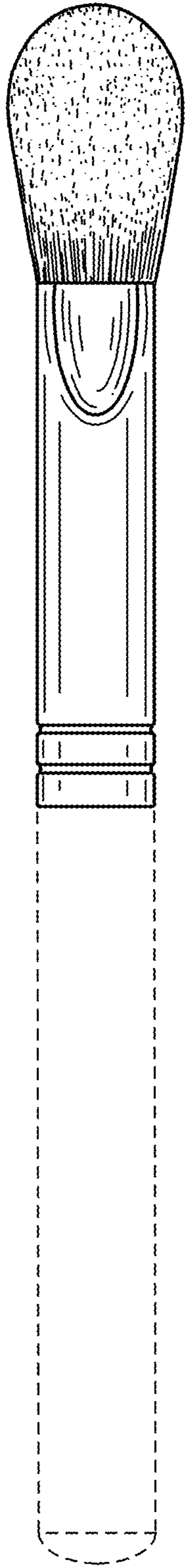


FIG. 5

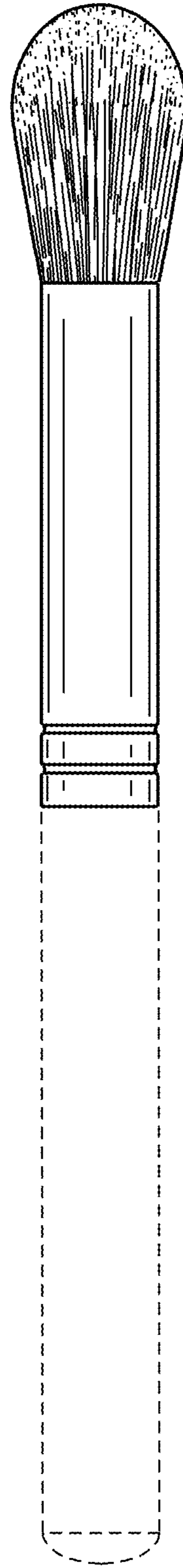


FIG. 6