



US00D782821S

(12) **United States Design Patent**  
**Fiorello**

(10) **Patent No.:** **US D782,821 S**

(45) **Date of Patent:** **\*\* Apr. 4, 2017**

(54) **STORAGE BAG**

(71) Applicant: **Kimberly Song Fiorello**, Greenwich,  
CT (US)

(72) Inventor: **Kimberly Song Fiorello**, Greenwich,  
CT (US)

(\*\*) Term: **14 Years**

(21) Appl. No.: **29/525,430**

(22) Filed: **Apr. 29, 2015**

(51) **LOC (10) Cl.** ..... **03-01**

(52) **U.S. Cl.**  
USPC ..... **D3/301**

(58) **Field of Classification Search**

USPC ..... D3/234, 255, 271.9, 320, 256, 262, 279,  
D3/299, 301, 303, 318, 319, 273, 289,  
D3/292, 294-296, 232, 244; D9/420, 424  
CPC .. A45C 1/00; A45C 1/02; A45C 1/024; A45C  
1/08; A45C 3/00; A45C 3/10; A45C  
2003/001; A45C 2011/003; A45C 5/00;  
A45C 7/00; A45C 7/0018; A45C 7/0054;  
A45C 7/0059; A45C 7/0095; A45C  
2200/00; A45C 13/00; A45C 13/001;  
A45C 13/002; A45C 13/08; A45C 11/24;  
A45F 3/00; A45F 3/02; A45F 3/04; A45F  
3/06; A45F 2003/001; A45F 2003/002;  
A45F 2003/006; A45F 2200/00; A45F  
2200/0525

See application file for complete search history.

(56) **References Cited**

**U.S. PATENT DOCUMENTS**

4,186,786 A \* 2/1980 Kirkpatrick ..... B65D 33/255  
383/63  
D265,149 S \* 6/1982 Romano ..... D3/303

D344,407 S \* 2/1994 Derrickson ..... D3/245  
D451,378 S \* 12/2001 Kinigakis ..... D9/709  
D541,667 S \* 5/2007 Pokusa ..... D9/709  
D669,272 S \* 10/2012 Yang ..... D3/303  
D687,717 S \* 8/2013 Ewart ..... D9/707  
D706,539 S \* 6/2014 Hondos ..... D3/303  
D709,701 S \* 7/2014 Coleman ..... D3/303  
D713,644 S \* 9/2014 Johnson ..... D3/303  
D719,346 S \* 12/2014 Thomson ..... D3/206  
D727,027 S \* 4/2015 Winters ..... D3/301  
D755,504 S \* 5/2016 Thomson ..... D3/206

\* cited by examiner

*Primary Examiner* — Sandra Snapp

*Assistant Examiner* — Holly E Thurman

(74) *Attorney, Agent, or Firm* — Dunlap Bennett &  
Ludwig PLLC

(57) **CLAIM**

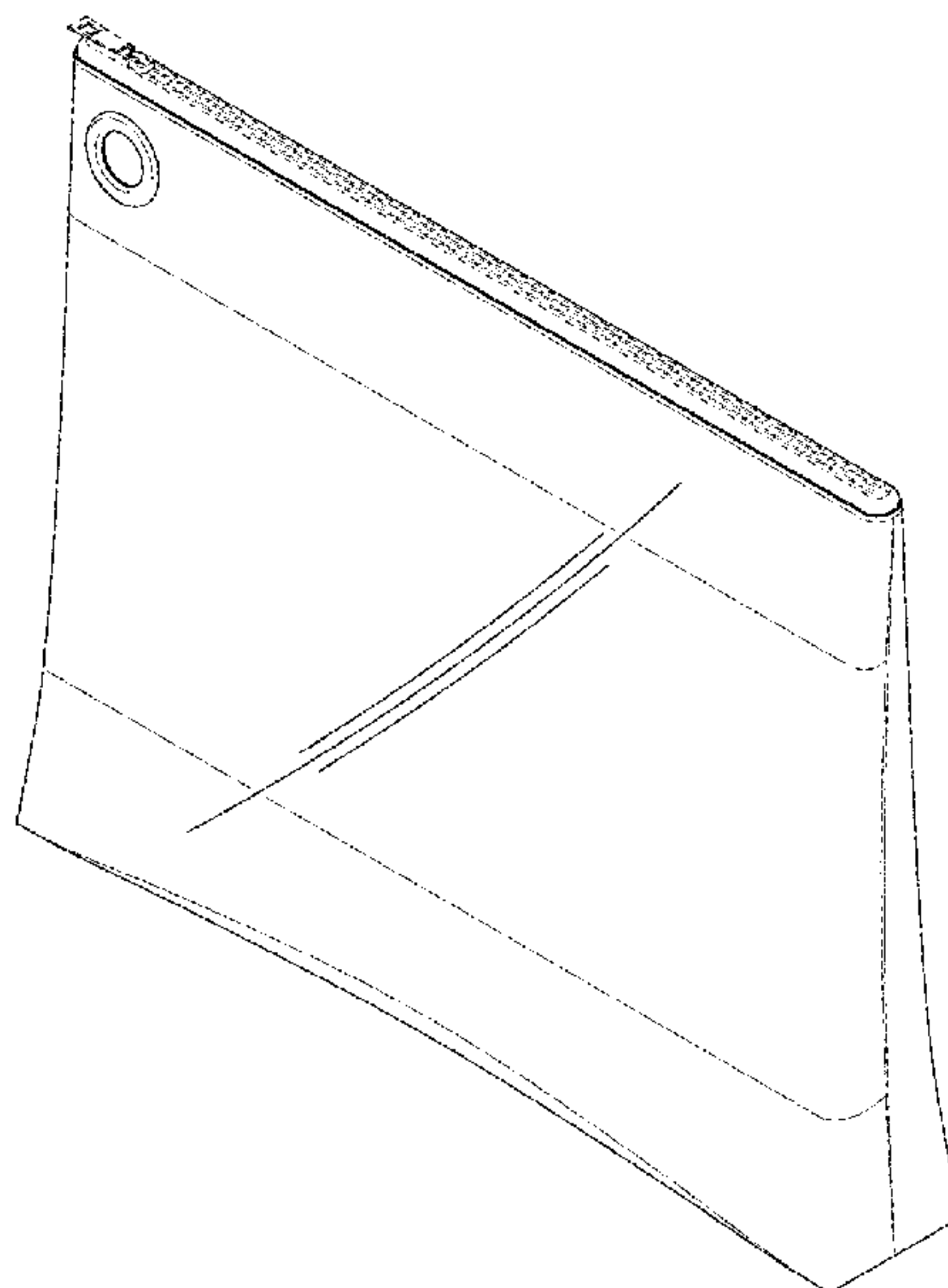
The ornamental design for a storage bag, as shown and described.

**DESCRIPTION**

FIG. 1 is a top front perspective view of a storage bag;  
FIG. 2 is a front elevation view thereof, the rear elevation view being a mirror image thereof without the two horizontal seams;  
FIG. 3 is a left side elevation view thereof; the right side elevation view being a mirror image thereof;  
FIG. 4 is a top plan view thereof;  
FIG. 5 is a bottom plan view thereof; and,  
FIG. 6 is a top plan view of the storage bag shown in an open configuration.

The broken lines shown in the drawings illustrate portions of the storage bag that form no part of the claimed design.

**1 Claim, 3 Drawing Sheets**



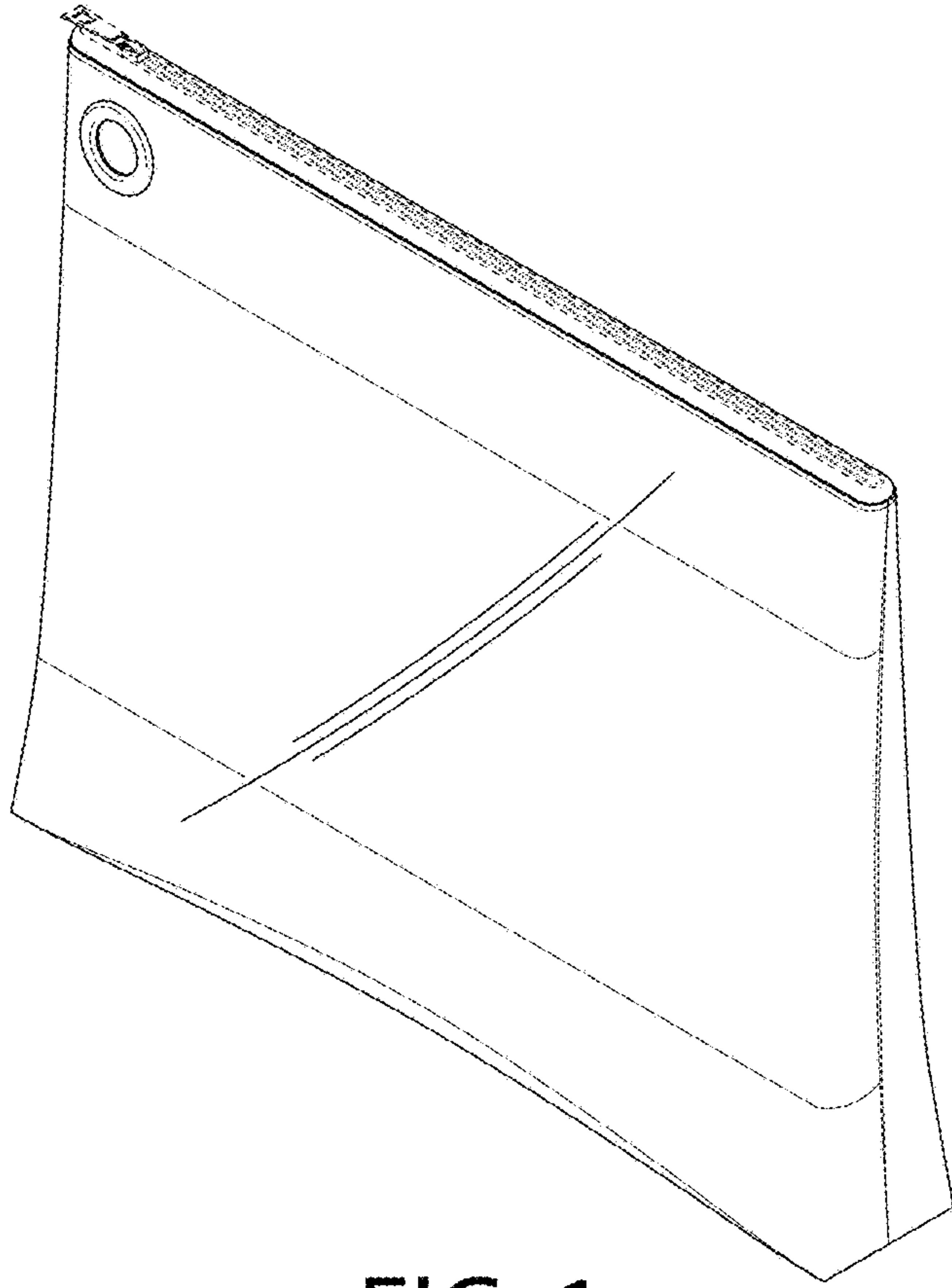


FIG. 1

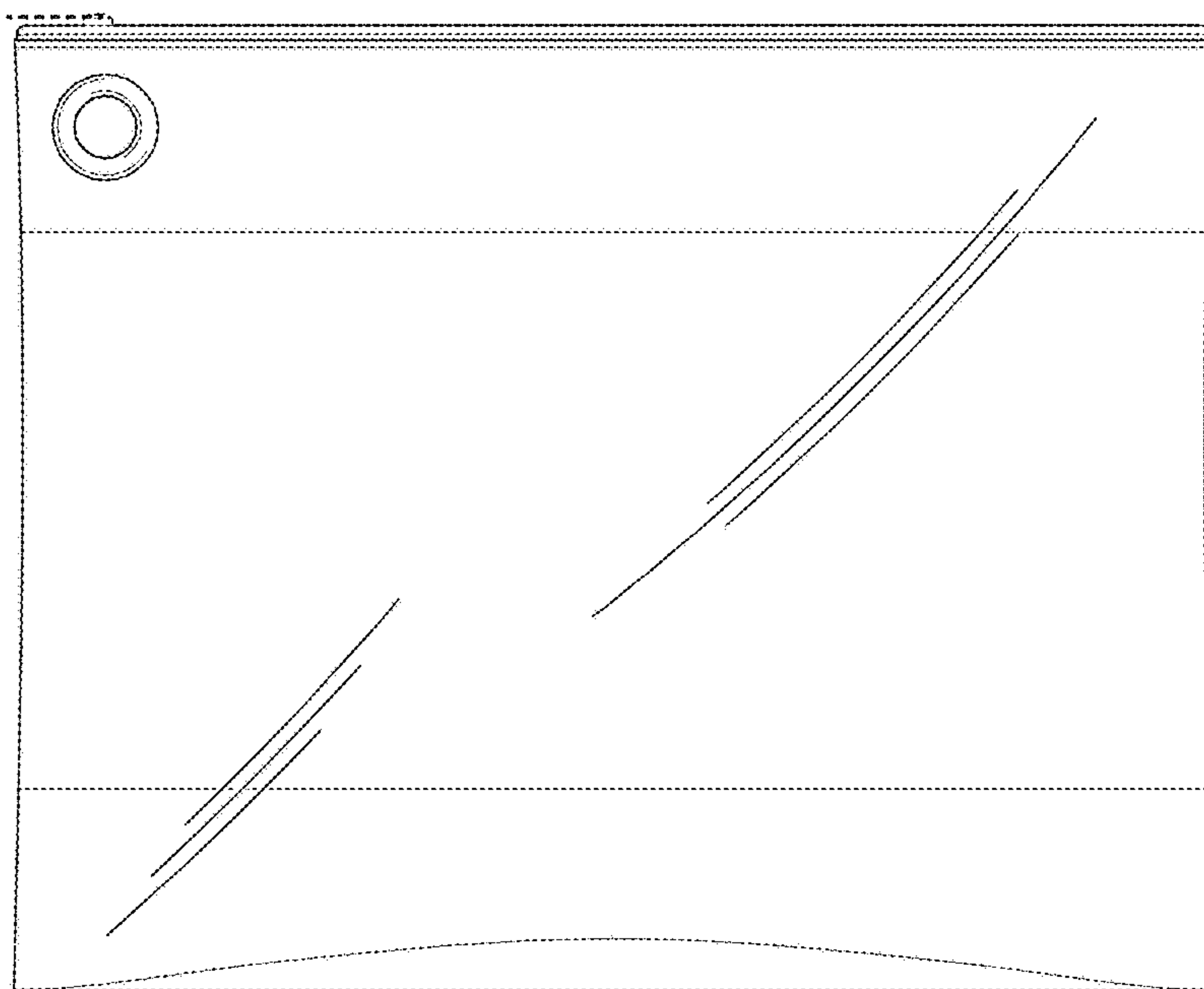


FIG. 2

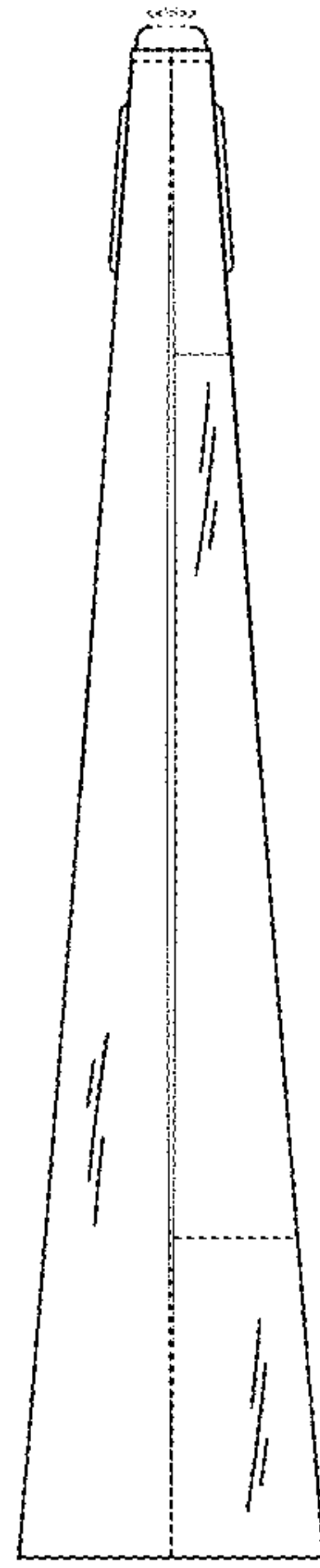


FIG. 3

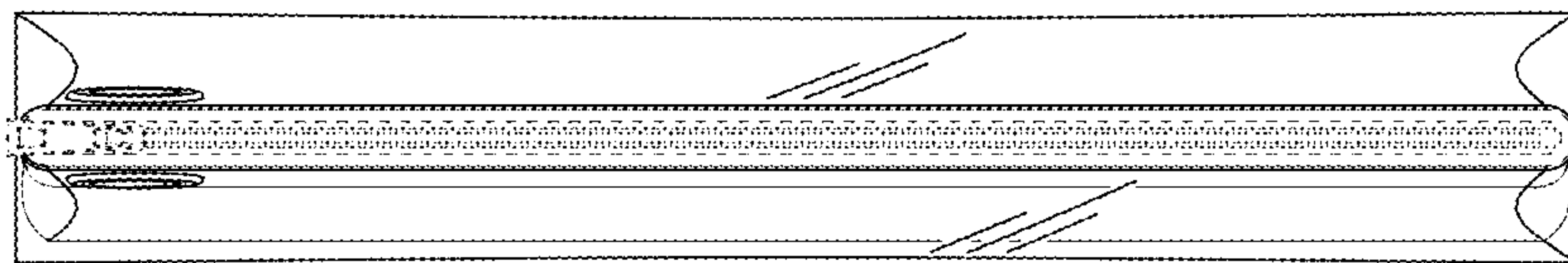


FIG. 4

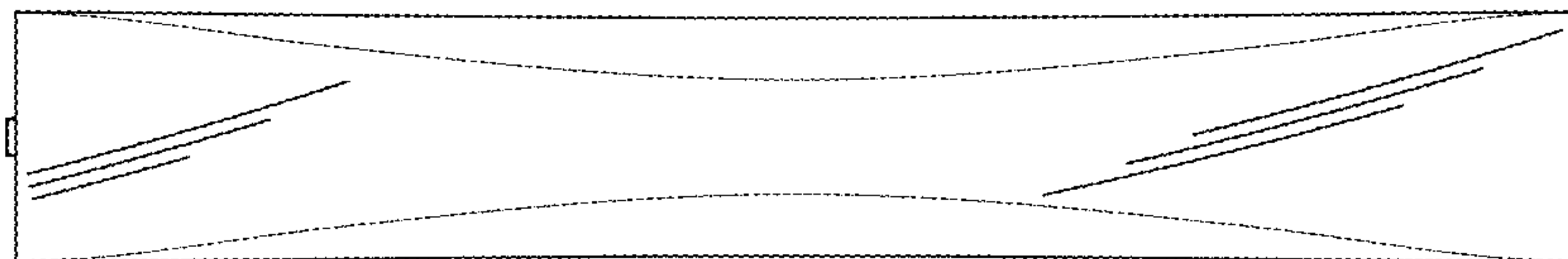


FIG. 5

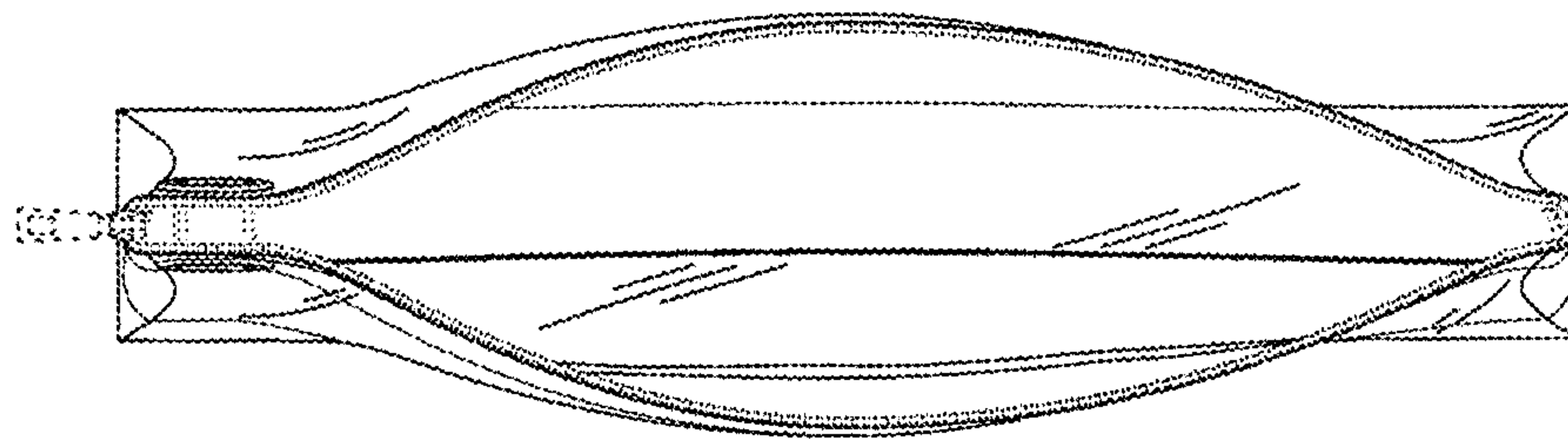


FIG. 6