



US00D782819S

(12) **United States Design Patent**  
**Hamernik**

(10) **Patent No.:** **US D782,819 S**  
(45) **Date of Patent:** **\*\* Apr. 4, 2017**

(54) **AMMO BUCKET**

(71) Applicant: **Michael Hamernik**, San Fernando, CA  
(US)

(72) Inventor: **Michael Hamernik**, San Fernando, CA  
(US)

(73) Assignee: **Hollywood Polymer Technology, Inc.**,  
San Fernando, CA (US)

(\*\*) Term: **15 Years**

(21) Appl. No.: **29/542,705**

(22) Filed: **Oct. 16, 2015**

(51) **LOC (10) Cl.** ..... **03-01**

(52) **U.S. Cl.**  
USPC ..... **D3/262**

(58) **Field of Classification Search**  
USPC ..... D3/201, 221, 225, 262, 272, 276, 315,  
D3/291; D7/605-607  
CPC ..... B65D 45/22; B65D 45/02; B65D 45/32;  
B65D 1/00; B65D 13/00; B65D 15/00;  
B65D 2543/00194; B65D 21/0201; F42B  
39/00-39/30  
See application file for complete search history.

(56) **References Cited**

**U.S. PATENT DOCUMENTS**

- 1,120,244 A \* 12/1914 Sachtleben ..... F42B 39/00  
206/3
- 2,486,949 A \* 11/1949 Hutchison ..... F42B 39/00  
206/3
- 3,039,650 A \* 6/1962 Hoffmann ..... B65D 21/0202  
206/3
- 3,757,933 A \* 9/1973 Banta ..... F42B 39/20  
206/3
- D239,249 S \* 3/1976 Branscum ..... D7/605

- D281,695 S \* 12/1985 Ryan, Jr. .... D7/605
  - D283,480 S \* 4/1986 Bailey ..... D7/605
  - D290,080 S \* 6/1987 Carlson ..... D7/605
- (Continued)

**OTHER PUBLICATIONS**

Vluth, Douglas (Sep. 3, 2007). Ammo Box photo [flickr.com]. Retrieved Jan. 14, 2016, from <https://www.flickr.com/photos/dmuth/1315574208/>.

*Primary Examiner* — Mitchell Siegel  
(74) *Attorney, Agent, or Firm* — Brooks Acordia IP Law, P.C.

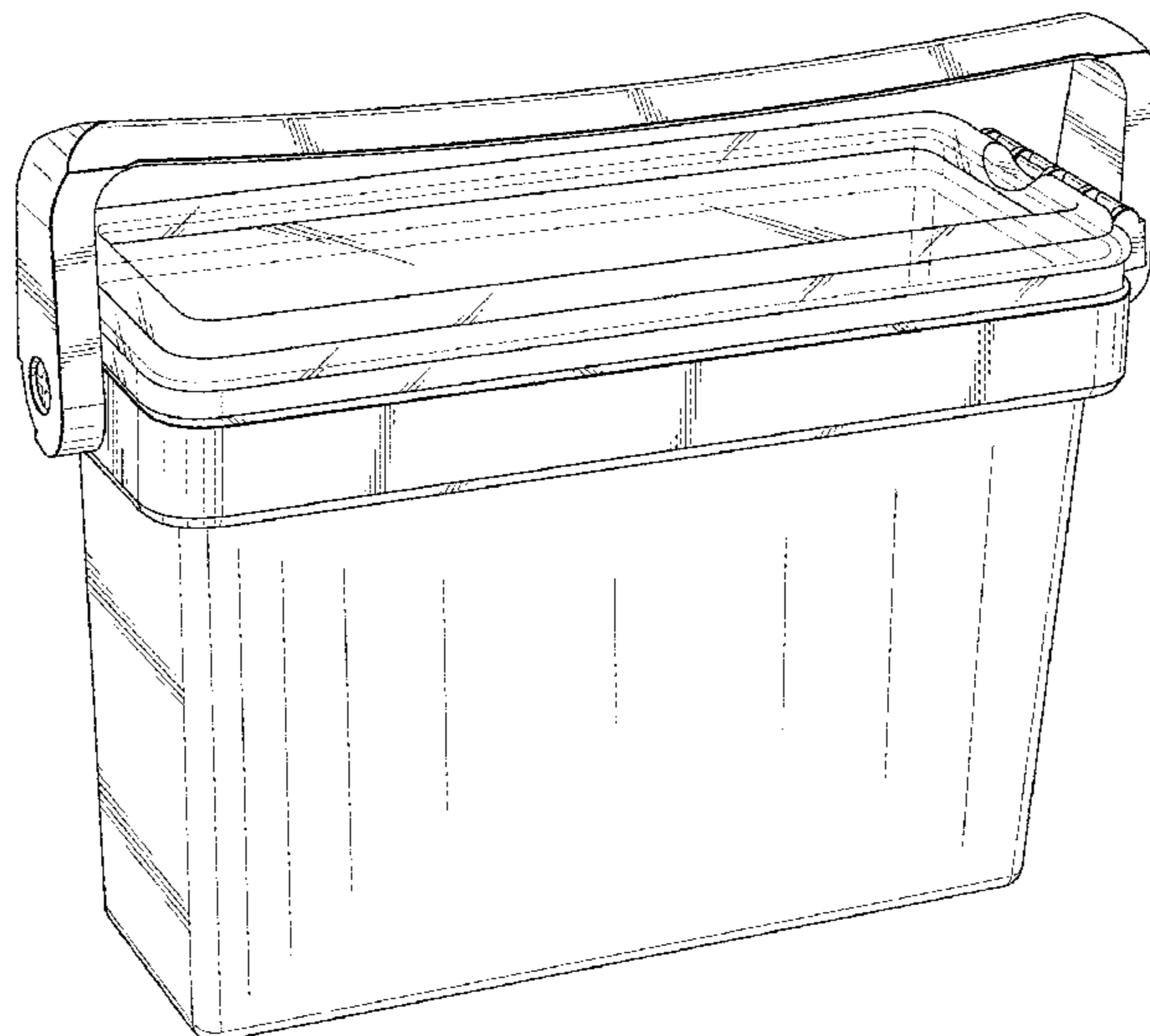
(57) **CLAIM**

The ornamental design for a ammo bucket, as shown and described.

**DESCRIPTION**

FIG. 1 is a perspective view of an ammo bucket showing our new design;  
 FIG. 2 is a front elevational view of the embodiment of FIG. 1;  
 FIG. 3 is top plan view of the embodiment of FIG. 1;  
 FIG. 4 is a back side elevational view of the embodiment of FIG. 1;  
 FIG. 5 is a bottom plan view of the embodiment of FIG. 1;  
 FIG. 6 is a left side elevational view of the embodiment of FIG. 1;  
 FIG. 7 is a right side elevational view of the embodiment of FIG. 1; and,  
 FIG. 8 is a bottom perspective view of the embodiment of FIG. 1.  
 Surface shading is used to shade FIGS. 1-8 to show clearly the character and contour of all surfaces of the 3-dimensional aspects of the design and form a part of the design sought to be protected. Oblique line shading is used to show transparent or translucent surfaces.

**1 Claim, 5 Drawing Sheets**



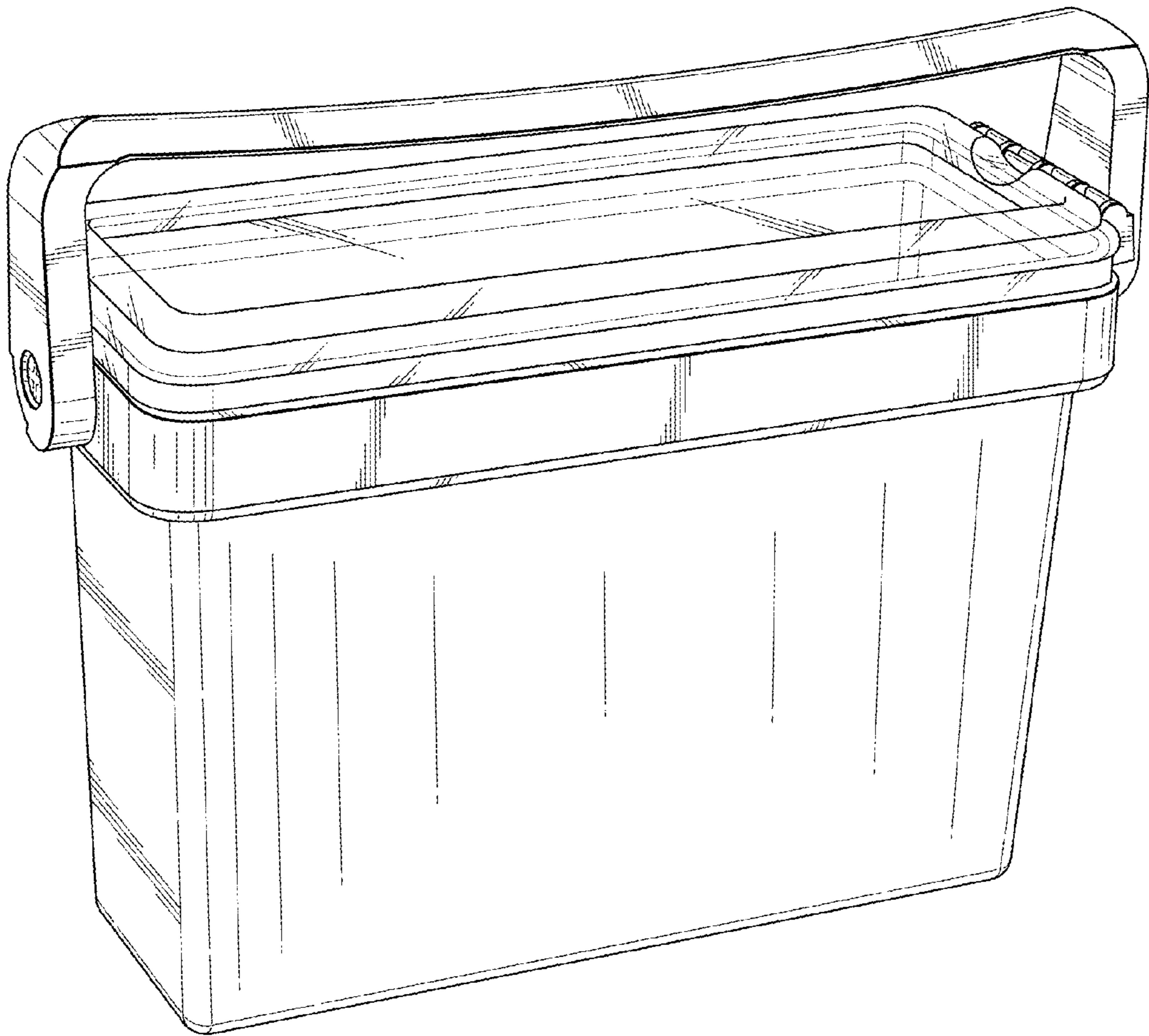
(56)

**References Cited**

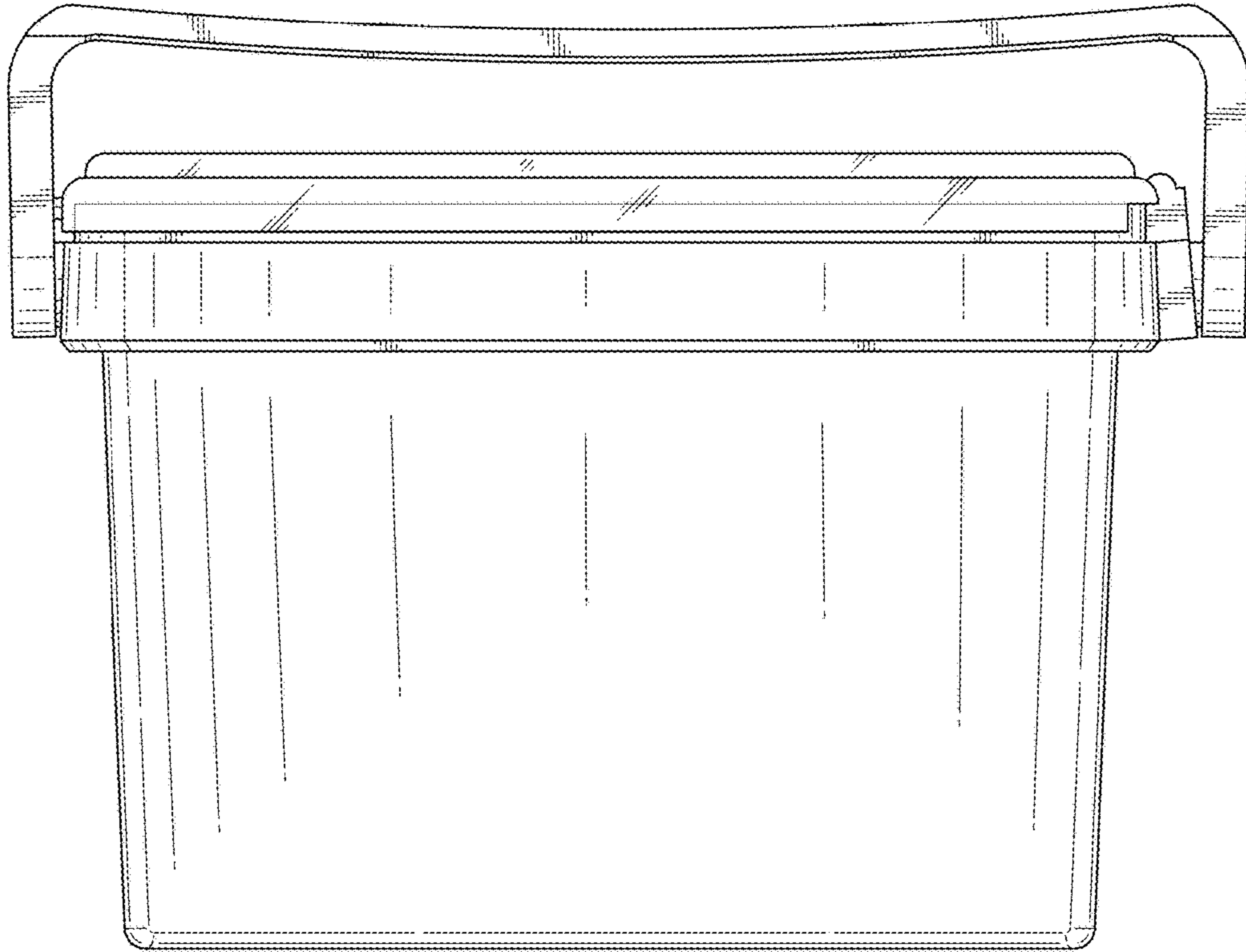
U.S. PATENT DOCUMENTS

D305,714 S *	1/1990	Carlson .....	D7/605
D305,851 S *	2/1990	Carlson .....	D7/605
D312,173 S *	11/1990	Smith .....	D22/112
D325,324 S *	4/1992	Kahl .....	D7/605
D325,853 S *	5/1992	Kahl .....	D7/605
D337,232 S *	7/1993	Kahl .....	D7/605
D340,167 S *	10/1993	Kahl .....	D7/605
5,329,787 A *	7/1994	Friday .....	F25D 3/08 62/372
D349,215 S *	8/1994	Mercado .....	D7/605
D353,305 S *	12/1994	Miller .....	D7/605
D353,306 S *	12/1994	Miller .....	D7/605
D369,722 S *	5/1996	Lopez, Jr. ....	D7/605
D600,443 S *	9/2009	Hinds .....	D3/262
D712,141 S *	9/2014	Minneman .....	D3/262
D741,597 S *	10/2015	Minneman .....	D3/262
D758,726 S *	6/2016	Minneman .....	D3/262

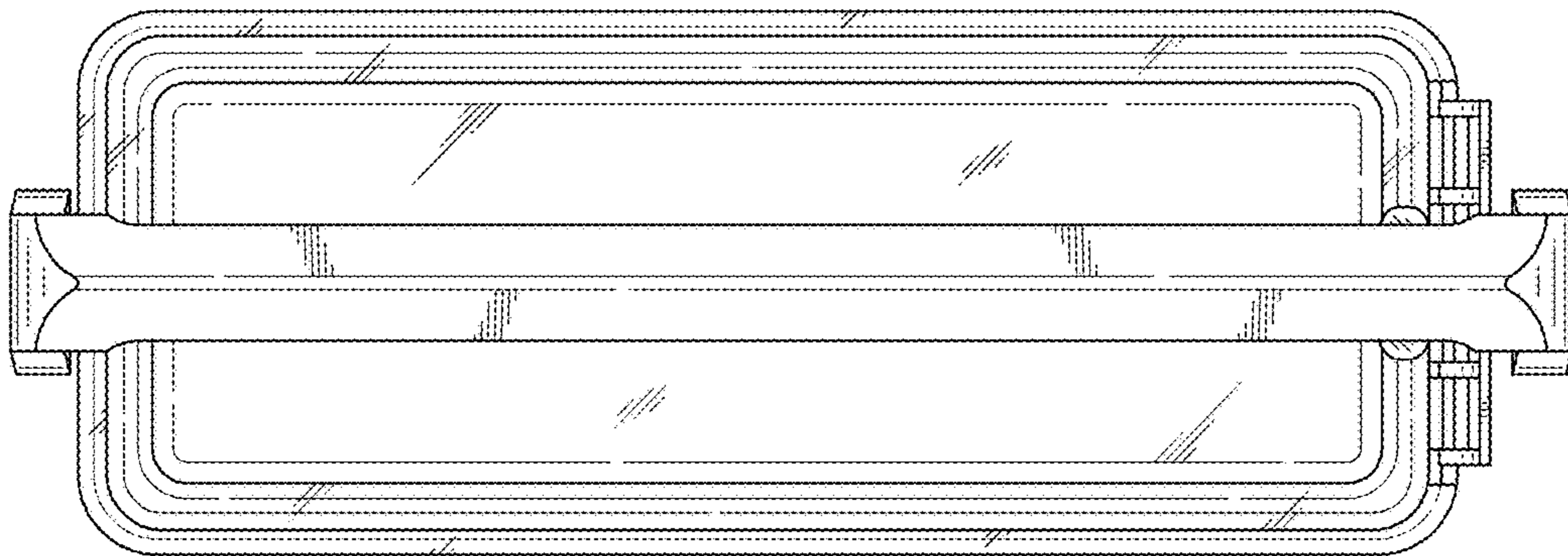
\* cited by examiner



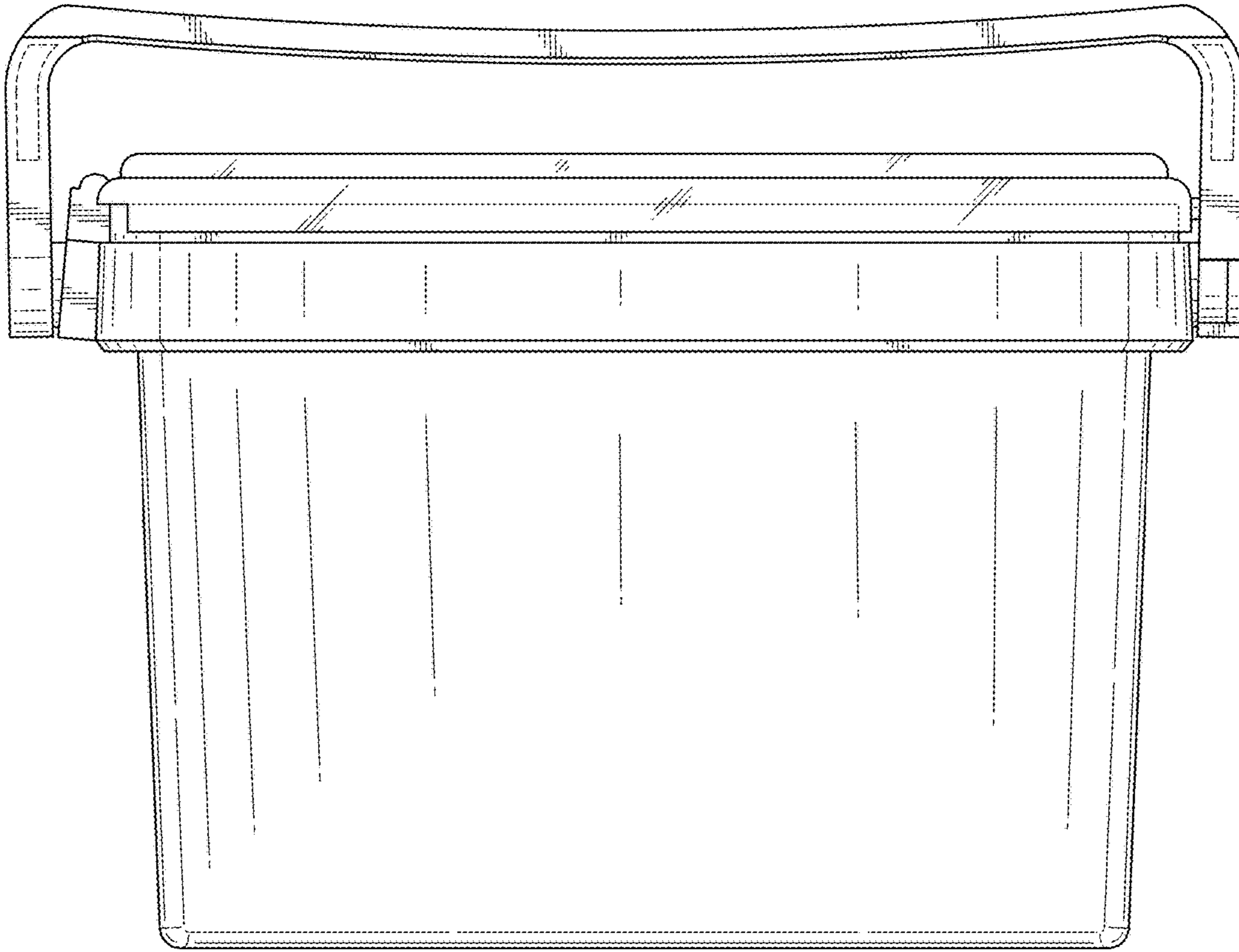
*FIG. 1*



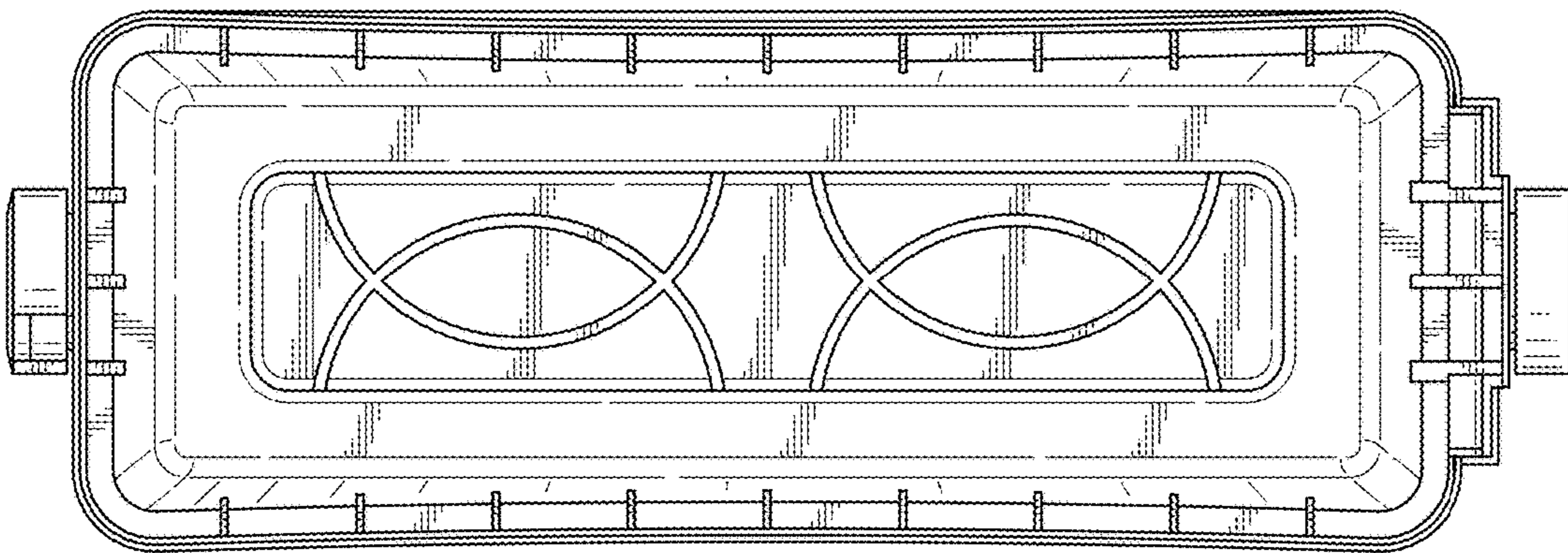
*FIG. 2*



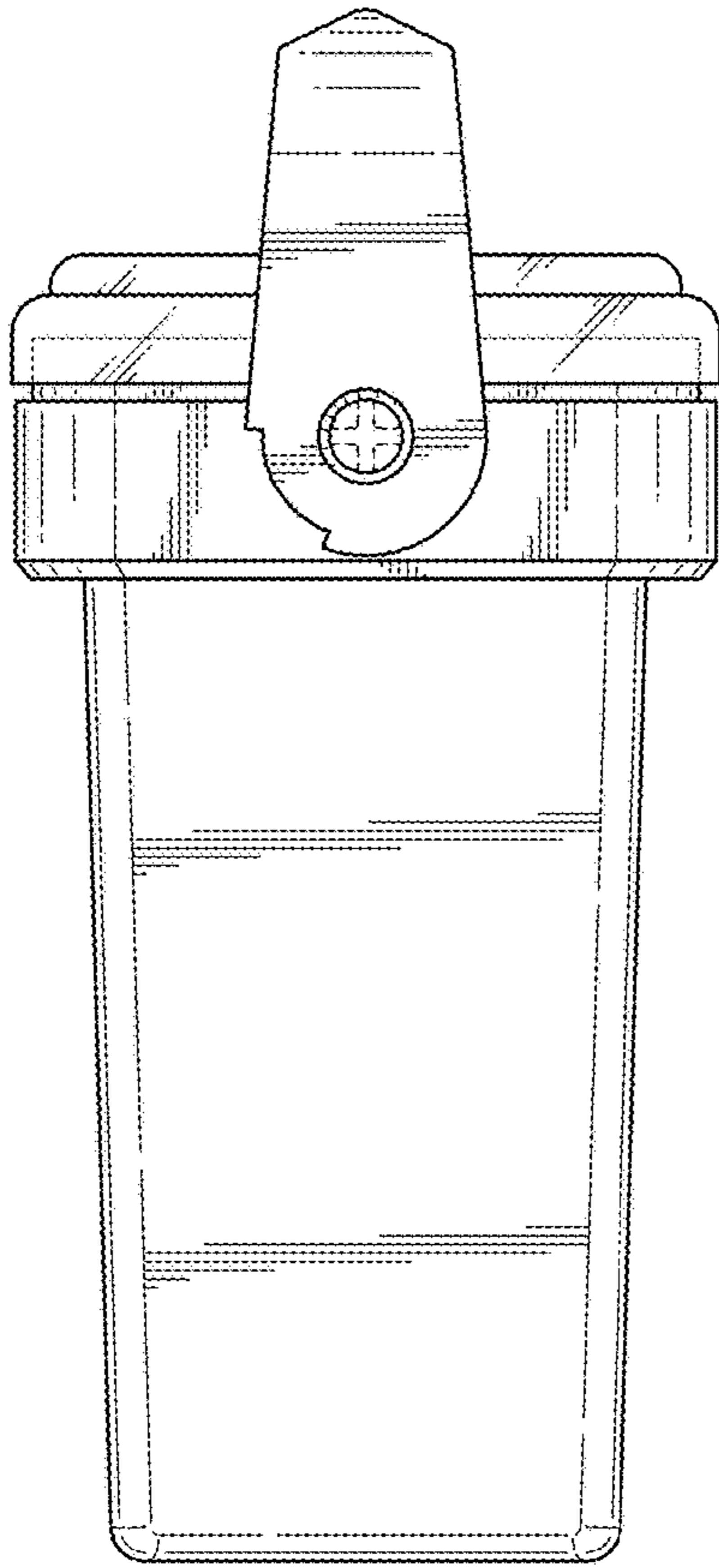
*FIG. 3*



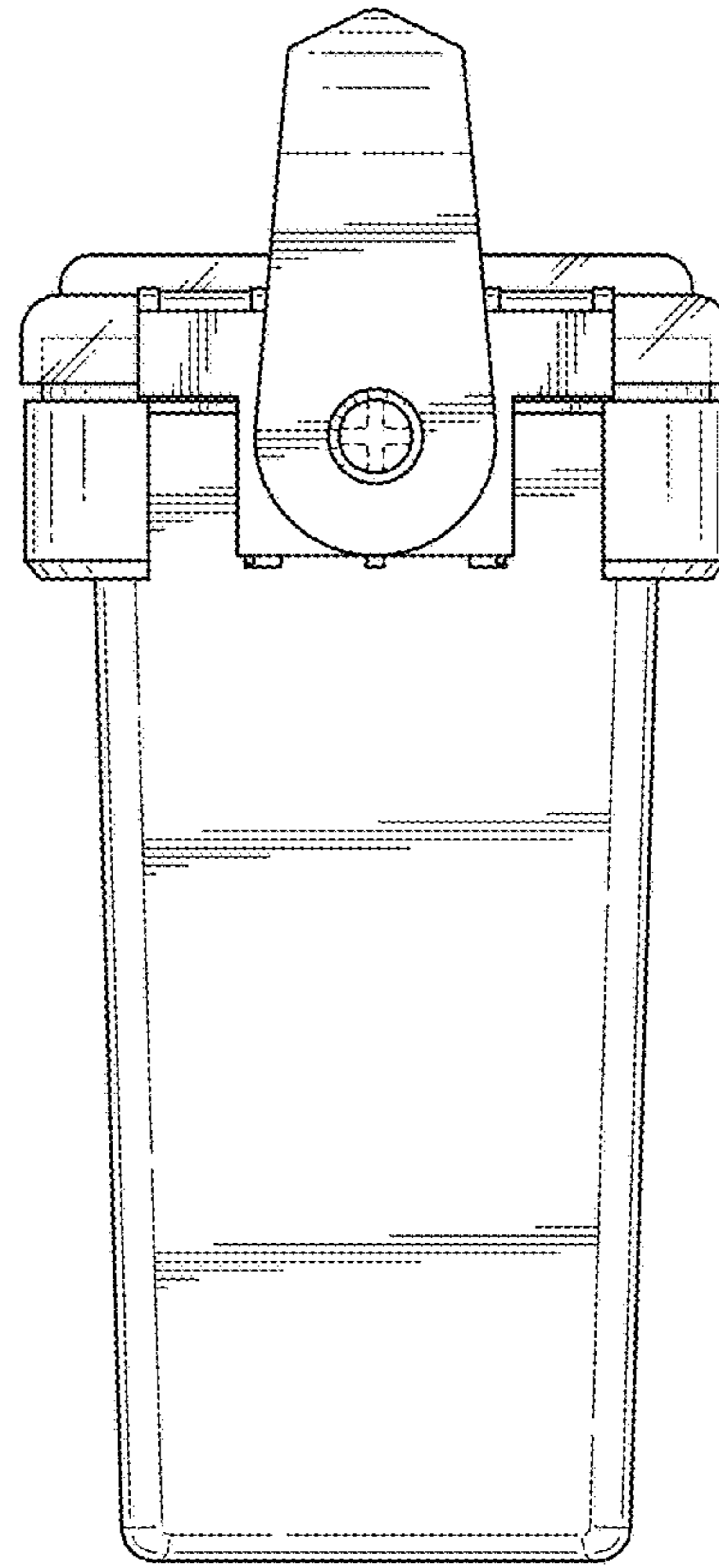
*FIG. 4*



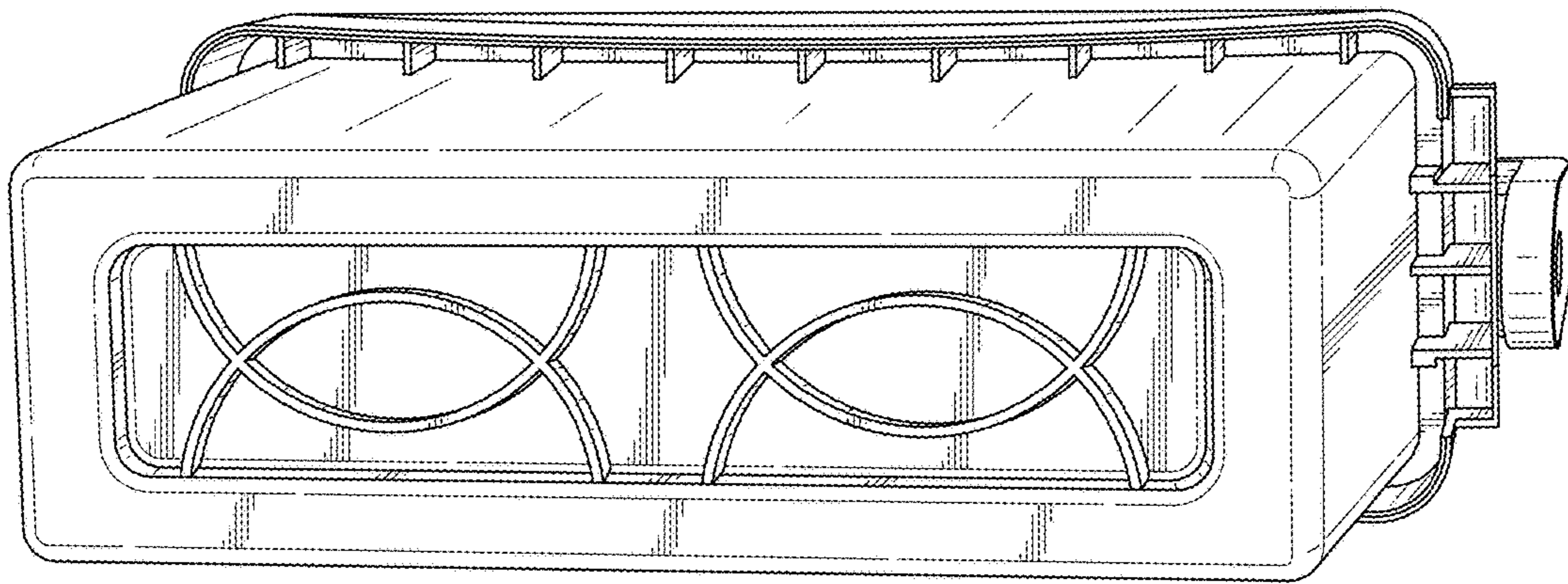
*FIG. 5*



*FIG. 6*



*FIG. 7*



*FIG. 8*