



US00D782816S

(12) **United States Design Patent** (10) **Patent No.:** **US D782,816 S**
Boyd et al. (45) **Date of Patent:** **** *Apr. 4, 2017**

(54) **CASE WITH A CLIP**

(71) Applicant: **Nite Ize, Inc.**, Boulder, CO (US)
 (72) Inventors: **Michael C. Boyd**, Boulder, CO (US);
Bowden Ormsbee, Longmont, CO (US)

(73) Assignee: **Nite Ize, Inc.**, Boulder, CO (US)

(*) Notice: This patent is subject to a terminal disclaimer.

(**) Term: **15 Years**

(21) Appl. No.: **29/535,076**

(22) Filed: **Aug. 3, 2015**

(51) **LOC (10) Cl.** **03-01**

(52) **U.S. Cl.**
USPC **D3/218**

(58) **Field of Classification Search**
 USPC D3/218-219, 215, 201, 224, 226, 228,
 D3/269, 299, 301, 303; 224/578, 674,
 224/676-683, 901, 904, 240, 930, 600,
 224/605, 625; D14/253, 248, 250-251;
 379/455
 CPC A45F 5/00; A45F 5/02; A45F 5/021; A45F
 2200/05; A45F 2200/0508; A45F
 2200/0516; A45F 2200/0525; A45F 3/02;
 A45F 3/14

See application file for complete search history.

(56) **References Cited**

U.S. PATENT DOCUMENTS

D594,226 S *	6/2009	Hofer	D3/218
D620,704 S *	8/2010	Fahrendorff	D3/218
D657,135 S *	4/2012	Fahrendorff	D3/218
D659,383 S *	5/2012	Phillips	D3/218
D757,424 S *	5/2016	Phillips	D3/218

* cited by examiner

Primary Examiner — Catheri Oliver-Garcia

(74) *Attorney, Agent, or Firm* — Haynes and Boone, LLP

(57) **CLAIM**

The ornamental design for a case with a clip, as shown and described.

DESCRIPTION

FIG. 1 is a front perspective view of the case with a clip;
 FIG. 2 is a rear perspective view of the case with a clip of FIG. 1;
 FIG. 3 is a front view of the case with a clip of FIG. 1;
 FIG. 4 is a rear view of the case with a clip of FIG. 1;
 FIG. 5 is a top view of the case with a clip of FIG. 1;
 FIG. 6 is a bottom view of the case with a clip of FIG. 1;
 FIG. 7 is a right side view of the case with a clip of FIG. 1;
 and,
 FIG. 8 is a left side view of the case with a clip of FIG. 1.

1 Claim, 6 Drawing Sheets

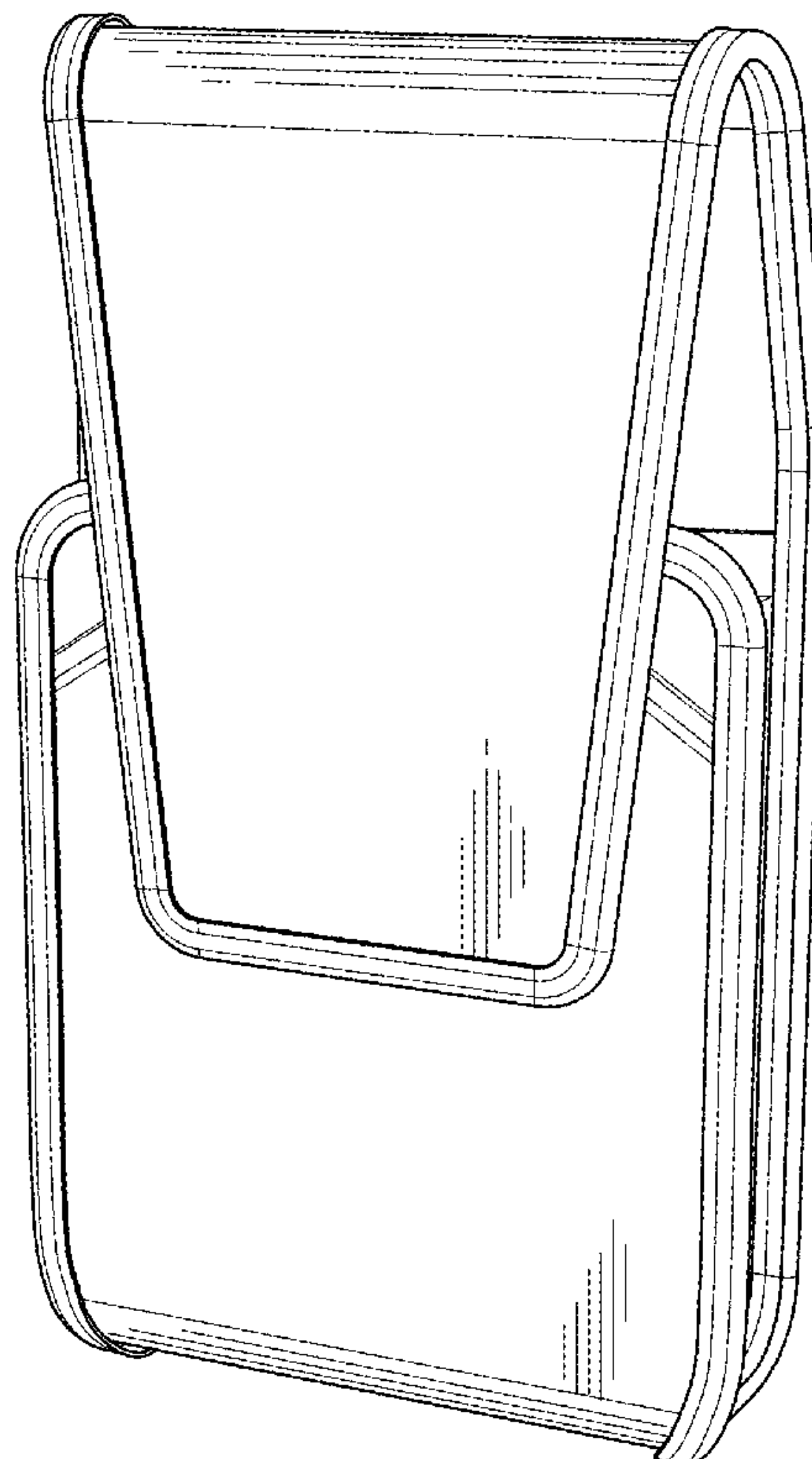


FIG. 1

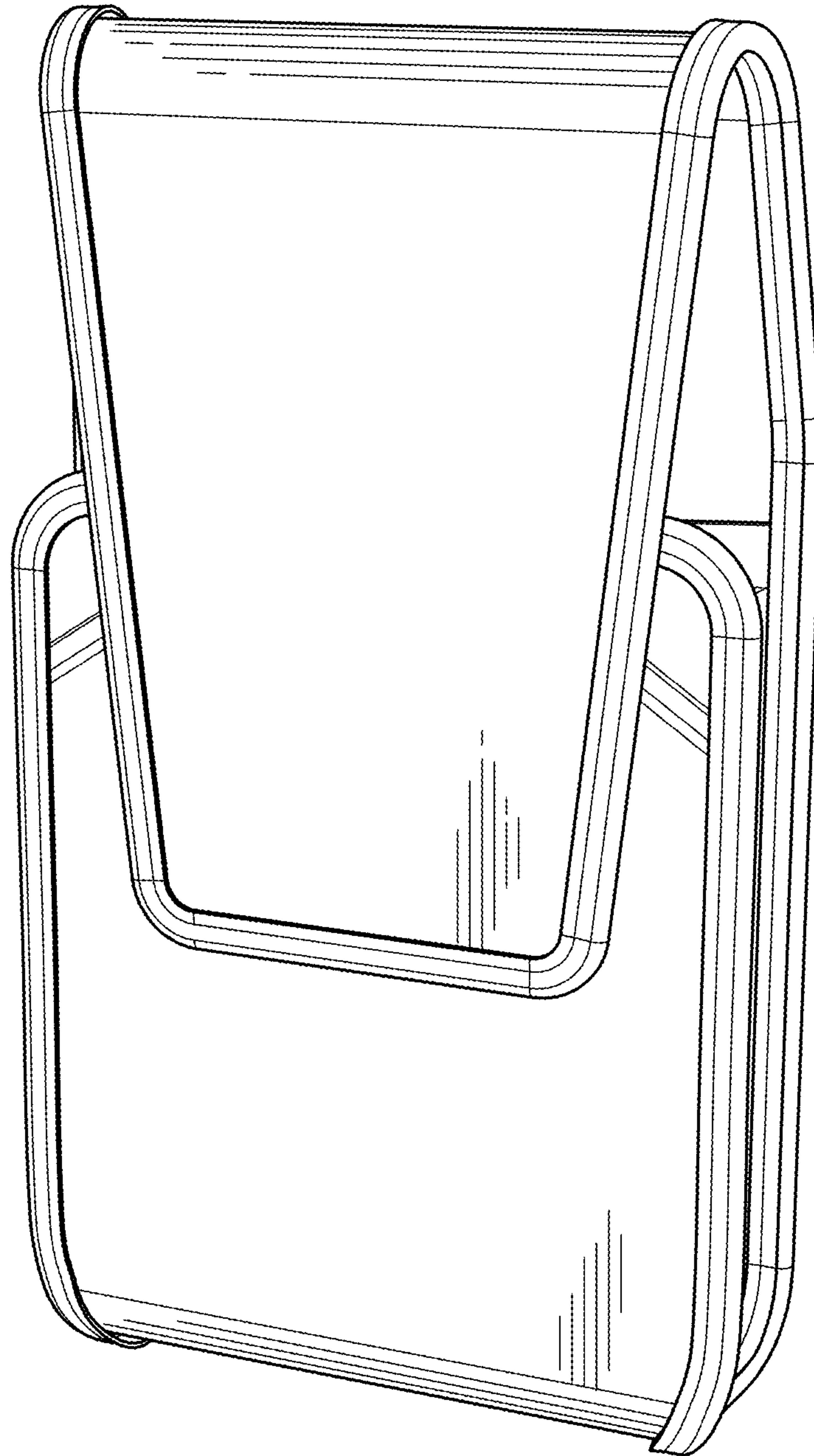


FIG. 2

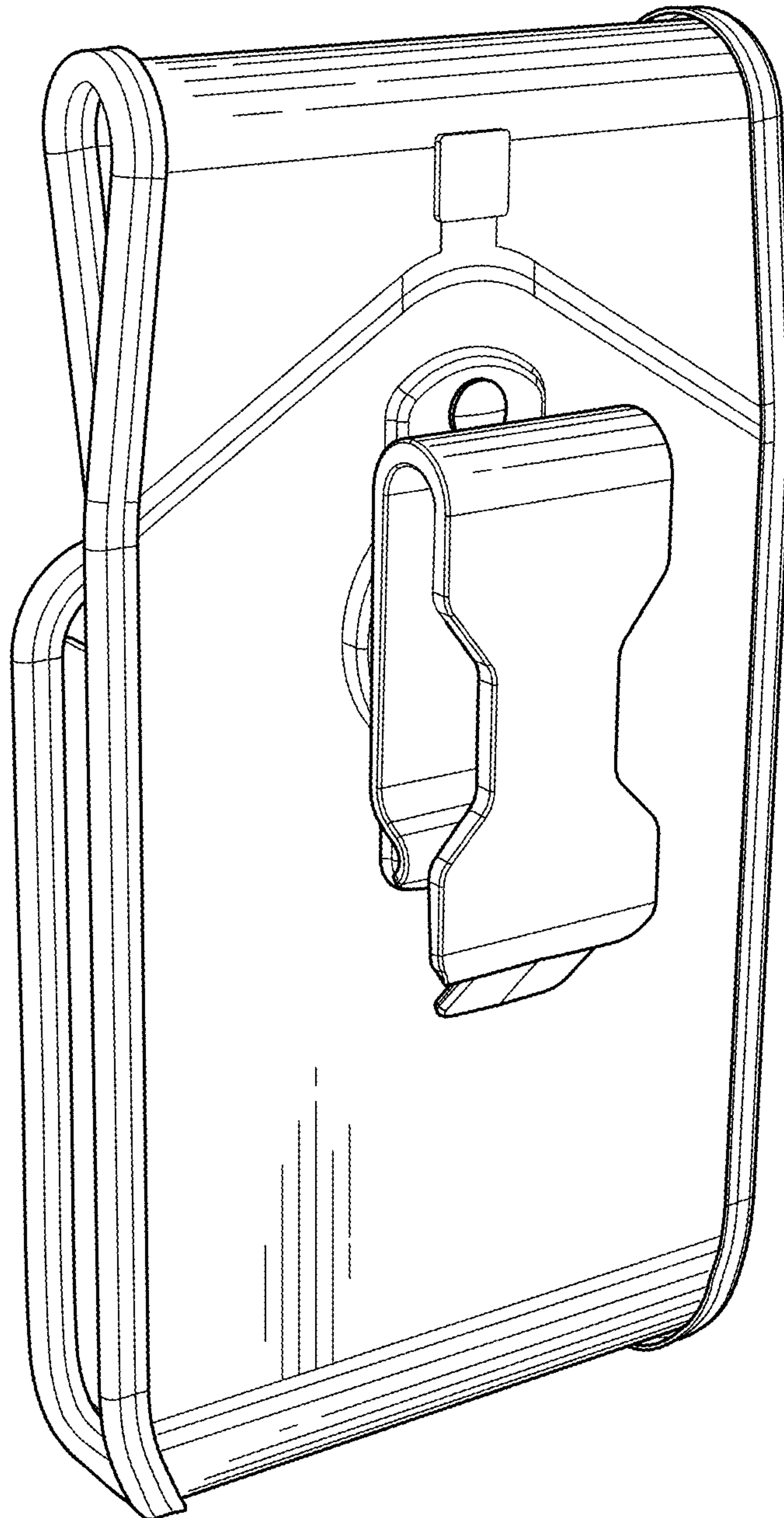


FIG. 3

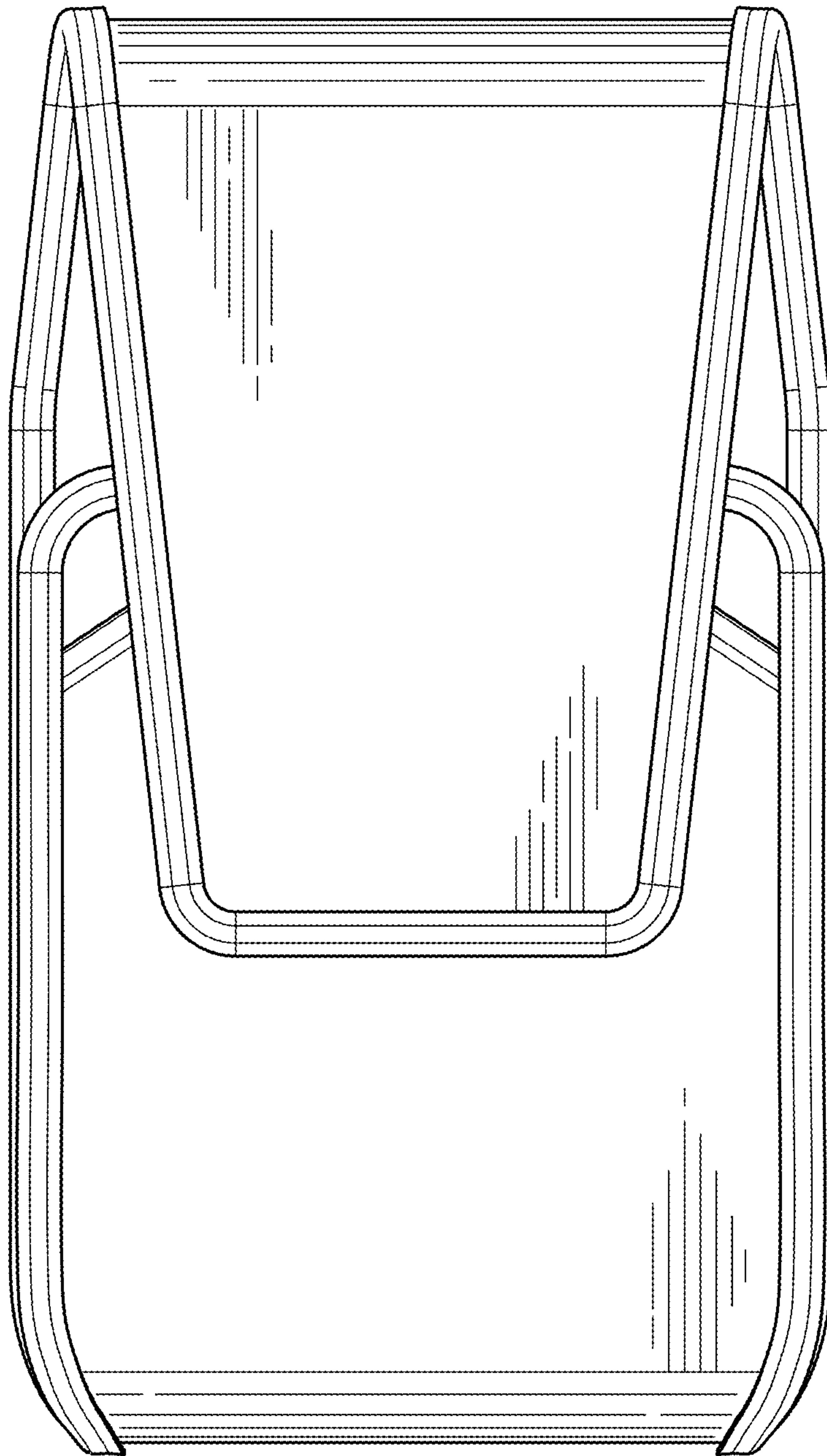


FIG. 4

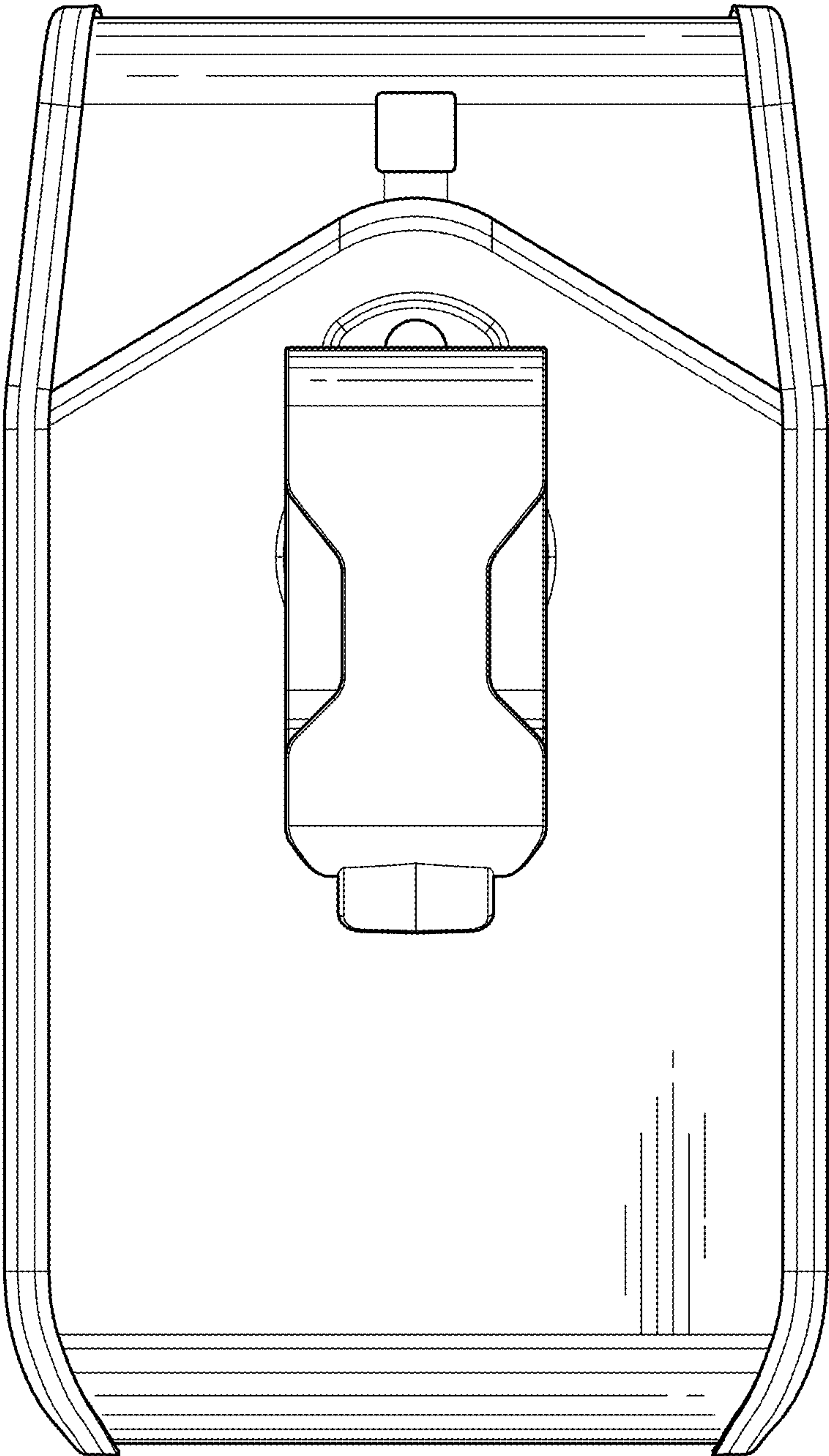


FIG. 5

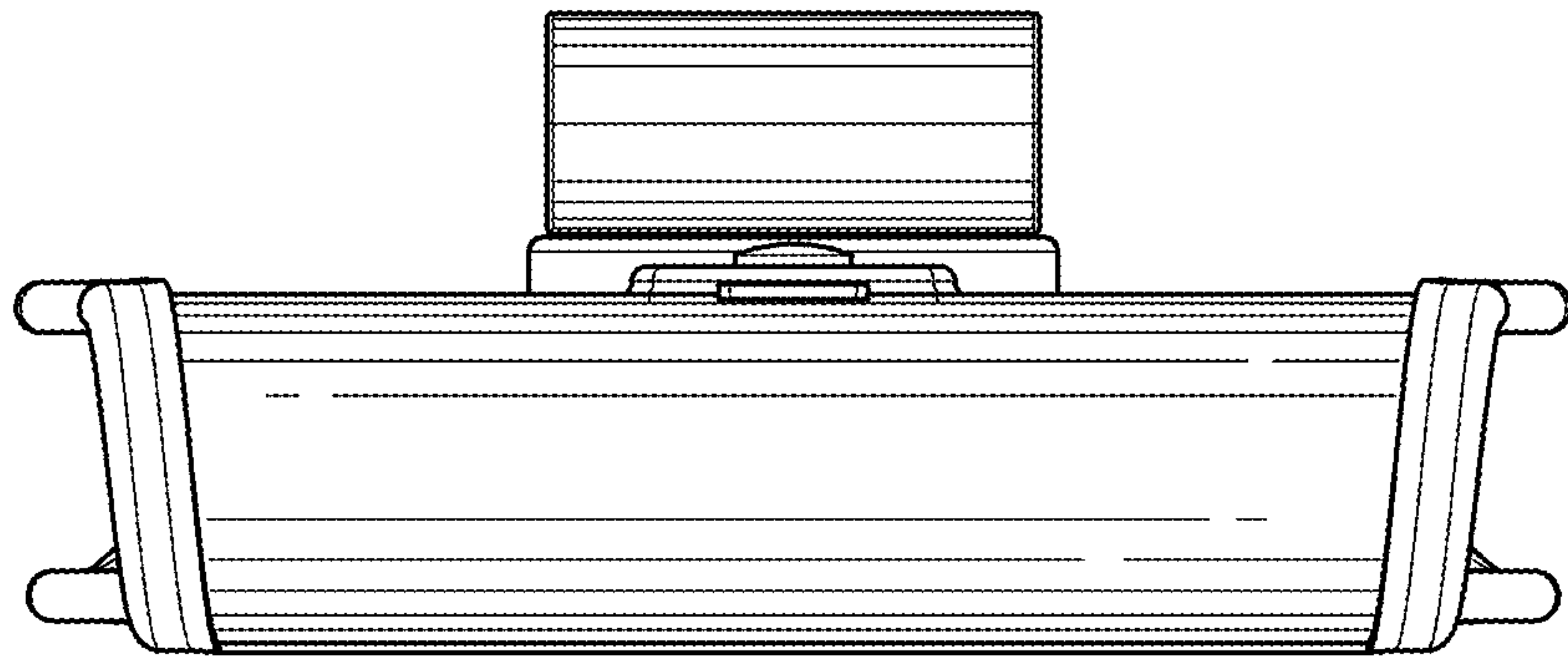


FIG. 6

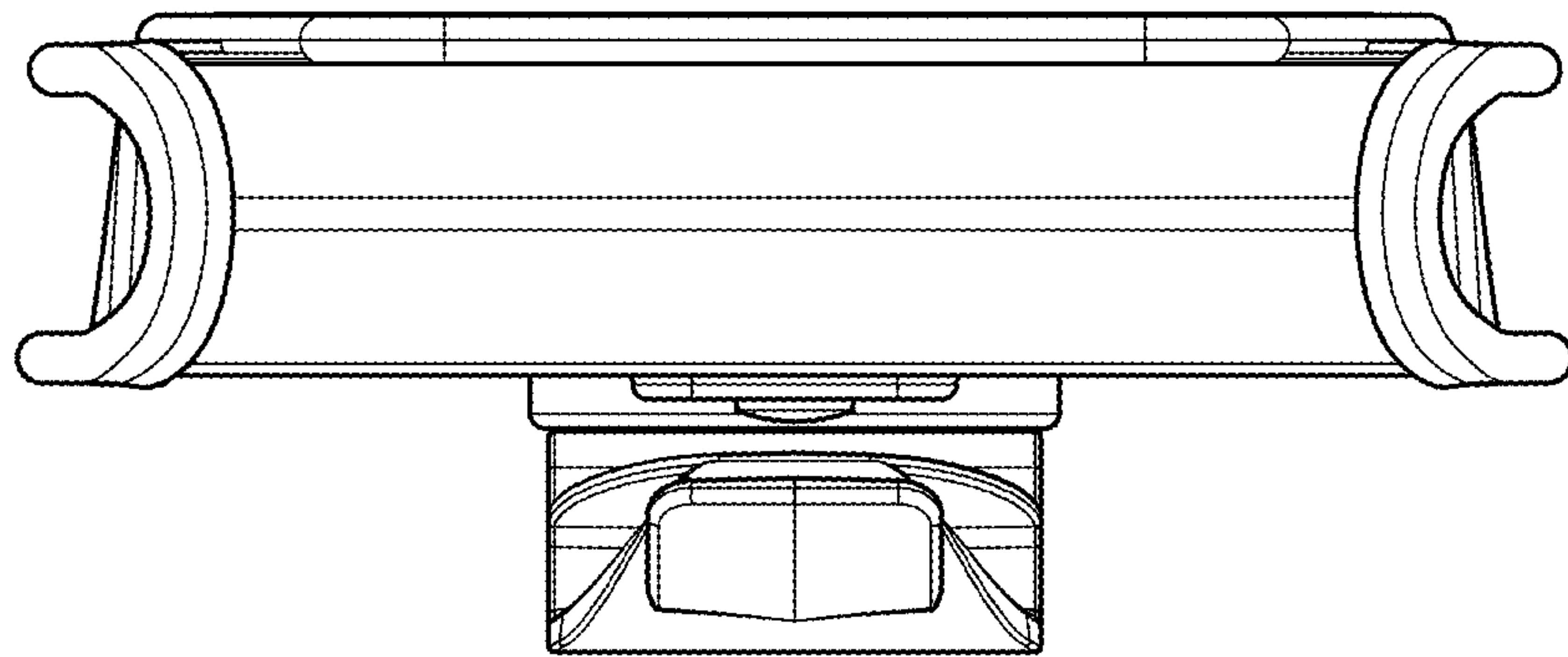


FIG. 7

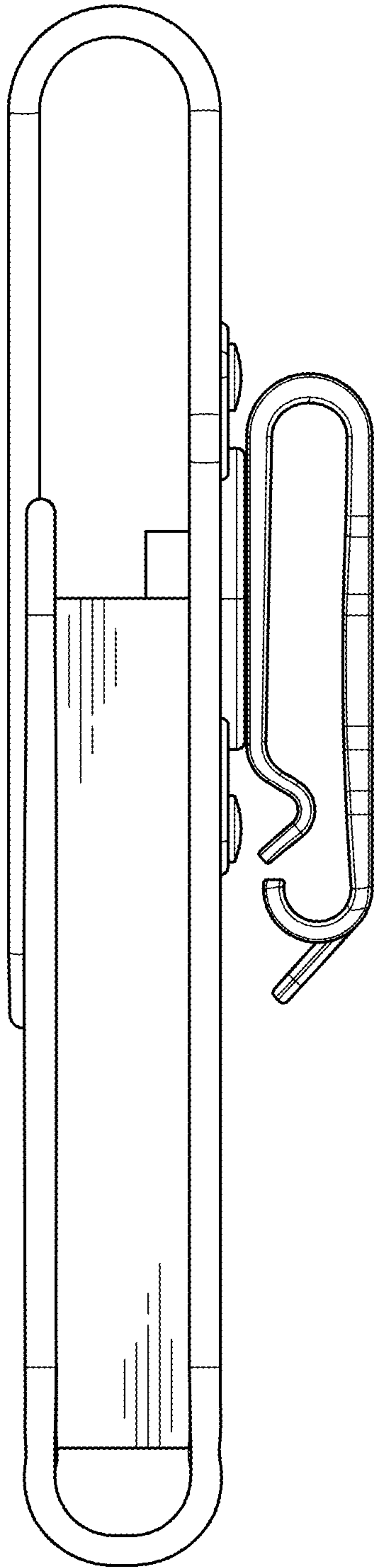


FIG. 8

