



US00D782815S

(12) **United States Design Patent** (10) **Patent No.:** **US D782,815 S**
Hernandez (45) **Date of Patent:** **** Apr. 4, 2017**

(54) **HOLDER FOR FEMININE HYGIENE ARTICLES**

(71) Applicant: **Marlene Hernandez**, Rosemead, CA (US)

(72) Inventor: **Marlene Hernandez**, Rosemead, CA (US)

(**) Term: **15 Years**

(21) Appl. No.: **29/528,994**

(22) Filed: **Jun. 2, 2015**

(51) **LOC (10) Cl.** **03-01**

(52) **U.S. Cl.**
USPC **D3/203.5**; D3/250

(58) **Field of Classification Search**
USPC D3/20, 203.6, 205, 206, 208, 226, 232, D3/245, 247-253, 303, 324; D14/251; D19/3, 27, 75, 86, 91, 102
CPC A45C 1/06; A45C 3/08
See application file for complete search history.

(56) **References Cited**

U.S. PATENT DOCUMENTS

- 763,797 A * 6/1904 Rueve, Jr. B65D 27/08 229/67.1
- D57,831 S * 5/1921 Frederick D10/74
- 2,086,368 A * 7/1937 Scheer A45C 1/06 150/109
- D138,707 S * 9/1944 Fritzie 150/117
- 2,598,070 A * 5/1952 Randall A47G 33/02 206/19
- 2,612,199 A 9/1952 Schocket
- 2,764,201 A 9/1956 Whippo
- 2,843,170 A 7/1958 Frankfurt
- 2,857,948 A * 10/1958 Schlessinger A45C 1/08 150/112
- D247,653 S * 3/1978 Kamenstein D3/243
- D257,912 S * 1/1981 Kuen-Yi 206/380
- 4,286,639 A 9/1981 Murphy

- D267,052 S * 11/1982 Rapoport D3/290
- 4,402,403 A * 9/1983 Focke B65D 33/00 206/245
- D270,784 S * 10/1983 Forrester 224/918
- D297,187 S * 8/1988 Kaczmarek D3/283
- 4,960,204 A 10/1990 Young et al.
- 5,046,620 A 9/1991 Barabina
- D379,198 S * 5/1997 Dowda 229/68.1

(Continued)

OTHER PUBLICATIONS

Kate Spade Darla wallet, posted at Lowhousecreative.com, posting date May 5, 2011, © 2011 Elizabeth F. Clayton, [online], [site visited Jul. 14, 2016]. Available from Internet, <URL: <http://lowhousecreative.com/2011/05/kate-spade-darla-wallets/>>.*

Primary Examiner — Susan E Krakower
Assistant Examiner — Lisa A Grabenstetter
(74) *Attorney, Agent, or Firm* — Kenneth H. Ohriner; Perkins Coie LLP

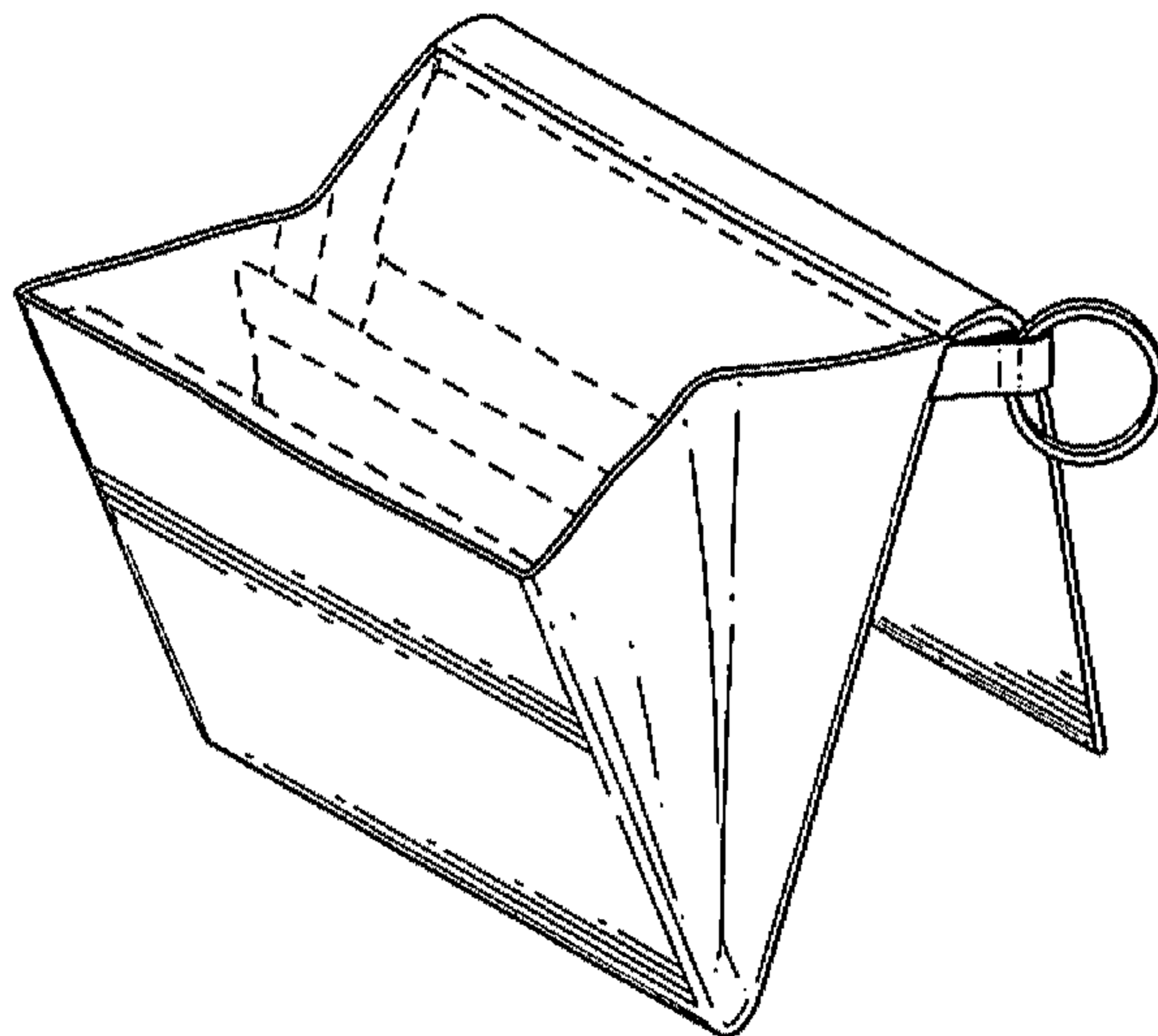
(57) **CLAIM**

The ornamental design for a holder for feminine hygiene articles, as shown and described.

DESCRIPTION

FIG. 1 is a top, front and left side perspective view of a holder for feminine hygiene articles, showing my new design.
FIG. 2 is a front view.
FIG. 3 is a back view.
FIG. 4 is a left side view.
FIG. 5 is a right side view.
FIG. 6 is a top plan view; and,
FIG. 7 is a bottom plan view.
The interior of the holder for feminine hygiene articles, depicted in broken lines, forms no part of the claimed design.

1 Claim, 4 Drawing Sheets



(56)

References Cited

U.S. PATENT DOCUMENTS

D379,830	S *	6/1997	Wasylyk	206/38.1
D395,005	S *	6/1998	Burton	D19/3
D405,832	S *	2/1999	Bolden	D19/75
6,039,175	A	3/2000	Wright	
D422,410	S *	4/2000	Bischoff	D3/276
D427,424	S	7/2000	Conway	
D432,784	S	10/2000	Conway	
D456,989	S *	5/2002	Carothers	D3/226
6,446,688	B1	9/2002	Sutton	
6,481,576	B1	11/2002	Watkins	
D554,701	S *	11/2007	Kranz	D19/3
D590,440	S *	4/2009	Taute	D19/3
D607,206	S *	1/2010	Waldman	D3/247
D613,502	S *	4/2010	Hardy	D3/247
D648,936	S *	11/2011	Washington	D3/247
D659,394	S *	5/2012	Hebert	D3/247
8,251,113	B2	8/2012	Baxter	
9,186,284	B1 *	11/2015	Hernandez	A61F 13/55145
D758,735	S *	6/2016	Hernandez	D3/319
2002/0153074	A1	10/2002	Chen et al.	
2006/0266663	A1	11/2006	Rhea	
2007/0090014	A1	4/2007	Wheeler et al.	
2011/0215025	A1	9/2011	Gonzales	
2013/0062246	A1	3/2013	Staples	
2013/0074997	A1	3/2013	Jones et al.	

* cited by examiner

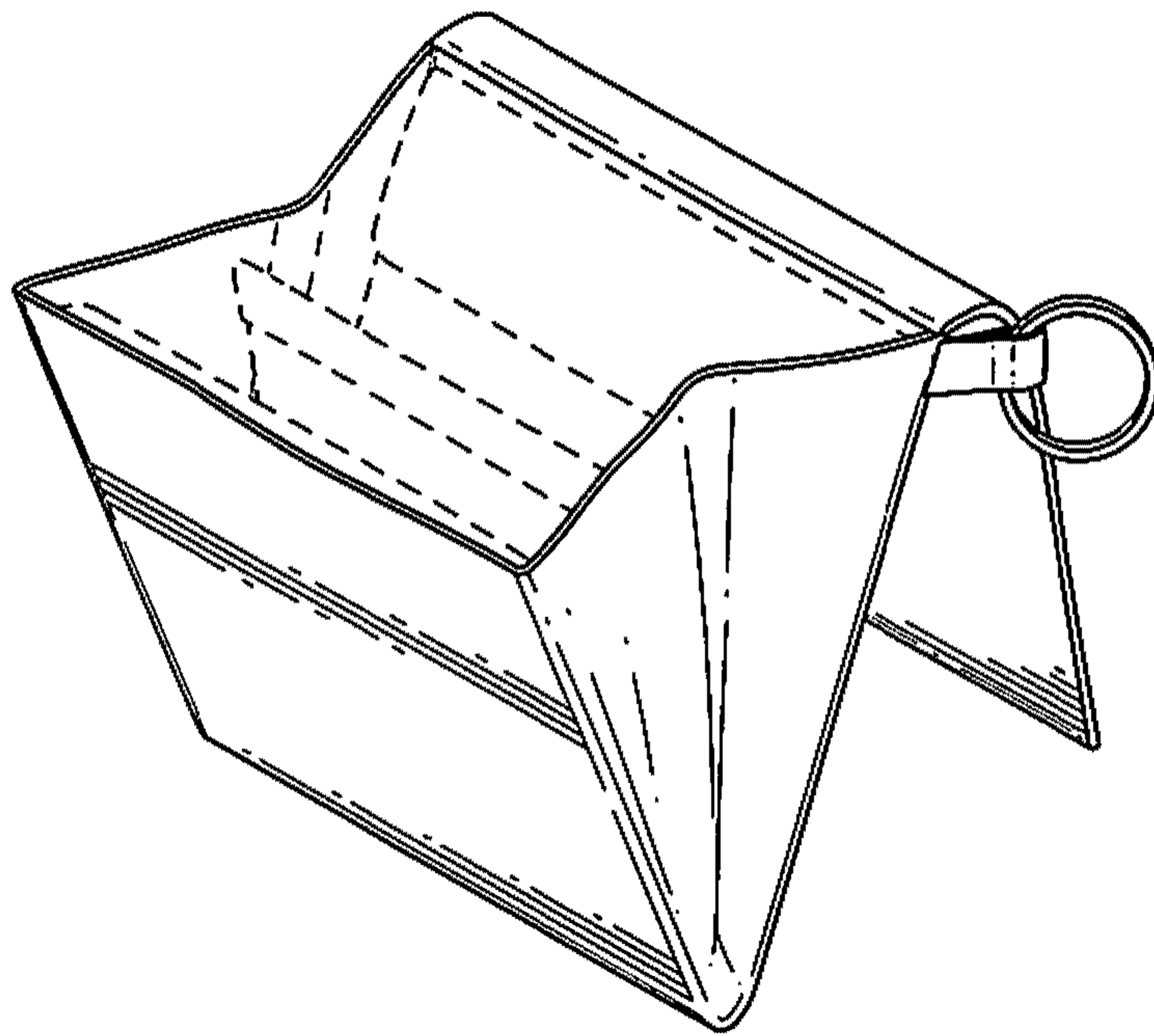


FIG. 1

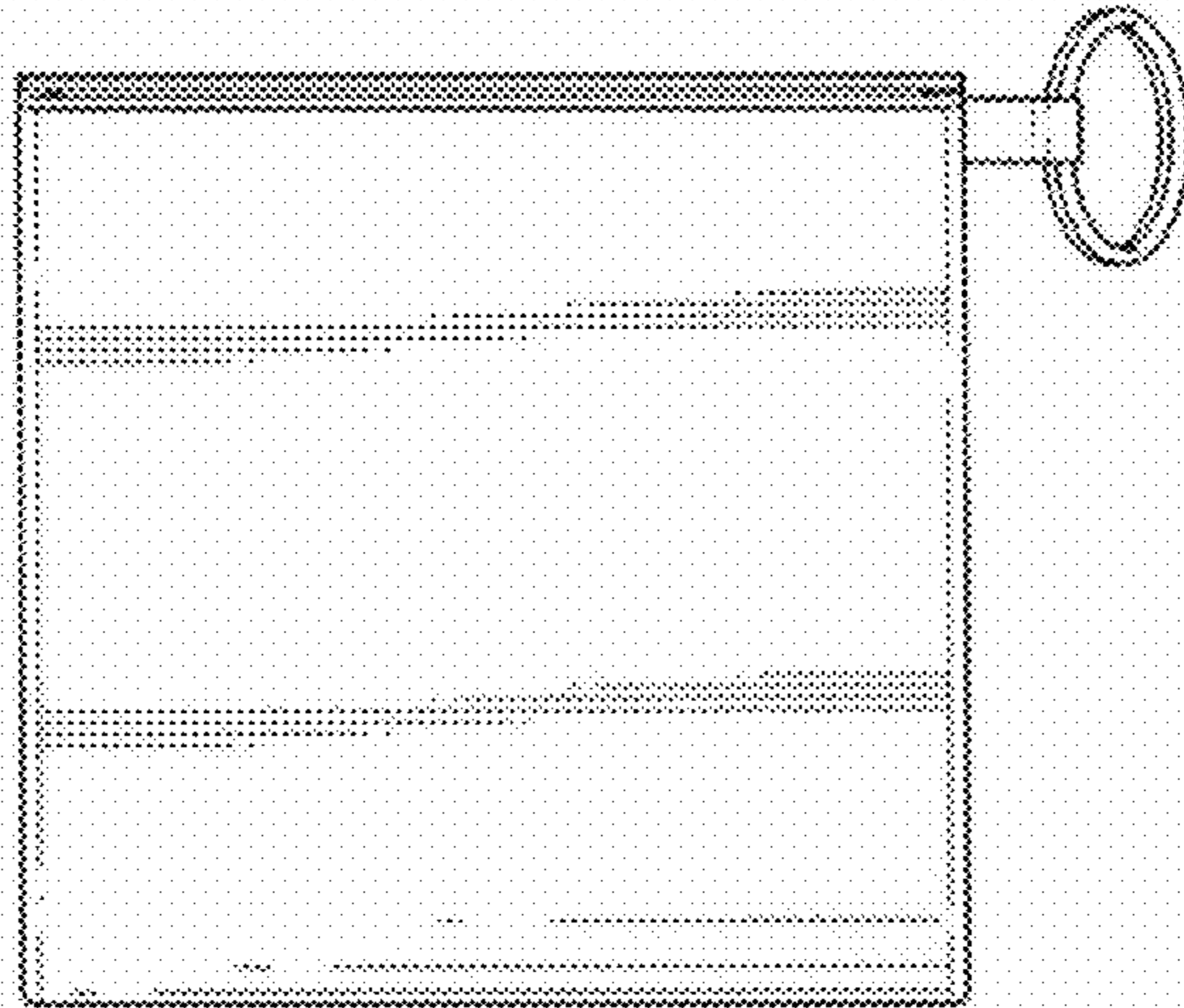


FIG. 2

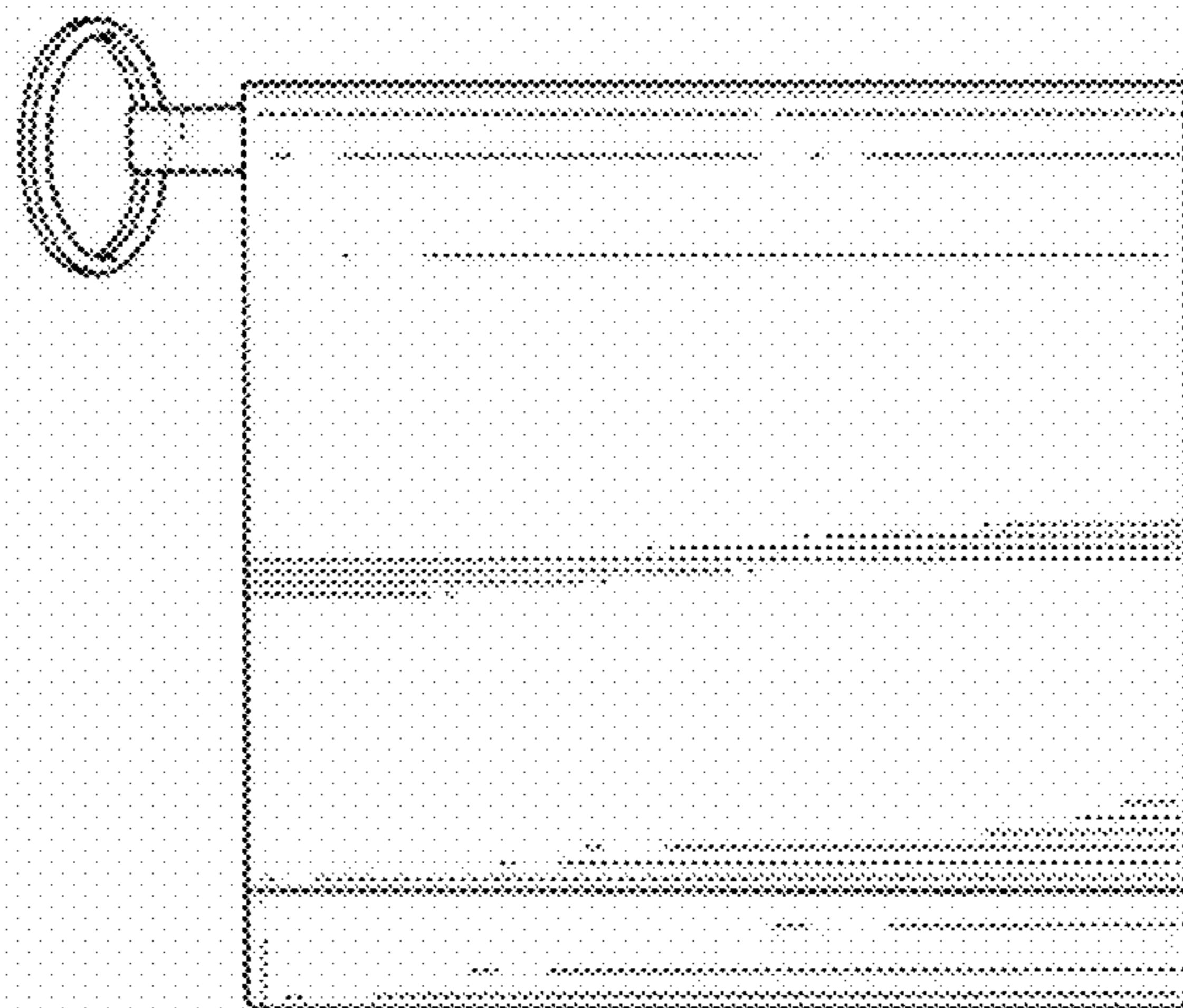


FIG. 3

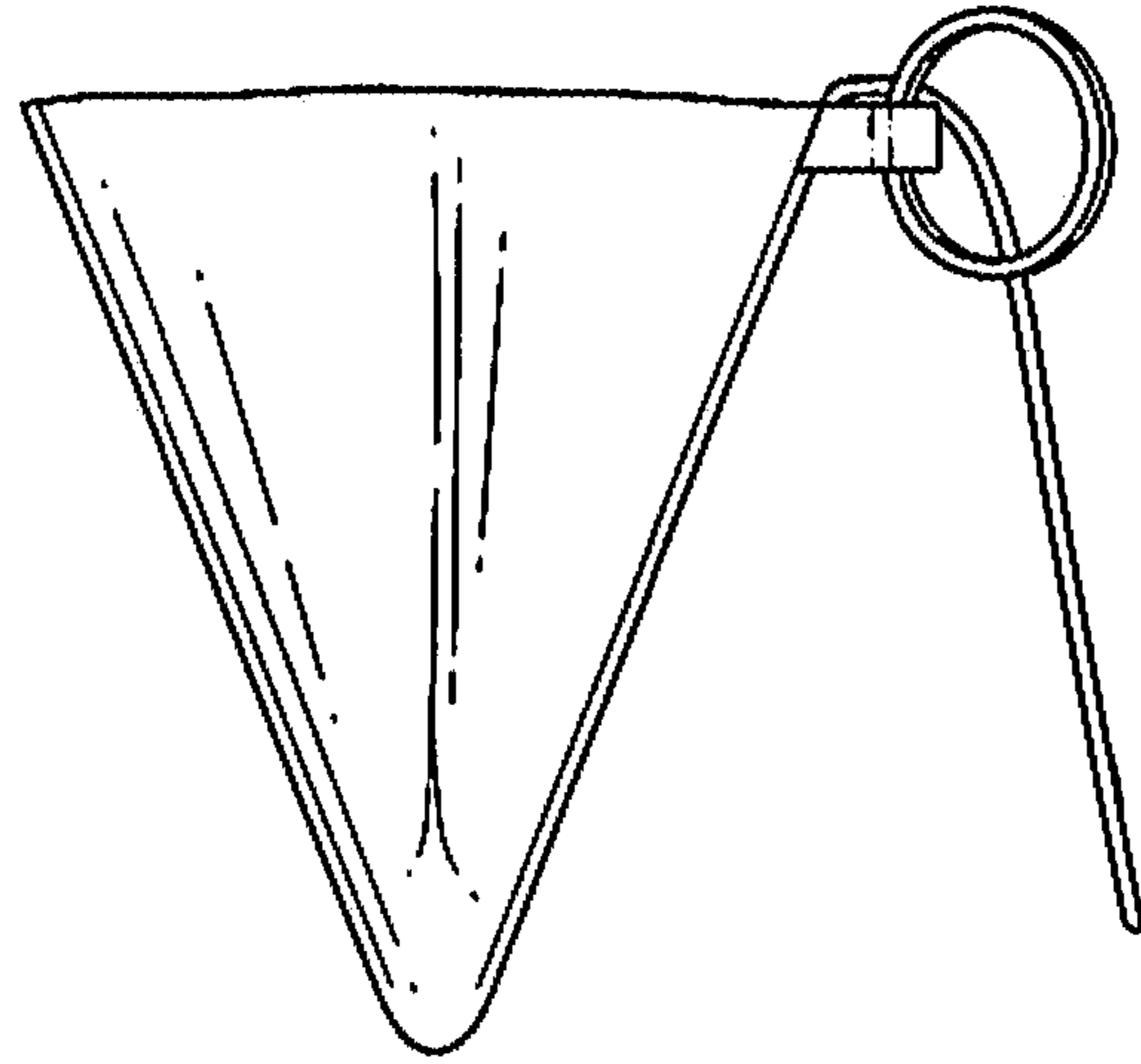


FIG. 4

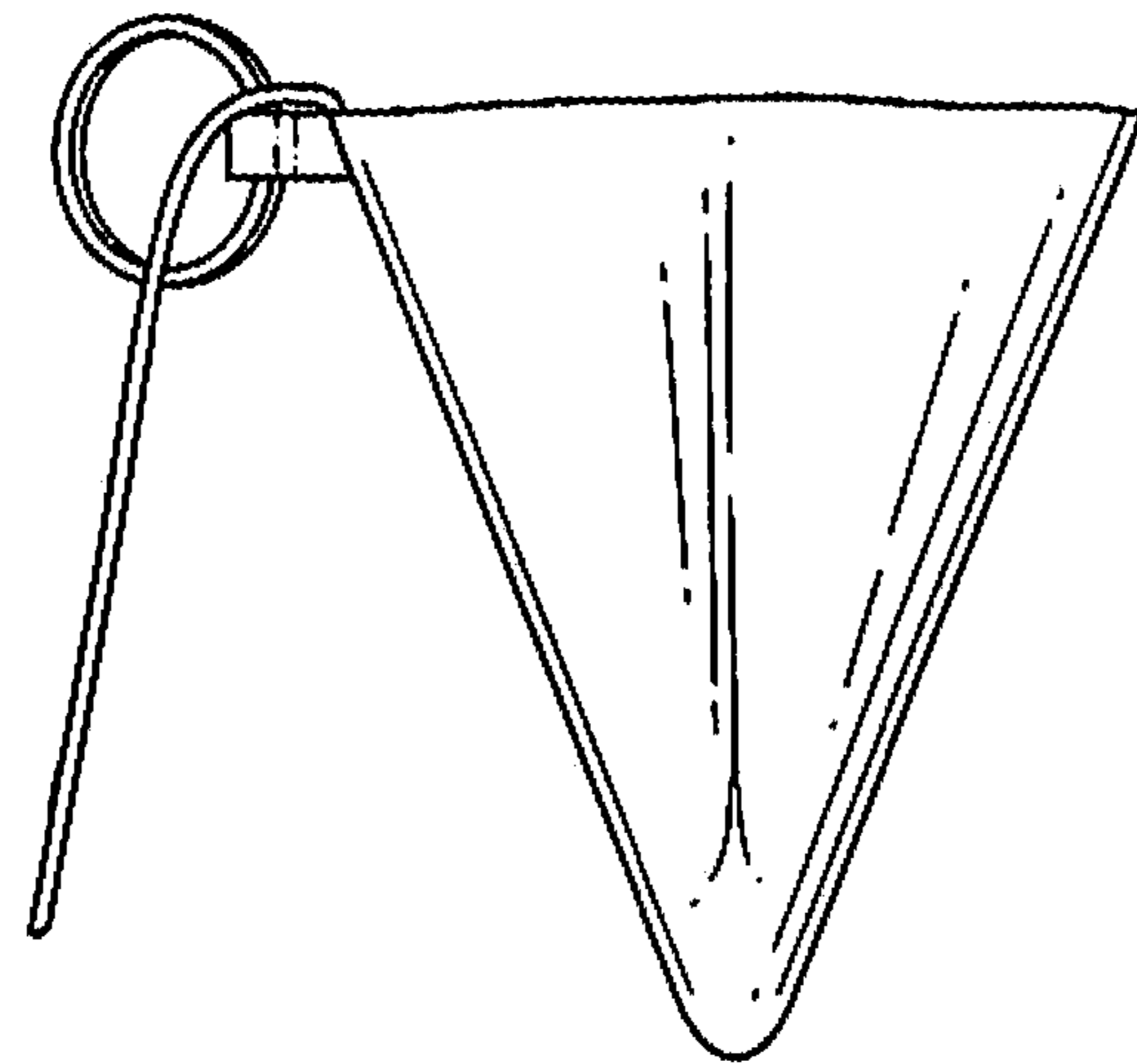


FIG. 5

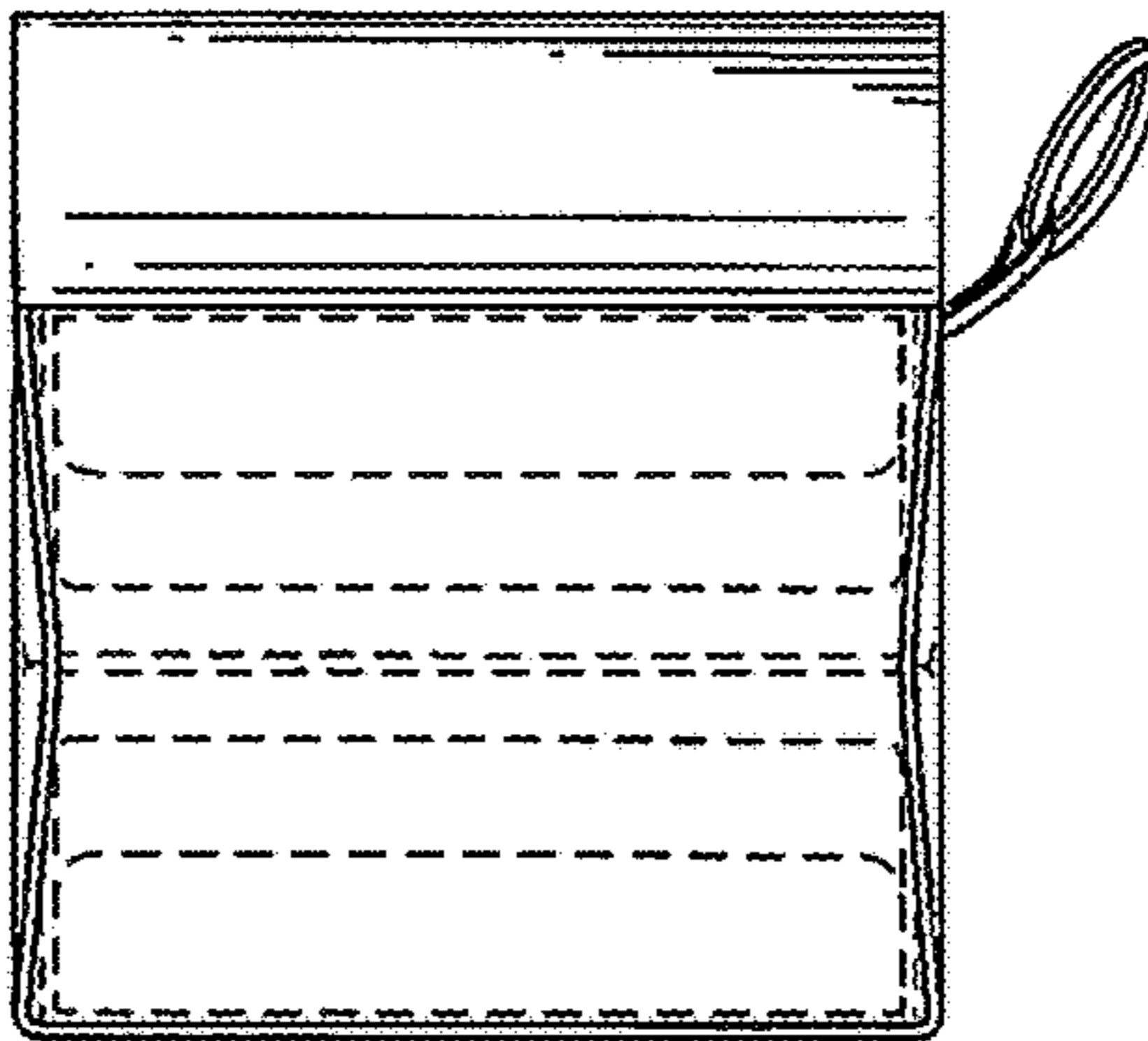


FIG. 6

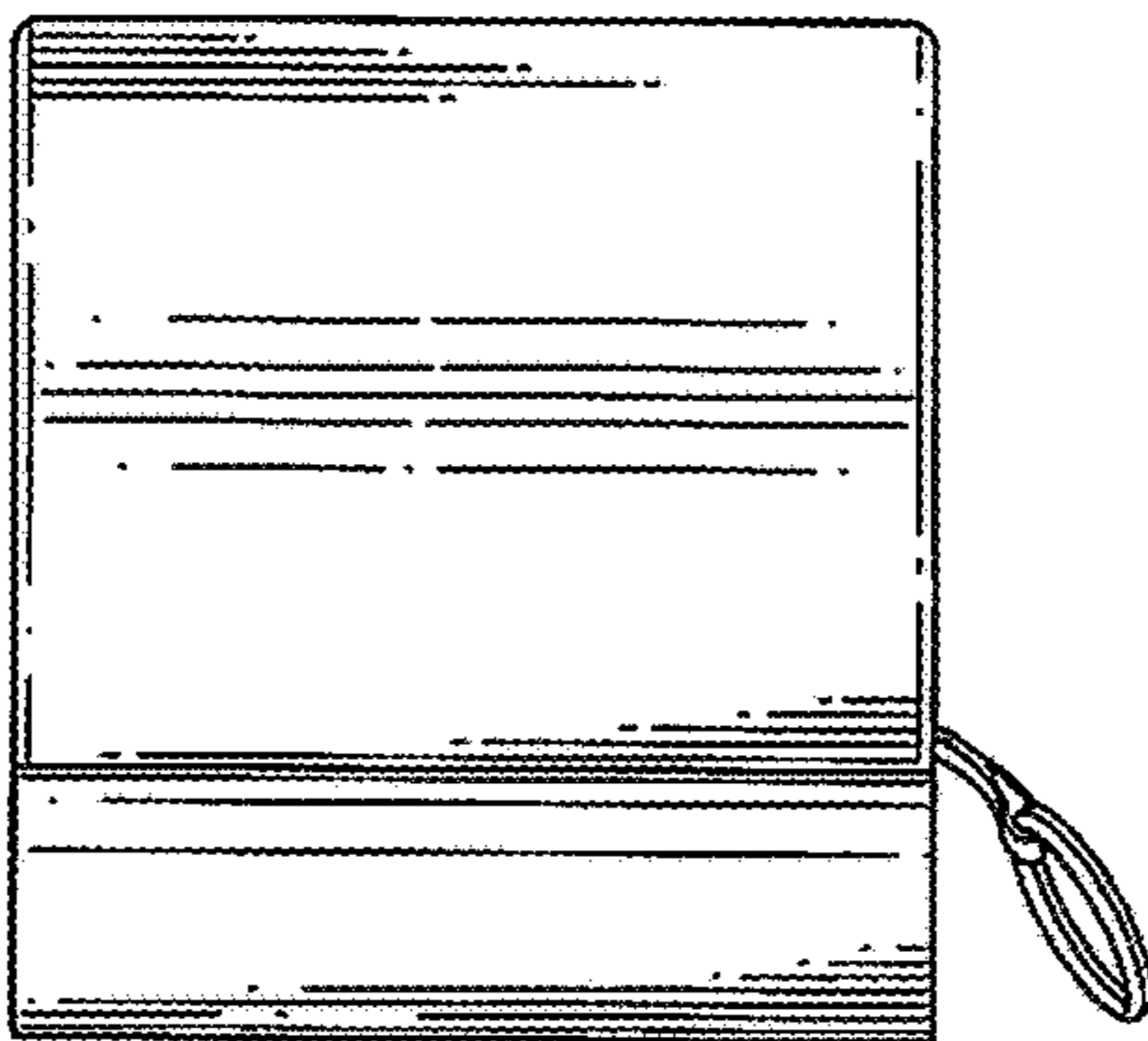


FIG. 7