



US00D782814S

(12) **United States Design Patent** (10) **Patent No.:** **US D782,814 S**  
**Hernandez** (45) **Date of Patent:** **\*\* Apr. 4, 2017**

(54) **HOLDER FOR FEMININE HYGIENE ARTICLES**

(71) Applicant: **Marlene Hernandez**, Rosemead, CA (US)

(72) Inventor: **Marlene Hernandez**, Rosemead, CA (US)

(\*\*) Term: **15 Years**

(21) Appl. No.: **29/528,993**

(22) Filed: **Jun. 2, 2015**

(51) **LOC (10) Cl.** ..... **03-01**

(52) **U.S. Cl.**  
USPC ..... **D3/203.5; D3/250**

(58) **Field of Classification Search**  
USPC ..... D3/20, 203.6, 205, 206, 208, 226, 232, D3/245, 247-253, 303, 324; D14/251; D19/3, 27, 75, 86, 91, 102  
CPC ..... A45C 1/06; A45C 3/08  
See application file for complete search history.

(56) **References Cited**

**U.S. PATENT DOCUMENTS**

- 763,797 A \* 6/1904 Rueve, Jr. .... B65D 27/08 229/67.1
- D57,831 S \* 5/1921 Frederick ..... D10/74
- 2,086,368 A \* 7/1937 Scheer ..... A45C 1/06 150/109
- D138,707 S \* 9/1944 Fritzie ..... 150/117
- 2,598,070 A \* 5/1952 Randall ..... A47G 33/02 206/19
- 2,612,199 A 9/1952 Schocket
- 2,764,201 A 9/1956 Whippo
- 2,843,170 A 7/1958 Frankfurt
- 2,857,948 A \* 10/1958 Schlessinger ..... A45C 1/08 150/112
- D247,653 S \* 3/1978 Kamenstein ..... D3/243
- D257,912 S \* 1/1981 Kuen-Yi ..... 206/380
- 4,286,639 A 9/1981 Murphy

- D267,052 S \* 11/1982 Rapoport ..... D3/290
- 4,402,403 A \* 9/1983 Focke ..... B65D 33/00 206/245
- D270,784 S \* 10/1983 Forrester ..... 224/918
- D297,187 S \* 8/1988 Kaczmarek ..... D3/283
- 4,960,204 A 10/1990 Young et al.
- 5,046,620 A 9/1991 Barabina
- D379,198 S \* 5/1997 Dowda ..... 229/68.1

(Continued)

**OTHER PUBLICATIONS**

Kate Spade Darla wallet, posted at Lowehousecreative.com, posting date May 5, 2011, © 2011 Elizabeth F. Clayton, [online], [site visited Jul. 14, 2016]. Available from Internet, <URL: <http://lowehousecreative.com/2011/05/kate-spade-darla-wallets/>>.\*

*Primary Examiner* — Susan E Krakower  
*Assistant Examiner* — Lisa A Grabenstetter  
(74) *Attorney, Agent, or Firm* — Kenneth H. Ohriner; Perkins Coie LLP

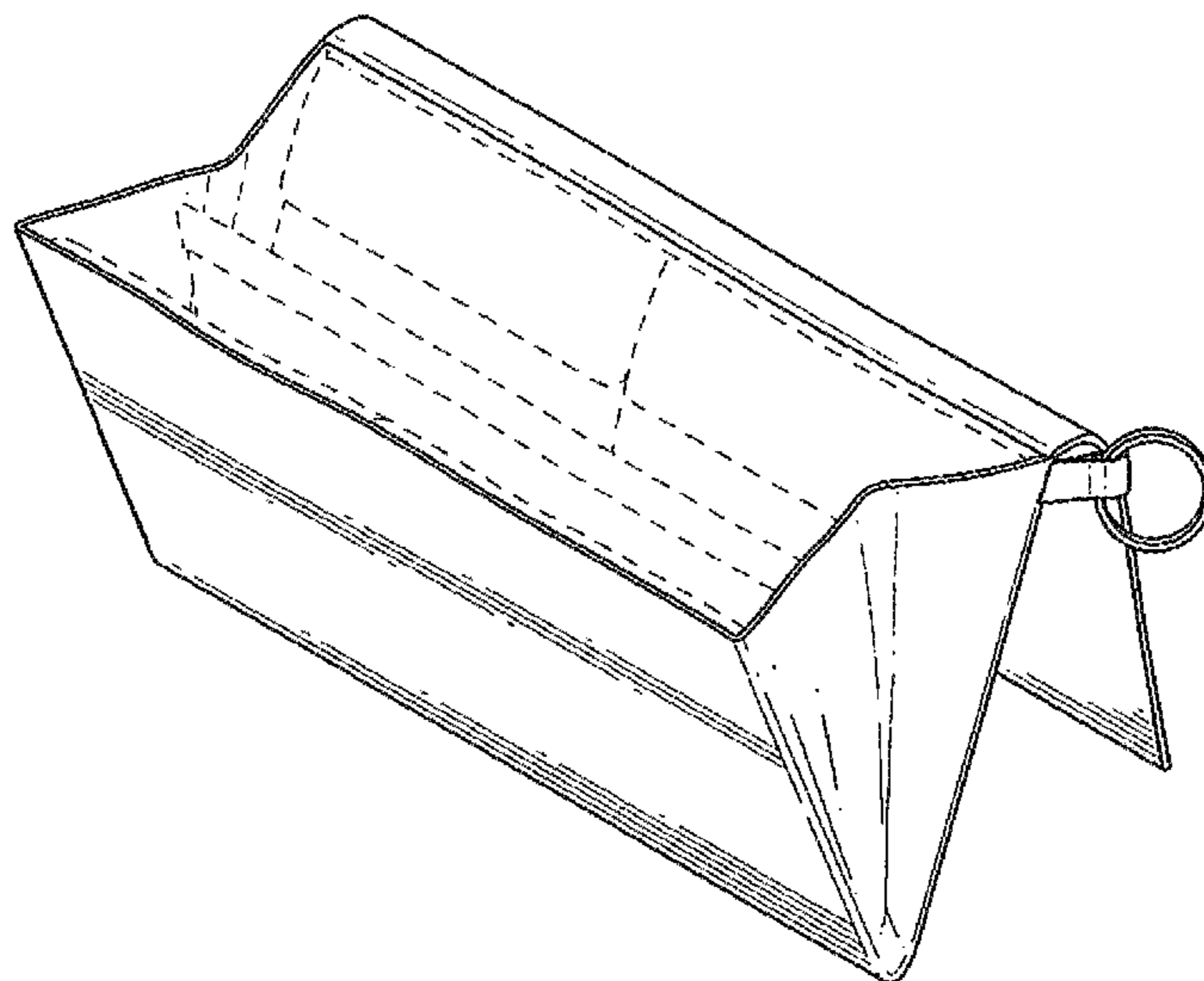
(57) **CLAIM**

The ornamental design for a holder for feminine hygiene articles, as shown and described.

**DESCRIPTION**

FIG. 1 is a top, front and left side perspective view of a holder for feminine hygiene articles, showing my new design.  
FIG. 2 is a front view.  
FIG. 3 is a back view.  
FIG. 4 is a left side view.  
FIG. 5 is a right side view.  
FIG. 6 is a top plan view; and,  
FIG. 7 is a bottom plan view.  
The interior of the holder for feminine hygiene articles, depicted in broken lines, forms no part of the claimed design.

**1 Claim, 4 Drawing Sheets**



(56)

## References Cited

## U.S. PATENT DOCUMENTS

D379,830 S \* 6/1997 Wasylyk ..... 206/38.1  
D395,005 S \* 6/1998 Burton ..... D19/3  
D405,832 S \* 2/1999 Bolden ..... D19/75  
6,039,175 A 3/2000 Wright  
D422,410 S \* 4/2000 Bischoff ..... D3/276  
D427,424 S 7/2000 Conway  
D432,784 S 10/2000 Conway  
D456,989 S \* 5/2002 Carothers ..... D3/226  
6,446,688 B1 9/2002 Sutton  
6,481,576 B1 11/2002 Watkins  
D554,701 S \* 11/2007 Kranz ..... D19/3  
D590,440 S \* 4/2009 Taute ..... D19/3  
D607,206 S \* 1/2010 Waldman ..... D3/247  
D613,502 S \* 4/2010 Hardy ..... D3/247  
D648,936 S \* 11/2011 Washington ..... D3/247  
D659,394 S \* 5/2012 Hebert ..... D3/247  
8,251,113 B2 8/2012 Baxter  
9,186,284 B1 \* 11/2015 Hernandez ..... A61F 13/55145  
D758,735 S \* 6/2016 Hernandez ..... D3/319  
2002/0153074 A1 10/2002 Chen et al.  
2006/0266663 A1 11/2006 Rhea  
2007/0090014 A1 4/2007 Wheeler et al.  
2011/0215025 A1 9/2011 Gonzales  
2013/0062246 A1 3/2013 Staples  
2013/0074997 A1 3/2013 Jones et al.

\* cited by examiner

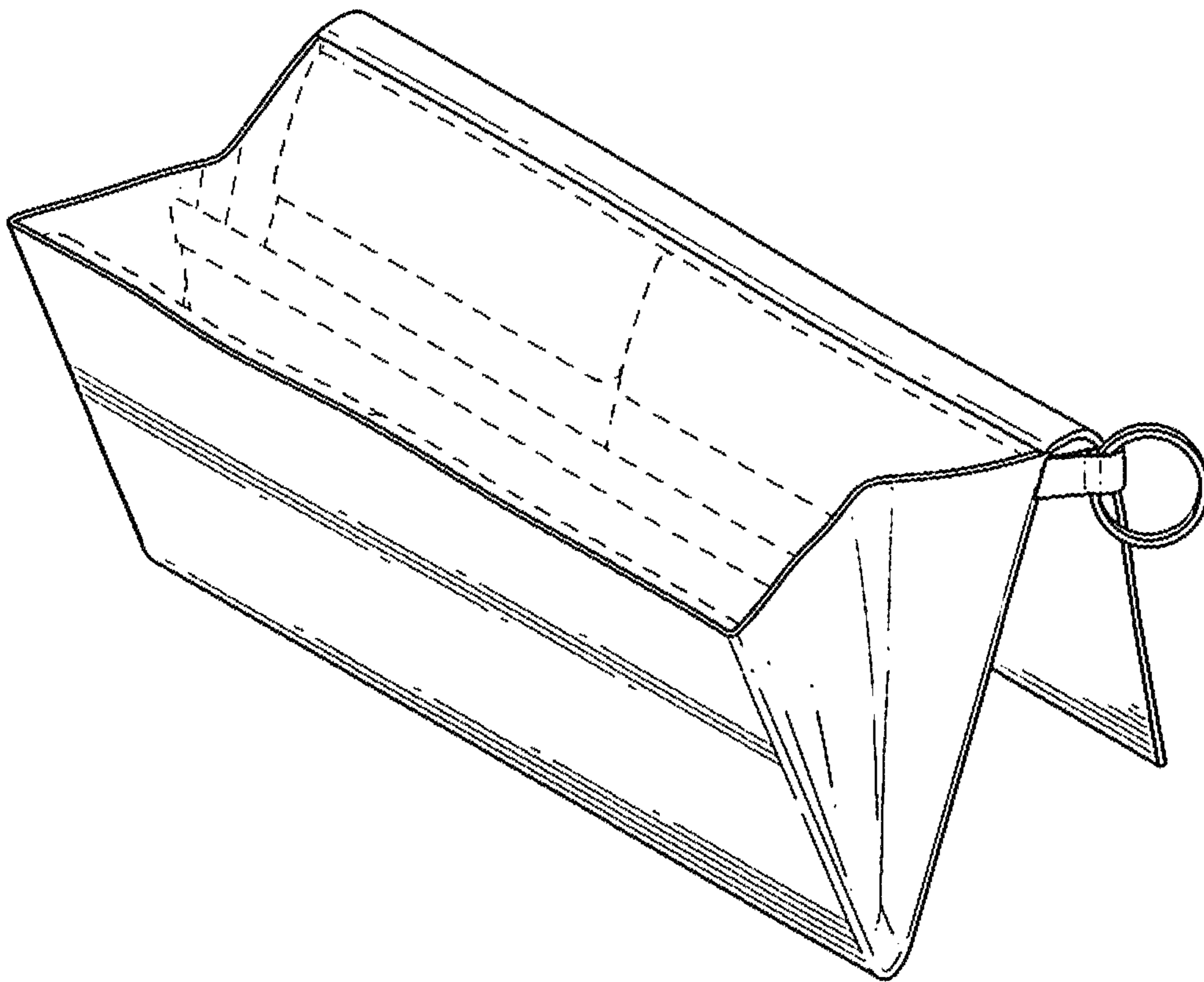


FIG. 1

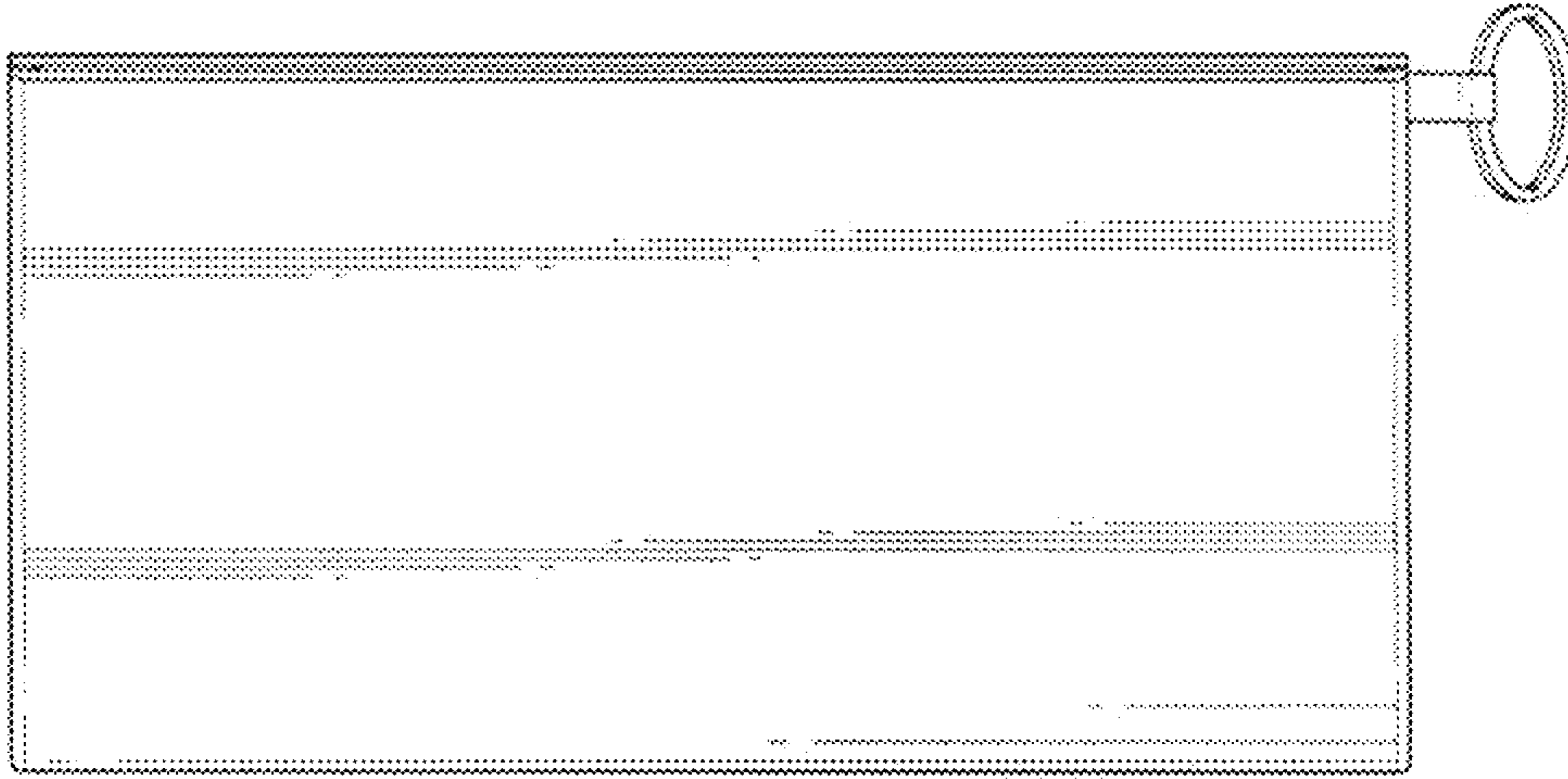


FIG. 2

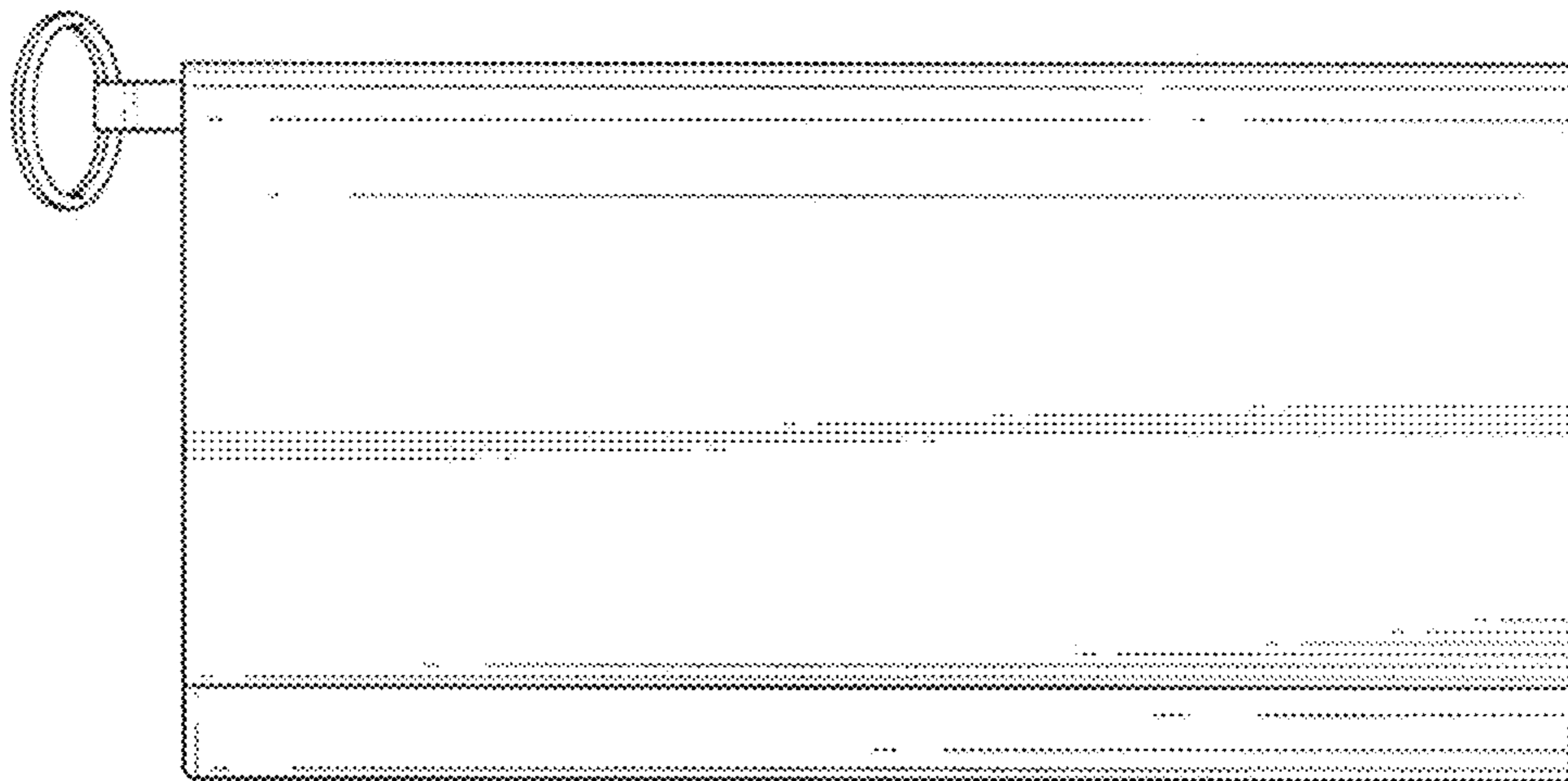


FIG. 3

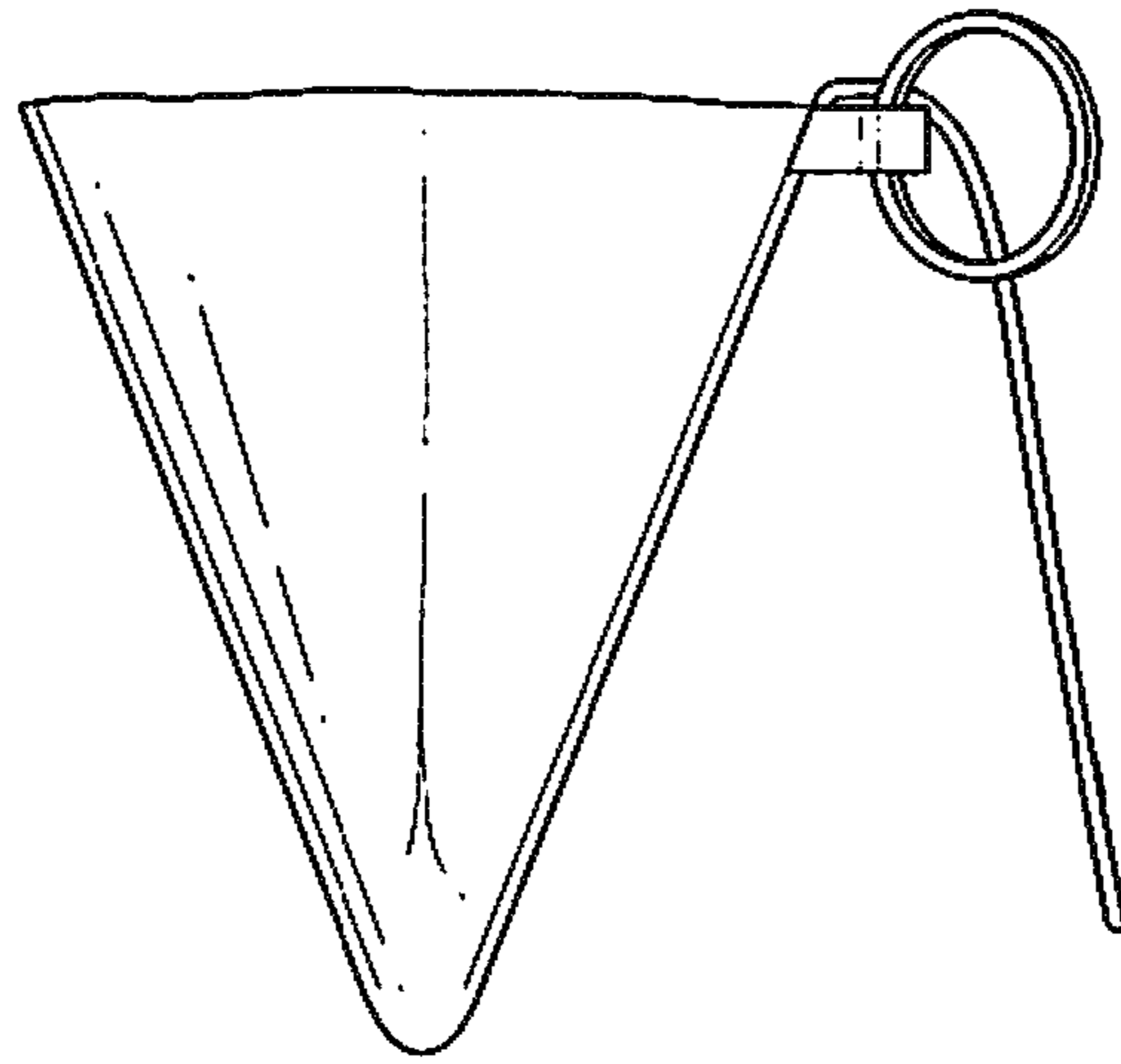


FIG. 4

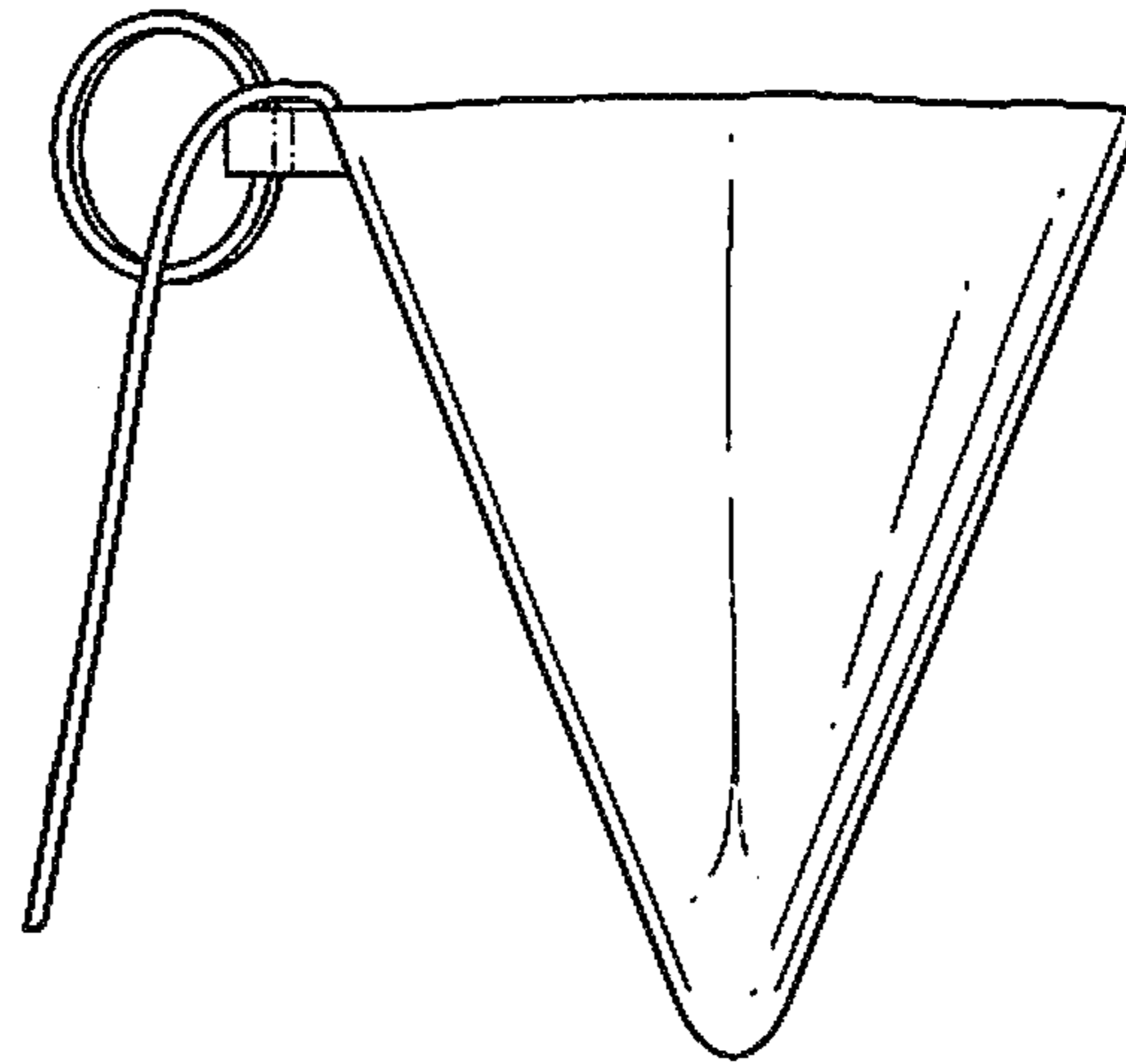


FIG. 5

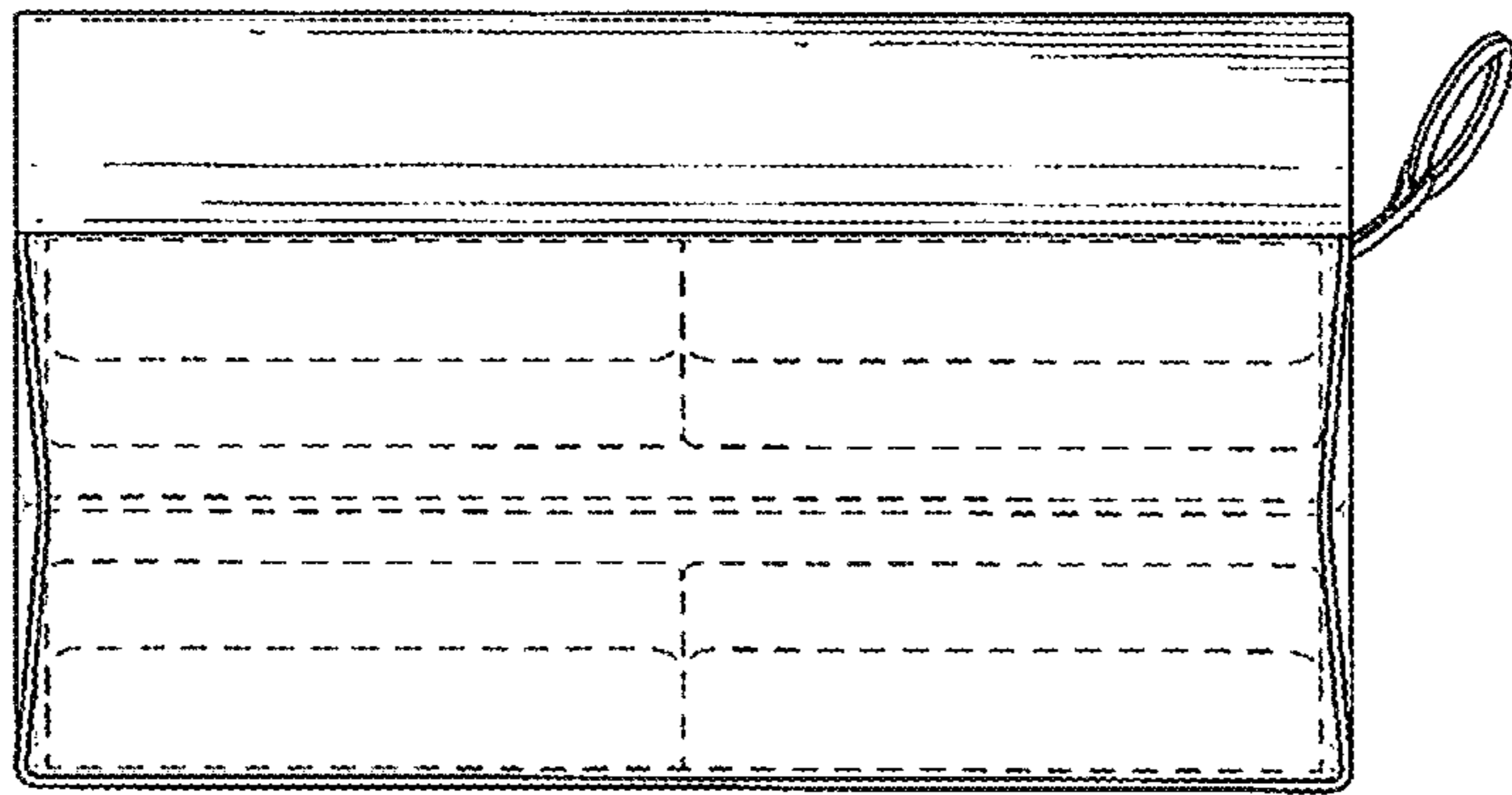


FIG. 6

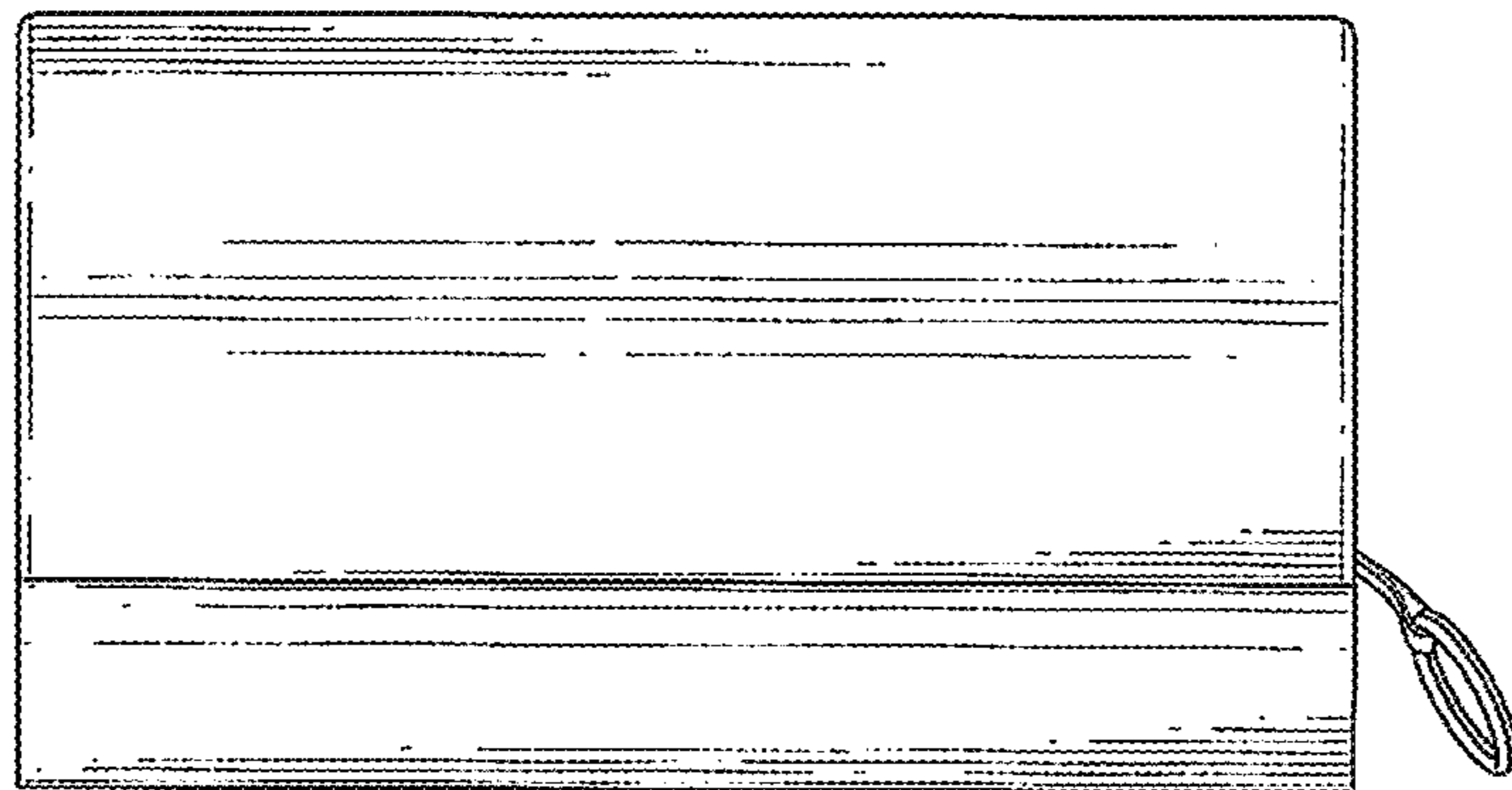


FIG. 7