



US00D782813S

(12) **United States Design Patent**
Butler

(10) **Patent No.:** **US D782,813 S**

(45) **Date of Patent:** **** Apr. 4, 2017**

(54) **FLUID CONTAINER**
(71) Applicant: **Robert Butler**, Benson, VT (US)
(72) Inventor: **Robert Butler**, Benson, VT (US)
(73) Assignee: **Robert Butler**, Benson, UT (US)
(**) Term: **15 Years**
(21) Appl. No.: **29/529,134**

6,173,866 B1 * 1/2001 Taylor, Jr. A45F 3/20
222/175
D515,805 S * 2/2006 Jones D3/215
D538,030 S * 3/2007 Karl D3/202
D539,028 S * 3/2007 Robins D3/202
D655,496 S * 3/2012 Lamey D3/215
8,167,177 B1 * 5/2012 Galgano A45F 3/16
222/175
8,622,262 B2 * 1/2014 Van Art A45F 3/20
224/148.2
9,113,699 B2 * 8/2015 Radosta A45F 3/20
D744,662 S * 12/2015 Stevens D2/614

(Continued)

(22) Filed: **Jun. 4, 2015**
(51) **LOC (10) Cl.** **03-01**
(52) **U.S. Cl.**
USPC **D3/202**
(58) **Field of Classification Search**
USPC D3/201, 202, 215, 269; D7/619.1, 624.2;
224/148.1, 148.4, 148.5, 164, 165, 175,
224/219, 267; 222/175
CPC A45F 3/20; A45F 2003/006; A45F
2005/008; A45F 5/00; A45F 3/16; A44C
5/14; A44C 5/003; A44C 5/0069; A44C
5/145
See application file for complete search history.

Primary Examiner — John Windmuller
Assistant Examiner — Steven Czyz

(57) **CLAIM**

The ornamental design for a fluid container, as shown and described.

DESCRIPTION

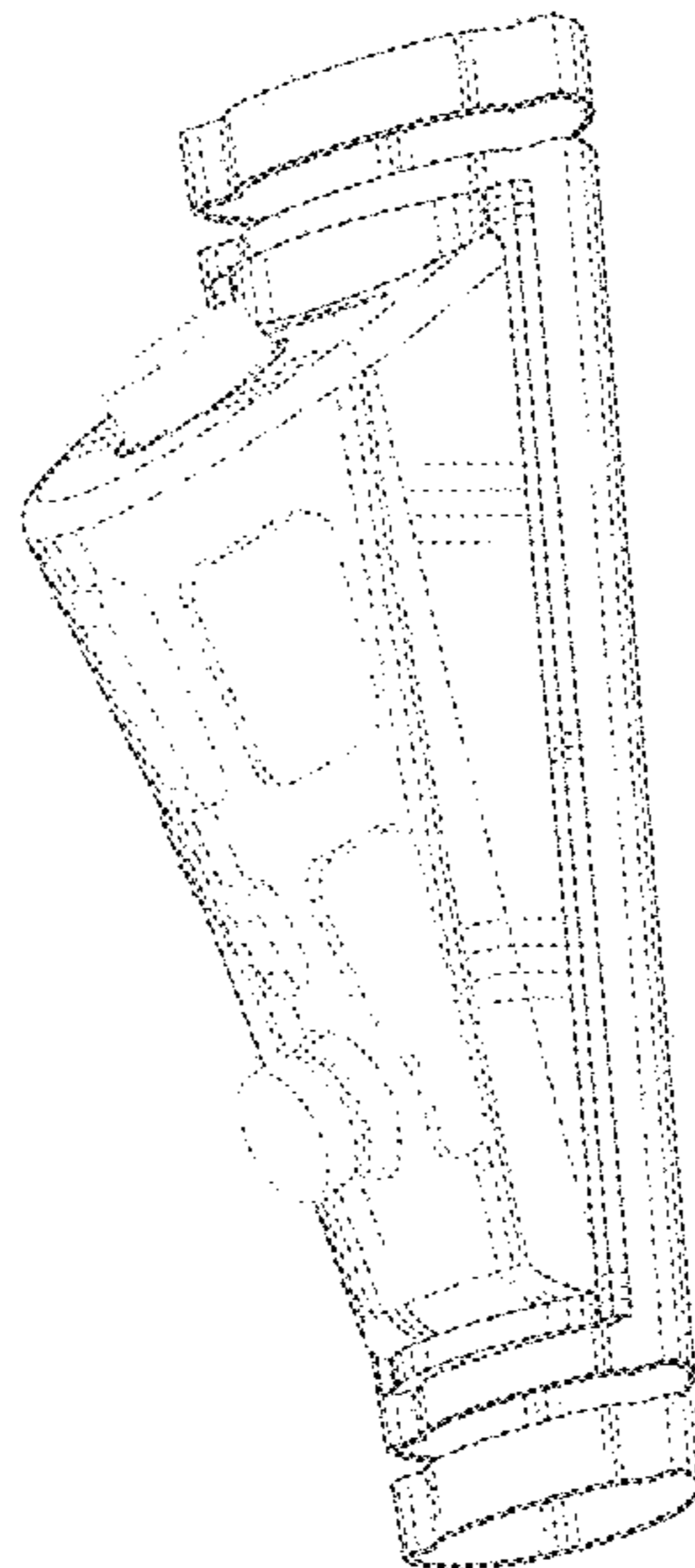
FIG. 1 is a side elevation view of a fluid container, shown with a symbolic break at both ends of the present invention; FIG. 2 is another side elevation view of the fluid container shown in use; FIG. 3 is a front plan view thereof; FIG. 4 is a rear plan view thereof; FIG. 5 is a side plan view thereof; FIG. 6 is a side plan view thereof; FIG. 7 is a top plan view thereof; and, FIG. 8 is a bottom plan view thereof. The broken lines depict portions of the article and environment that form no part of the claimed design. The two breaks intersecting the sleeve of the fluid container in the drawings depict a symbolic break in the length of the claimed design and are not part of the claimed design. The appearance of any portion of the sleeve between the break-away lines forms no part of the claimed design.

(56) **References Cited**

U.S. PATENT DOCUMENTS

4,788,631 A * 11/1988 Fuller F21V 9/083
362/103
4,988,097 A * 1/1991 Smith A45C 1/04
224/148.2
D315,245 S * 3/1991 Envall D3/202
D323,430 S * 1/1992 Niederkorn 224/221
D373,240 S * 9/1996 Parnell D3/202
5,566,869 A * 10/1996 Katz A45F 3/16
137/516.11
D404,908 S * 2/1999 Lollis D3/215
D408,988 S * 5/1999 Barber D3/215

1 Claim, 8 Drawing Sheets



(56)

References Cited

U.S. PATENT DOCUMENTS

D744,746	S *	12/2015	Ballesteros	D3/215
9,238,539	B2 *	1/2016	Lynch	B65D 75/5877
D749,315	S *	2/2016	Ross	D3/215
2010/0001022	A1 *	1/2010	McInerney	A45F 3/16 222/175
2010/0019006	A1 *	1/2010	Van Art	A45F 3/20 224/148.2
2012/0048898	A1 *	3/2012	Franklin	A45F 3/20 224/148.2
2012/0152986	A1 *	6/2012	Van Art	A45F 3/20 224/148.2
2013/0026248	A1 *	1/2013	Paulsen	A45F 5/00 239/1

* cited by examiner

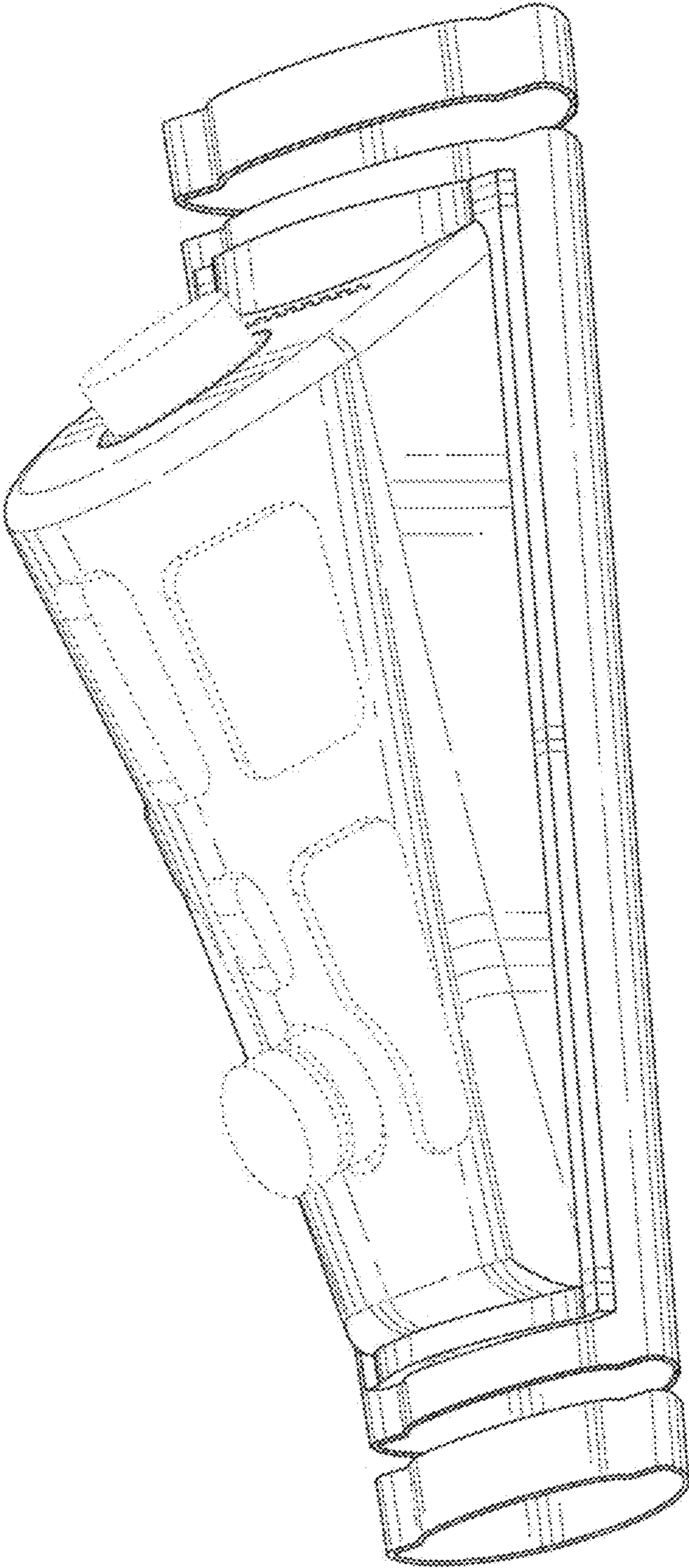


FIG. 1

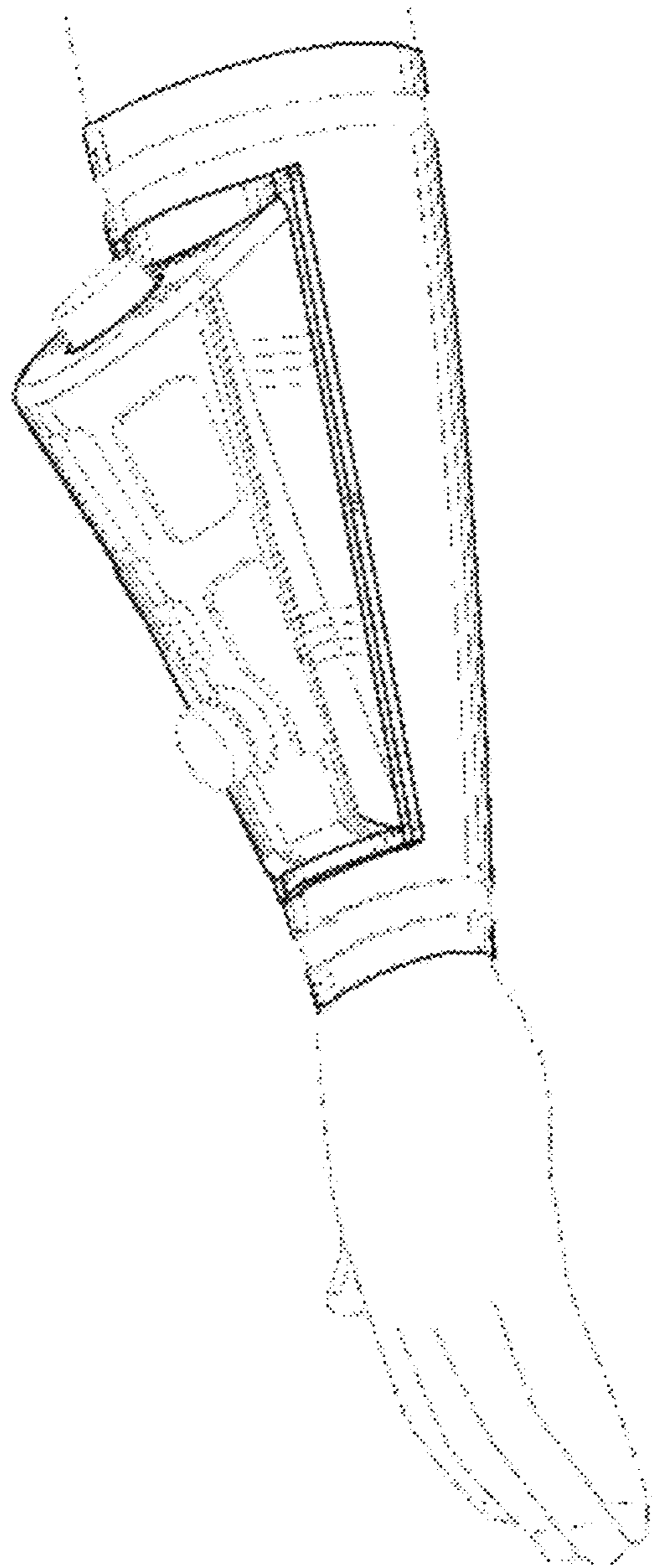


FIG. 2

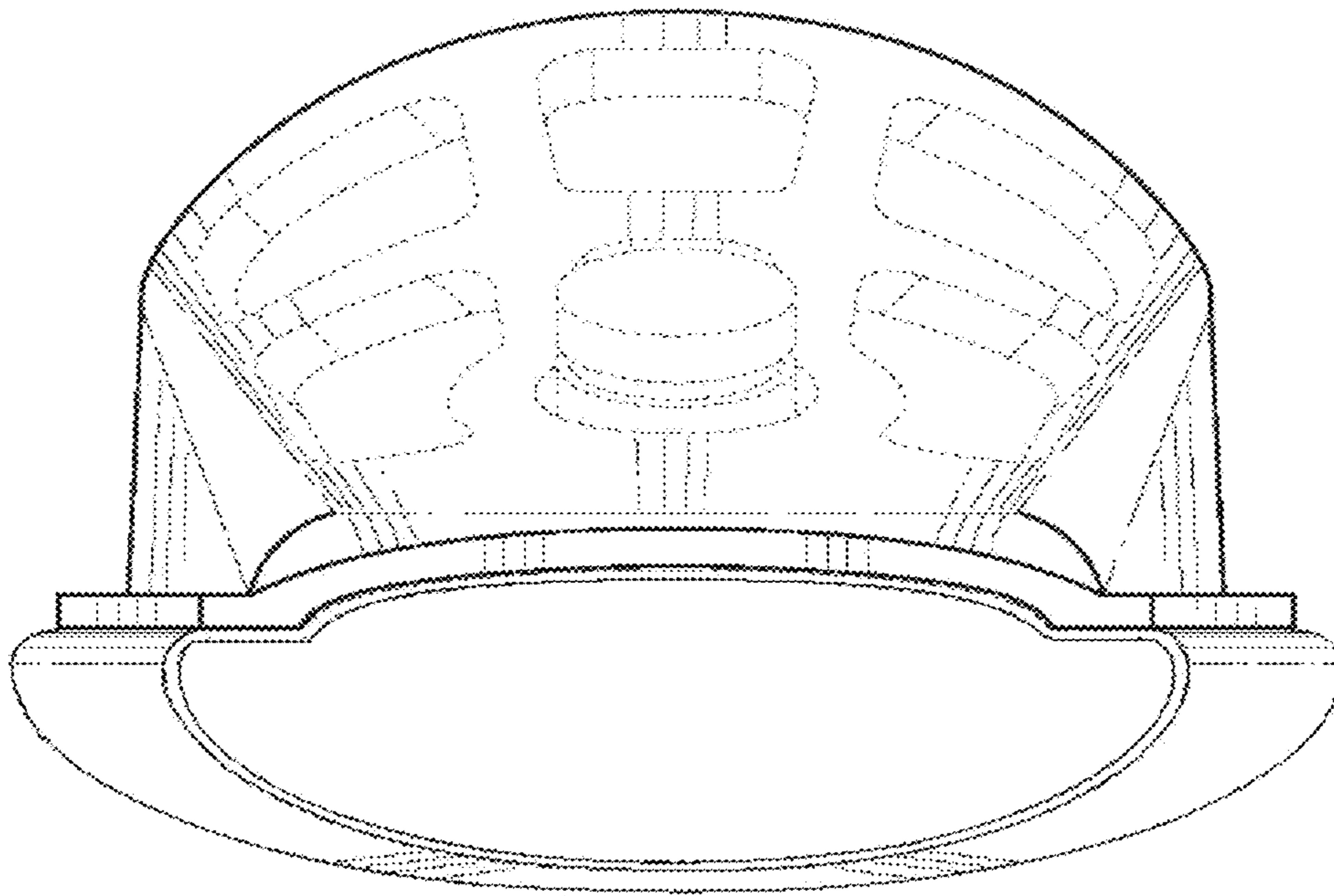


FIG. 3

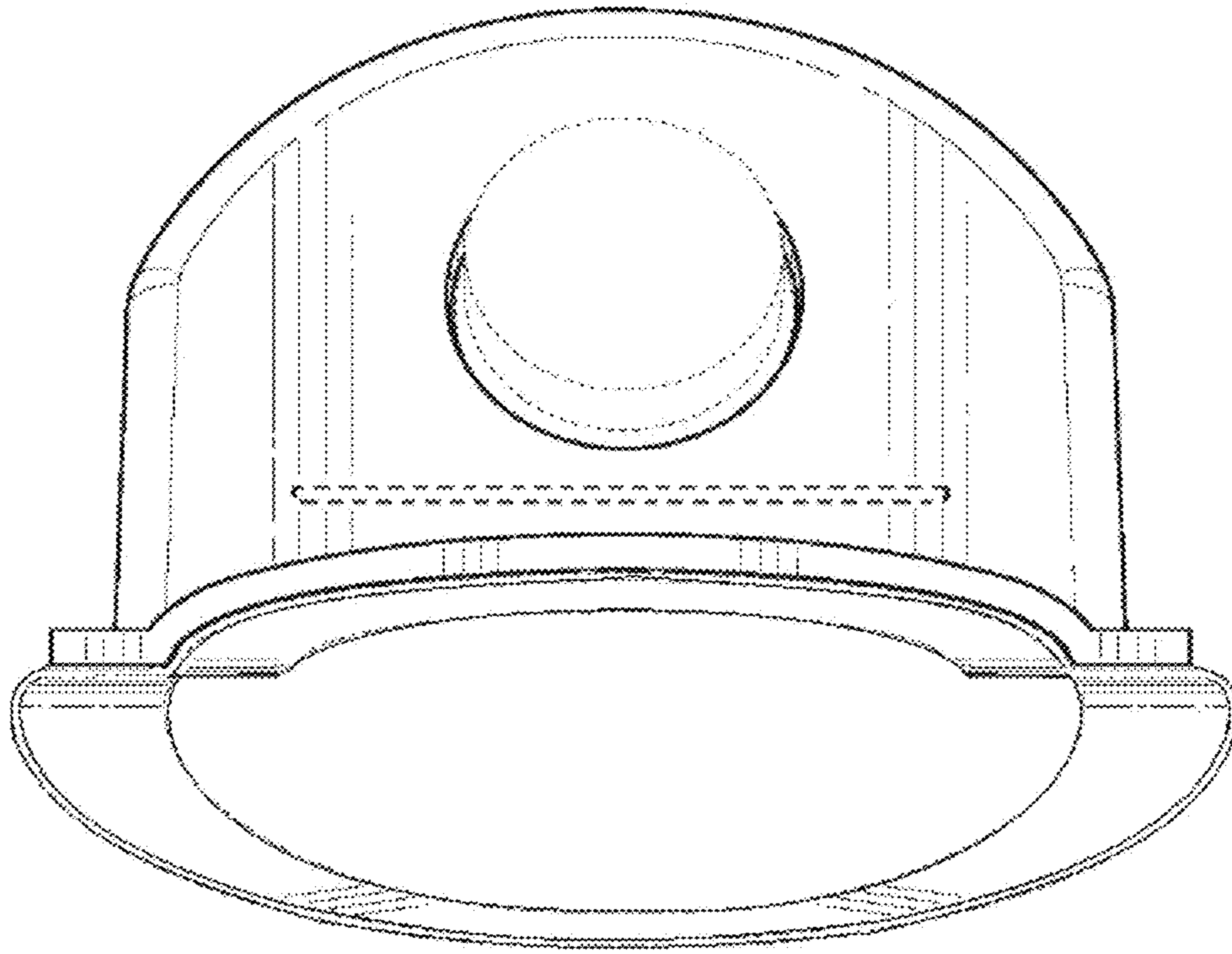


FIG. 4

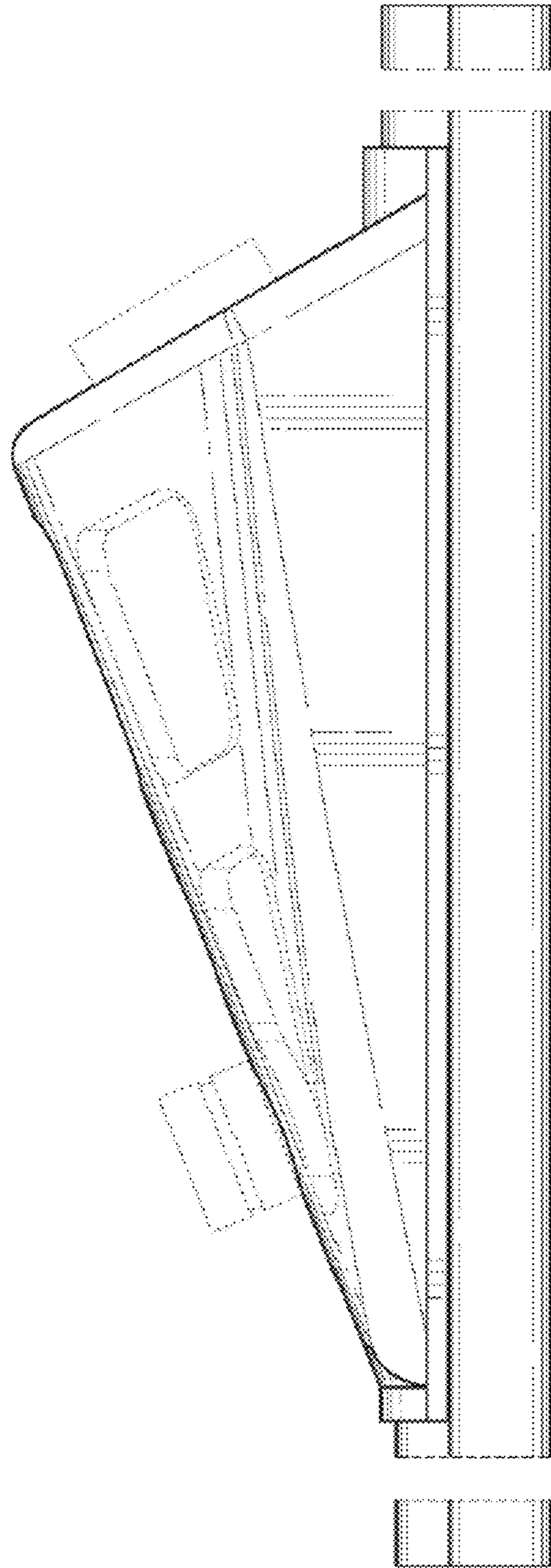


FIG. 5

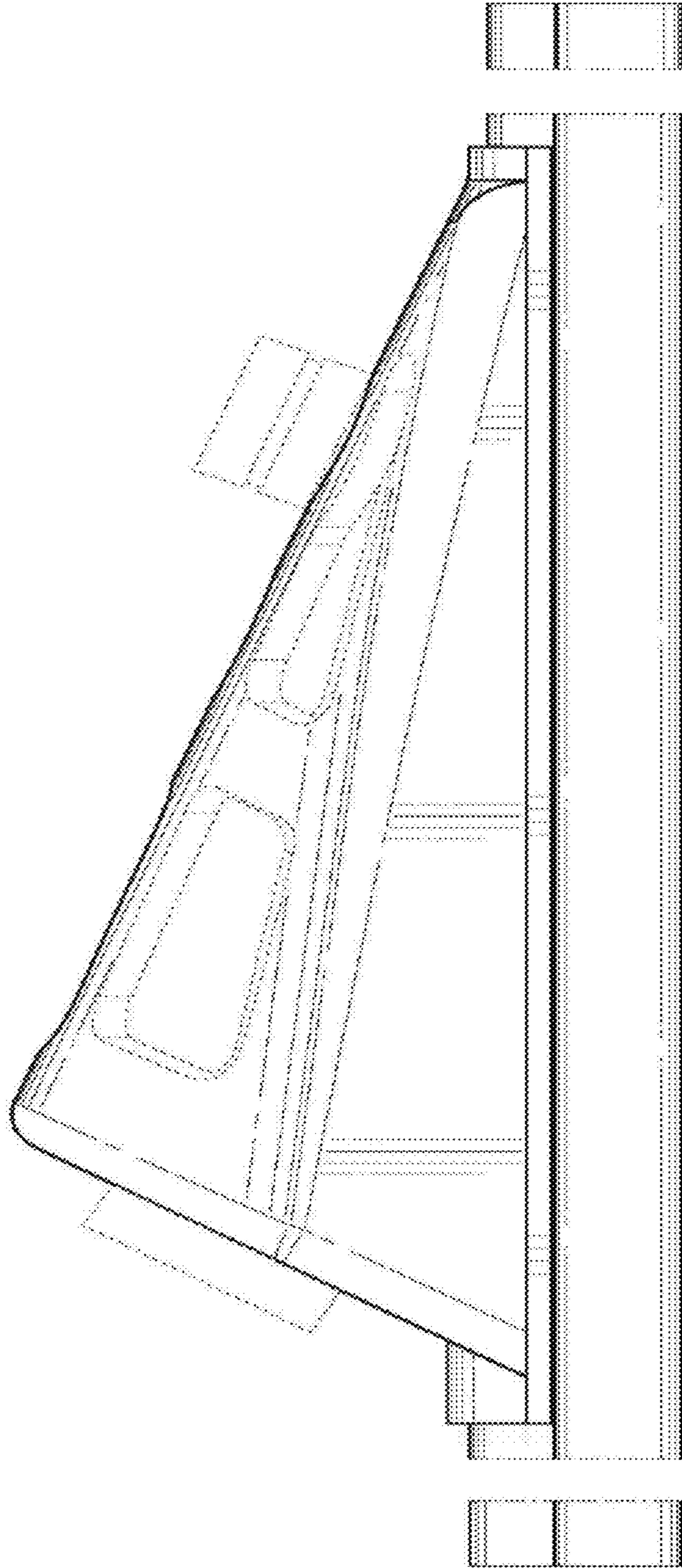


FIG. 6

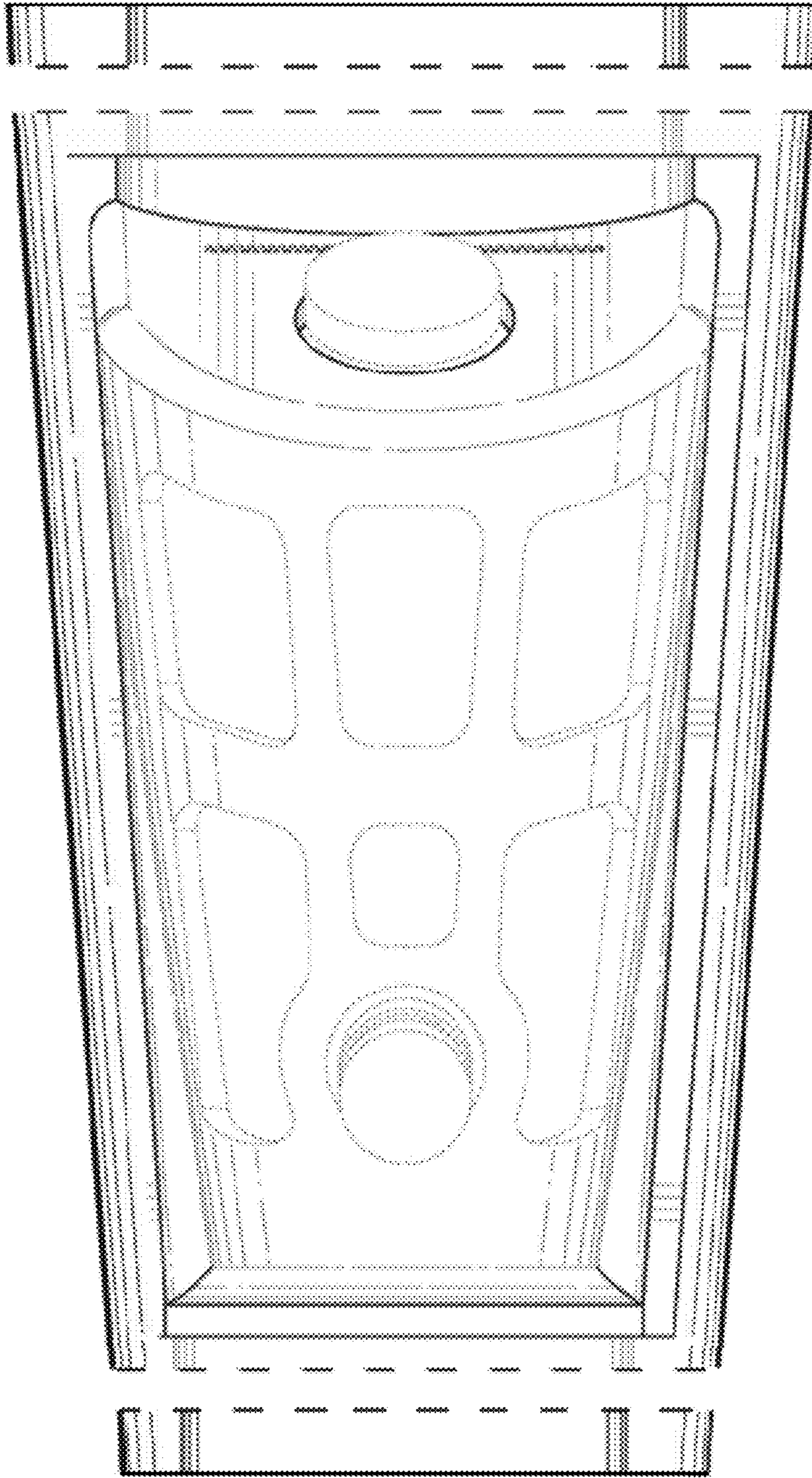


FIG. 7

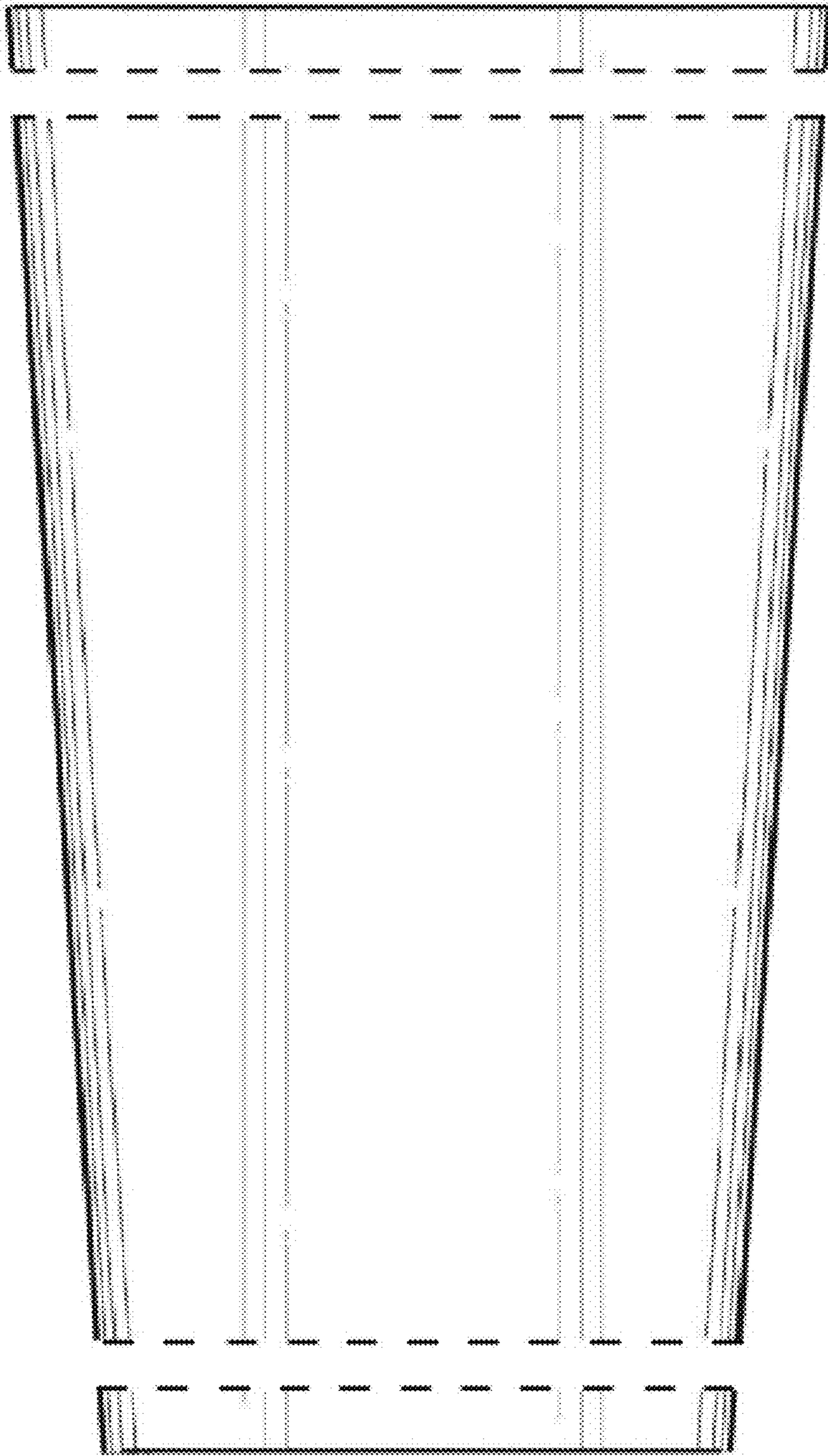


FIG. 8