



US00D782812S

(12) **United States Design Patent** (10) **Patent No.:** **US D782,812 S**  
**Chen** (45) **Date of Patent:** **\*\* Apr. 4, 2017**

(54) **WALKING STICK HANDLE**  
(71) Applicant: **Shenzhen Huahai Technology Co., Ltd**, Shenzhen, Guangdong (CN)  
(72) Inventor: **Lei Chen**, Guangdong (CN)  
(73) Assignee: **SHENZHEN HUAHAI TECHNOLOGY CO., LTD**, Shenzhen (CN)  
(\*\*) Term: **15 Years**  
(21) Appl. No.: **29/546,881**  
(22) Filed: **Nov. 27, 2015**  
(51) **LOC (10) Cl.** ..... **03-03**  
(52) **U.S. Cl.**  
USPC ..... **D3/12**  
(58) **Field of Classification Search**  
USPC ..... D3/5, 7, 9, 10, 12, 13; D12/130, 133; D8/300, 301  
CPC ..... A45B 1/00; A45B 1/04; A45B 2200/00; A45B 2200/05; A45B 2200/005; A45B 9/02; A45B 7/00; A45B 3/02; A45B 3/04; F16M 13/08  
See application file for complete search history.

D625,510 S \* 10/2010 Muller ..... D3/12  
D627,149 S \* 11/2010 Wu ..... D3/12  
8,573,795 B1 \* 11/2013 Lai ..... A45B 3/04  
362/102  
D698,140 S \* 1/2014 Parker ..... D3/13  
D722,762 S \* 2/2015 Kroeker ..... D3/12  
2002/0189657 A1 \* 12/2002 Yuan ..... A45B 3/04  
135/65  
2004/0255995 A1 \* 12/2004 Garrett ..... A45B 7/005  
135/66  
2006/0254633 A1 \* 11/2006 Willis ..... A45B 9/00  
135/74  
2006/0266397 A1 \* 11/2006 Berl ..... A61H 3/02  
135/70  
2007/0151587 A1 \* 7/2007 Yu ..... A01M 29/16  
135/66  
2007/0251559 A1 \* 11/2007 Yu ..... A45B 3/00  
135/66

(Continued)

*Primary Examiner* — John Windmuller  
*Assistant Examiner* — Steven Czyz

(57) **CLAIM**

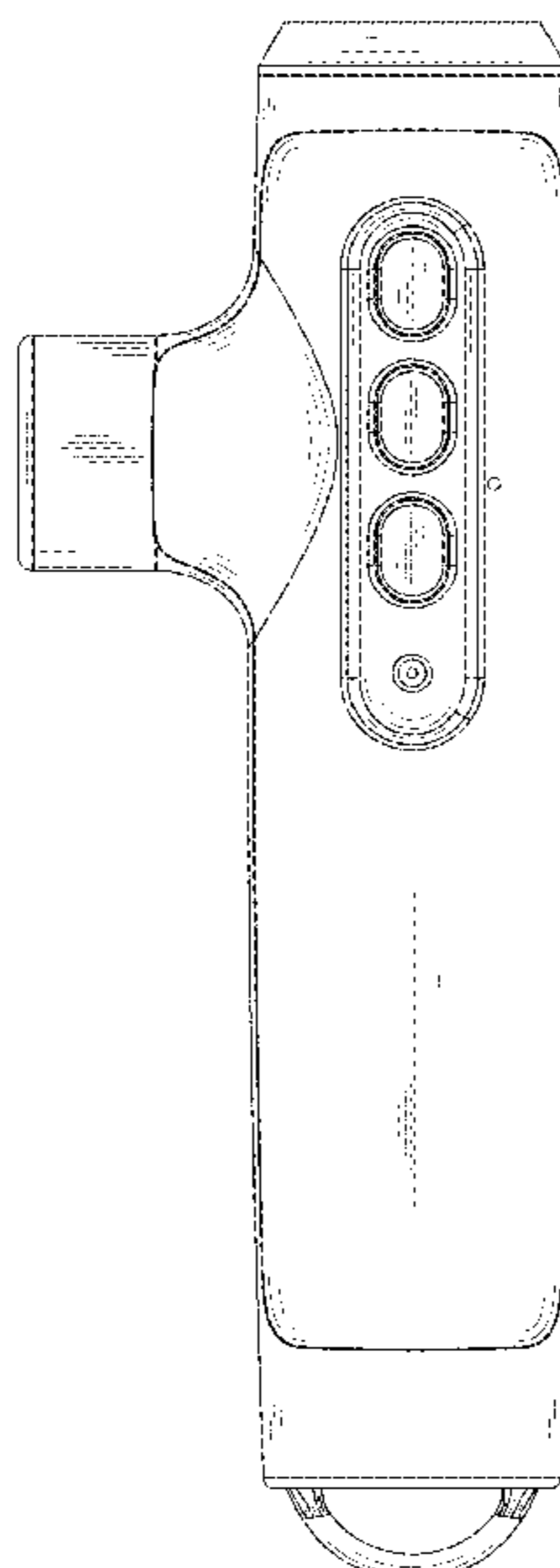
The ornamental design for a walking stick handle, as shown and described.

**DESCRIPTION**

FIG. 1 is a front elevational view of a walking stick handle showing my new design;  
FIG. 2 is a rear elevational view thereof;  
FIG. 3 is a right side view thereof;  
FIG. 4 is a left side view thereof;  
FIG. 5 is a top plan view thereof;  
FIG. 6 is a bottom plan view thereof;  
FIG. 7 is a first perspective view thereof; and,  
FIG. 8 is a second perspective view thereof.  
The broken lines depict portions of the article that form no part of the claimed design.

**1 Claim, 8 Drawing Sheets**

(56) **References Cited**  
U.S. PATENT DOCUMENTS  
4,583,080 A \* 4/1986 DiVito ..... A45B 3/00  
135/910  
4,625,742 A \* 12/1986 Phillips ..... A45B 3/04  
135/66  
5,056,545 A \* 10/1991 Spaeth ..... A45B 1/00  
135/66  
D441,950 S \* 5/2001 Suen ..... D3/7  
D518,630 S \* 4/2006 Mival ..... D3/12  
D544,201 S \* 6/2007 Berl ..... D3/12  
D555,350 S \* 11/2007 Graves ..... D3/7



(56)

**References Cited**

U.S. PATENT DOCUMENTS

2008/0251109	A1 *	10/2008	Lee	.....	A45B 3/00 135/66
2010/0043853	A1 *	2/2010	Wu	.....	A45B 3/04 135/66
2012/0145206	A1 *	6/2012	Parry	.....	A45B 9/02 135/66
2013/0141899	A1 *	6/2013	Lee	.....	A45B 3/04 362/102
2015/0062874	A1 *	3/2015	Chien	.....	A45B 9/02 362/102
2015/0196102	A1 *	7/2015	Moreau	.....	A45B 9/00 135/66

\* cited by examiner

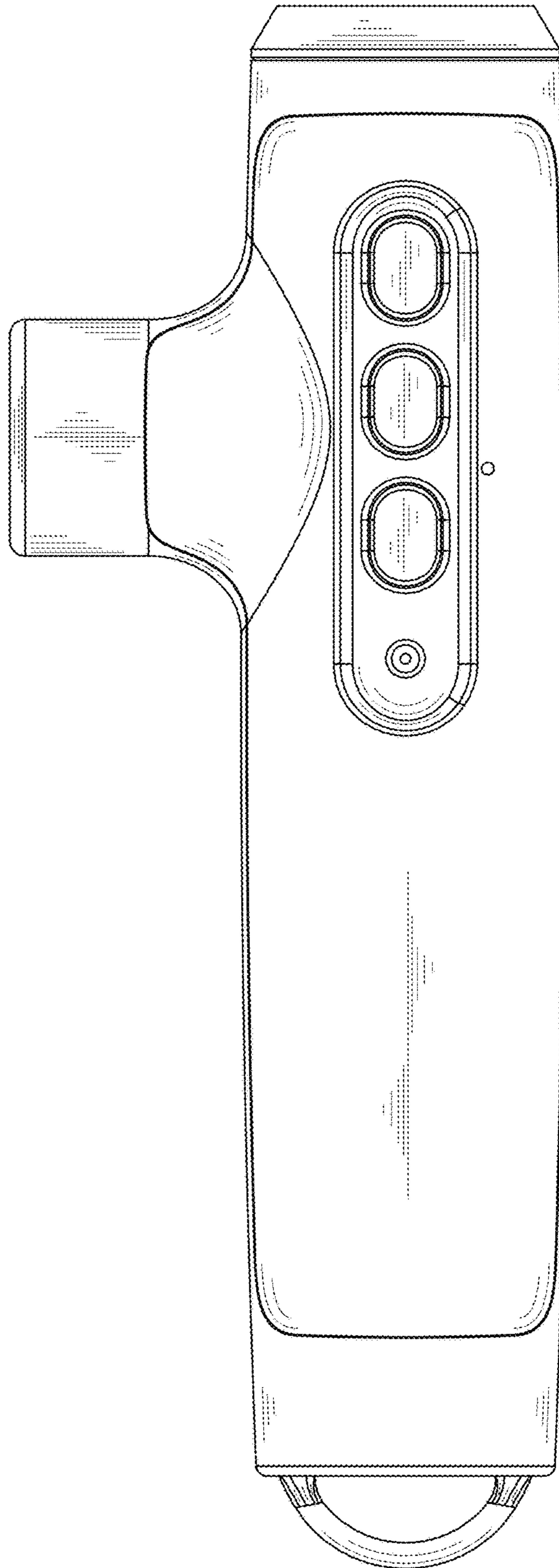


Fig. 1

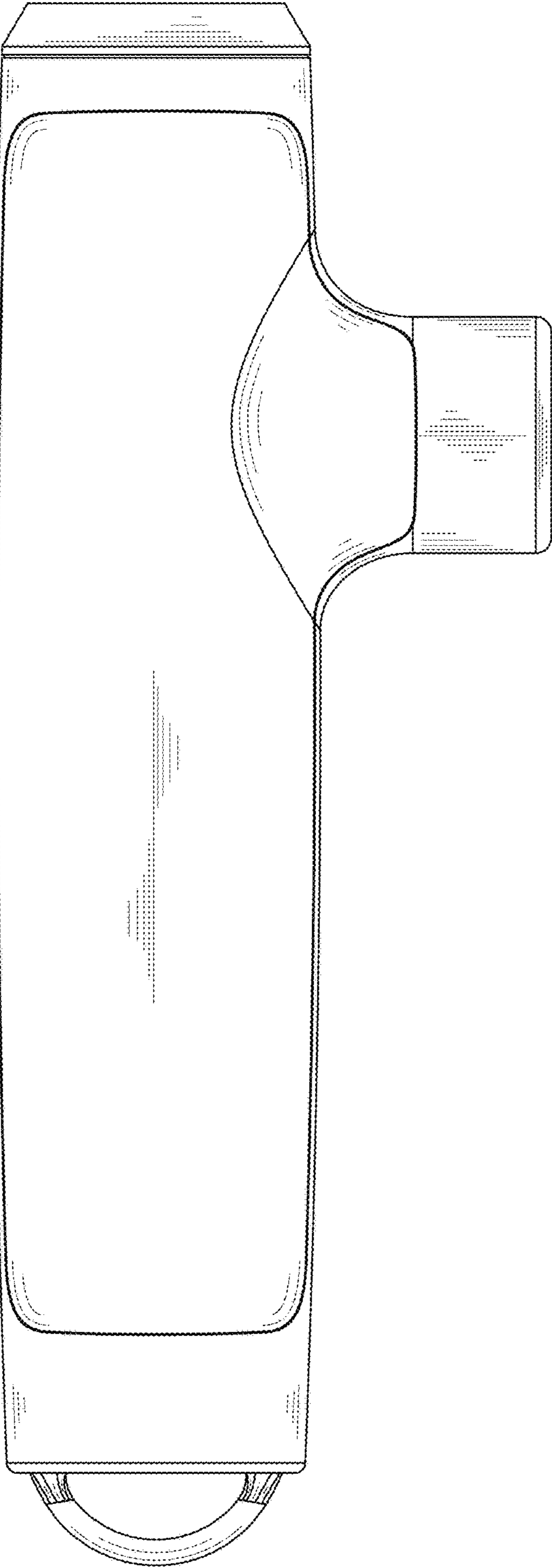


Fig. 2

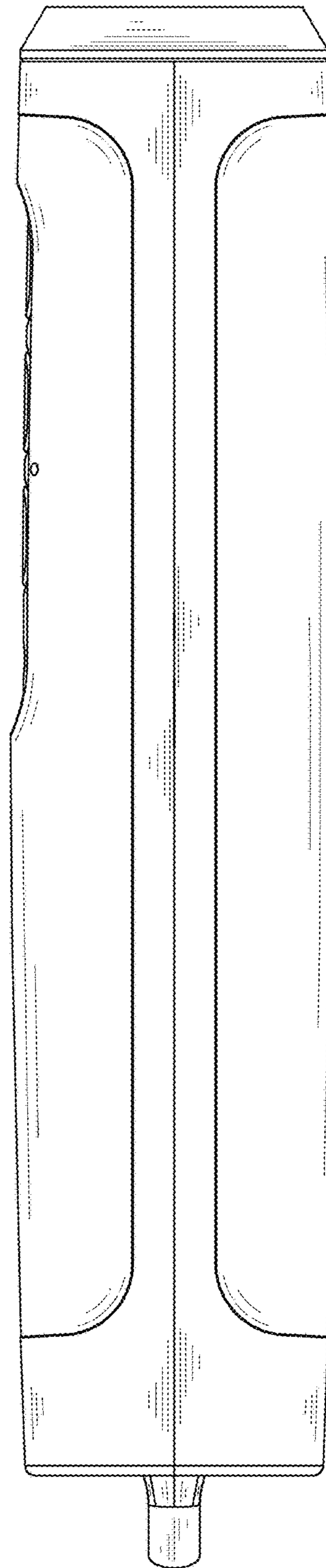


Fig. 3

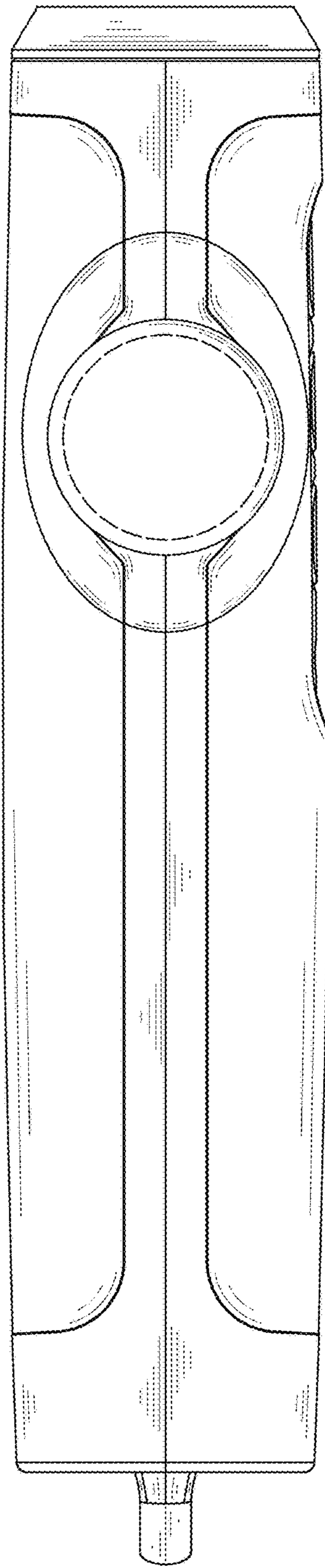


Fig. 4

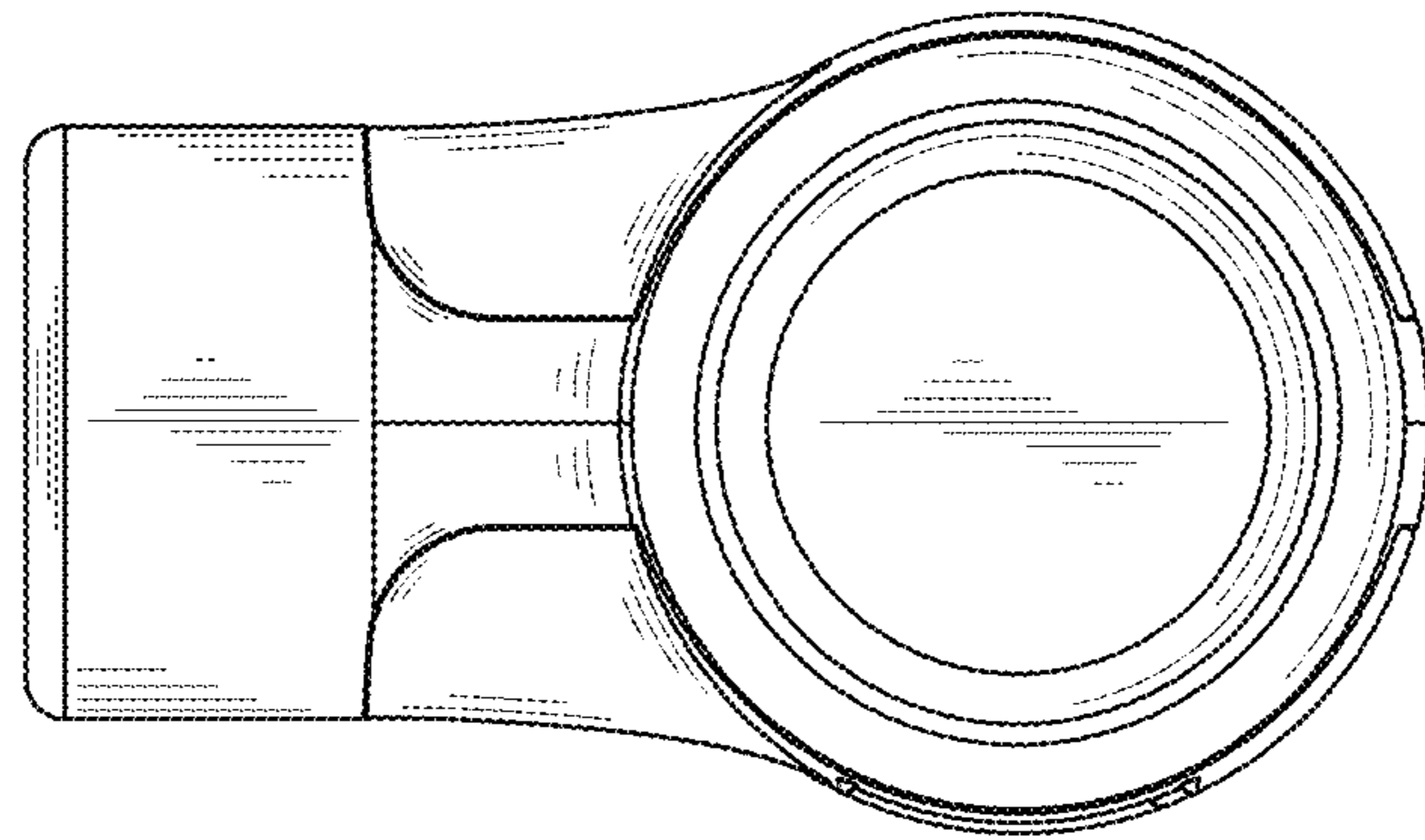


Fig. 5

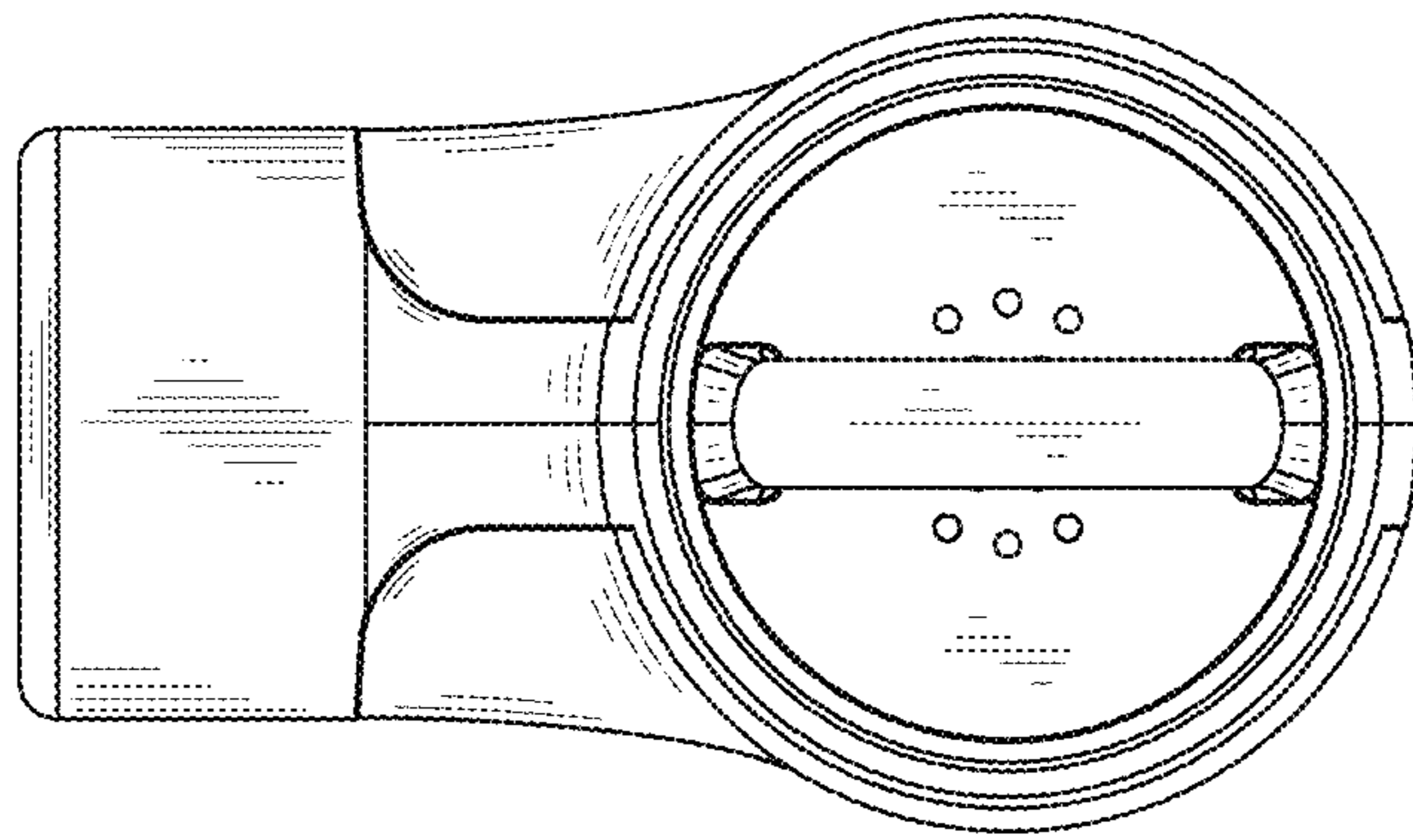


Fig. 6



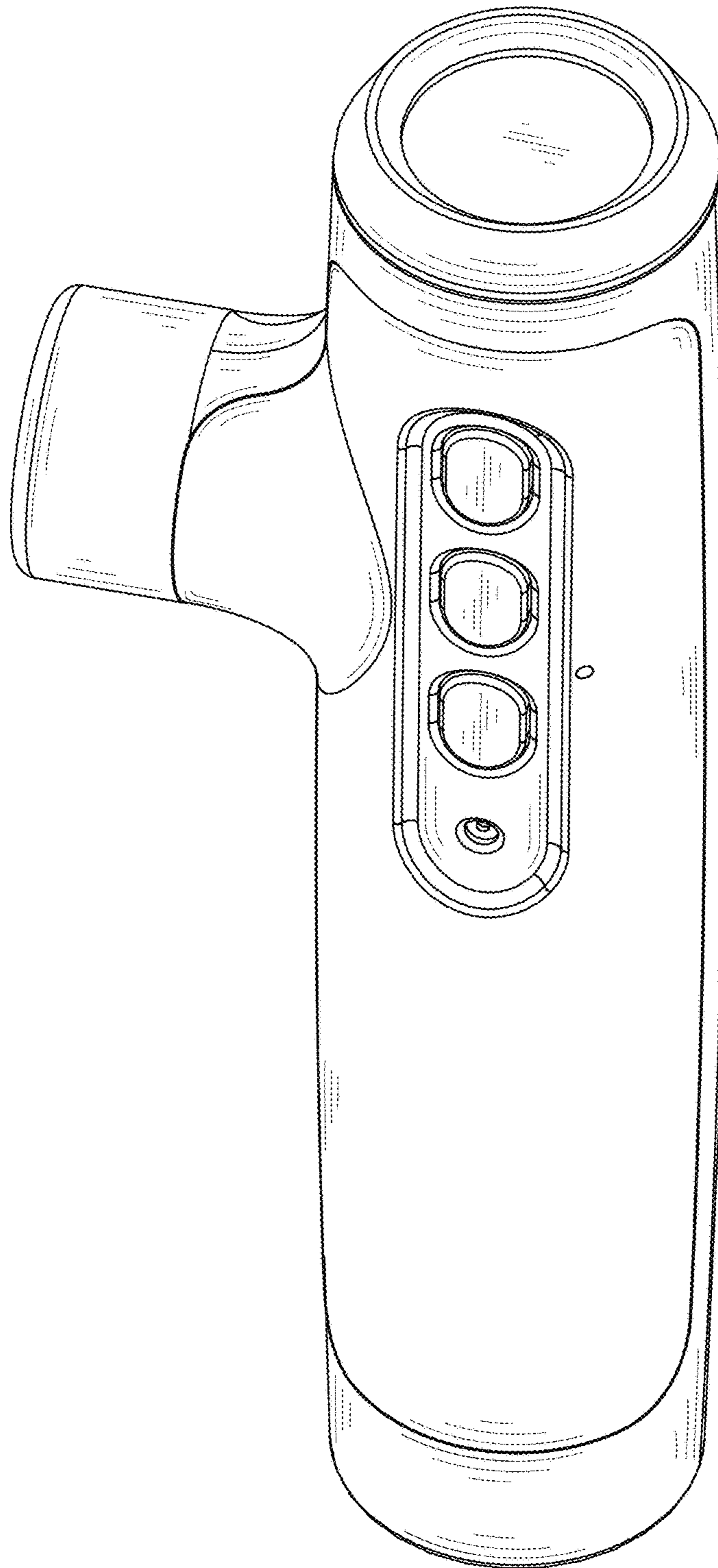


Fig. 7

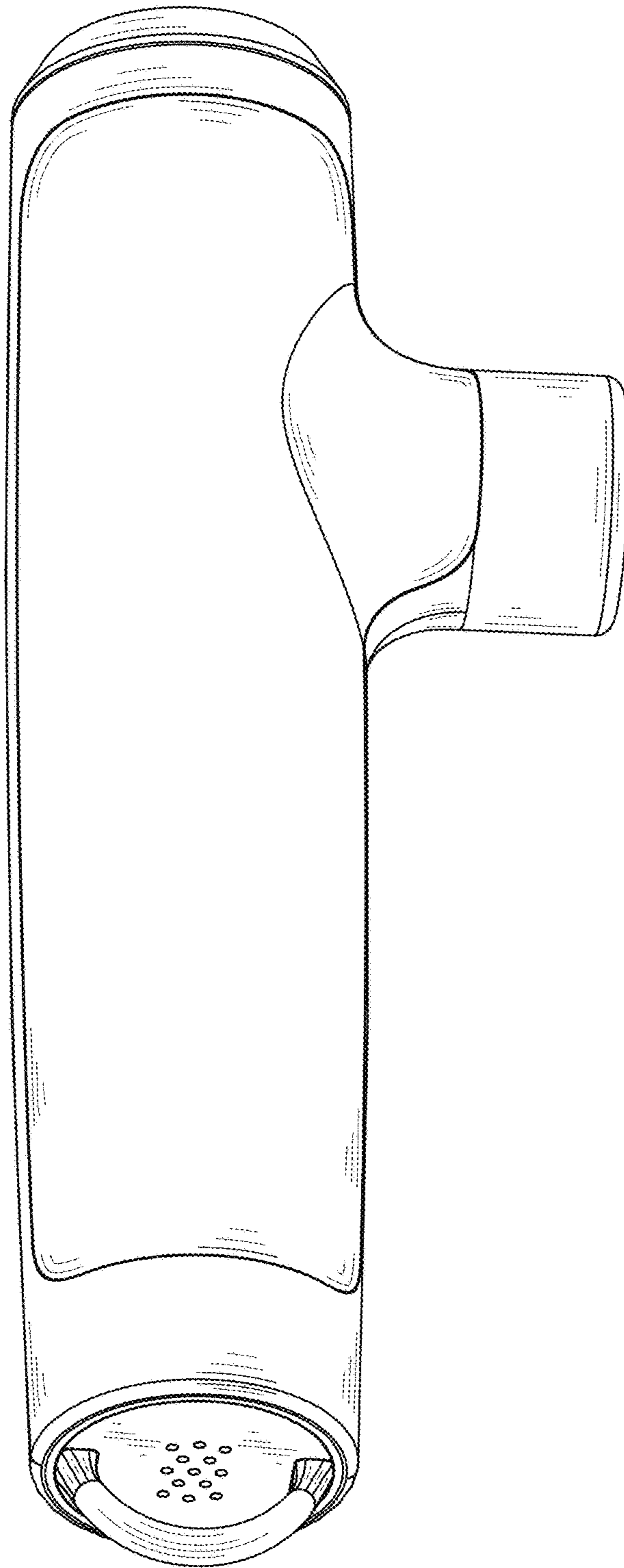


Fig. 8