



US00D782784S

(12) **United States Design Patent** (10) **Patent No.:** **US D782,784 S**  
**Smith** (45) **Date of Patent:** **\*\* Apr. 4, 2017**

(54) **MAGNETIC COLLAR LINK**

(71) Applicant: **Durand Smith**, Orlando, FL (US)

(72) Inventor: **Durand Smith**, Orlando, FL (US)

(\*\*) Term: **15 Years**

(21) Appl. No.: **29/569,398**

(22) Filed: **Jun. 27, 2016**

**Related U.S. Application Data**

(63) Continuation-in-part of application No. 29/491,260, filed on May 19, 2014, now abandoned.

(51) **LOC (10) Cl.** ..... **02-02**

(52) **U.S. Cl.**

USPC ..... **D2/859**

(58) **Field of Classification Search**

USPC ..... D2/891, 841, 840, 842, 849, 600, 602, D2/853, 859, 609; 2/98, 103, 102, 60,  
(Continued)

(56) **References Cited**

**U.S. PATENT DOCUMENTS**

D507,205 S \* 7/2005 Bier ..... 24/900.1  
7,409,730 B2 \* 8/2008 Boos ..... A41F 1/002  
2/132

(Continued)

*Primary Examiner* — Abraham Bahta

(74) *Attorney, Agent, or Firm* — Shanti Hill, Esq.; Beusse Wolter Sanks & Maire, PLLC

(57) **CLAIM**

I claim the ornamental design for a magnetic collar link, as shown and described.

**DESCRIPTION**

FIG. 1 is a right top perspective view of the magnetic collar link showing an elongated portion and a link portion connected.

FIG. 2 is a bottom left perspective view of the magnetic collar link.

FIG. 3 is a top elevation view of the magnetic collar link.

FIG. 4 is a bottom elevation view of the magnetic collar link.

FIG. 5 is a side elevation view of the magnetic collar link.

FIG. 6 is a front elevation view of the magnetic collar link, without the elongated portion.

FIG. 7 is a rear elevation view of the magnetic collar link, without the elongated portion.

FIG. 8 is a top left perspective view of the magnetic collar link showing the elongated portion and the link portion separated.

FIG. 9 is a bottom right perspective view of the magnetic collar link showing the elongated portion and the link portion separated.

FIG. 10 is an alternative side view of the magnetic collar link showing the elongated portion and the link portion separated.

FIG. 11 is an alternative top elevation view of the magnetic collar link showing the elongated portion and the link portion separated.

FIG. 12 is an alternative bottom elevation view of the magnetic collar link showing the elongated portion and the link portion separated.

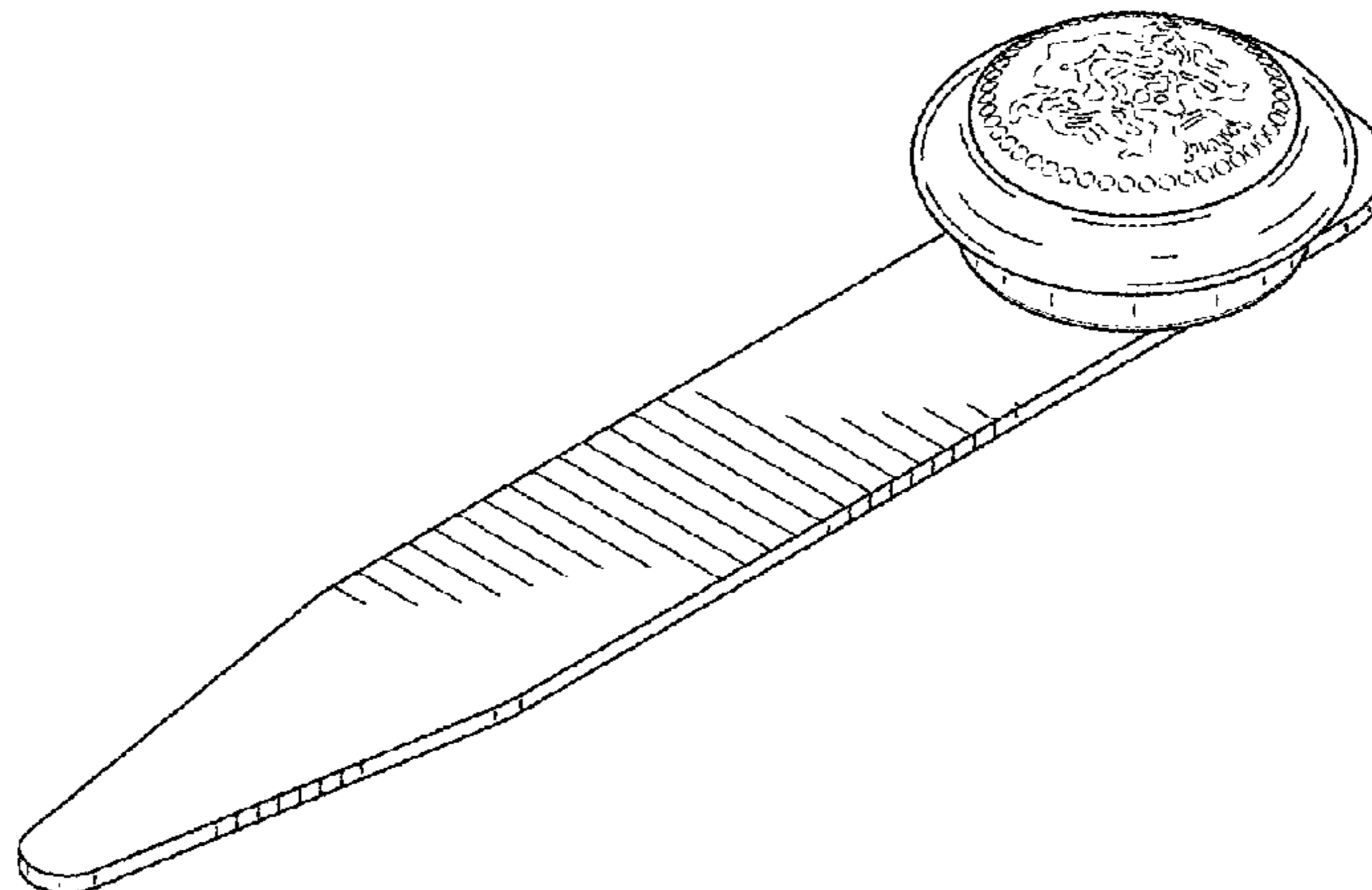
FIG. 13 is an alternative front right perspective view showing the elongated portion separated from the link portion, and the link portion further separated into a lower magnet portion and an upper crest portion.

FIG. 14 is an alternative bottom left perspective view showing the elongated portion separated from the link portion, and the link portion further separated into the lower magnet portion and the upper crest portion; and,

FIG. 15 is an alternative side elevation view showing the elongated portion separated from the link portion, and the link portion further separated into the lower magnet portion and the upper crest portion.

The broken line showing of portions of the magnetic collar link is included for the purpose of illustrating environmental structure and forms no part of the claimed design.

**1 Claim, 6 Drawing Sheets**



(58) **Field of Classification Search**

USPC .... 2/134, 108, 112–117, 129–130, 142, 132,  
2/139, 255–263; D11/200–202;  
24/900.1, 50, 51, 61, 114.1, 589.1, 706,  
24/49.1, 66.4; 63/1.18, 1.11, 3.1  
CPC .... A41B 3/00; A41B 3/04; A41B 3/06; A41B  
3/08; A41B 3/16; A41D 27/00; A41D  
27/06; A41D 27/16; A41D 27/18

See application file for complete search history.

(56) **References Cited**

U.S. PATENT DOCUMENTS

|                   |         |                     |                    |
|-------------------|---------|---------------------|--------------------|
| D640,042 S *      | 6/2011  | Biancamano .....    | D2/859             |
| D652,606 S *      | 1/2012  | Eisenberg .....     | D2/609             |
| D666,790 S *      | 9/2012  | Eisenberg .....     | D2/859             |
| D667,199 S *      | 9/2012  | Eisenberg .....     | D2/859             |
| D671,715 S *      | 12/2012 | Schottenstein ..... | D2/859             |
| D678,661 S *      | 3/2013  | Eisenberg .....     | D2/859             |
| 8,973,165 B1 *    | 3/2015  | Zaki .....          | A41B 3/06<br>2/132 |
| 9,003,566 B2 *    | 4/2015  | Weiss .....         | A41B 3/06<br>2/132 |
| 9,084,441 B1 *    | 7/2015  | Azer .....          | A41B 3/06          |
| 2007/0204374 A1 * | 9/2007  | Bier .....          | A41D 27/08<br>2/60 |

\* cited by examiner

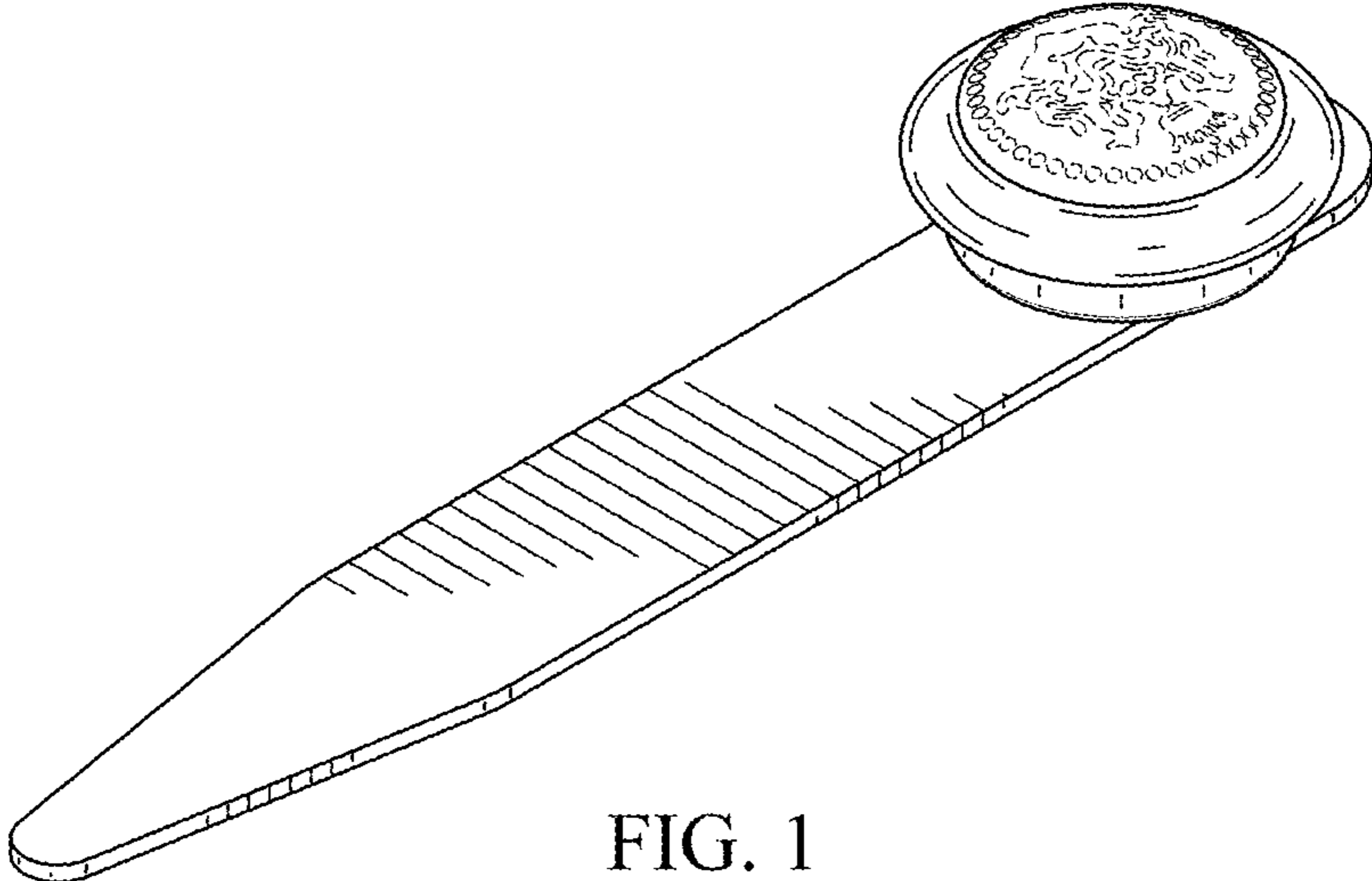


FIG. 1

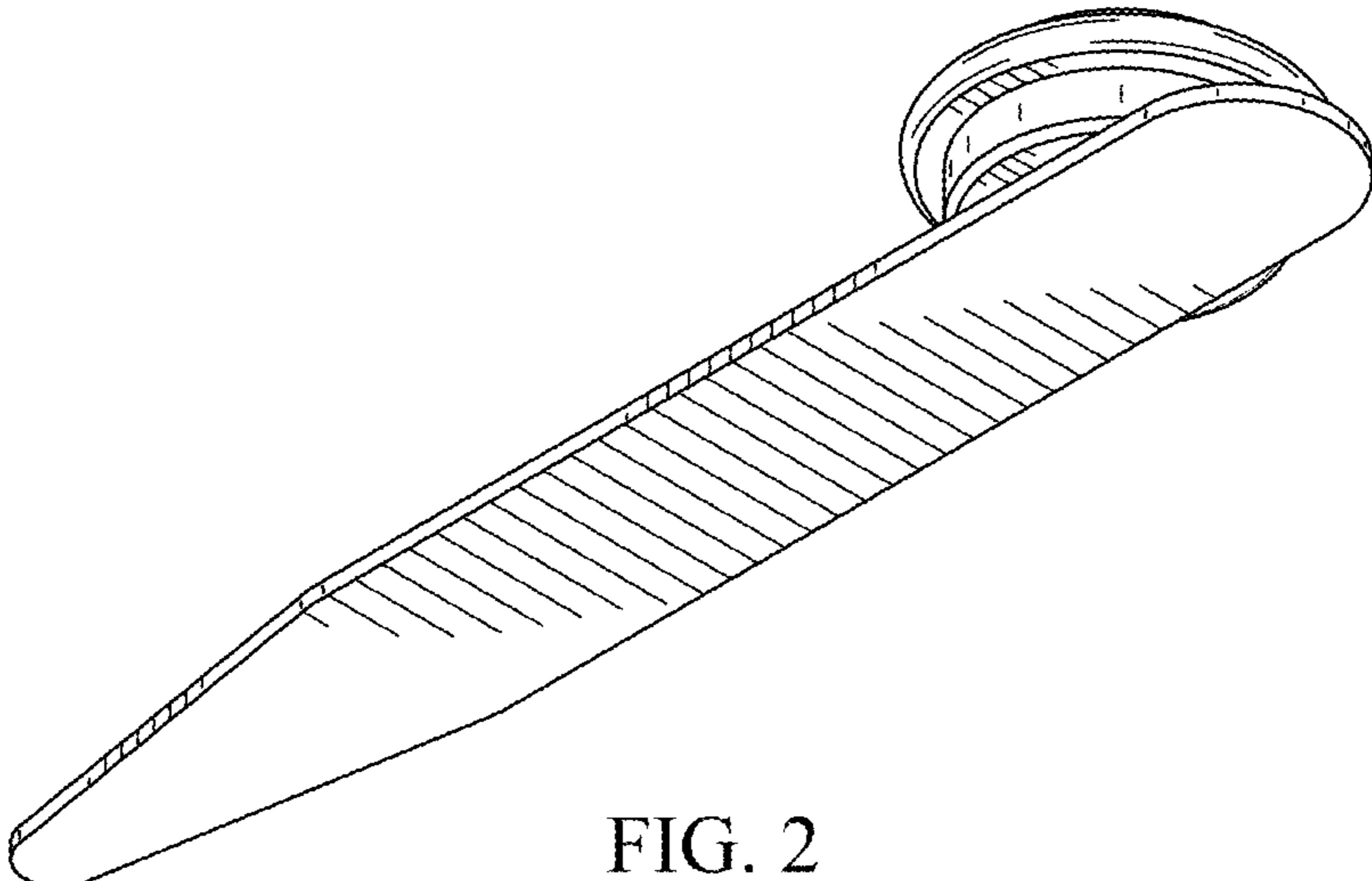


FIG. 2

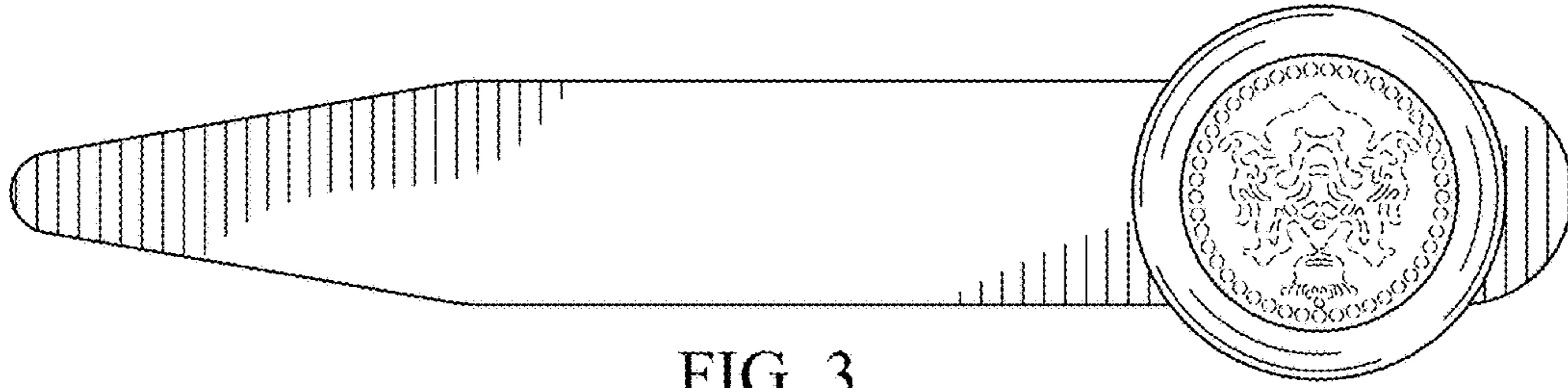


FIG. 3

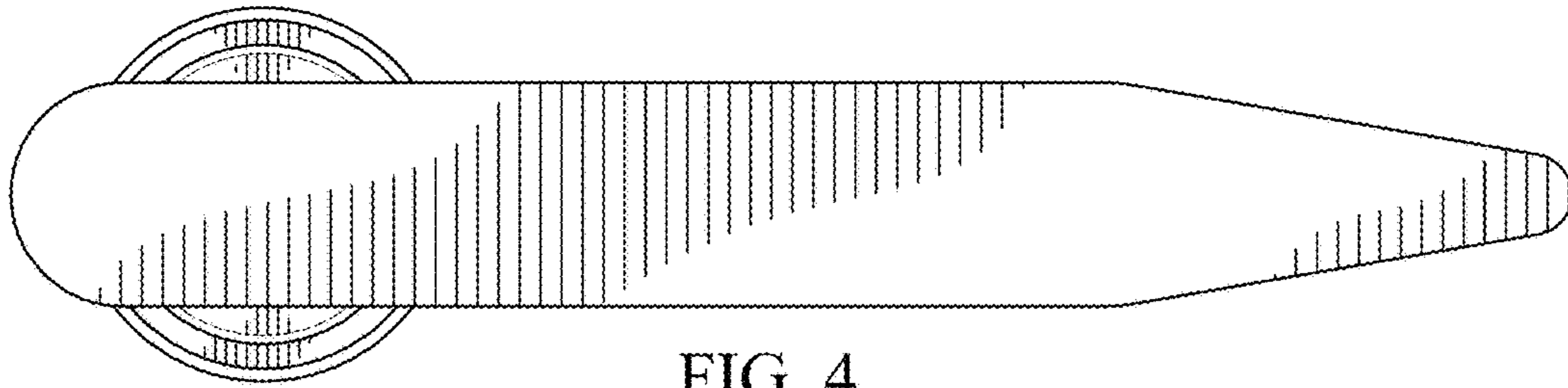


FIG. 4

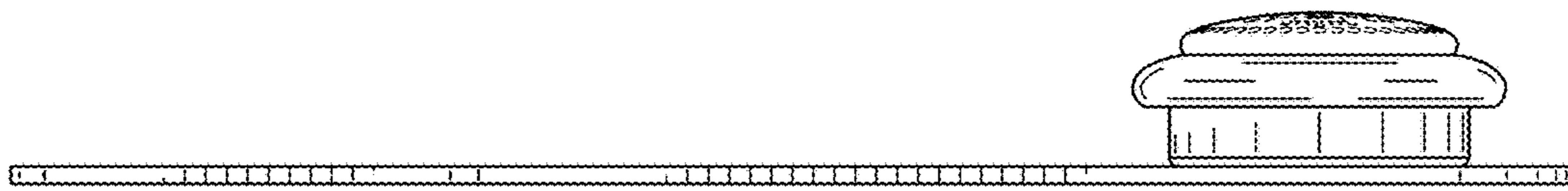


FIG. 5



FIG. 6



FIG. 7

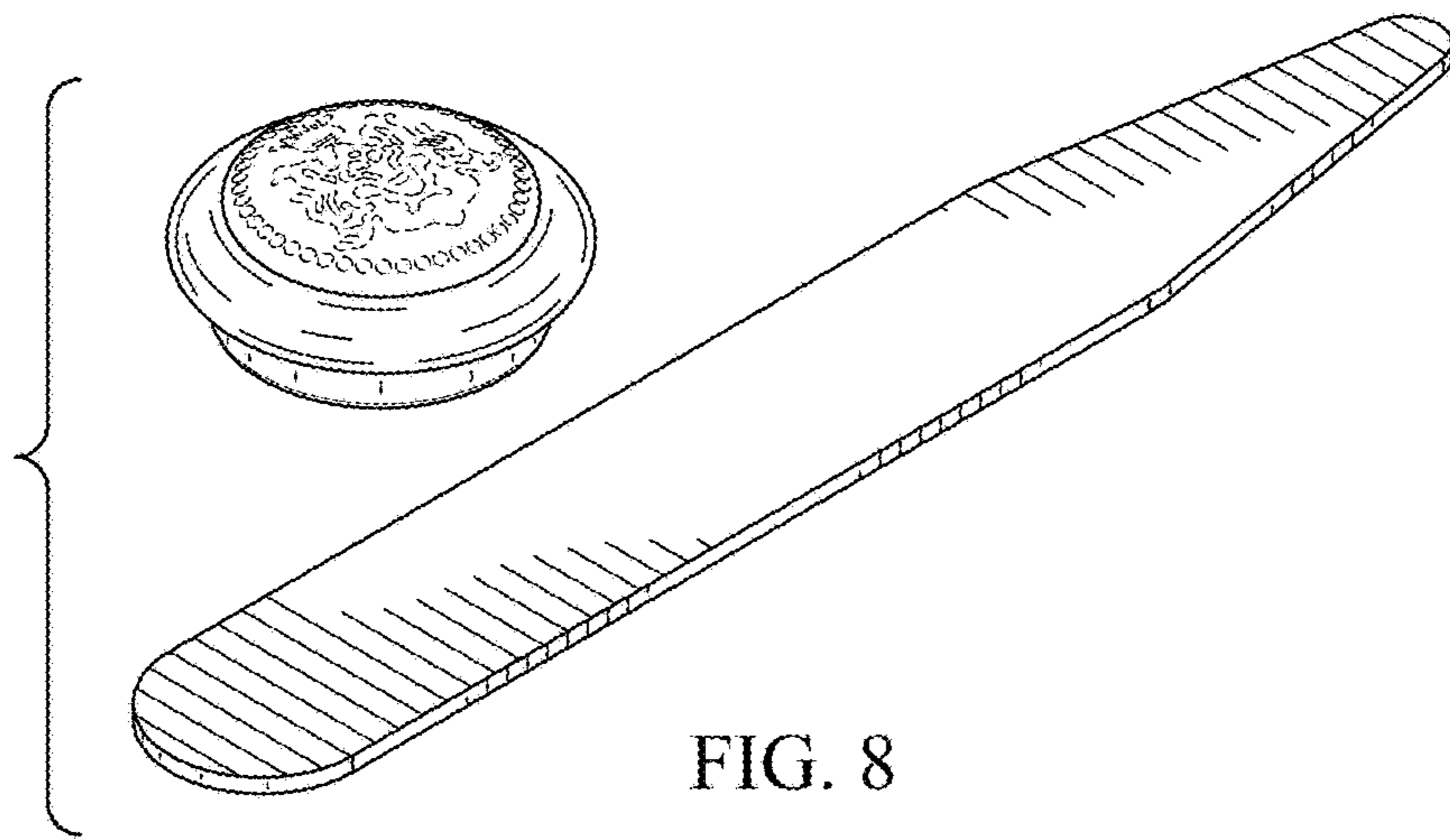


FIG. 8

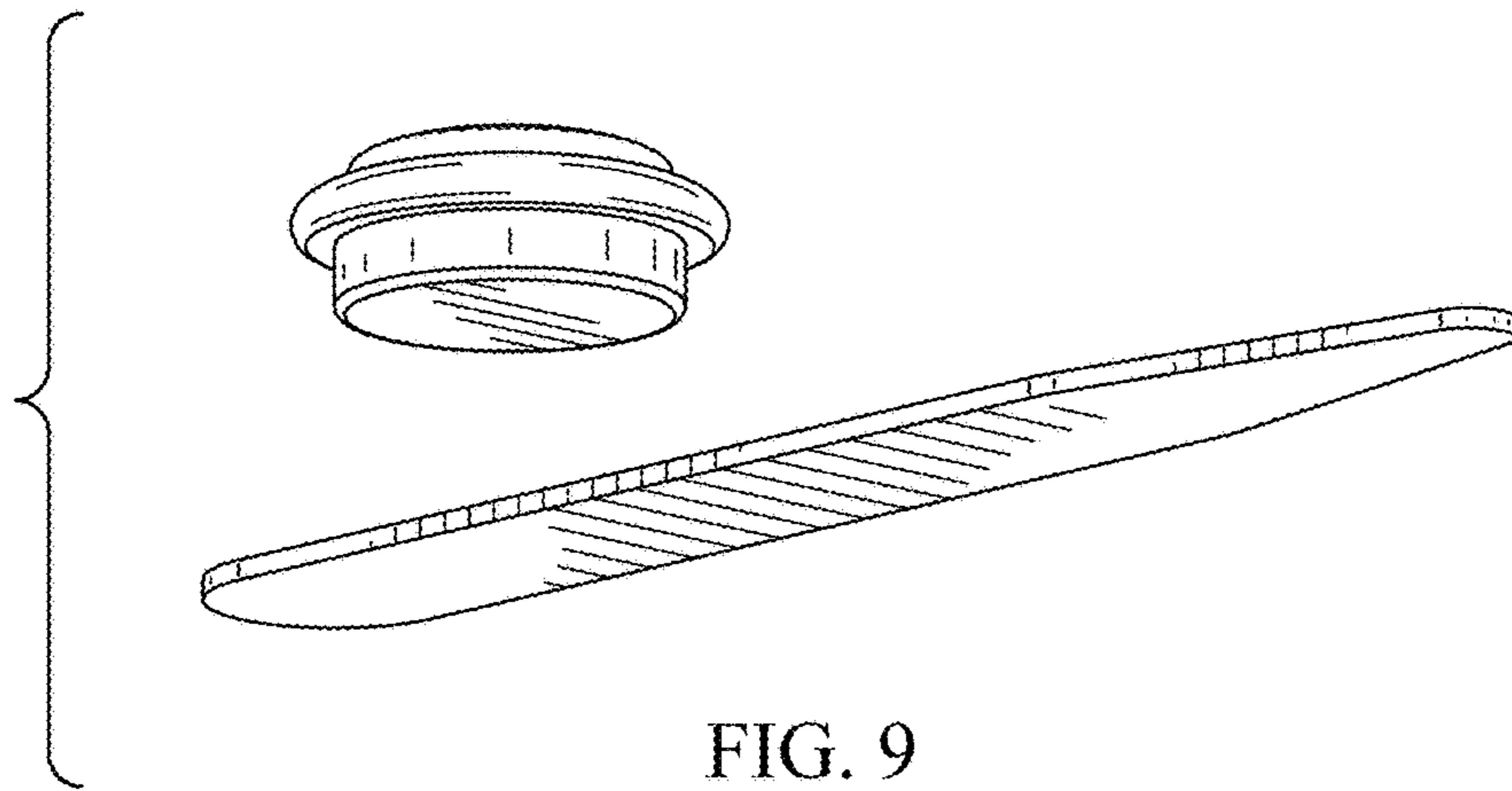


FIG. 9

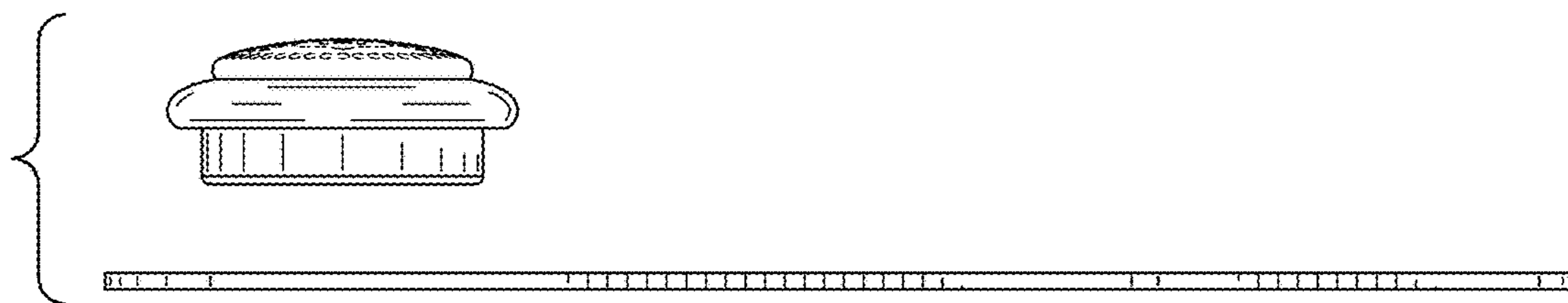


FIG. 10

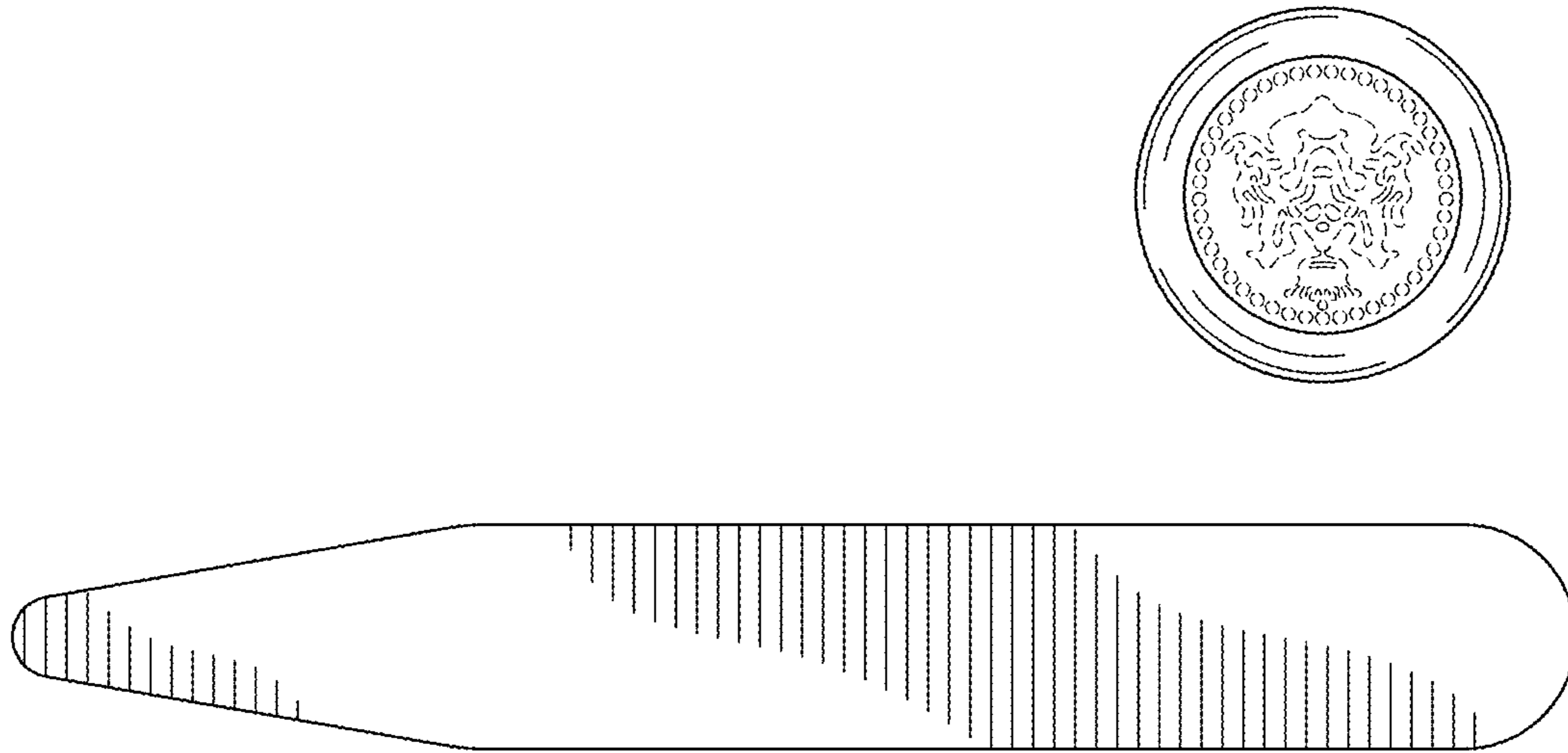


FIG. 11

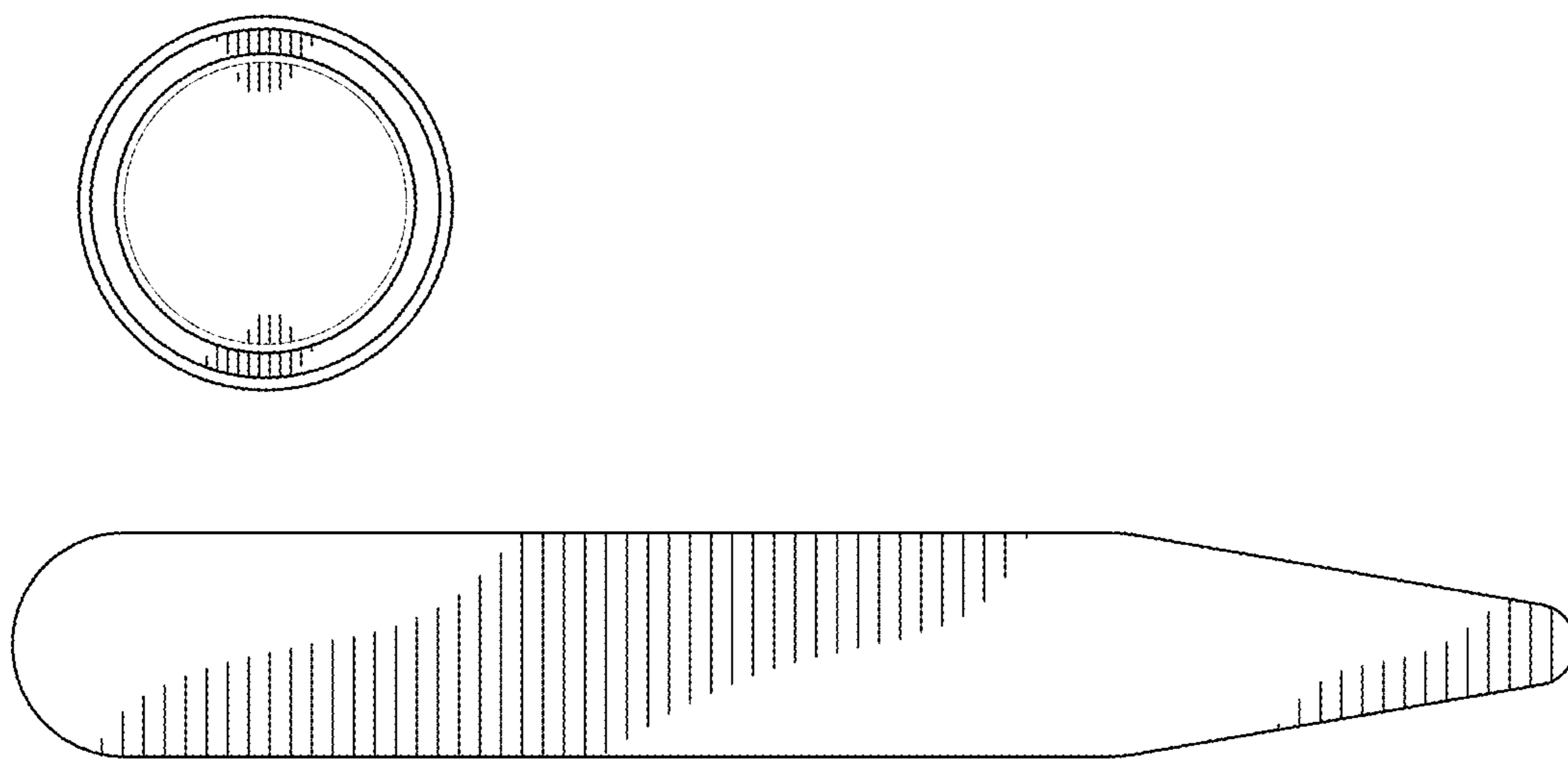


FIG. 12

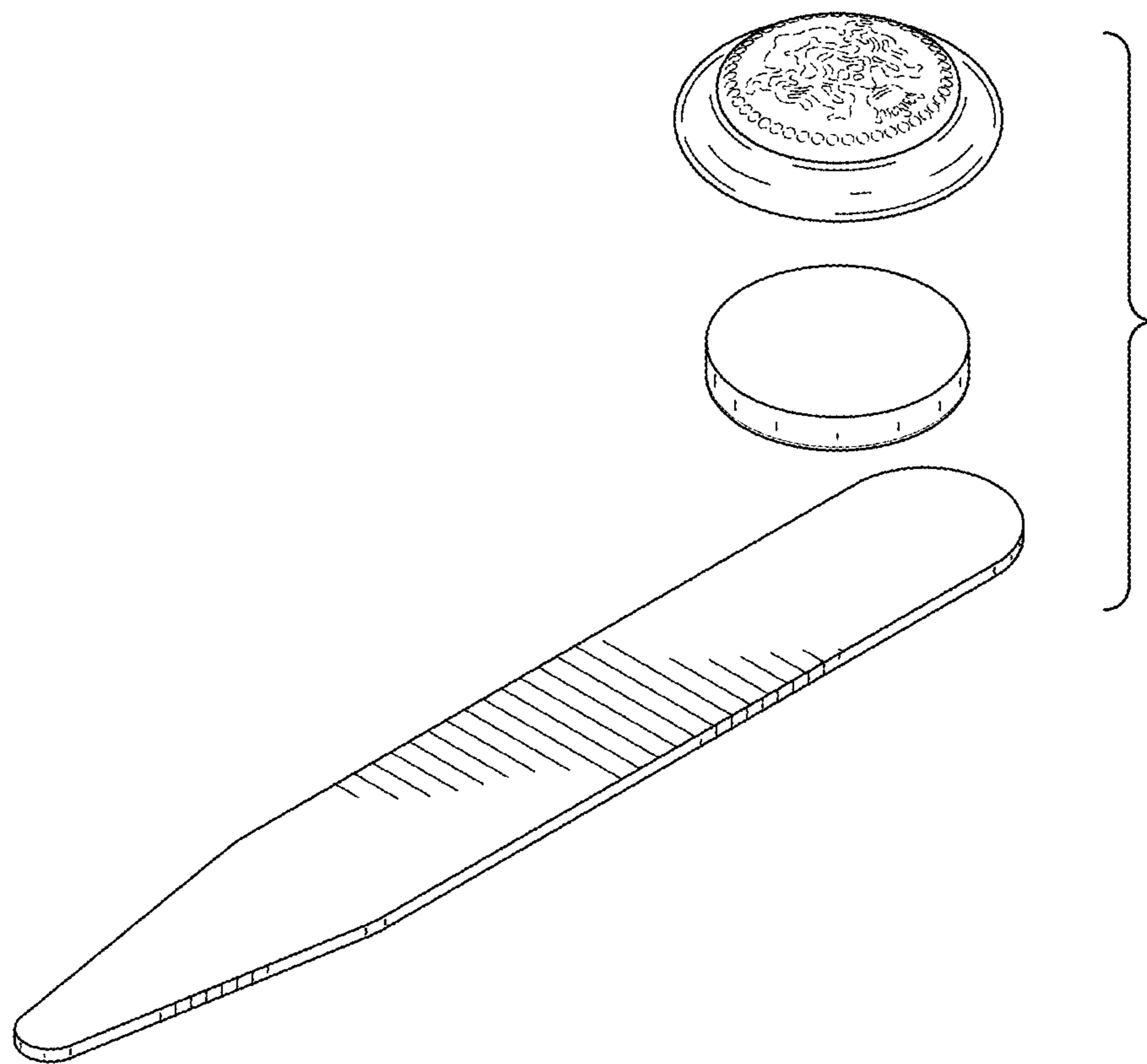


FIG. 13

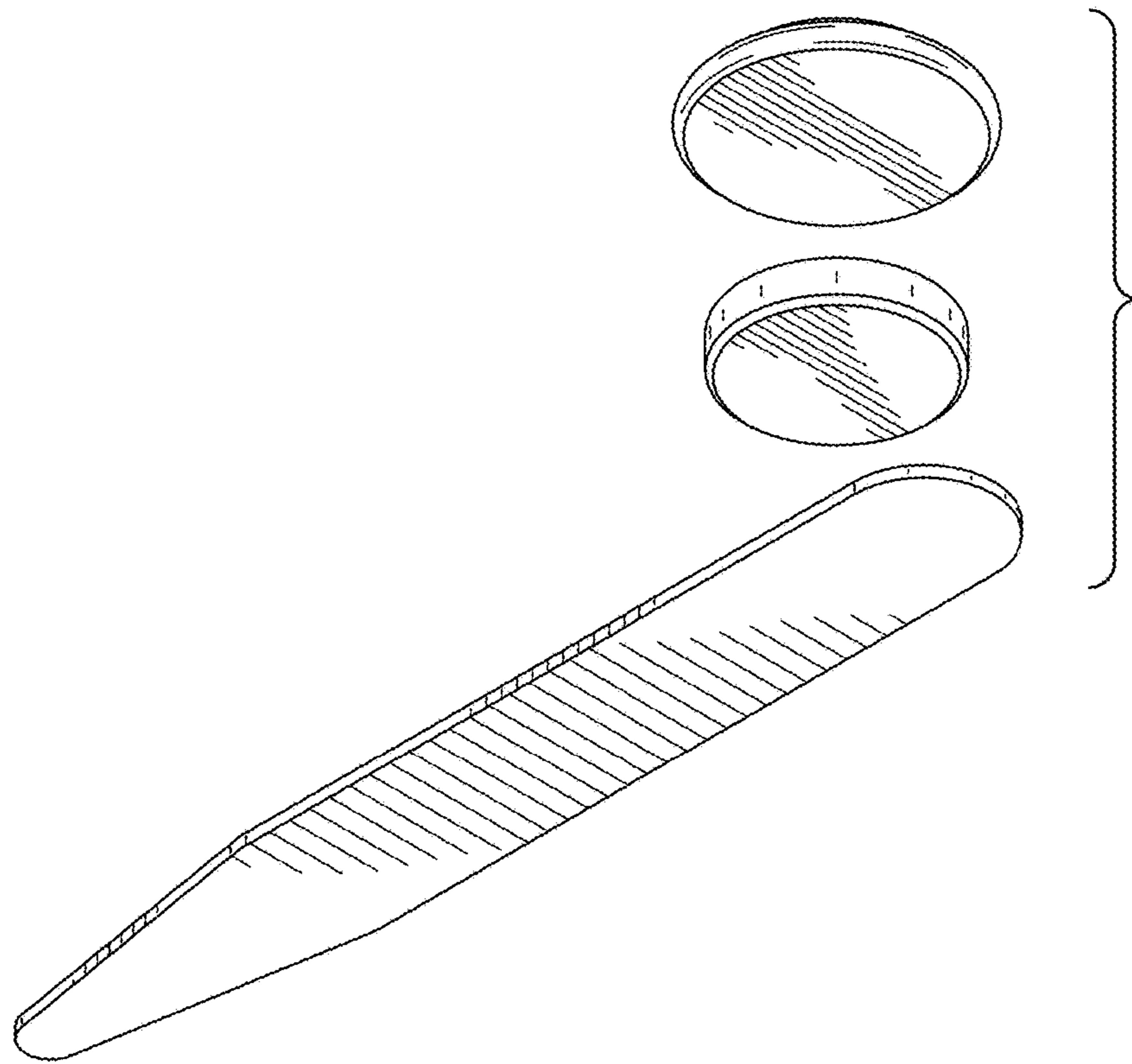


FIG. 14

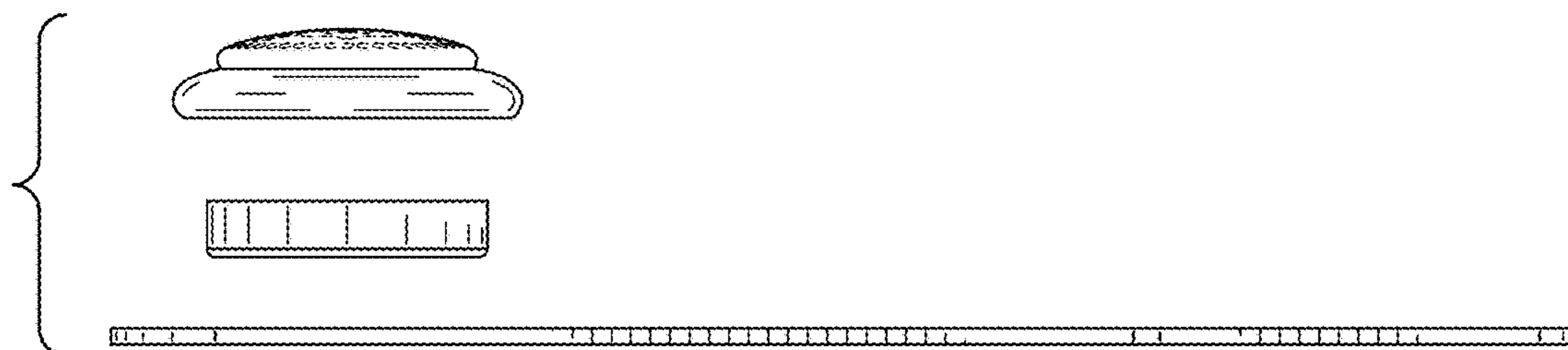


FIG. 15