



US00D782774S

(12) **United States Design Patent**
Mostul

(10) **Patent No.:** **US D782,774 S**

(45) **Date of Patent:** **** Mar. 28, 2017**

- (54) **MAILBOX INDICATOR FLAG**
- (71) Applicant: **Thomas Mostul**, Portland, OR (US)
- (72) Inventor: **Thomas Mostul**, Portland, OR (US)
- (**) Term: **15 Years**
- (21) Appl. No.: **29/558,018**
- (22) Filed: **Mar. 15, 2016**
- (51) **LOC (10) Cl.** **99-00**
- (52) **U.S. Cl.**
USPC **D99/43**
- (58) **Field of Classification Search**
USPC D99/28, 29, 31, 32, 33, 43, 99
CPC A47G 29/122; A47G 29/1225; A47G
29/1226; A47G 29/1228; A47G 29/124;
A47G 29/1245; A47G 29/12; A47G
29/1203; A47G 29/1205; A47G 29/1207;
A47G 29/1209; A47G 29/121; A47G
29/1212; A47G 29/1214
See application file for complete search history.

- D350,007 S * 8/1994 Ferguson D99/43
- 5,366,148 A * 11/1994 Schreckengost A47G 29/121
232/35
- 5,482,206 A 1/1996 Waycasy
- 5,762,264 A * 6/1998 Ginsberg A47G 29/121
232/17
- D424,276 S * 5/2000 Bolden D99/29
- 6,293,461 B1 * 9/2001 Rivers, Sr. A47G 29/121
232/35
- 6,425,521 B1 * 7/2002 Cooper A47G 29/121
232/34
- D478,702 S * 8/2003 Dregney D99/29
- 7,083,080 B2 * 8/2006 McKenzie A47G 29/121
232/35
- 7,229,004 B2 * 6/2007 McKenzie A47G 29/121
232/35
- D556,973 S * 12/2007 Pierce D99/29
- D569,075 S * 5/2008 Ehrbaker D99/43

(Continued)

Primary Examiner — Elizabeth J Oswecki
(74) *Attorney, Agent, or Firm* — Hancock Hughey LLP

(57) **CLAIM**

The ornamental design for a mailbox indicator flag, as shown and described.

(56) **References Cited**

U.S. PATENT DOCUMENTS

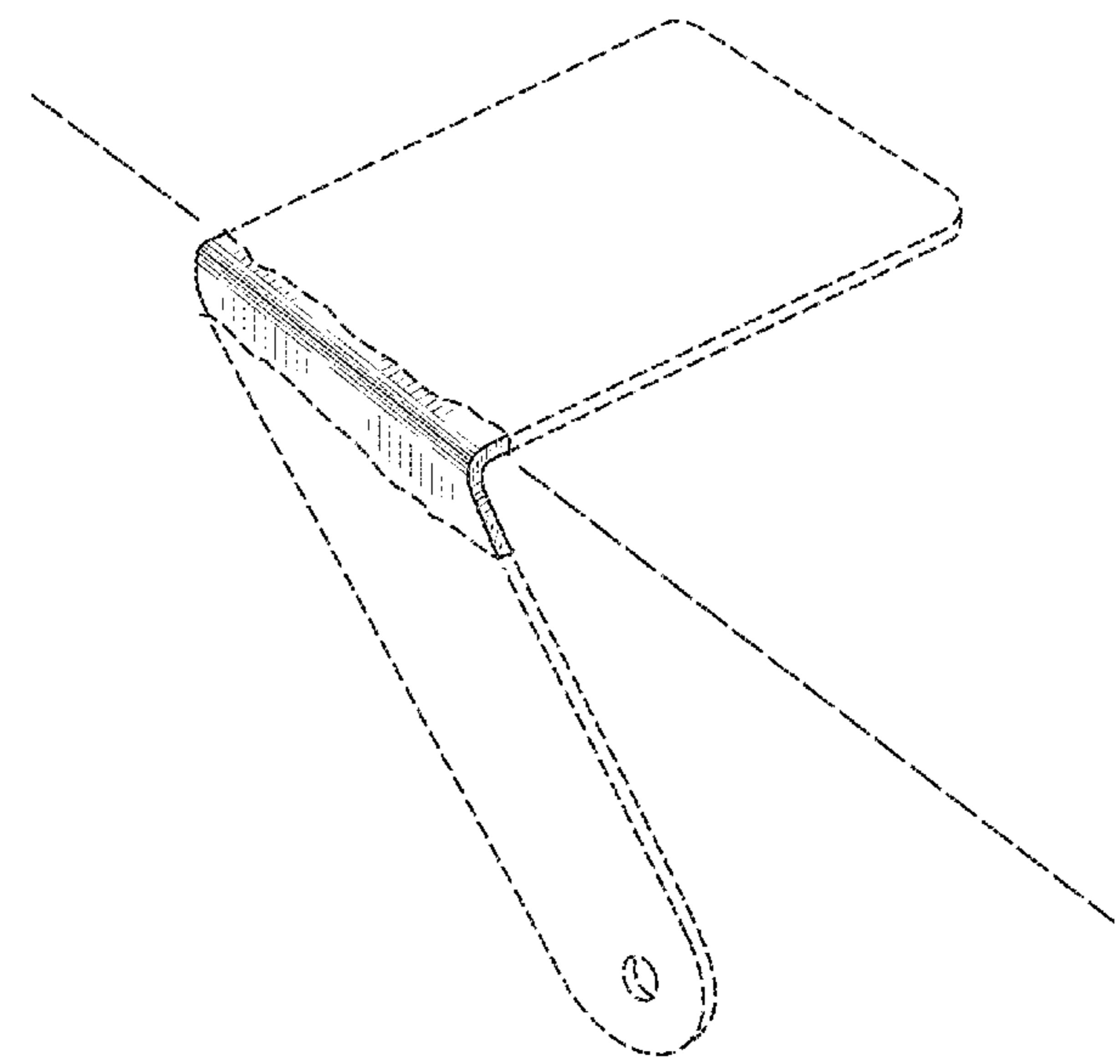
- 2,483,992 A * 10/1949 Young A47G 29/121
232/35
- 2,874,895 A * 2/1959 Opp A47G 29/121
232/35
- 3,589,329 A 6/1971 Schuh
- 3,968,928 A 7/1976 Caldwell
- 4,005,816 A 2/1977 Malik
- 4,491,268 A * 1/1985 Faulkingham A47G 29/121
232/34
- 4,711,391 A * 12/1987 Roge A47G 29/121
232/17
- 4,811,895 A 3/1989 Reinebach
- D314,852 S * 2/1991 Taylor D99/29
- D335,747 S * 5/1993 Dearing D99/29

DESCRIPTION

FIG. 1 is a top, rear perspective view of a mailbox indicator flag showing my new design;
 FIG. 2 a top plan view thereof;
 FIG. 3 is a bottom plan view thereof;
 FIG. 4 is a left side elevation view thereof;
 FIG. 5 is a right side elevation view thereof;
 FIG. 6 is a front elevation view thereof; and,
 FIG. 7 is a rear elevation view thereof.

The broken lines shown in the drawings represent portions of the mailbox indicator flag that form no part of the claimed design.

1 Claim, 2 Drawing Sheets



(56)

References Cited

U.S. PATENT DOCUMENTS

7,552,858 B1 * 6/2009 Owens A47G 29/121
232/35
D595,925 S * 7/2009 Bowers D99/43
7,559,456 B1 * 7/2009 McKenzie A47G 29/121
232/35
D653,015 S * 1/2012 Tobias D99/43
2006/0102710 A1 * 5/2006 Griffeth A47G 29/121
232/34

* cited by examiner

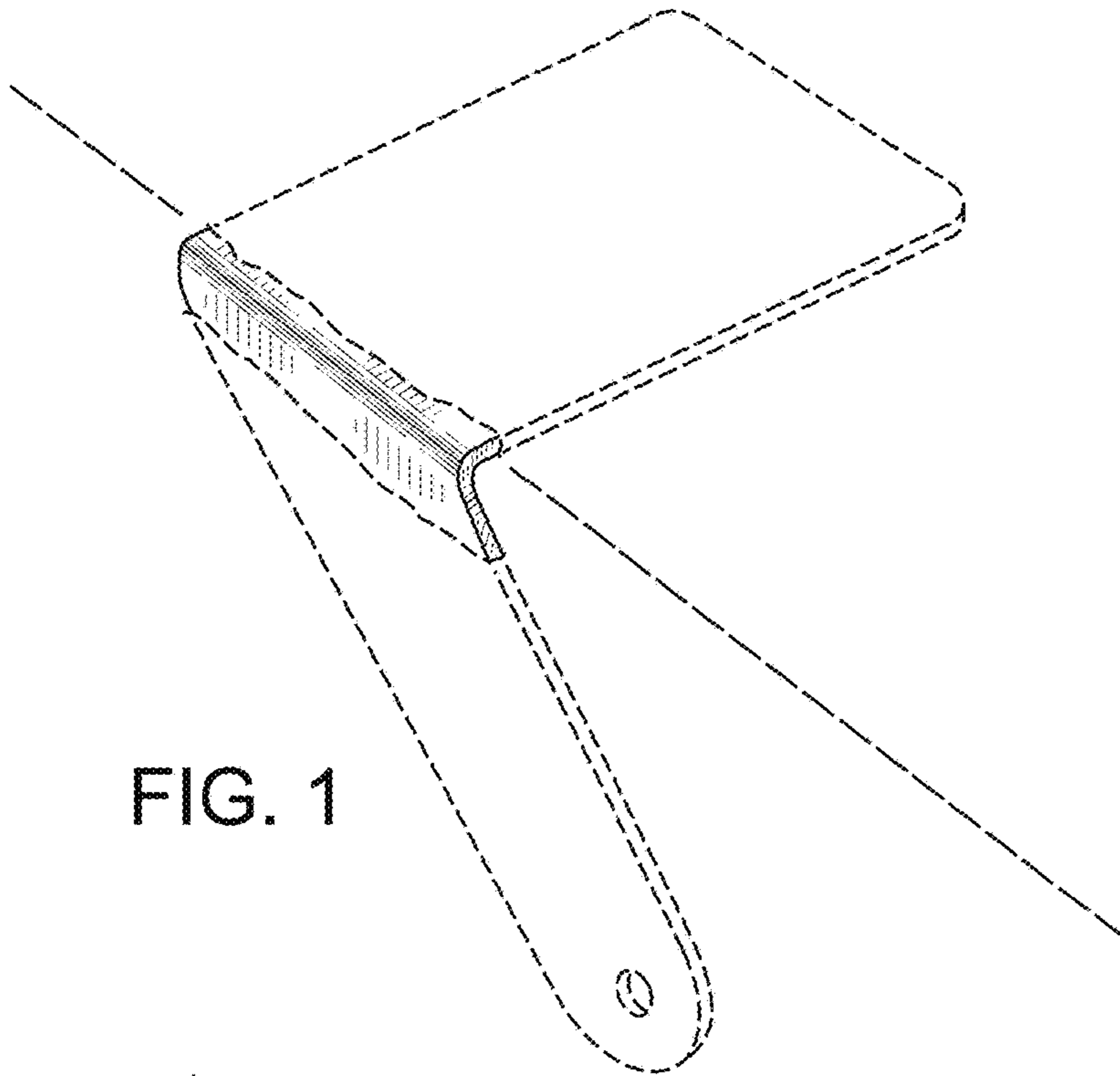


FIG. 1

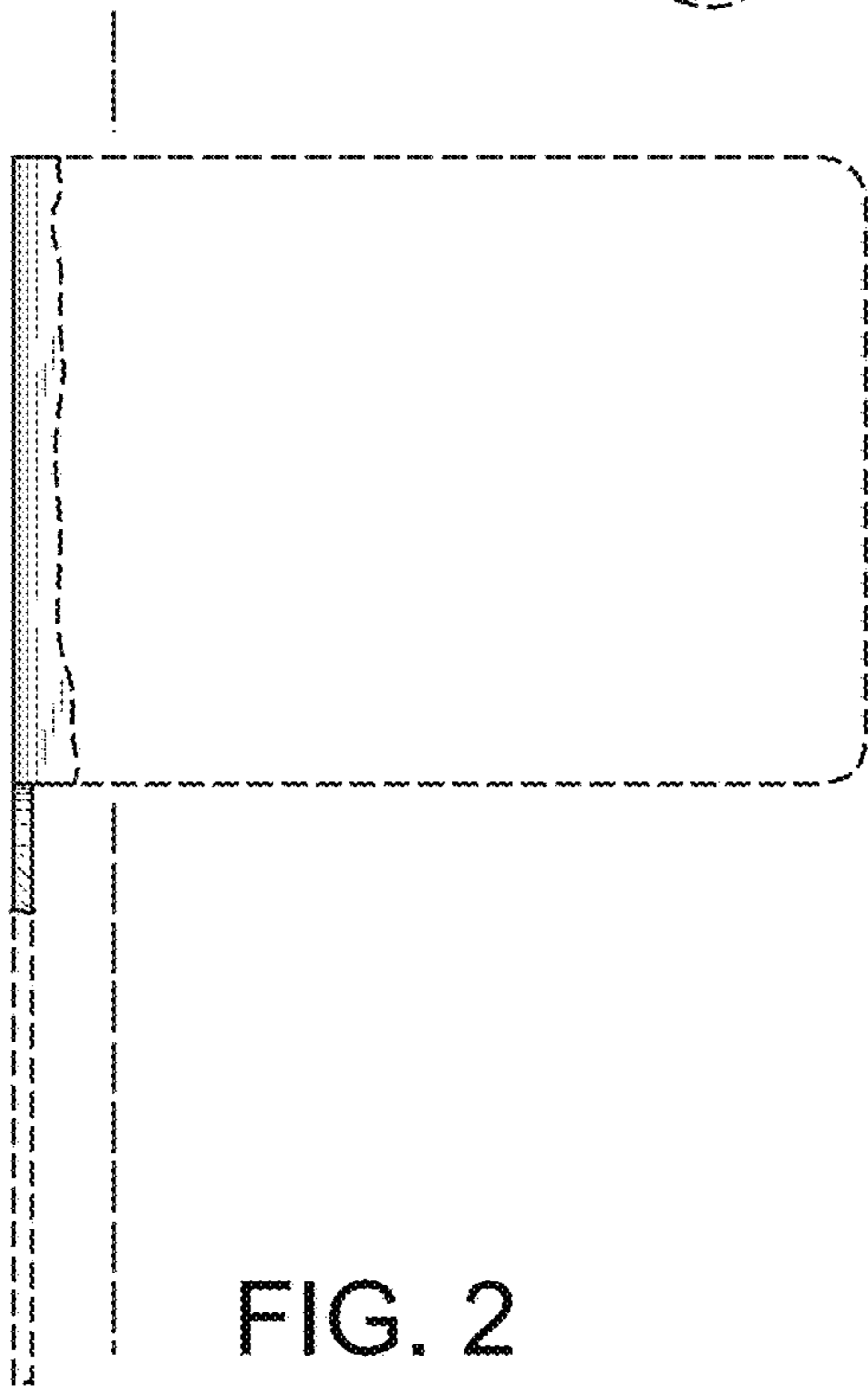


FIG. 2

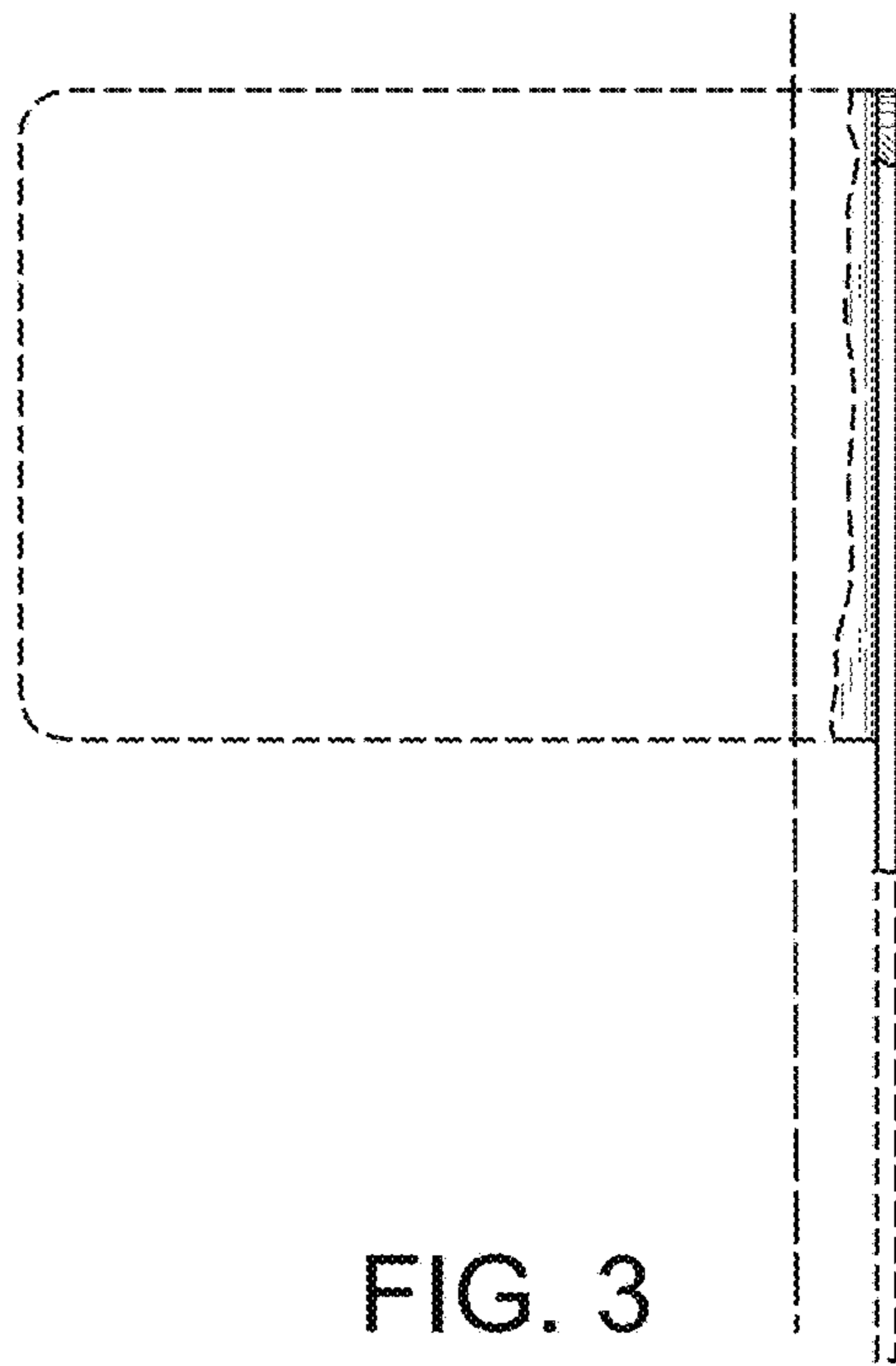


FIG. 3

