



US00D782773S

(12) **United States Design Patent** (10) **Patent No.:** **US D782,773 S**  
**Sears et al.** (45) **Date of Patent:** **\*\* Mar. 28, 2017**

(54) **NIGHT DEPOSITORY CONTROL PANEL**

D268,062 S \* 2/1983 Chance ..... D99/28  
D269,823 S \* 7/1983 Barthel ..... 902/30  
D293,150 S \* 12/1987 Prinzhorn ..... 902/30

(71) Applicant: **Nautilus Hyosung America, Inc.**,  
Irving, TX (US)

(Continued)

(72) Inventors: **Michael Leigh Sears**, Lewisville, TX  
(US); **Joseph Militello**, Dayton, OH  
(US)

FOREIGN PATENT DOCUMENTS

CN 3319677 \* 9/2003

(73) Assignee: **NAUTILUS HYOSUNG AMERICA, INC.**, Irving, TX (US)

OTHER PUBLICATIONS

Banking Products: Depositories—Hamilton Safe, wayback date  
Dec. 12, 2015, [site visited May 11, 2016 4:35:00 PM], [http://web.archive.org/web/20150212223306/http://www.hamiltonsafe.com/index.php?/site/banking/depositories.\\*](http://web.archive.org/web/20150212223306/http://www.hamiltonsafe.com/index.php?/site/banking/depositories.*)

(\*\*) Term: **14 Years**

(Continued)

(21) Appl. No.: **29/515,915**

(22) Filed: **Jan. 28, 2015**

*Primary Examiner* — John Windmuller

(51) **LOC (10) Cl.** ..... **99-00**

*Assistant Examiner* — John R Yeh

(52) **U.S. Cl.**  
USPC ..... **D99/43**

(74) *Attorney, Agent, or Firm* — Walker & Jocke

(58) **Field of Classification Search**  
USPC ..... D99/28, 34–36, 43, 99; D21/519;  
D12/423; D3/203.1, 294–297  
CPC E05G 1/005; E05G 1/00; E05G 1/024; F41H  
5/26  
See application file for complete search history.

(57) **CLAIM**

The ornamental design for a night depository control panel,  
as shown and described.

**DESCRIPTION**

(56) **References Cited**

U.S. PATENT DOCUMENTS

57,890 A \* 9/1866 Gilson ..... C10L 5/36  
44/491  
2,227,341 A \* 12/1940 Greenwood ..... B65D 5/0227  
229/108.1  
3,199,765 A \* 8/1965 Locke ..... B65D 5/02  
206/395  
3,482,760 A \* 12/1969 Boehm ..... B65D 5/0254  
229/115  
D220,092 S \* 3/1971 Francis ..... D25/35  
D263,344 S \* 3/1982 McCarthy ..... 902/32  
D264,264 S \* 5/1982 Hauser ..... 902/30

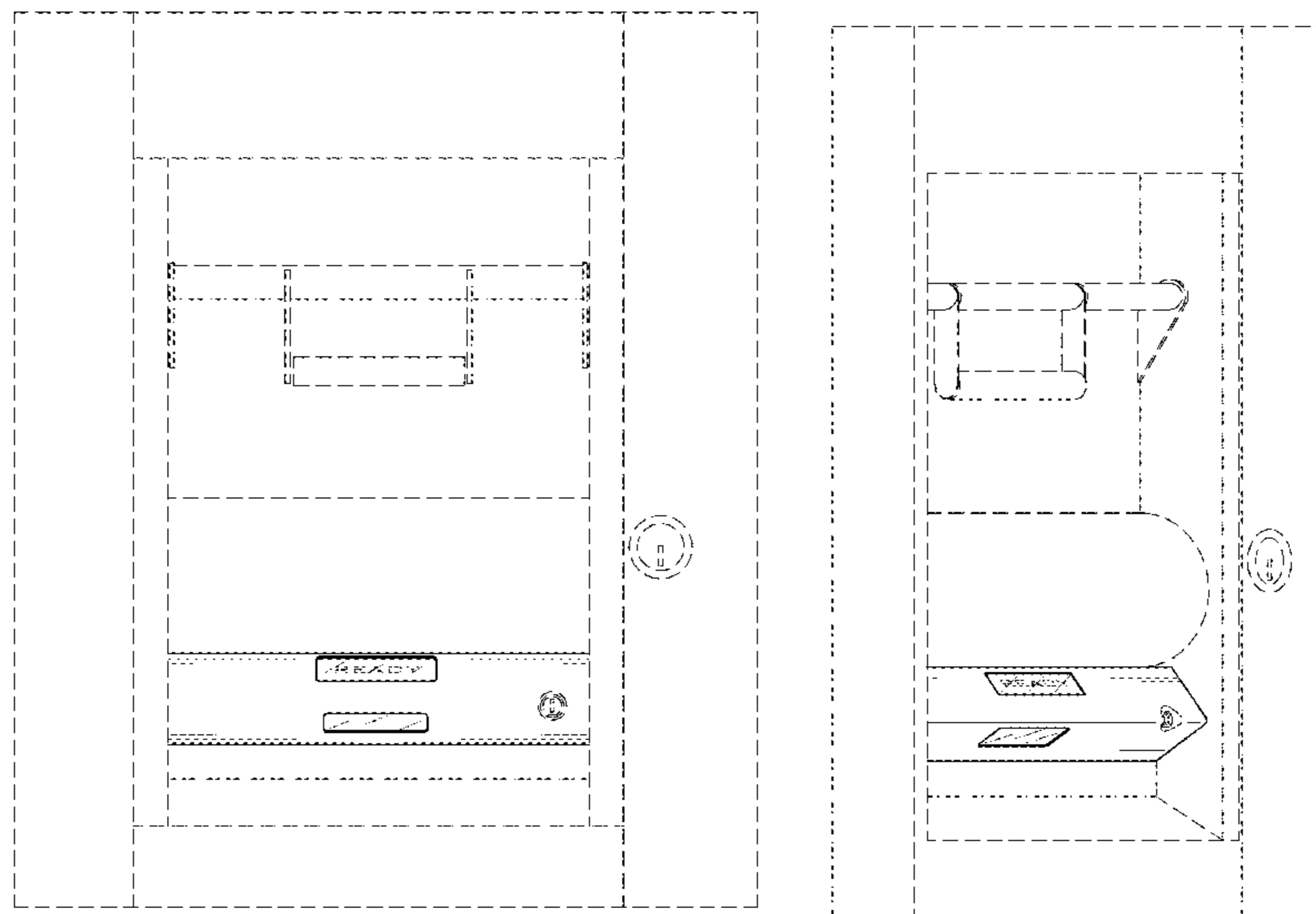
FIG. 1 is a front view showing our new design for a night  
depository control panel.

FIG. 2 is a front, left side perspective view thereof; and,

FIG. 3 is a front, right side perspective view thereof.

The broken line disclosure in several views of the surrounding depository environment and the output from the display and other features of the night depository control panel is provided for illustrative purposes only and forms no part of the claimed design. The left, right and back sides of the night depository control panel are not visible during normal use, and only the design shown is claimed. The left, right and back sides of the night depository control panel are not ornamental and are not claimed.

**1 Claim, 3 Drawing Sheets**



(56)

**References Cited**

U.S. PATENT DOCUMENTS

D293,152 S \* 12/1987 Prinzhorn ..... D99/28  
5,042,657 A \* 8/1991 Dunn ..... B65D 5/029  
206/326  
5,113,765 A \* 5/1992 Carey ..... F42B 4/26  
102/336  
D379,026 S \* 4/1997 Bauer ..... D20/10  
5,899,210 A \* 5/1999 Letherby ..... A45D 29/04  
132/73  
5,941,589 A \* 8/1999 Perlman ..... B60R 11/00  
296/37.6  
6,099,203 A \* 8/2000 Landes ..... E01F 9/0165  
116/63 R  
D439,838 S \* 4/2001 Sagel ..... D9/416  
D529,815 S \* 10/2006 Frasier ..... D9/431  
D586,454 S \* 2/2009 Nishio ..... D23/393  
D685,155 S \* 6/2013 Budde ..... D99/28  
D699,914 S \* 2/2014 Bates ..... D99/5  
D744,998 S \* 12/2015 Ahn ..... D14/341  
2005/0092218 A1 \* 5/2005 Saucier ..... E04B 1/34363  
109/1 S

OTHER PUBLICATIONS

Fortis Tool Resistant TL-15 Burglary Night Depository Safe, web-  
site copyright 2016, [http://meci.com/odd-unusual/fortis-tool-resis-  
tant-tl-15-burglary-night-depository-safe-c310036.html](http://meci.com/odd-unusual/fortis-tool-resis-<br/>tant-tl-15-burglary-night-depository-safe-c310036.html), [site vis-  
ited May 11, 2016 4:37:16 PM].\*

\* cited by examiner

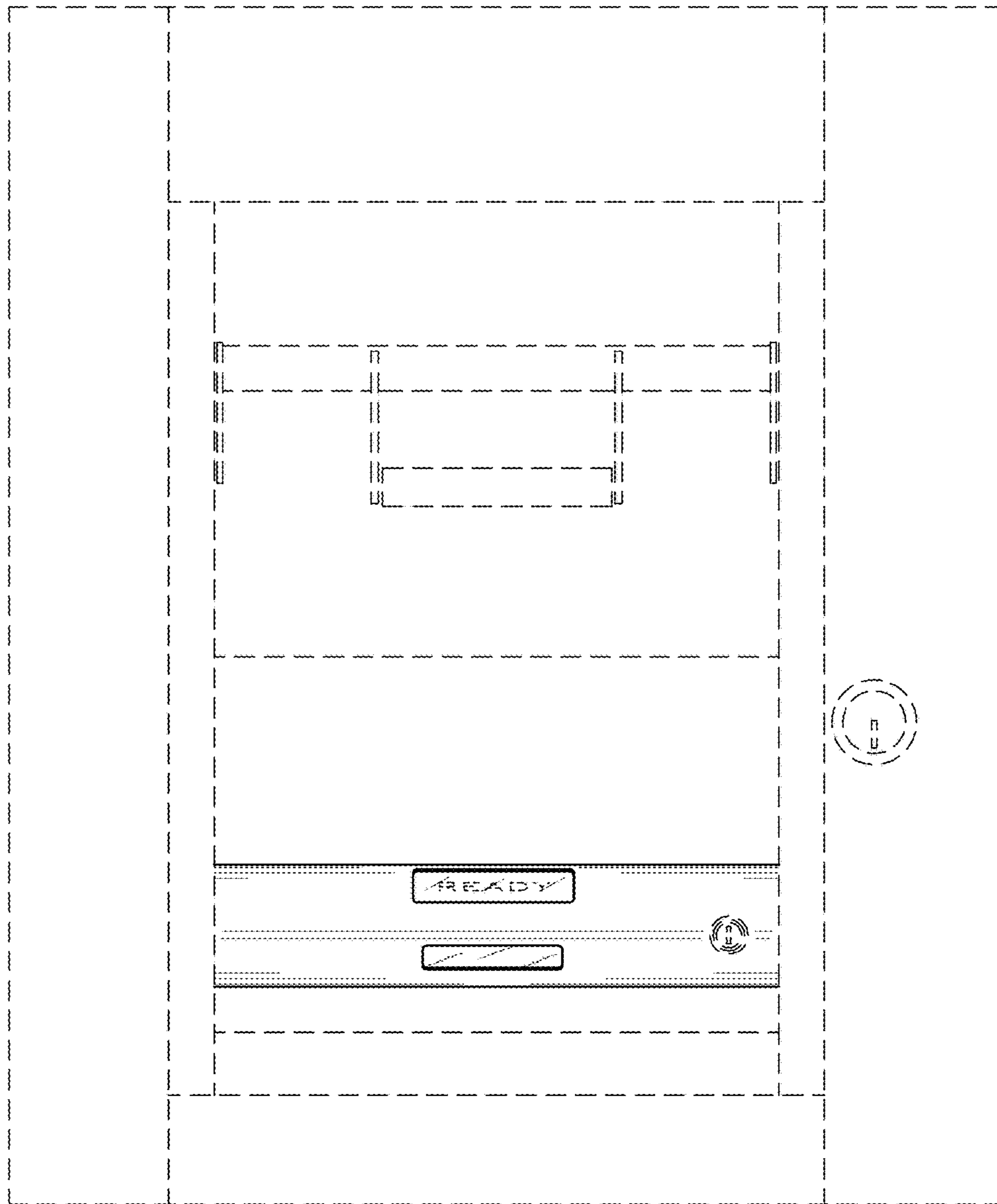


FIG. 1

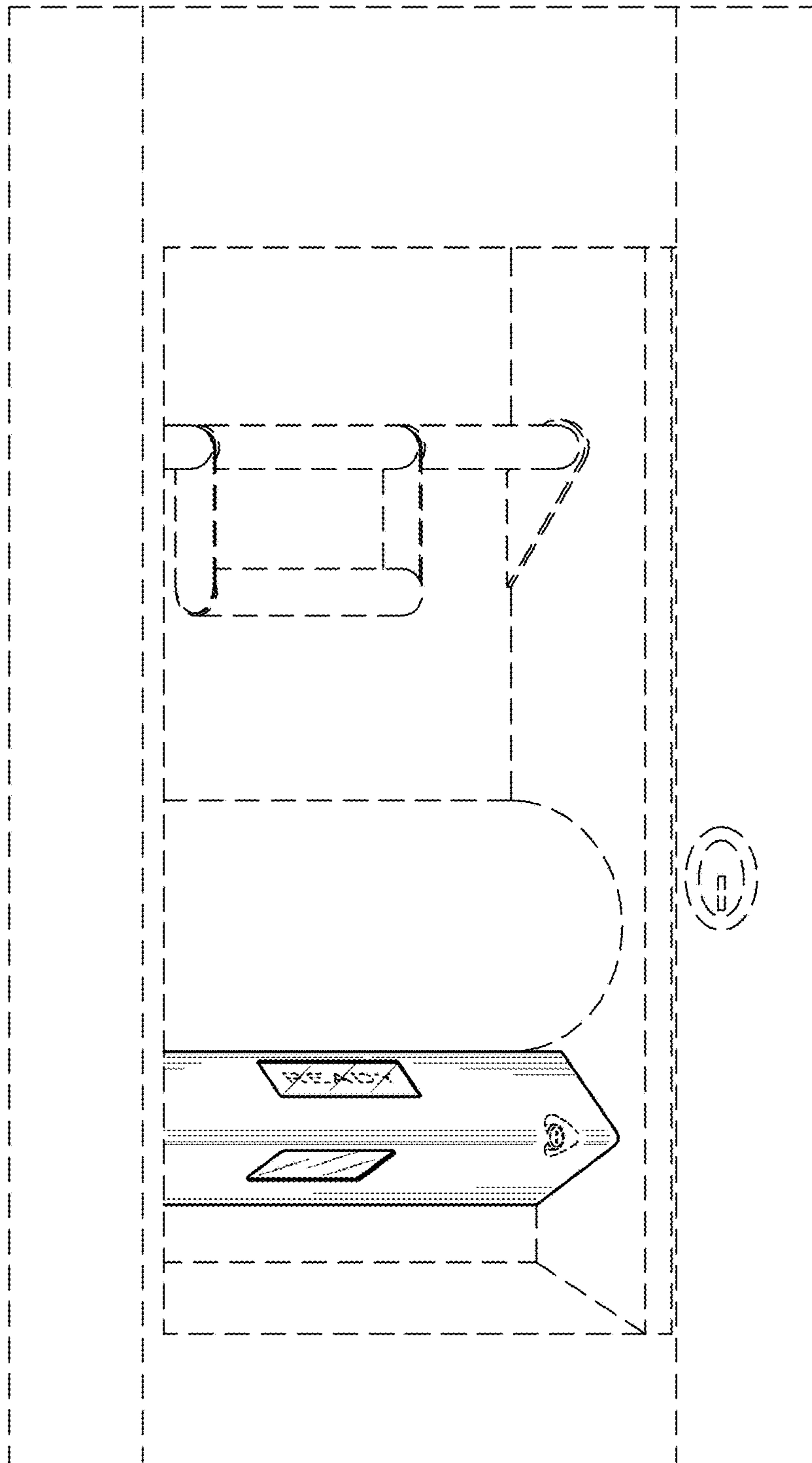


FIG. 2

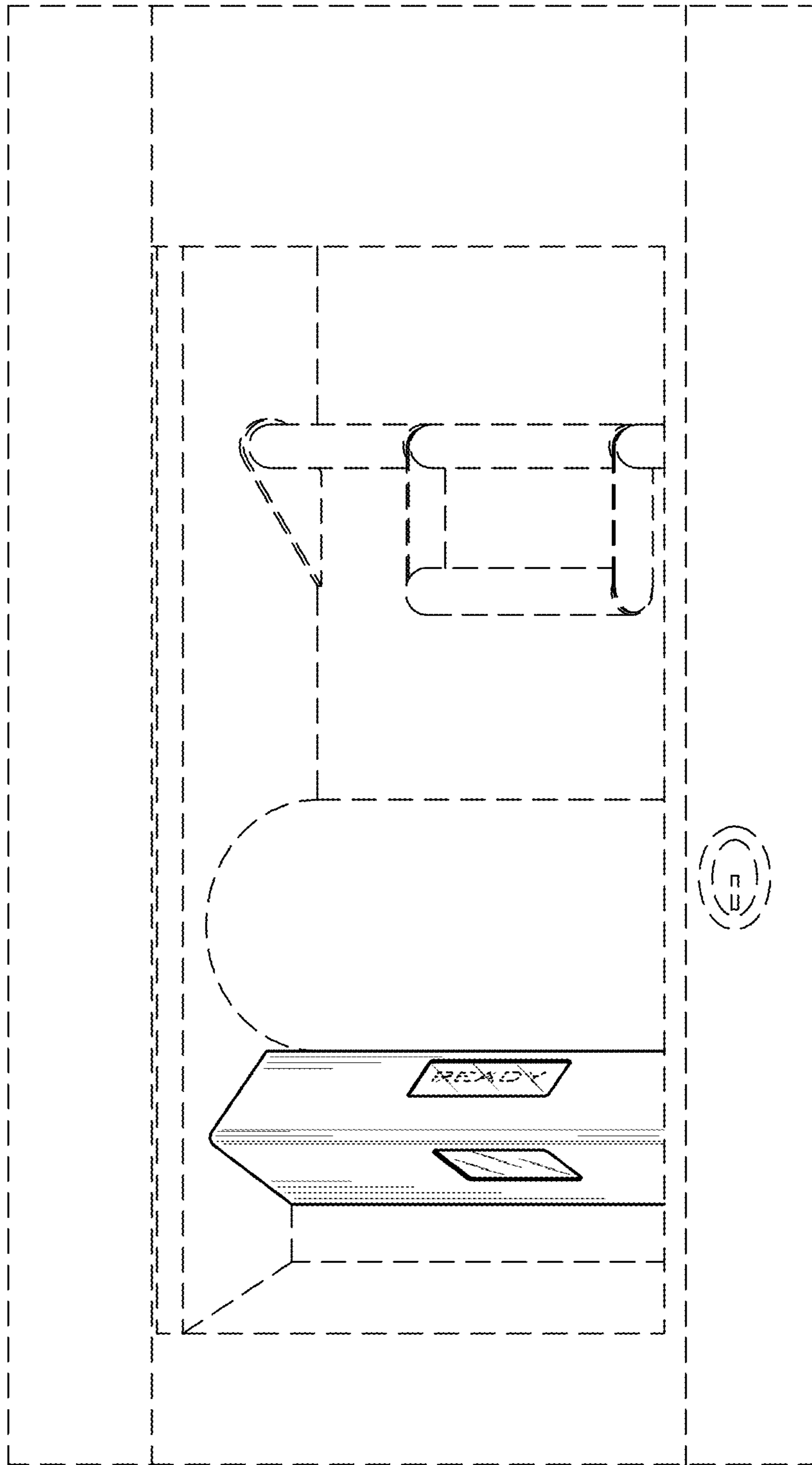


FIG. 3