



US00D782770S

(12) **United States Design Patent**
Kang

(10) **Patent No.:** **US D782,770 S**

(45) **Date of Patent:** **** Mar. 28, 2017**

- (54) **FORKLIFT**
- (71) Applicant: **Doosan Corporation**, Seoul (KR)
- (72) Inventor: **Sung Kyu Kang**, Gyeonggi-do (KR)
- (73) Assignee: **Doosan Corporation**, Seoul (KR)
- (**) Term: **15 Years**
- (21) Appl. No.: **29/531,163**
- (22) Filed: **Jun. 23, 2015**

D471,339 S *	3/2003	Mori	D34/34
D538,004 S *	3/2007	Kouyama	D34/34
D557,474 S *	12/2007	Kouyama	D34/34
D612,563 S *	3/2010	Stark	D34/34
D634,504 S *	3/2011	Radaelli	D34/34
D657,932 S *	4/2012	Kazaoka	D34/34
D663,502 S *	7/2012	Lin	D34/34
D663,503 S *	7/2012	Lin	D34/34
D694,984 S *	12/2013	Kawakami	D34/34
D725,863 S *	3/2015	Kazaoka	D34/34
D731,736 S *	6/2015	Kurihara	D34/34
D731,737 S *	6/2015	Seimiya	D34/34
D741,565 S *	10/2015	Schweig	D34/34
D756,058 S *	5/2016	Kang	D34/34
D756,059 S *	5/2016	Kang	D34/34

(30) **Foreign Application Priority Data**

Dec. 23, 2014 (KR) 30-2014-0062841

(51) **LOC (10) Cl.** **12-05**

(52) **U.S. Cl.**
USPC **D34/34**

(58) **Field of Classification Search**
USPC D34/34; 187/237, 238, 222; 414/631,
414/592

CPC B66F 9/06; B66F 9/24; B66F 9/12; B66F
9/0755; B66F 9/07572; B66F 17/003

See application file for complete search history.

(56) **References Cited**

U.S. PATENT DOCUMENTS

D393,134 S *	3/1998	Mariano	D34/28
D395,115 S *	6/1998	Russey	D34/34
D427,409 S *	6/2000	Sato	D34/34
D468,885 S *	1/2003	Salin	D34/34

* cited by examiner

Primary Examiner — Cynthia Ramirez

(74) *Attorney, Agent, or Firm* — IP & T Group LLP

(57) **CLAIM**

The ornamental design for a forklift, as shown and described.

DESCRIPTION

FIG. 1 is a perspective view of a forklift showing my new design;

FIG. 2 is a front view thereof;

FIG. 3 is a rear view thereof;

FIG. 4 is a left side view thereof;

FIG. 5 is a right side view thereof; and,

FIG. 6 is a top view thereof.

1 Claim, 6 Drawing Sheets

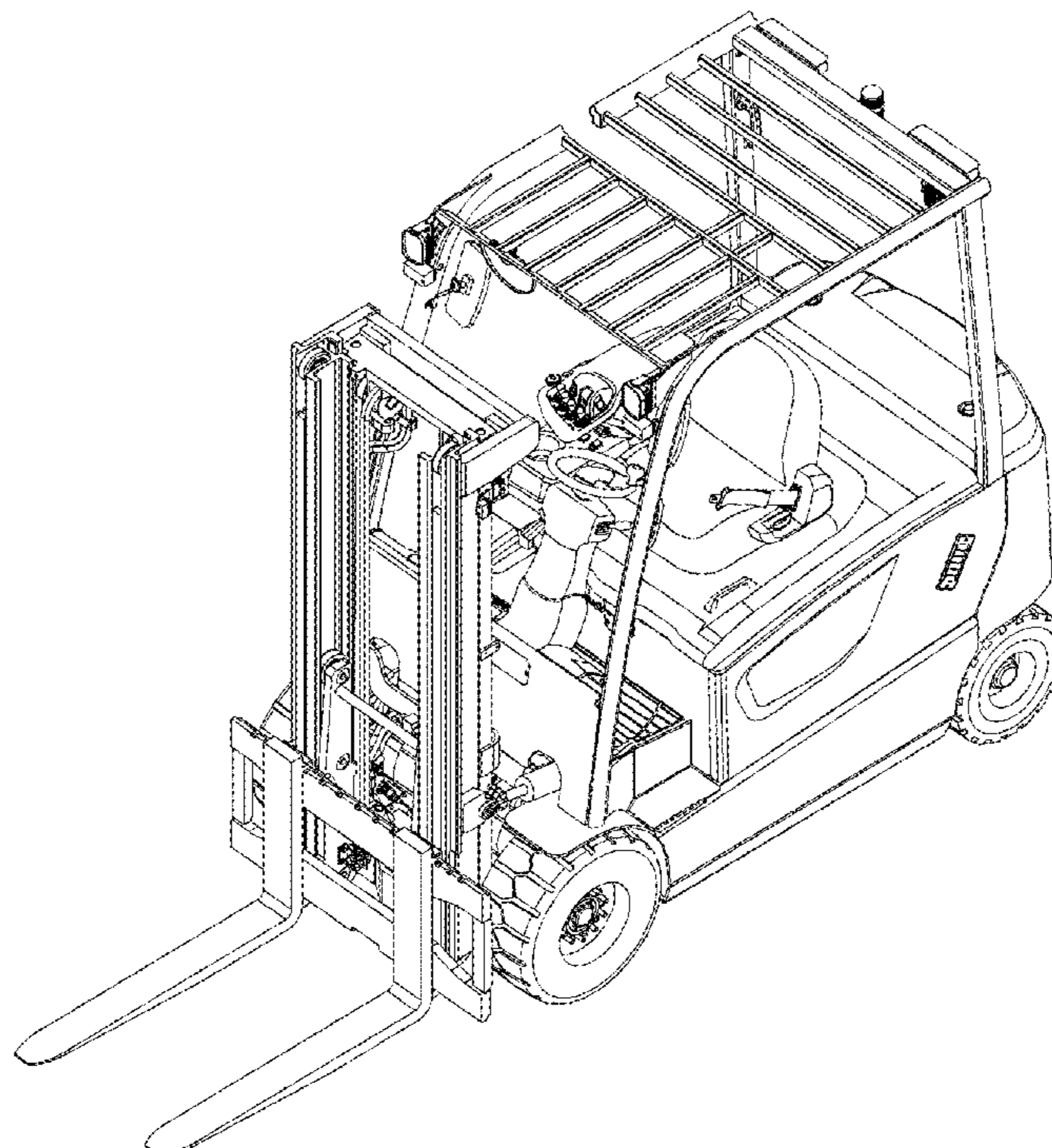


FIG. 1

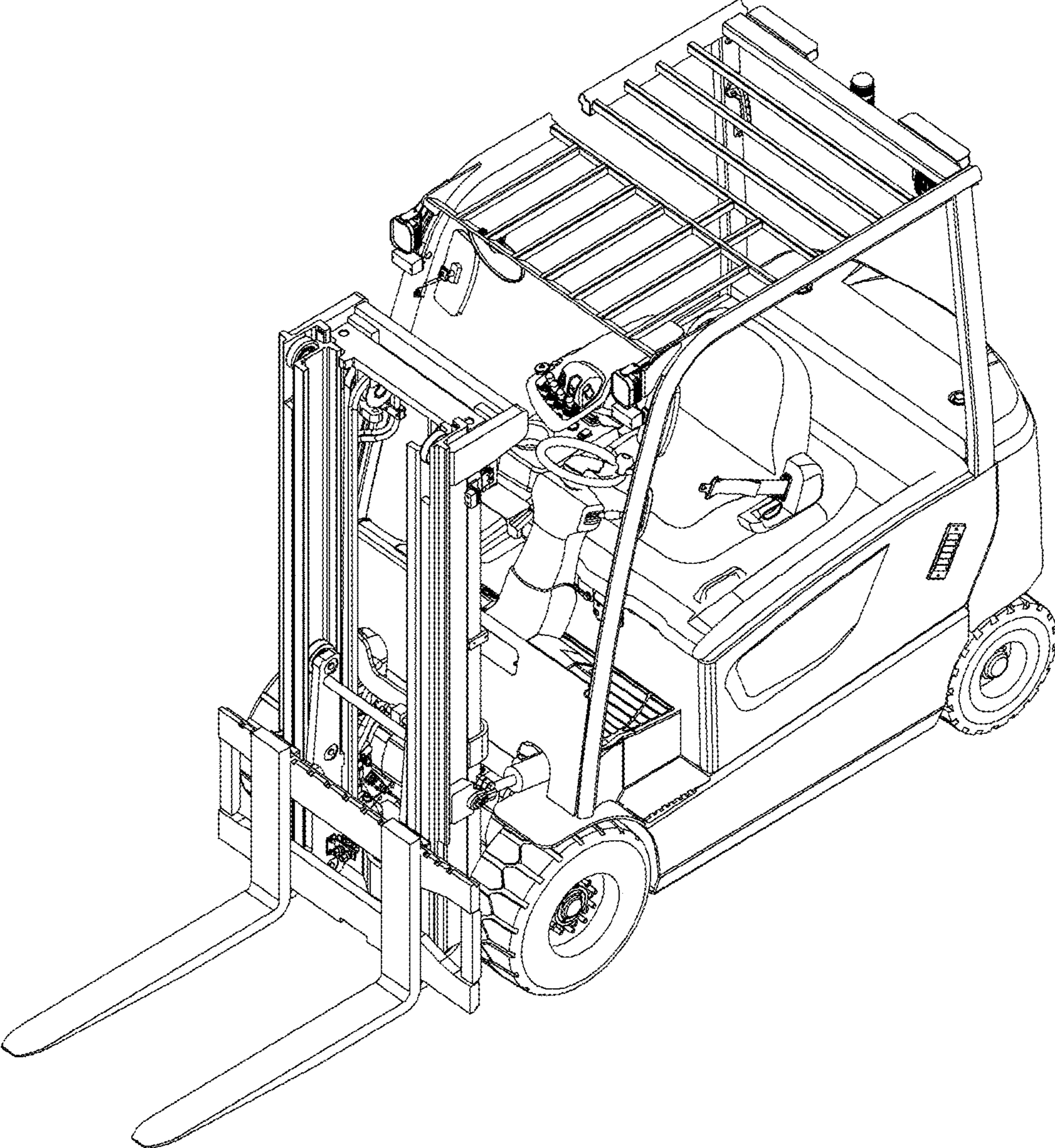


FIG. 2

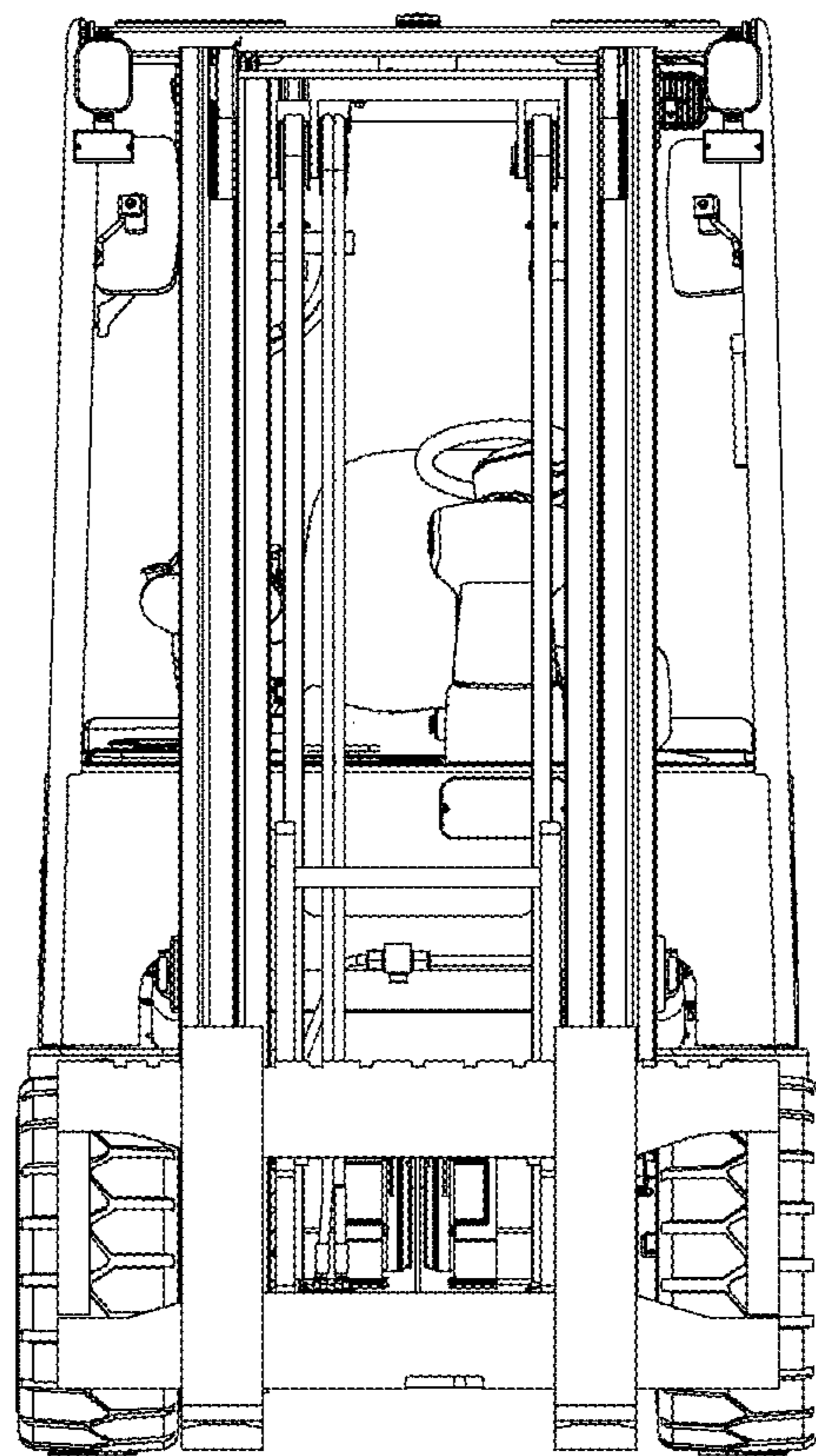


FIG. 3

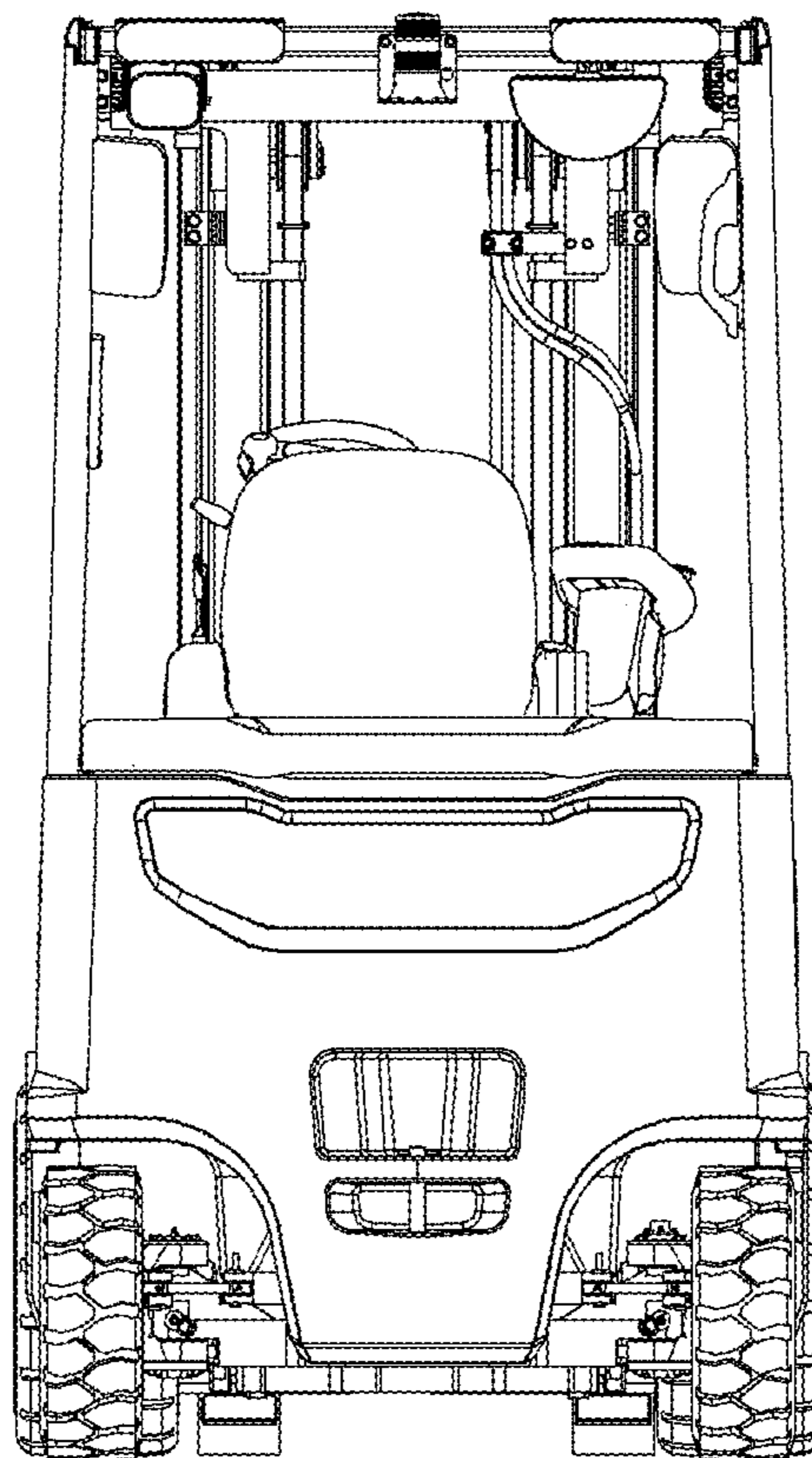


FIG. 4

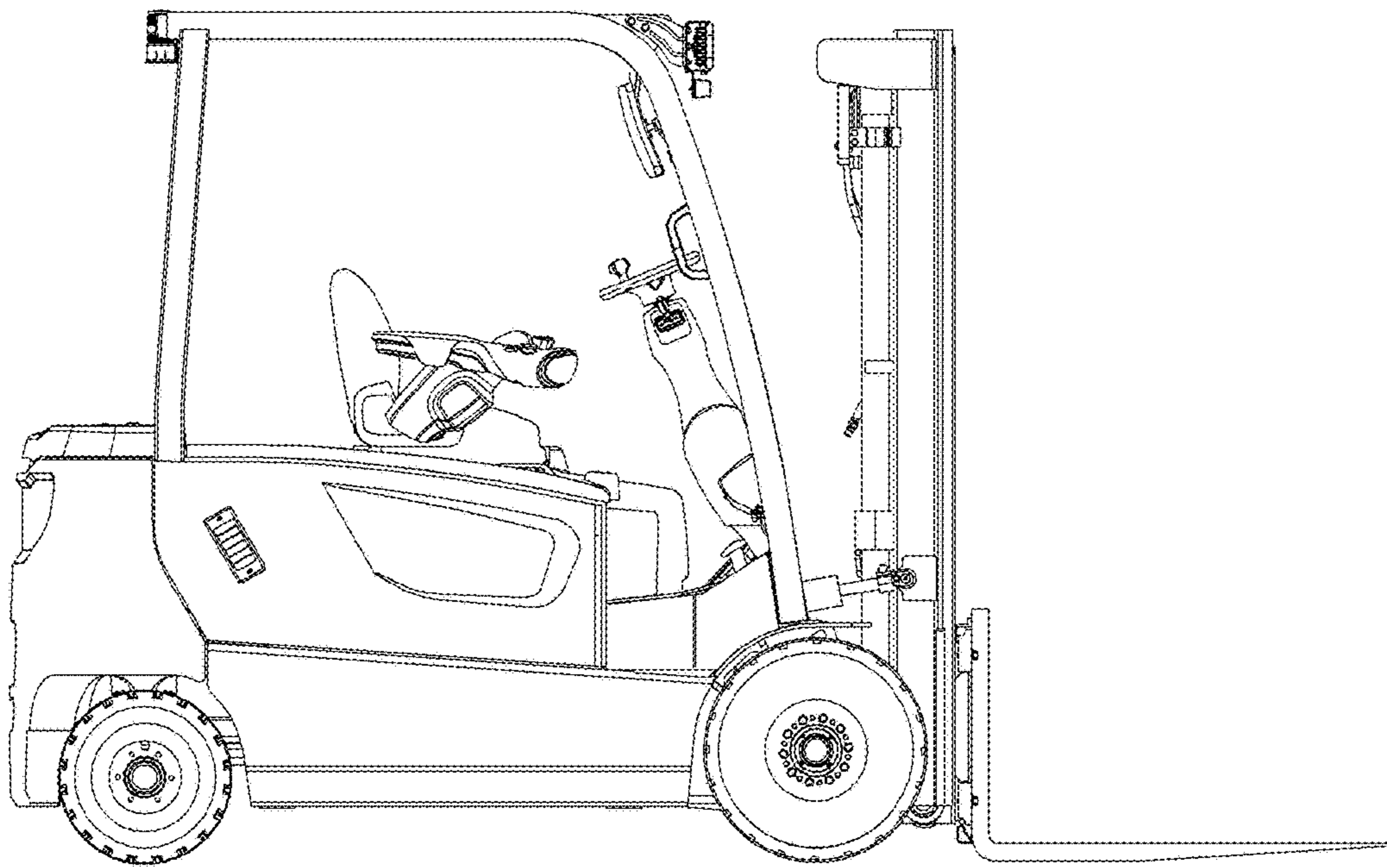


FIG. 5

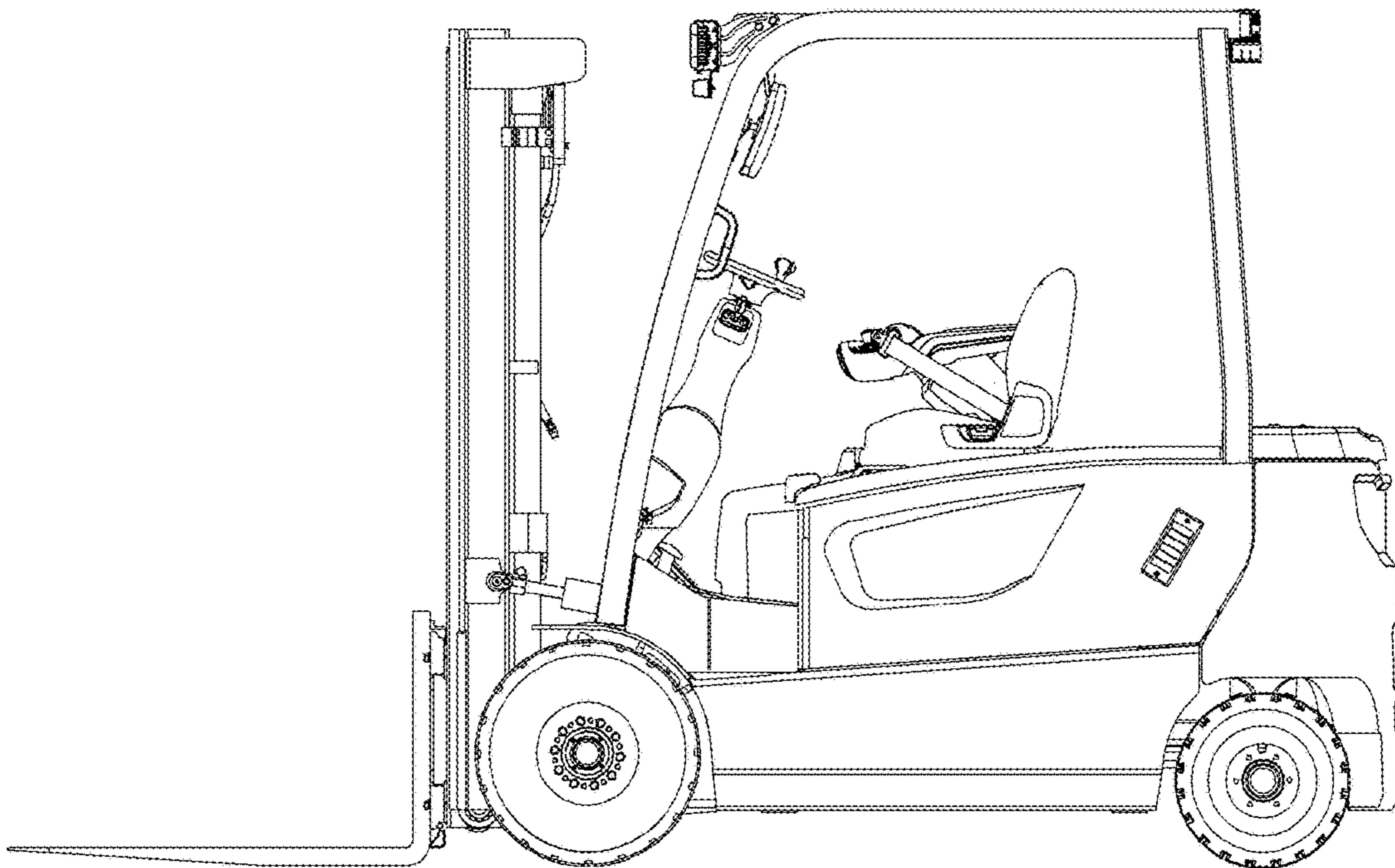


FIG. 6

