



US00D782769S

(12) **United States Design Patent** (10) **Patent No.:** **US D782,769 S**
Luburic (45) **Date of Patent:** **** Mar. 28, 2017**

- (54) **ROUND PAIL**
- (71) Applicant: **BWAY Corporation**, Atlanta, GA (US)
- (72) Inventor: **Frano Luburic**, Costa Mesa, CA (US)
- (73) Assignee: **BWAY Corporation**, Atlanta, GA (US)
- (**) Term: **15 Years**
- (21) Appl. No.: **29/579,047**
- (22) Filed: **Sep. 27, 2016**

4,844,405	A	7/1989	Sorensen	
5,292,024	A	3/1994	Koefeldt et al.	
5,305,911	A	4/1994	Aylward	
D352,143	S *	11/1994	Arshinoff	D32/53
5,850,935	A	12/1998	Luburic et al.	
5,873,484	A	2/1999	Clute et al.	
6,701,200	B1	3/2004	Lukis et al.	
D493,929	S *	8/2004	Schwarz	D32/53
7,077,989	B2	7/2006	Brown et al.	
7,207,457	B2	4/2007	Schwarz	
D590,561	S *	4/2009	Baltz	D32/53
D623,373	S *	9/2010	Rockwell, III	D32/53
D626,303	S *	10/2010	Loverbos	D32/53
8,256,640	B2	9/2012	Perkins et al.	
D683,510	S	5/2013	Schick	
2004/0060942	A1	4/2004	Luburic	
2005/0189360	A1	9/2005	Loucks et al.	
2007/0084870	A1	4/2007	Luburic et al.	

Related U.S. Application Data

- (62) Division of application No. 29/541,042, filed on Sep. 30, 2015, now Pat. No. Des. 771,339.
- (51) **LOC (10) Cl.** **07-07**
- (52) **U.S. Cl.**
USPC **D32/53**
- (58) **Field of Classification Search**
USPC D32/53, 53.1, 54; 220/495.01, 495.02, 220/495.06, 570, 904, 669, 752, 753; 15/257.05, 257.06, 264, 262
CPC B65D 25/14; B65D 25/16; A47L 13/52; A47L 13/58; A47J 47/18; B44D 3/126
See application file for complete search history.

FOREIGN PATENT DOCUMENTS

CA	2286285	A1	10/1998
CA	2441380	A1	3/2004

(Continued)

Primary Examiner — Robin V Webster
(74) *Attorney, Agent, or Firm* — Morris, Manning & Martin, LLP; Daniel E. Sineway, Esq.; Bryan D. Stewart, Esq.

(57) **CLAIM**

The ornamental design for a round pail, as shown and described.

DESCRIPTION

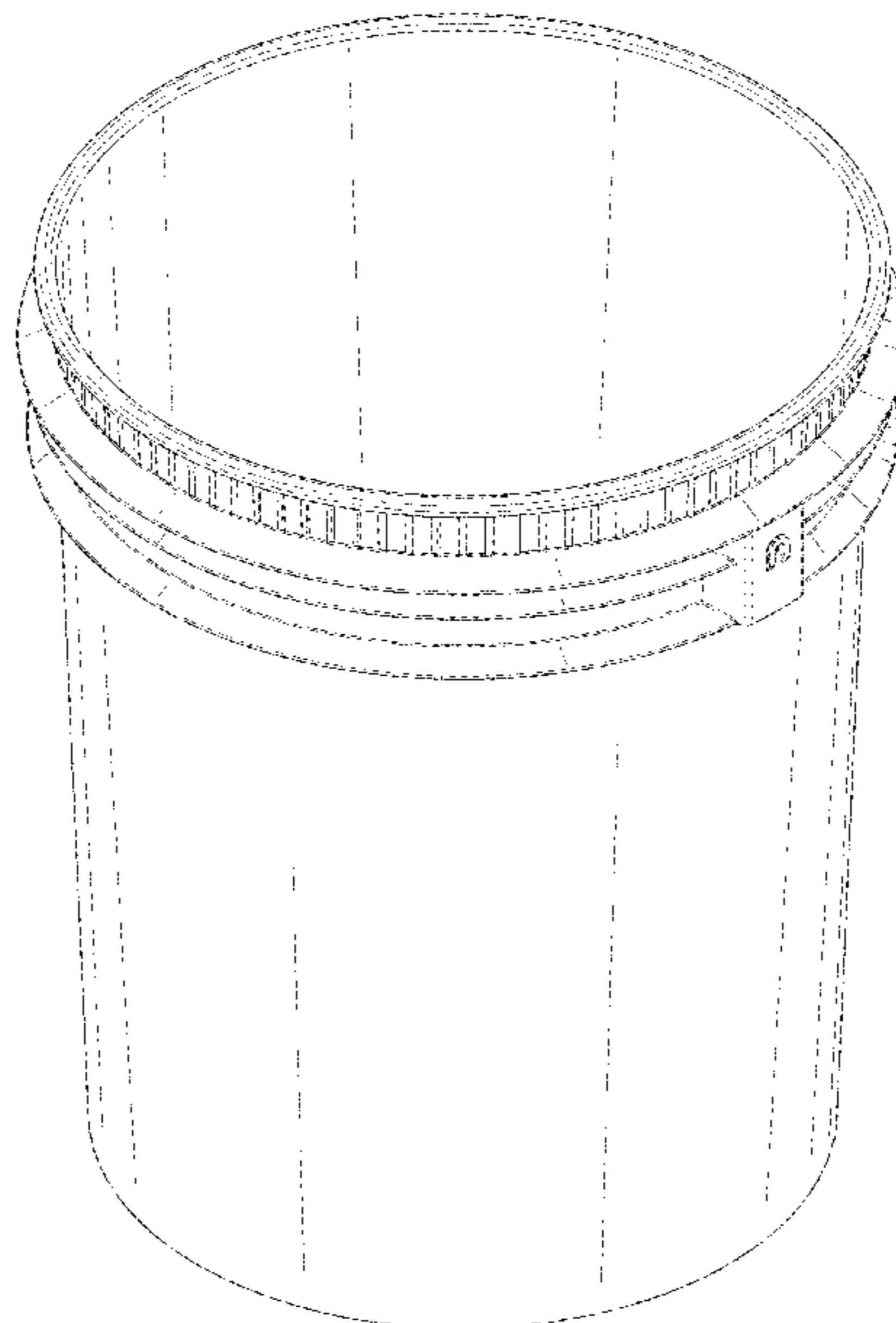
FIG. 1 is a perspective view of a round pail showing our new design;
FIG. 2 is a top view thereof; and,
FIG. 3 is a cross-sectional view taken along line 3-3 of FIG. 2.

1 Claim, 3 Drawing Sheets

(56) **References Cited**

U.S. PATENT DOCUMENTS

D220,973	S *	6/1971	Yates	D32/53
D236,320	S *	8/1975	Renou	D32/53
4,357,042	A *	11/1982	Gall	B65D 25/2876 215/396
4,359,168	A	11/1982	Triadu	
4,375,265	A	3/1983	Wetering et al.	
4,446,969	A	5/1984	Tyler	
D278,561	S	4/1985	Anderson	



(56)

References Cited

FOREIGN PATENT DOCUMENTS

WO	2001087718	A2	11/2001
WO	2007047543	A9	6/2008
WO	2008074908	A1	6/2008

* cited by examiner

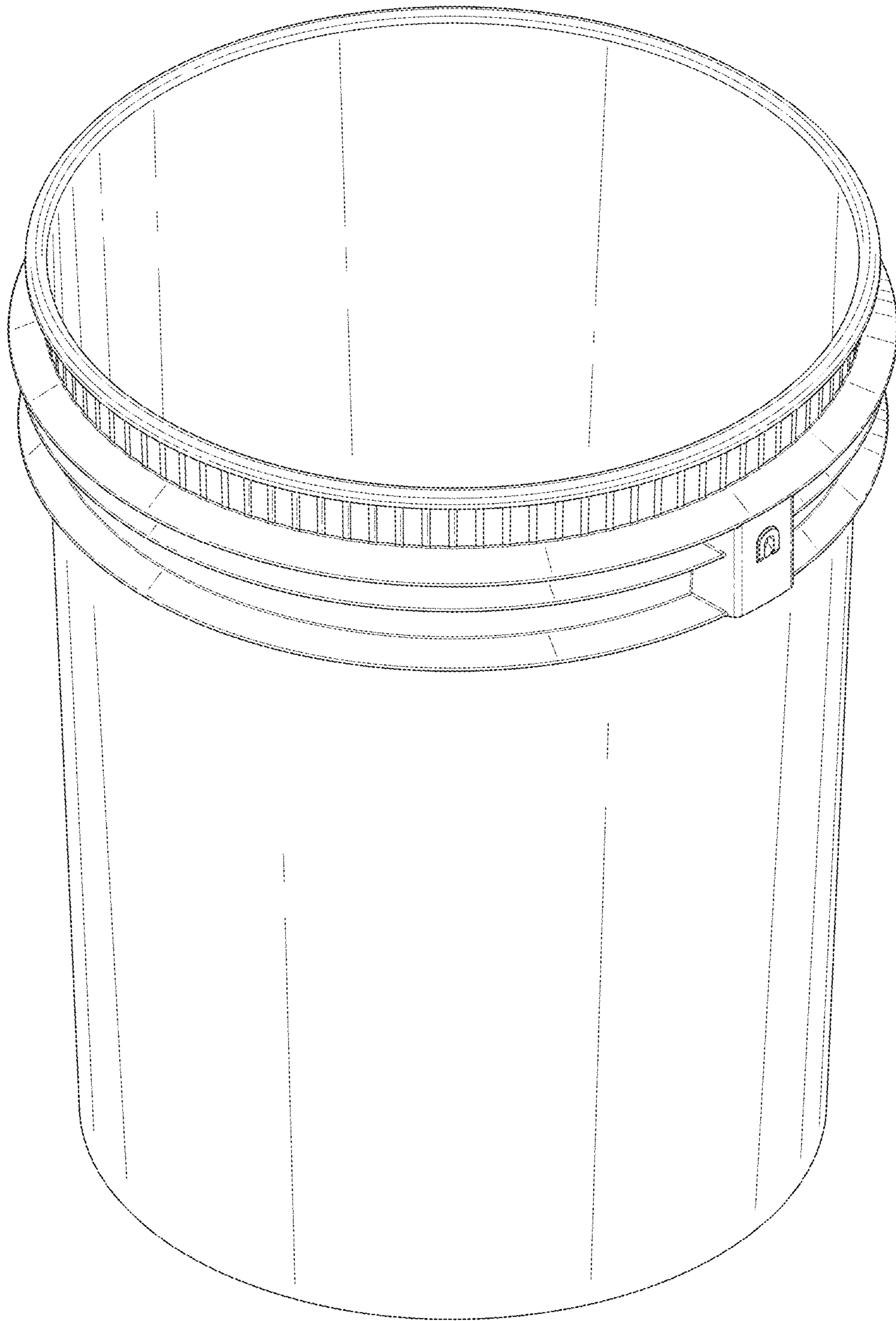


FIG. 1

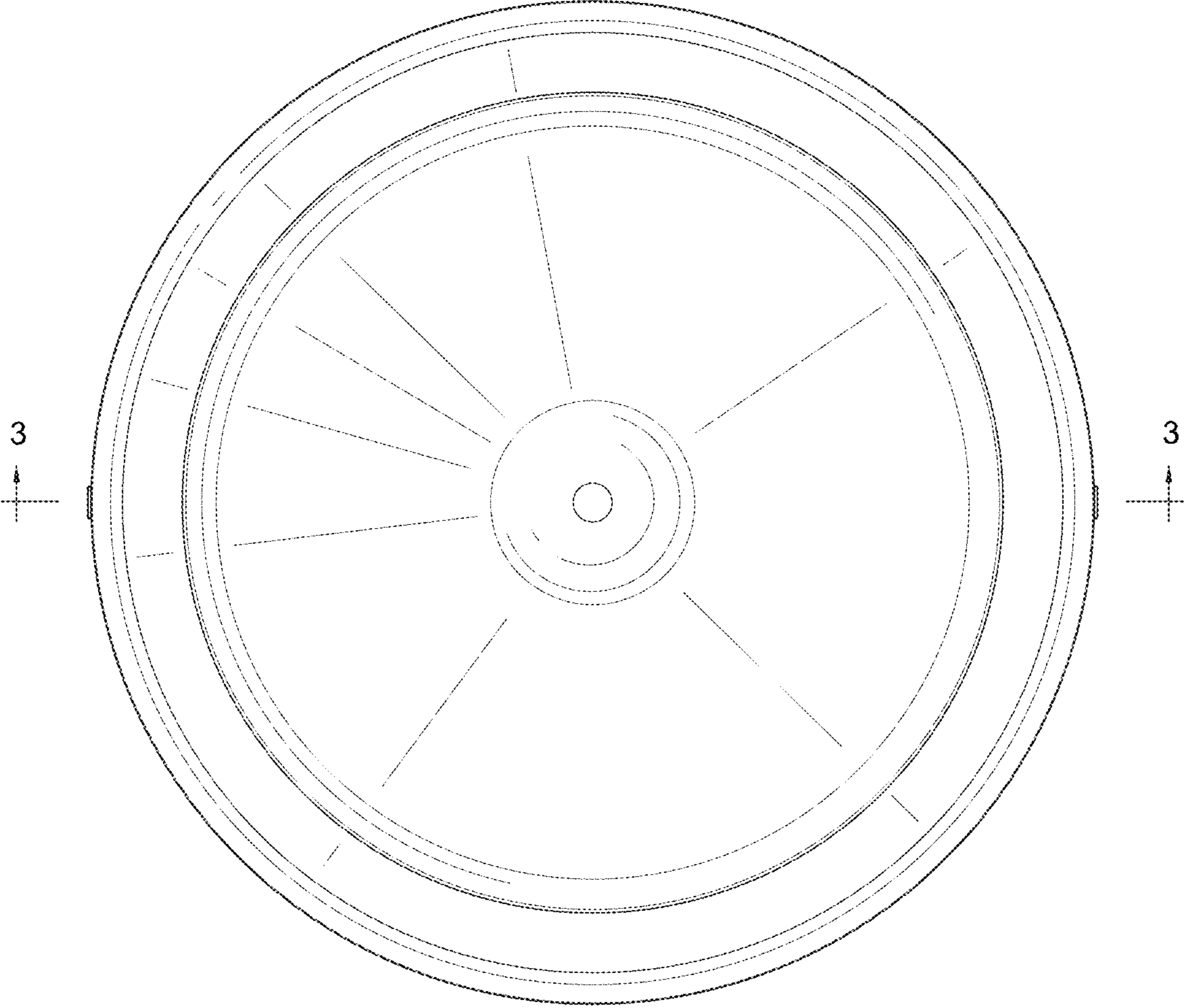


FIG. 2

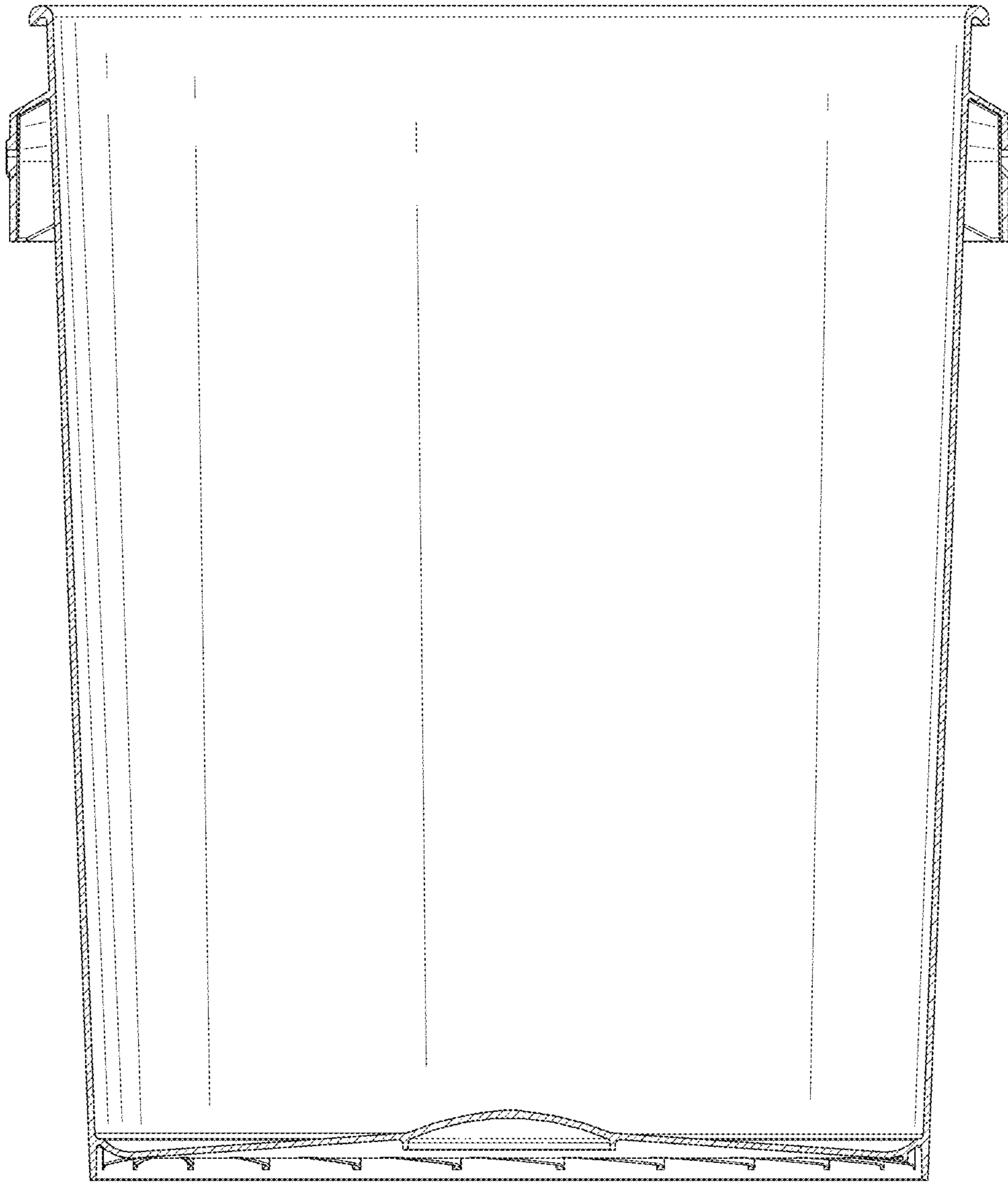


FIG. 3