

US00D782768S

(12) **United States Design Patent**
Luburic

(10) **Patent No.:** **US D782,768 S**

(45) **Date of Patent:** **** Mar. 28, 2017**

(54) **CONTAINER WITH INTEGRATED HANDLES**

(71) Applicant: **BWAY Coropration**, Atlanta, GA (US)

(72) Inventor: **Frano Luburic**, Costa Mesa, CA (US)

(73) Assignee: **BWAY Corporation**, Atlanta, GA (US)

(**) Term: **15 Years**

(21) Appl. No.: **29/574,509**

(22) Filed: **Aug. 16, 2016**

Related U.S. Application Data

(63) Continuation of application No. 15/179,543, filed on Jun. 10, 2016, which is a continuation-in-part of application No. 14/670,163, filed on Mar. 26, 2015, and a continuation-in-part of application No. 29/521,979, filed on Mar. 26, 2015, now Pat. No. Des. 778,519.

(51) **LOC (10) Cl.** **07-07**

(52) **U.S. Cl.**
USPC **D32/53**

(58) **Field of Classification Search**
USPC D32/53, 53.1, 54; 220/495.01, 495.02, 220/495.06, 570, 904, 669, 752, 753; 15/257.05, 257.06, 264, 262
CPC B65D 25/14; B65D 25/16; A47L 13/52; A47L 13/58; A47J 47/18; B44D 3/126
See application file for complete search history.

(56) **References Cited**

U.S. PATENT DOCUMENTS

3,198,377 A 8/1965 Buckley
D220,973 S * 6/1971 Yates D32/53
3,829,926 A 8/1974 Salladay
D236,320 S * 8/1975 Renou D32/53

4,357,042 A * 11/1982 Gall B65D 25/2876
215/396
4,431,326 A 2/1984 Braithwaite et al.
4,967,918 A 11/1990 Long et al.
5,207,348 A 5/1993 Fischer et al.
D352,143 S * 11/1994 Arshinoff D32/53
5,390,818 A 2/1995 LaBuda
5,456,357 A 10/1995 Wenner et al.
5,547,104 A 8/1996 Parker
5,735,422 A 4/1998 Binter et al.
5,803,303 A 9/1998 Timm et al.
5,806,709 A 9/1998 Marshall
5,964,372 A 10/1999 Dubois et al.
6,199,718 B1 3/2001 Ellis et al.
6,308,858 B1 10/2001 Koefeldt et al.
6,471,221 B1 10/2002 McGarry et al.
D469,233 S 1/2003 Begnani
D493,929 S * 8/2004 Schwarz D32/53
6,808,081 B1 10/2004 Citro
7,172,088 B2 2/2007 McDade et al.
D545,519 S 6/2007 King

(Continued)

Primary Examiner — Robin V Webster

(74) *Attorney, Agent, or Firm* — Morris, Manning & Martin, LLP; Daniel E. Sineway, Esq.; Bryan D. Stewart, Esq.

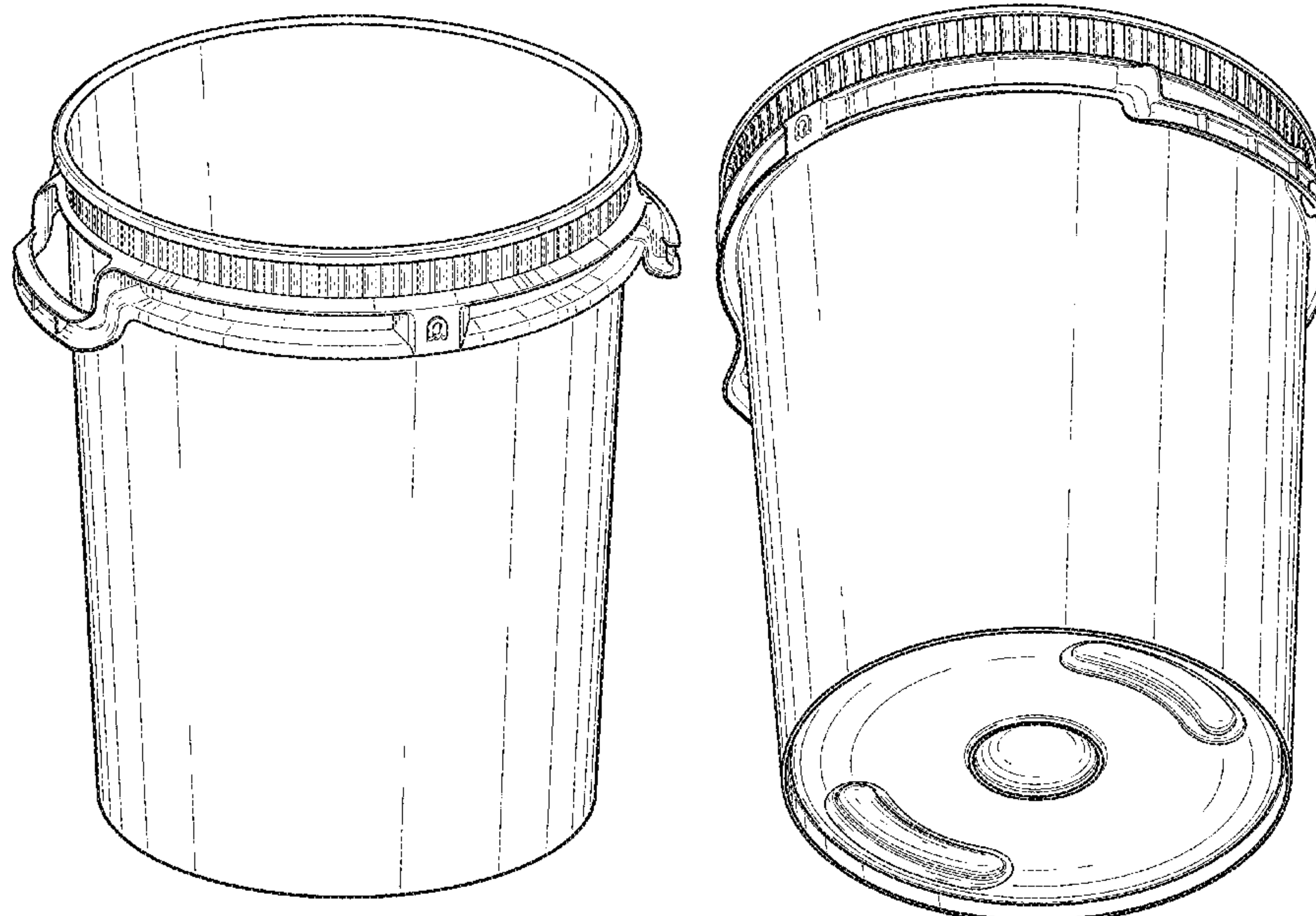
(57) **CLAIM**

The ornamental design for the container with integrated handles, as shown and described.

DESCRIPTION

FIG. 1 is a perspective view of a container with integrated handles showing our new design;
FIG. 2 is a front view thereof;
FIG. 3 is a side view thereof;
FIG. 4 is a perspective bottom view thereof;
FIG. 5 is a top view thereof; and,
FIG. 6 is a bottom view thereof.

1 Claim, 6 Drawing Sheets



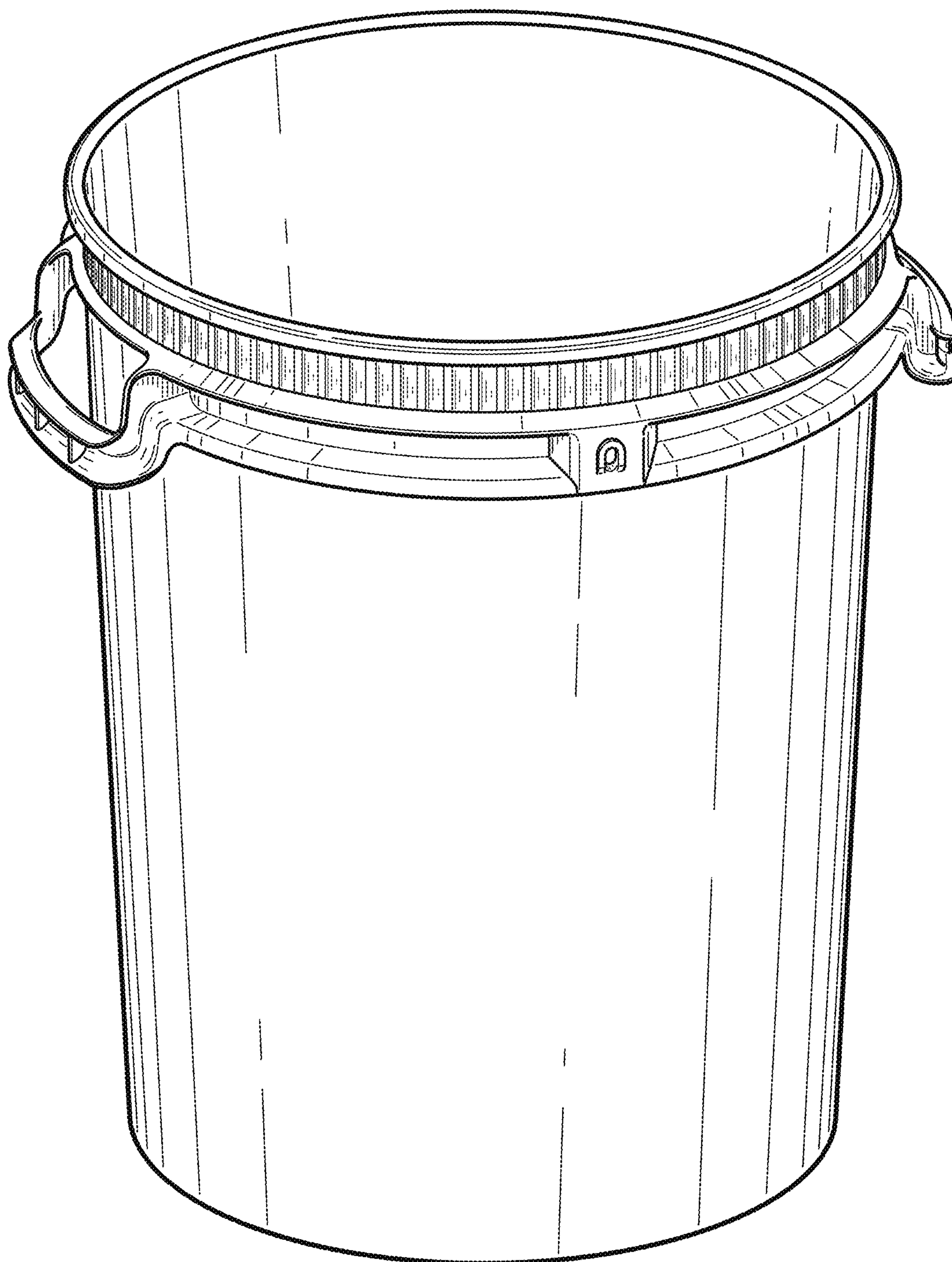


FIG. 1

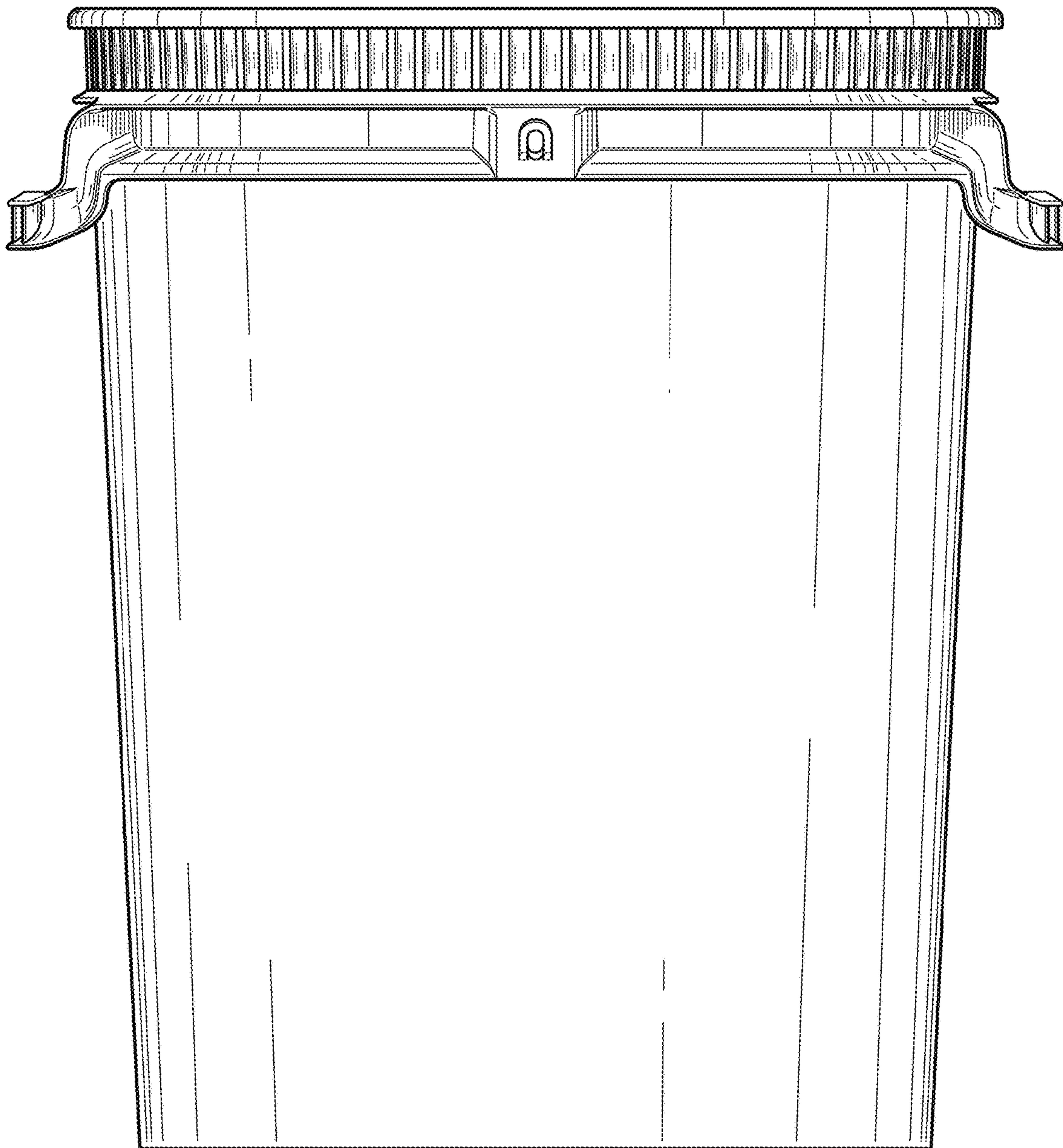


FIG. 2

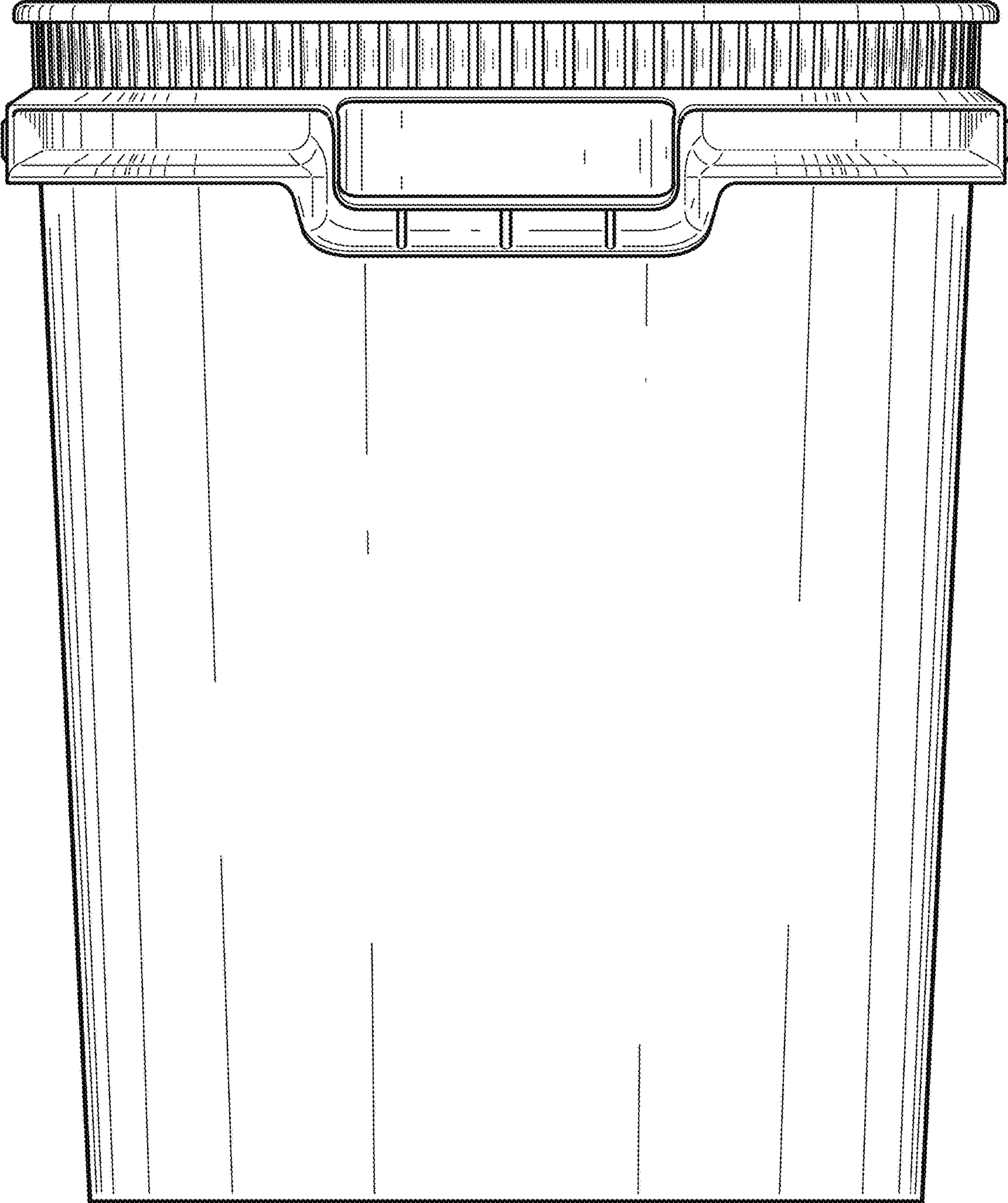


FIG. 3



FIG. 4

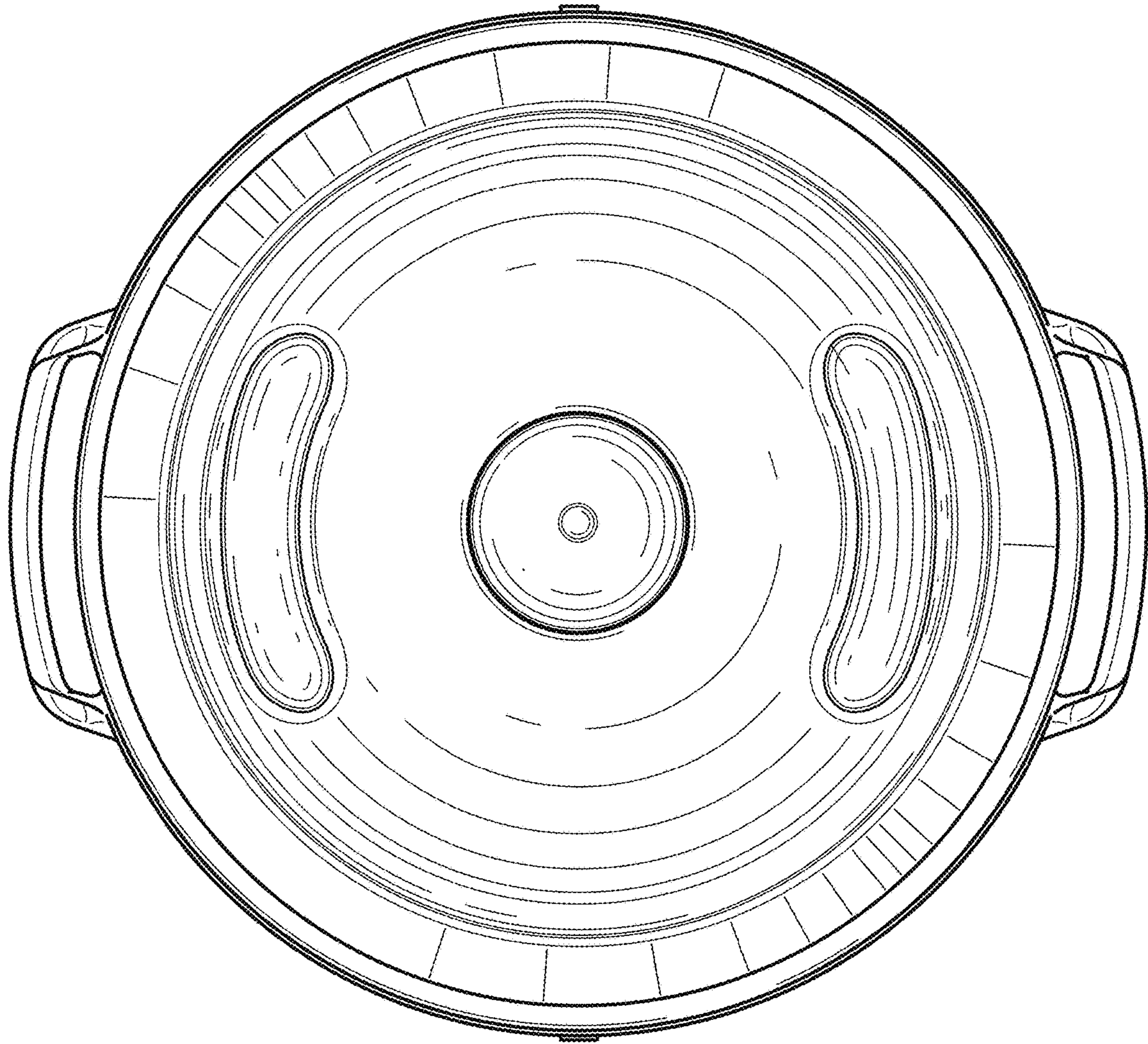


FIG. 5

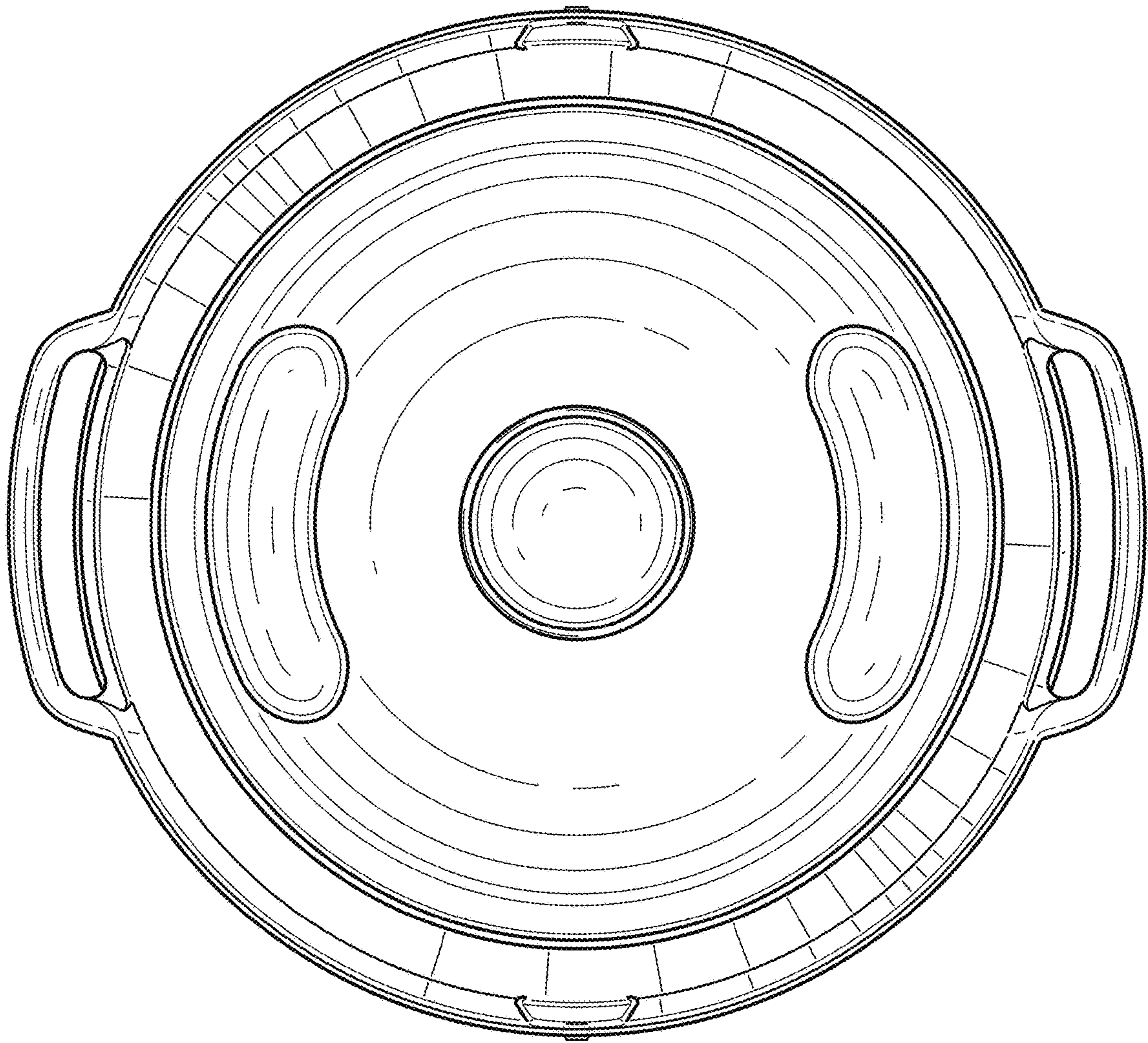


FIG. 6