



US00D782767S

(12) **United States Design Patent**  
**Kearney**

(10) **Patent No.:** **US D782,767 S**

(45) **Date of Patent:** **\*\* Mar. 28, 2017**

(54) **BUCKET**

D531,368 S \* 10/2006 Lauer ..... D32/53  
D531,772 S \* 11/2006 Lauer ..... D32/53  
D536,851 S \* 2/2007 Lauer ..... D32/53

(71) Applicant: **Lori L. Leonard Kearney**, Ellicott  
City, MD (US)

\* cited by examiner

(72) Inventor: **Lori L. Leonard Kearney**, Ellicott  
City, MD (US)

*Primary Examiner* — Robin V Webster

(74) *Attorney, Agent, or Firm* — Rahman LLC

(\*\*) Term: **15 Years**

(57) **CLAIM**

(21) Appl. No.: **29/565,862**

The ornamental design for a bucket, as shown and described.

(22) Filed: **May 25, 2016**

**DESCRIPTION**

(51) **LOC (10) Cl.** ..... **07-07**

(52) **U.S. Cl.**

USPC ..... **D32/53**

(58) **Field of Classification Search**

USPC ..... D32/53, 53.1, 54; 220/570, 904;  
15/260-264

CPC ..... A47L 13/142; A47L 13/58

See application file for complete search history.

FIG. 1 is a perspective view of a bucket showing my new design;

FIG. 2 is another perspective view of the bucket;

FIG. 3 is a rear view of the bucket;

FIG. 4 is a front view of the bucket;

FIG. 5 is a right side view of the bucket;

FIG. 6 is a left side view of the bucket;

FIG. 7 is a bottom view of the bucket; and,

FIG. 8 is a top view of the bucket.

The broken lines shown in the drawings of a handle and wheels are for illustrative purposes only and form no part of the claimed design.

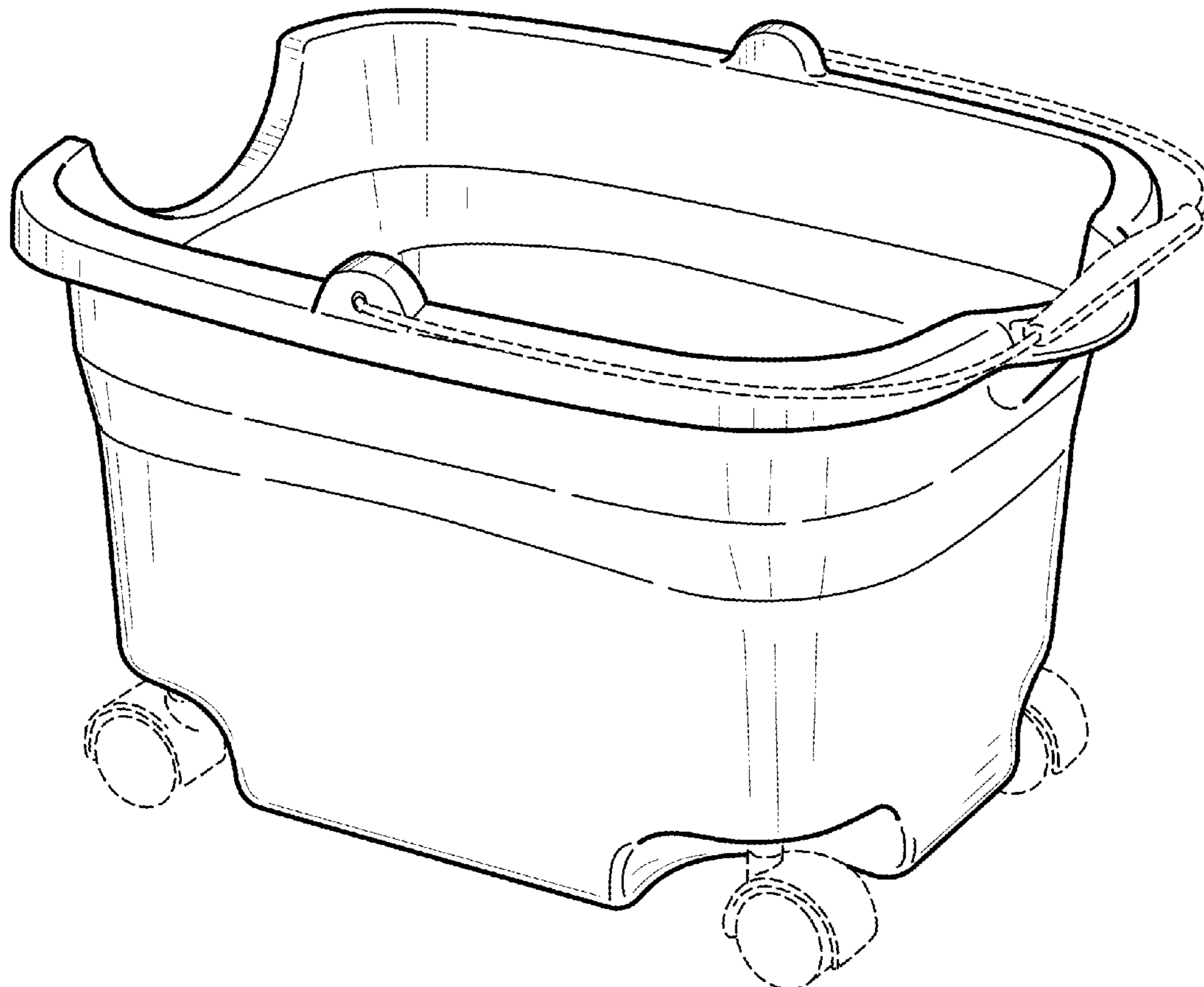
(56) **References Cited**

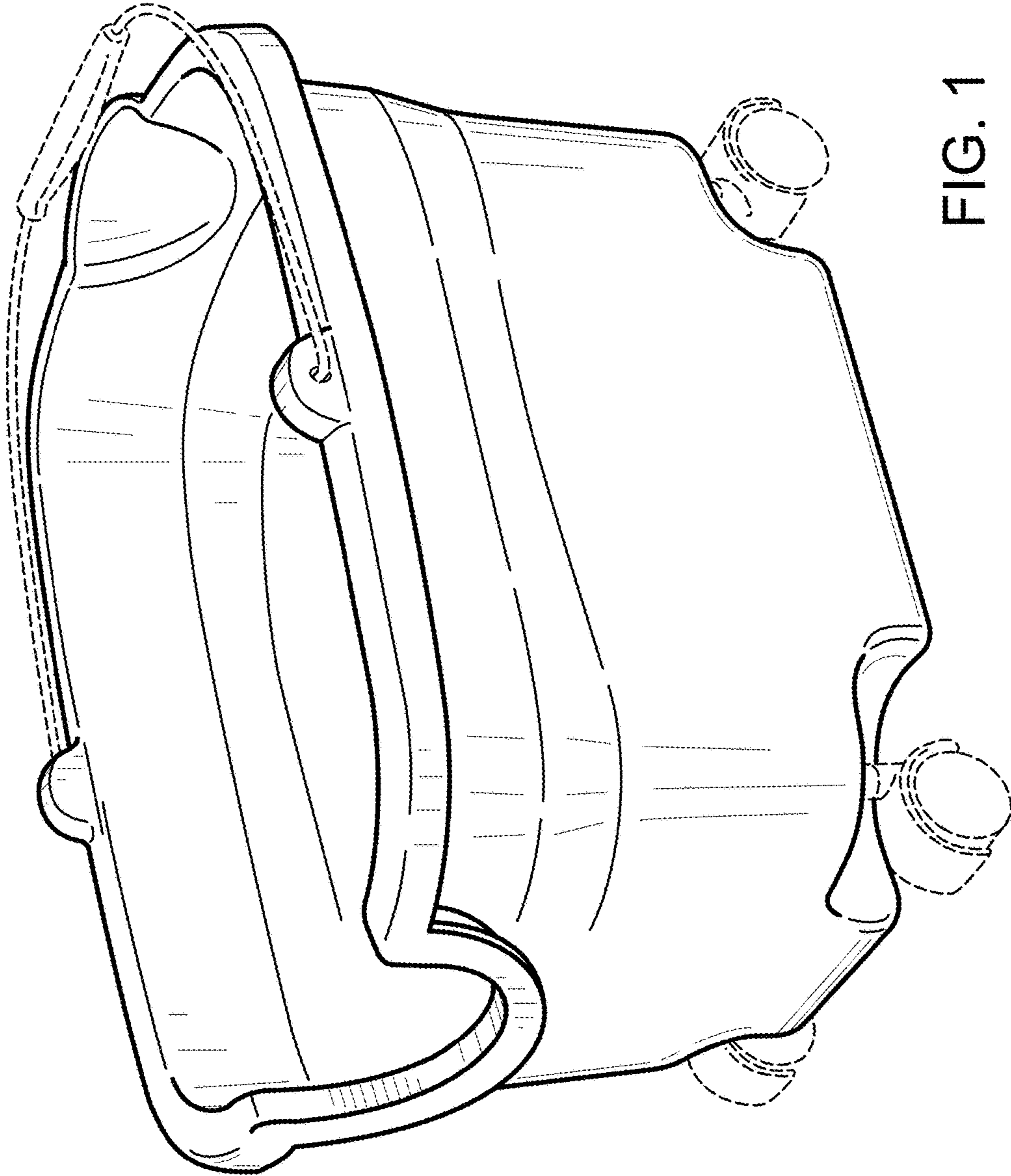
**U.S. PATENT DOCUMENTS**

D286,096 S \* 10/1986 Jaros ..... D32/53.1

D429,396 S \* 8/2000 Houry ..... D32/53

**1 Claim, 8 Drawing Sheets**





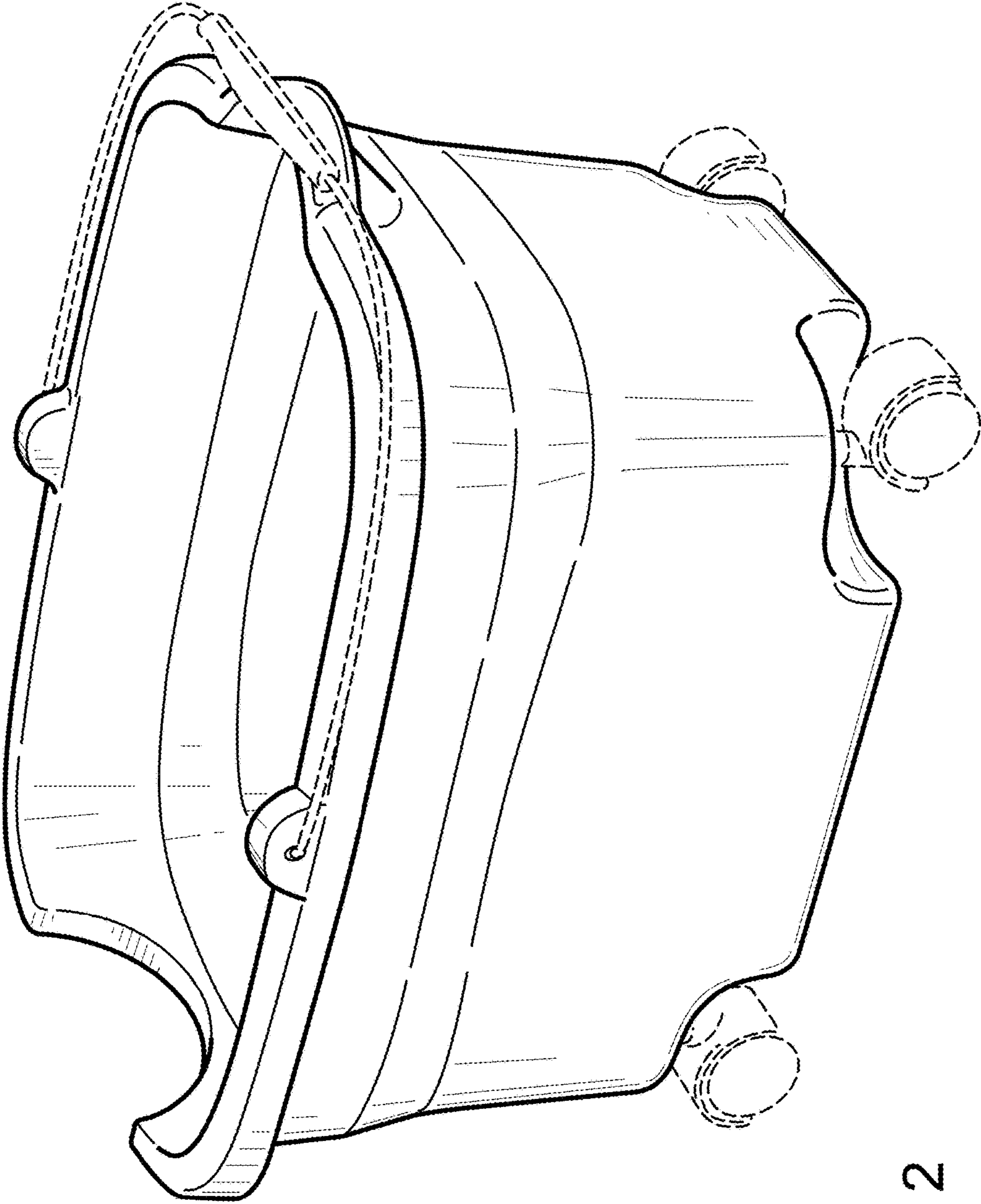


FIG. 2

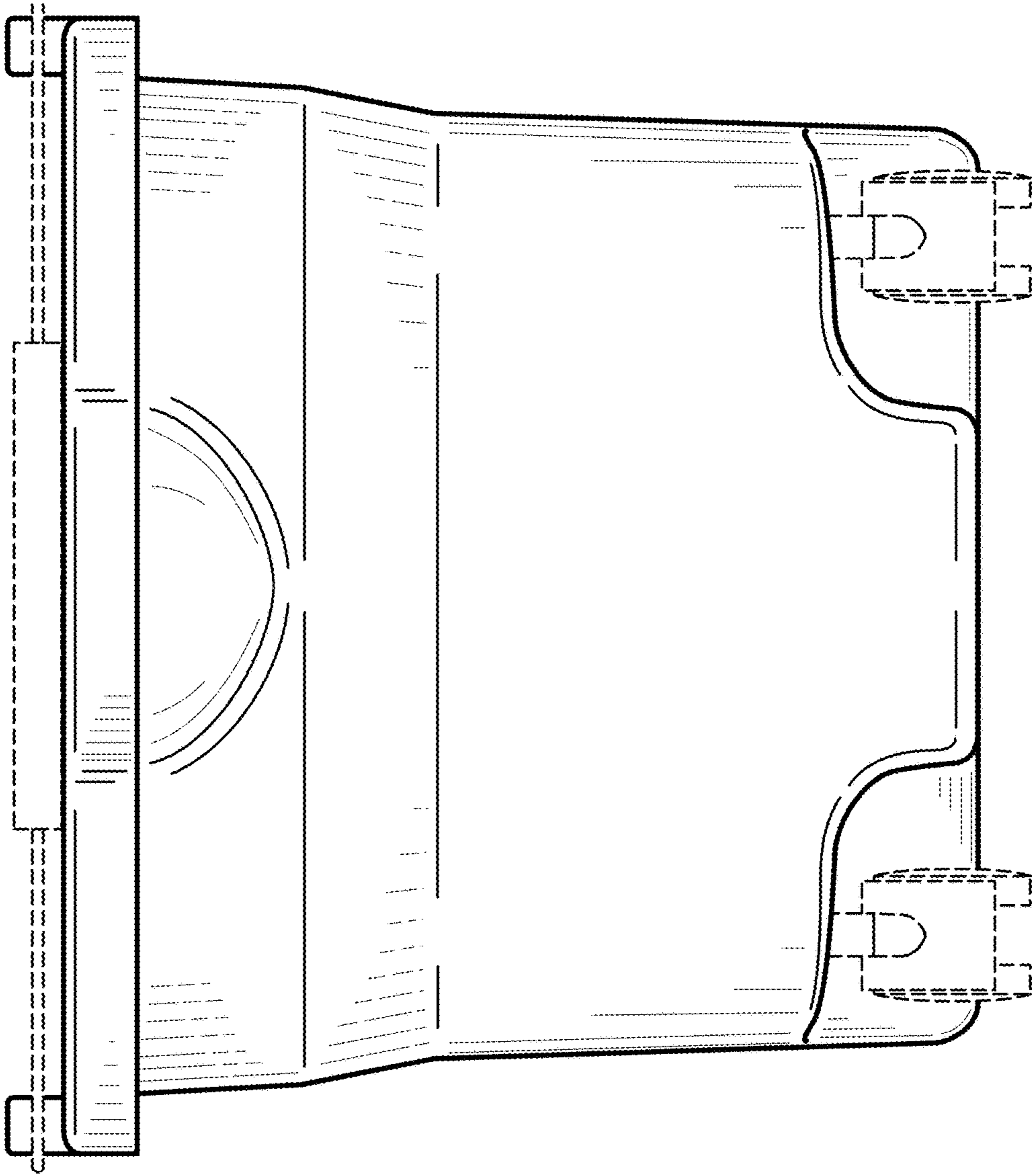


FIG. 3



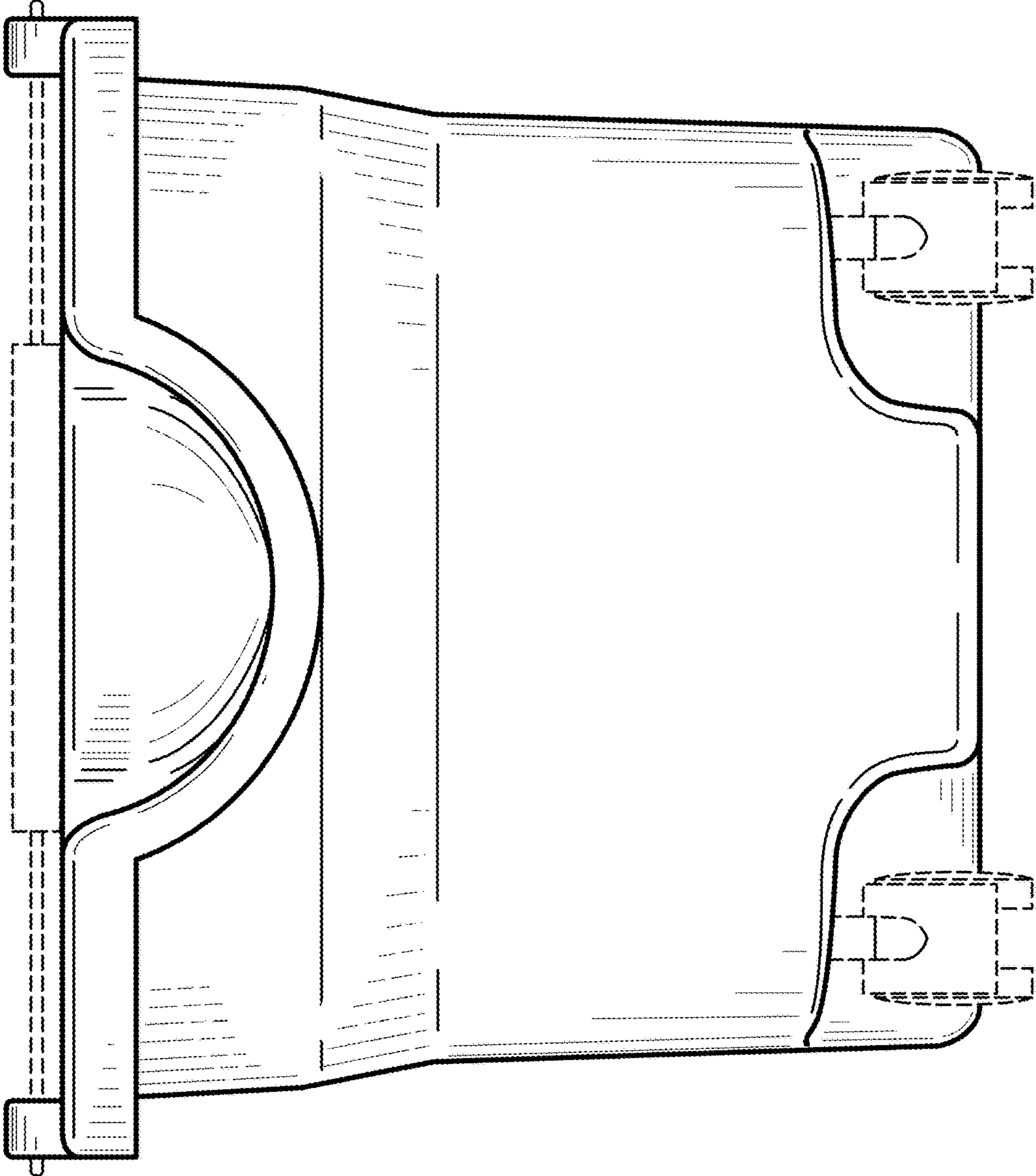


FIG. 4

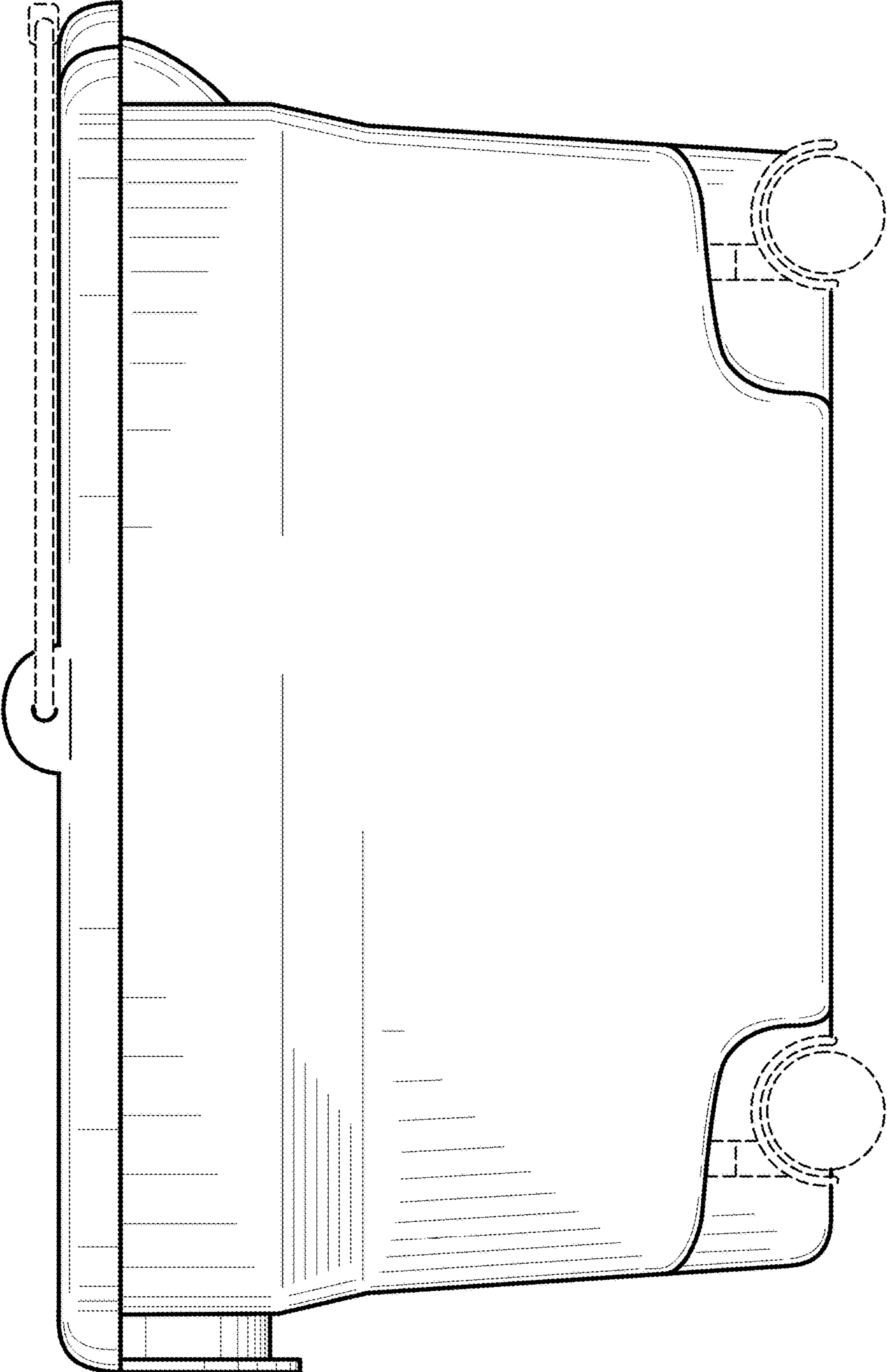


FIG. 5

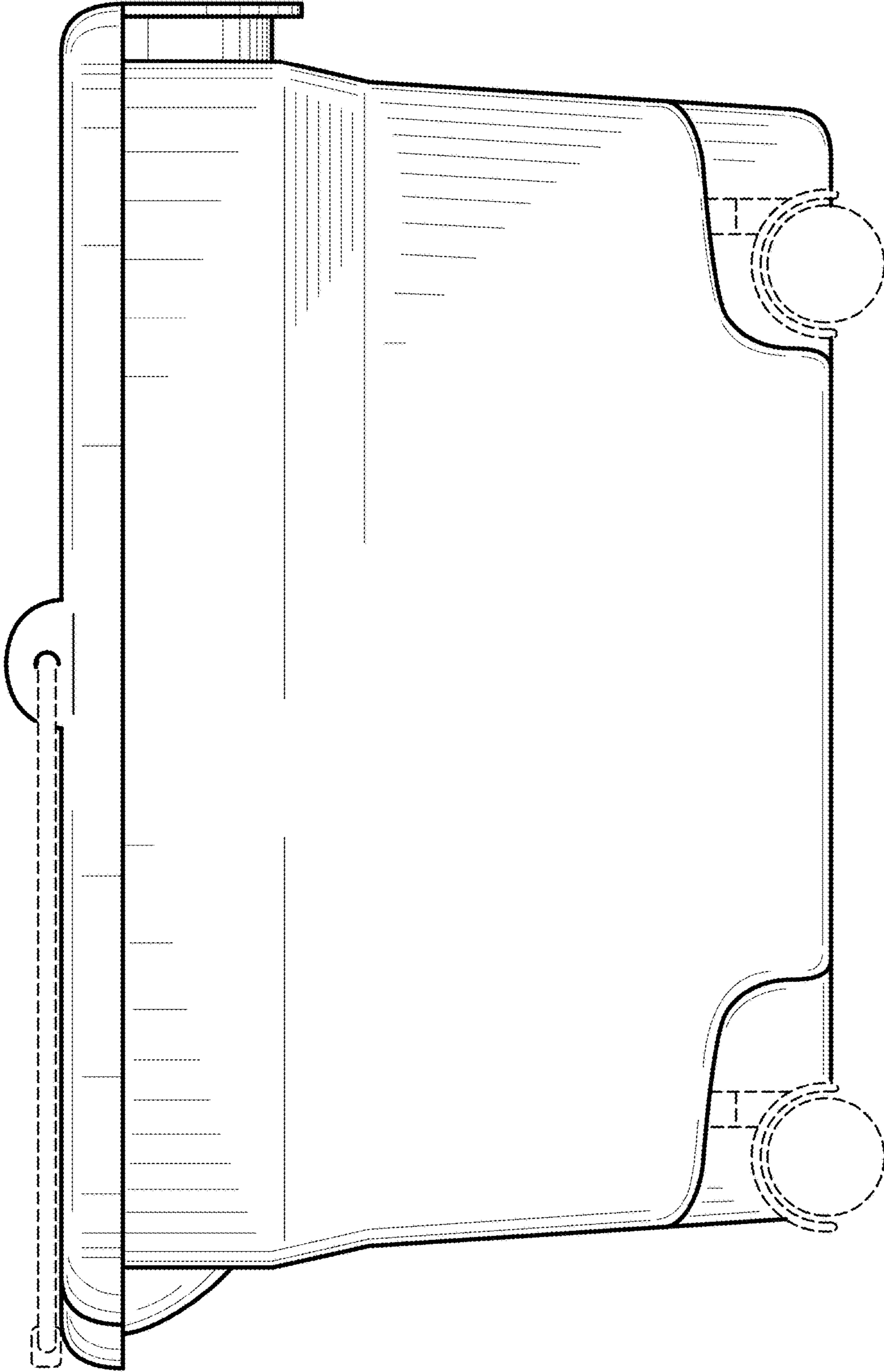


FIG. 6

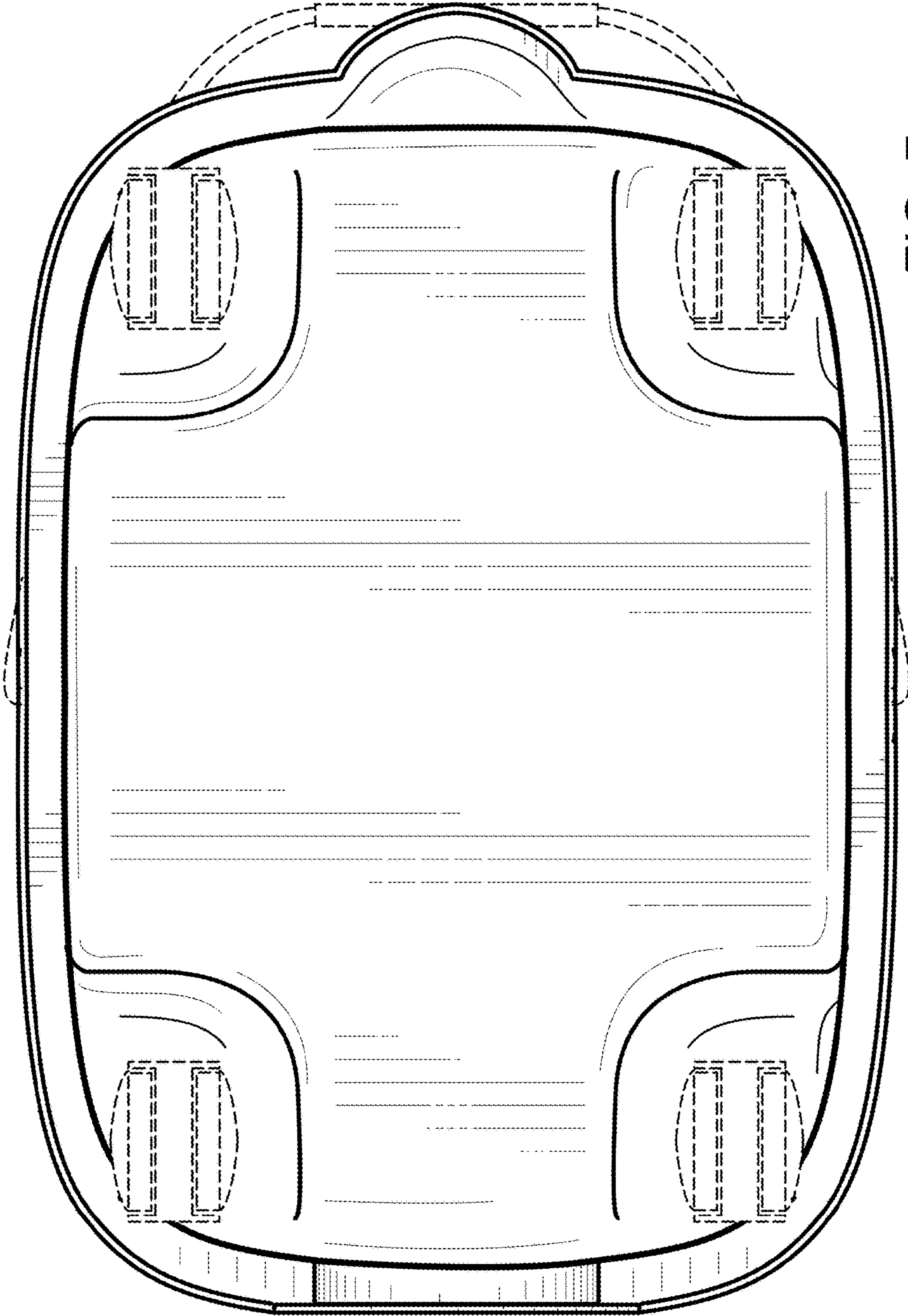


FIG. 7



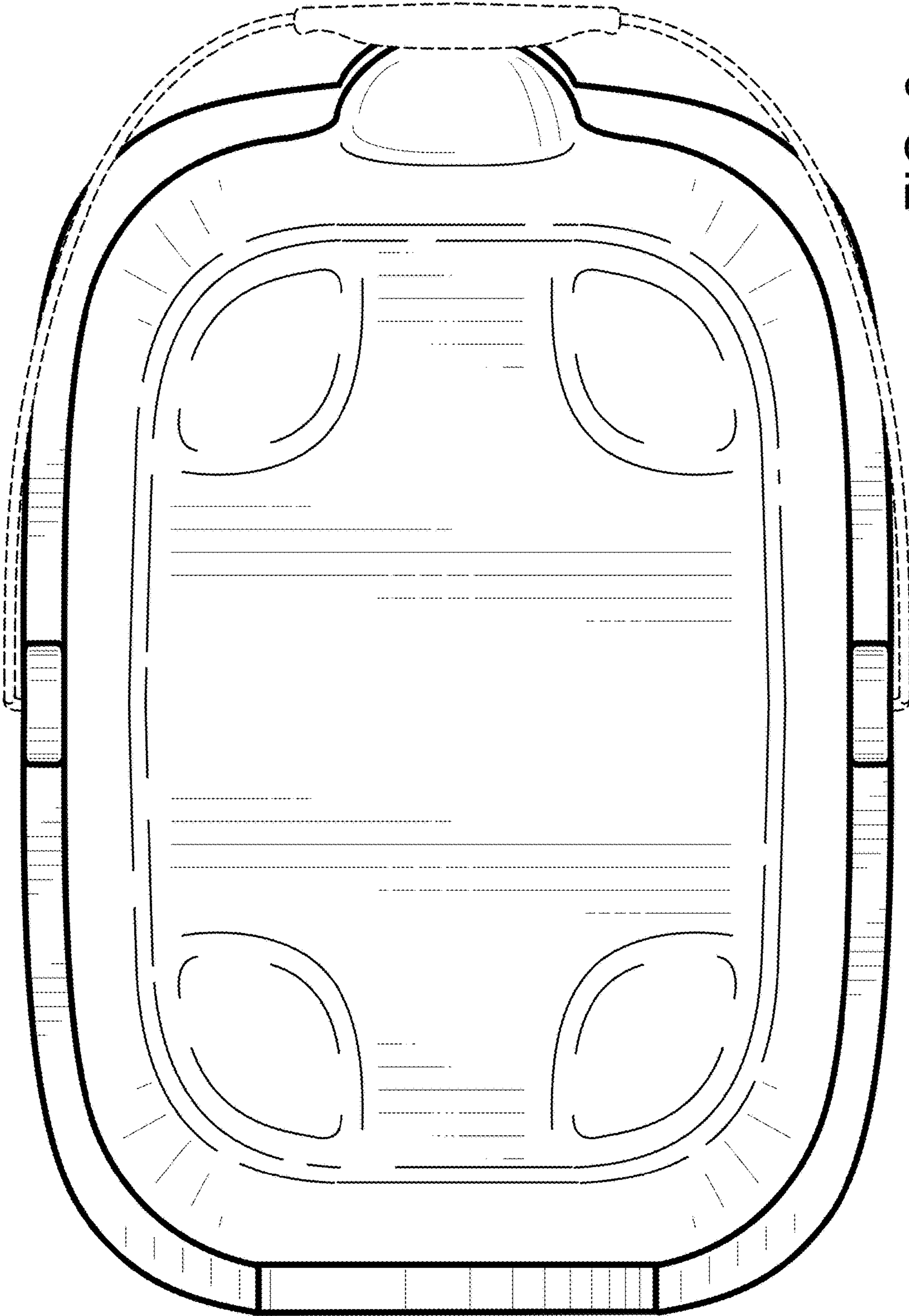


FIG. 8