



US00D782766S

(12) **United States Design Patent** (10) **Patent No.:** **US D782,766 S**  
**Kassouni** (45) **Date of Patent:** **\*\* Mar. 28, 2017**

(54) **COMBINATION SNOW SCRAPER AND ICE CHOPPER FOR ROOFTOPS**

(71) Applicant: **Van M. Kassouni**, Grand Rapids, MI (US)

(72) Inventor: **Van M. Kassouni**, Grand Rapids, MI (US)

(\*\*) Term: **15 Years**

(21) Appl. No.: **29/562,624**

(22) Filed: **Apr. 27, 2016**

**Related U.S. Application Data**

(62) Division of application No. 29/502,809, filed on Sep. 19, 2014, now Pat. No. Des. 764,130.

(51) **LOC (10) Cl.** ..... **06-05**

(52) **U.S. Cl.**  
USPC ..... **D32/46**

(58) **Field of Classification Search**  
USPC ..... D32/46, 49, 42; D8/14, 45, 46, 47, 105, D8/98, 90, 101; D4/138; D7/682  
CPC .. B25G 3/26; B25G 1/04; B25B 13/48; A45B 9/02; B05C 17/0205  
See application file for complete search history.

(56) **References Cited**

**U.S. PATENT DOCUMENTS**

D20,152 S	9/1890	Smith et al.	
D34,566 S	5/1901	Stimpson	
1,071,758 A	9/1913	Labelle	
1,839,285 A	1/1932	Winkie	
2,277,528 A	3/1942	Osborn	
D144,225 S	3/1946	Teague	
3,119,138 A	1/1964	Davis	
D262,597 S	1/1982	Rangel	
4,939,807 A *	7/1990	Hencz	A47L 1/06 15/105
D314,895 S	2/1991	Rumpel	

(Continued)

**OTHER PUBLICATIONS**

Co-pending Design U.S. Appl. No. 29/502,809, filed Sep. 19, 2014.

*Primary Examiner* — Michael A. Pratt

*Assistant Examiner* — Michelle E Wilson

(74) *Attorney, Agent, or Firm* — Gardner, Linn, Burkhardt & Flory, LLP

(57) **CLAIM**

The ornamental design for the combination snow scraper and ice chopper for rooftops, as shown and described.

**DESCRIPTION**

FIG. 1 is an upper perspective view of a combination snow scraper and ice chopper for rooftops in accordance with the present invention;

FIG. 2 is a rear elevation thereof;

FIG. 3 is a front elevation thereof;

FIG. 4 is a side elevation thereof;

FIG. 5 is an opposite side elevation thereof;

FIG. 6 is a top plan view thereof;

FIG. 7 is a bottom plan view thereof;

FIG. 8 is an upper perspective view of a combination snow scraper and ice chopper for rooftops in accordance with the present invention;

FIG. 9 is a rear elevation thereof;

FIG. 10 is a front elevation thereof;

FIG. 11 is a side elevation thereof;

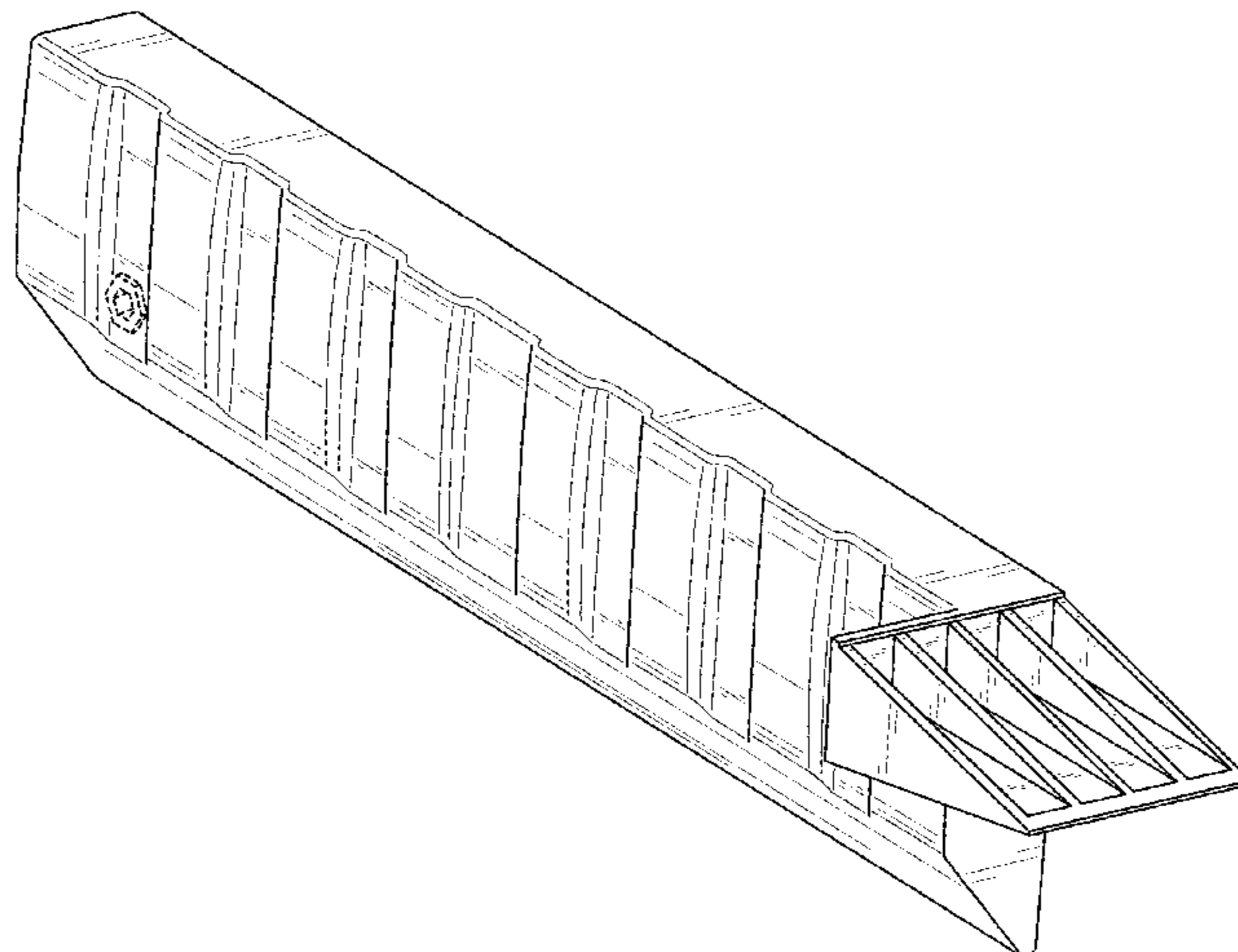
FIG. 12 is an opposite side elevation thereof;

FIG. 13 is a top plan view thereof; and,

FIG. 14 is a bottom plan view thereof.

The areas of the combination snow scraper and ice chopper for rooftops that are shown in broken lines form no part of the claimed design.

**1 Claim, 12 Drawing Sheets**



(56)

**References Cited**

U.S. PATENT DOCUMENTS

5,099,540 A \* 3/1992 Paschetto ..... A47L 1/16  
15/236.01  
5,309,654 A 5/1994 Mathis  
D349,592 S \* 8/1994 Stoll ..... 15/236.05  
5,418,998 A \* 5/1995 Smarra ..... A47L 1/16  
15/105  
D392,078 S \* 3/1998 Courts ..... D32/46  
5,816,632 A \* 10/1998 Baldacci ..... E01H 5/12  
294/51  
D450,412 S \* 11/2001 Hajduk ..... D32/41  
D492,332 S 6/2004 Boyd  
D493,078 S 7/2004 McGee et al.  
7,347,468 B1 3/2008 Tidcomb  
7,681,317 B2 3/2010 Fagan  
2011/0258889 A1 10/2011 Settembre et al.

\* cited by examiner

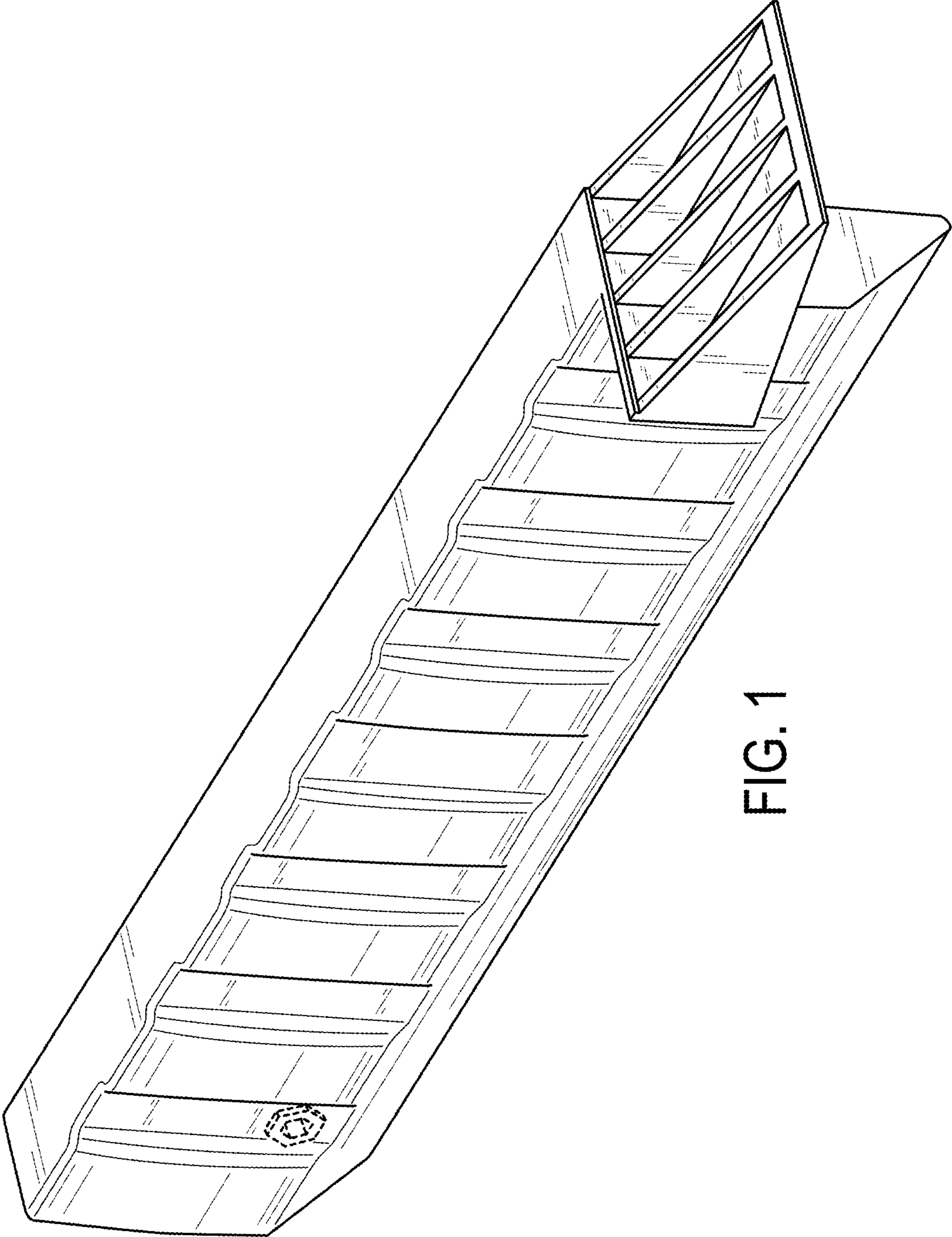


FIG. 1

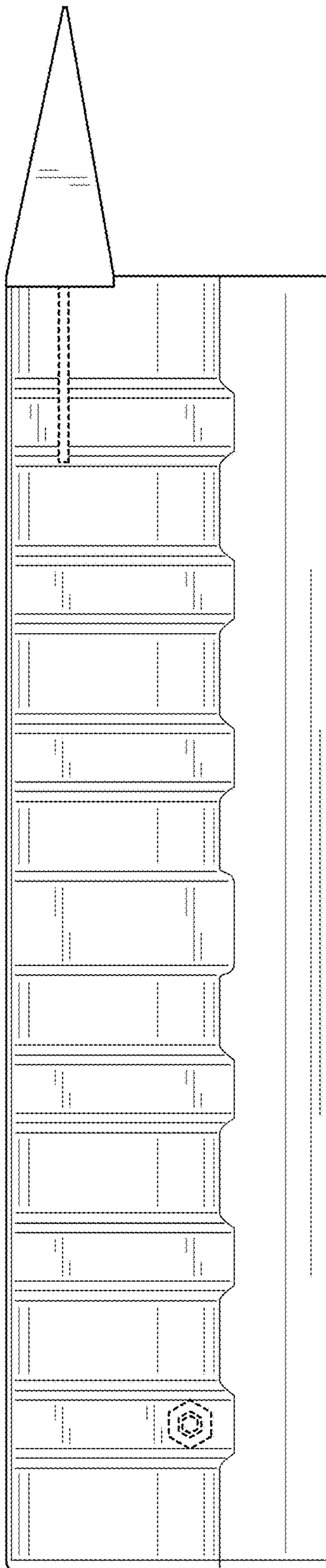


FIG. 2

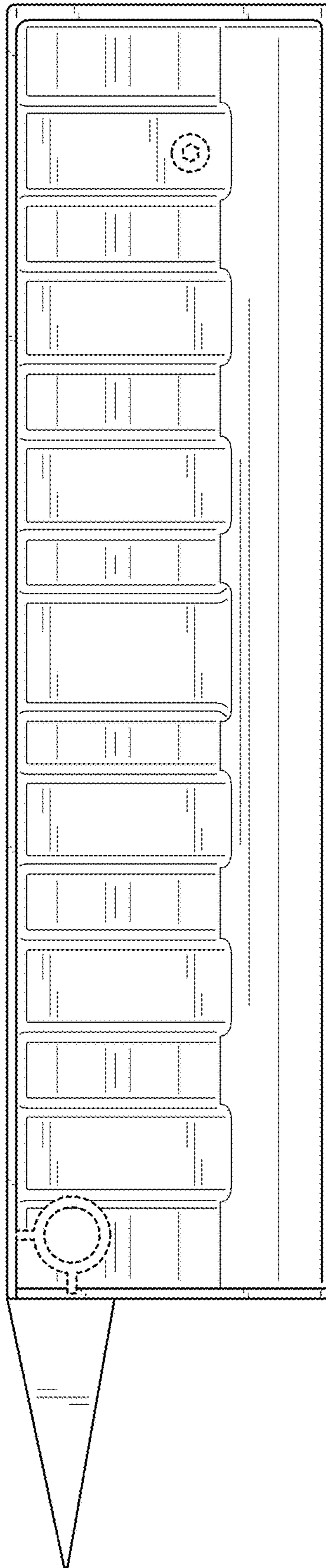


FIG. 3



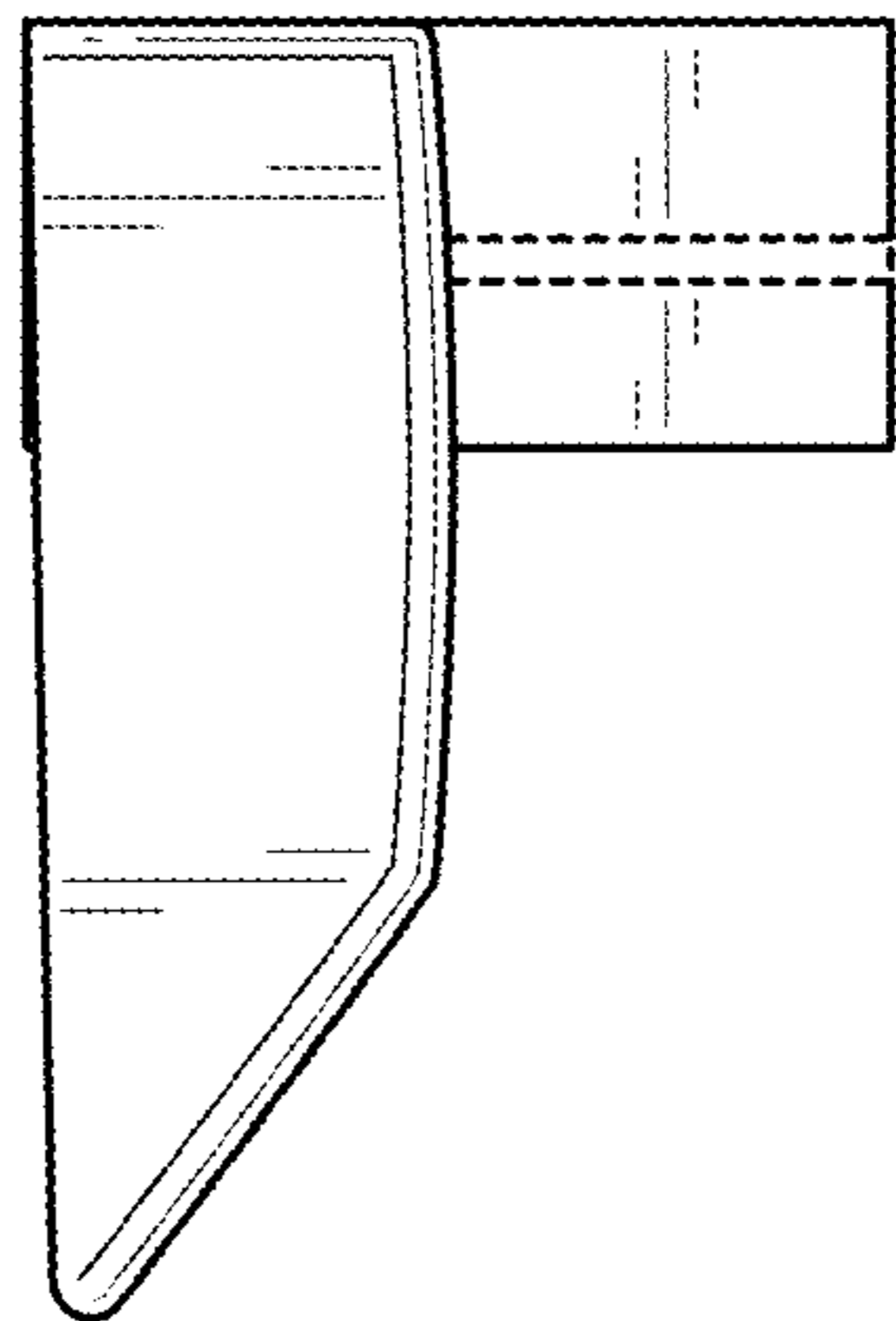


FIG. 4

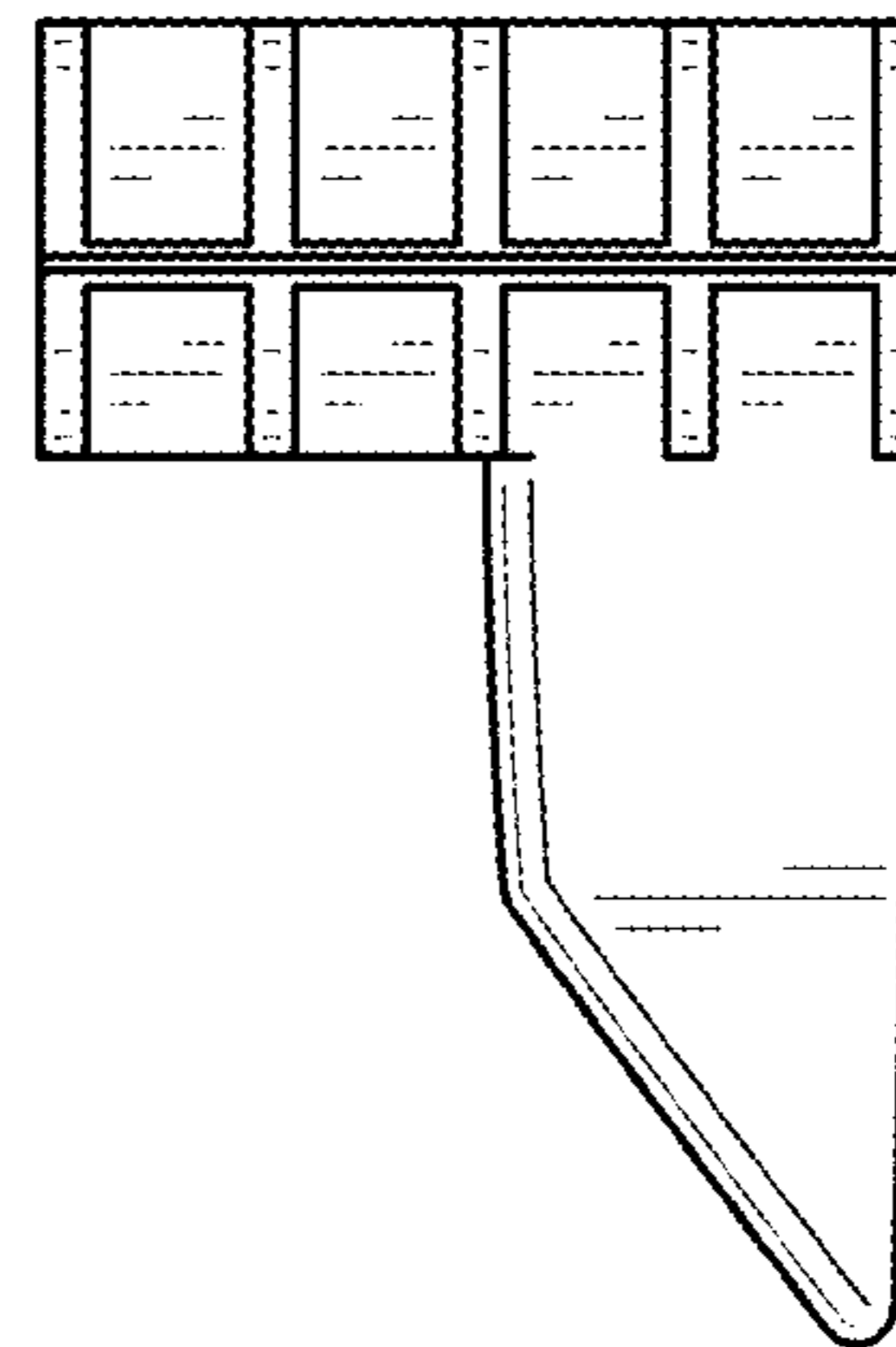


FIG. 5

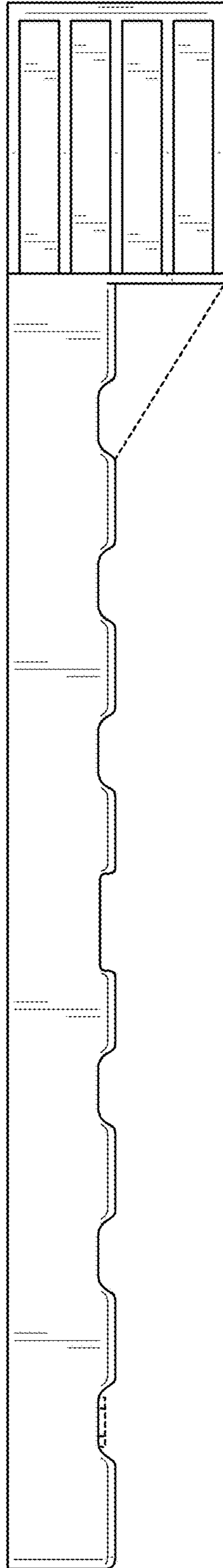


FIG. 6

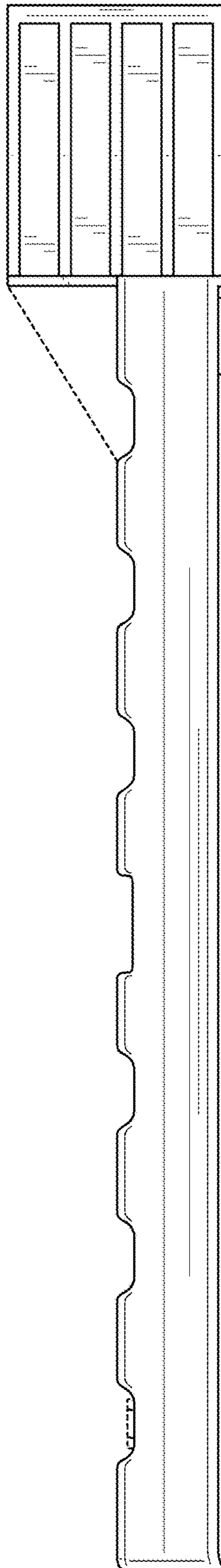


FIG. 7



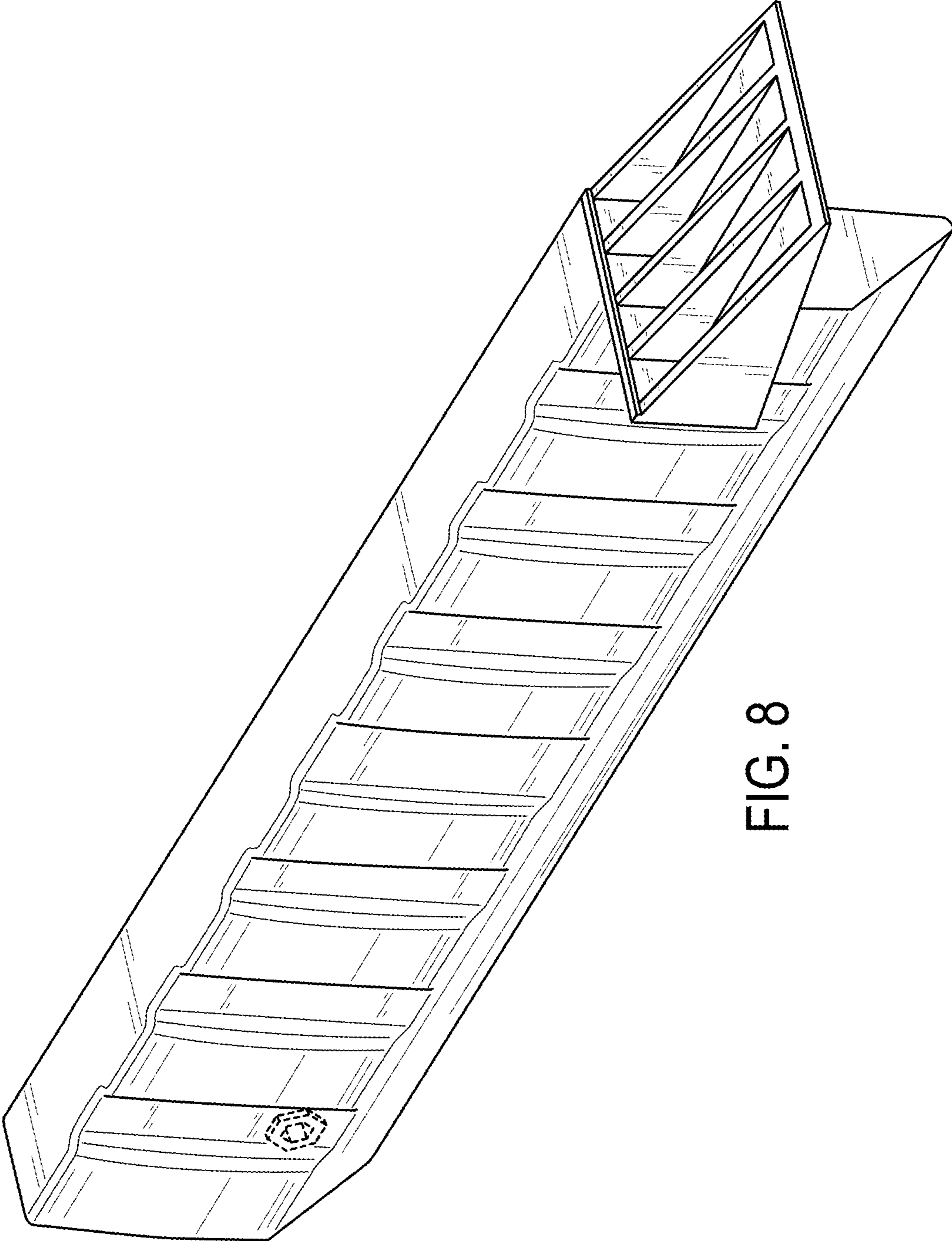


FIG. 8

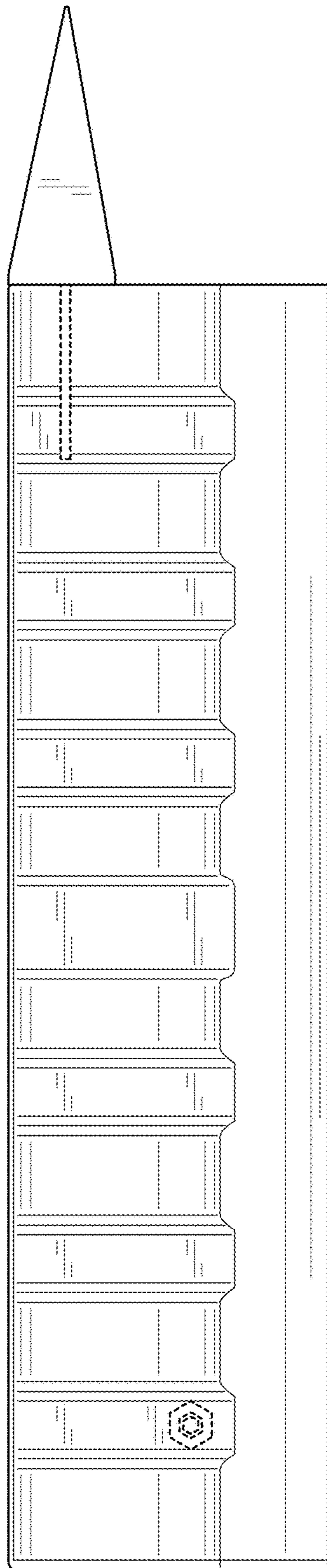


FIG. 9

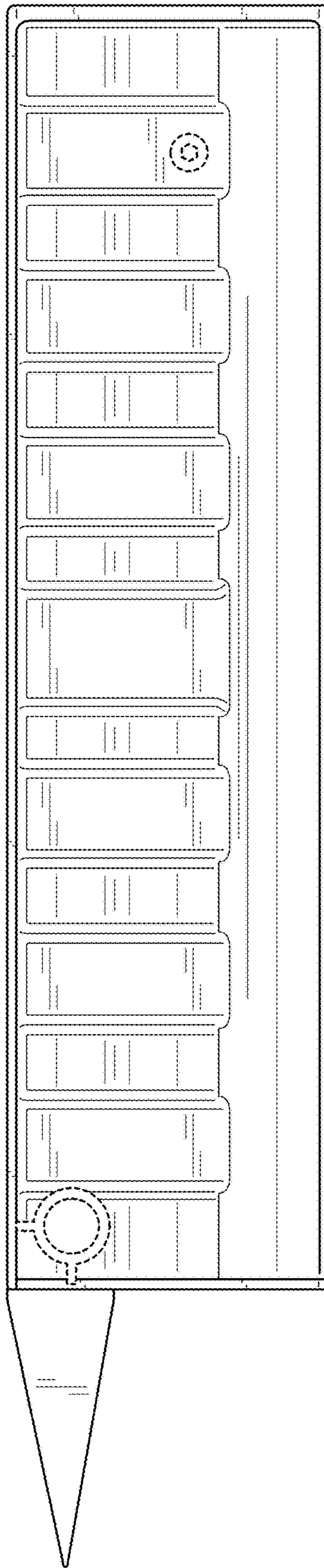


FIG. 10

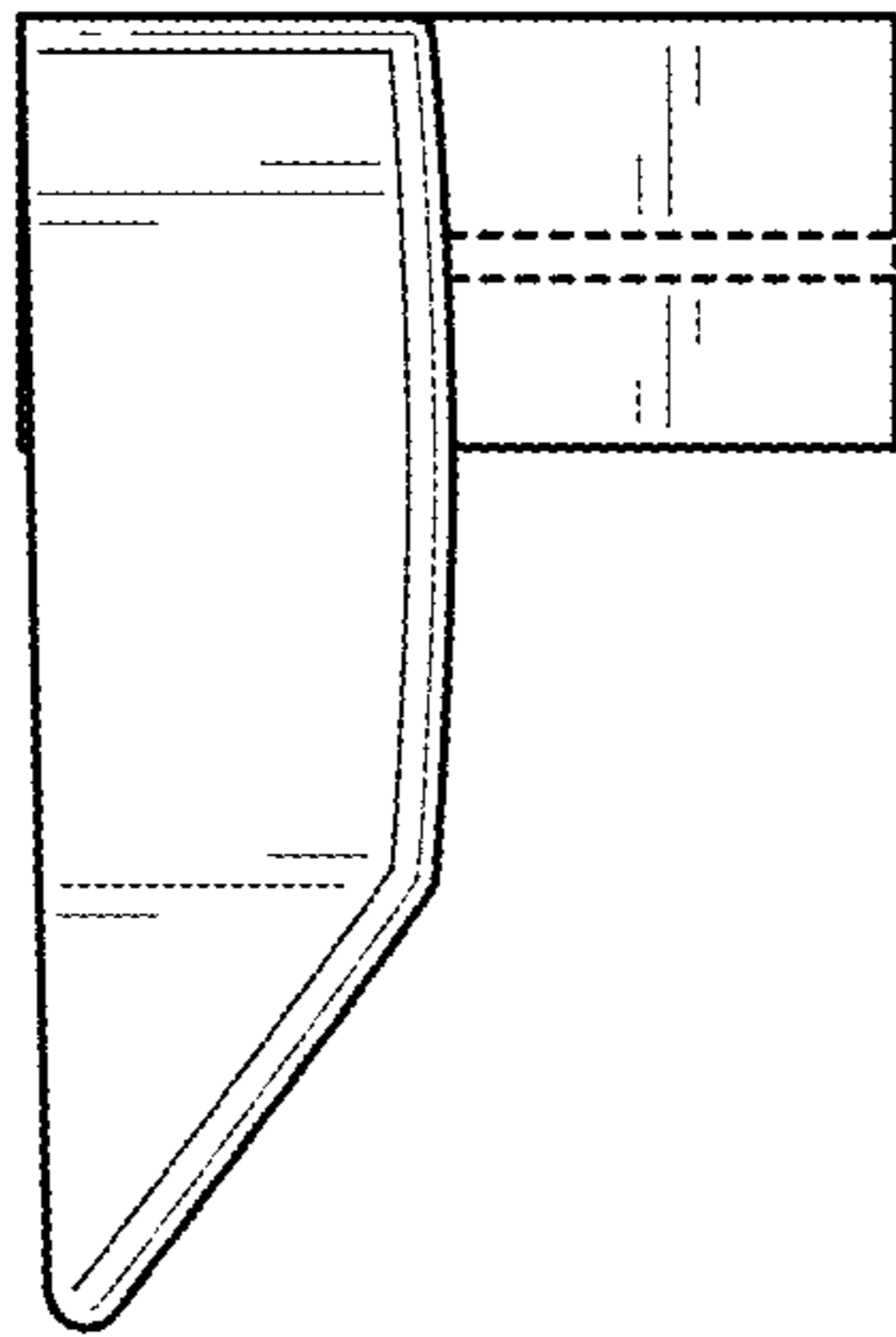


FIG. 11

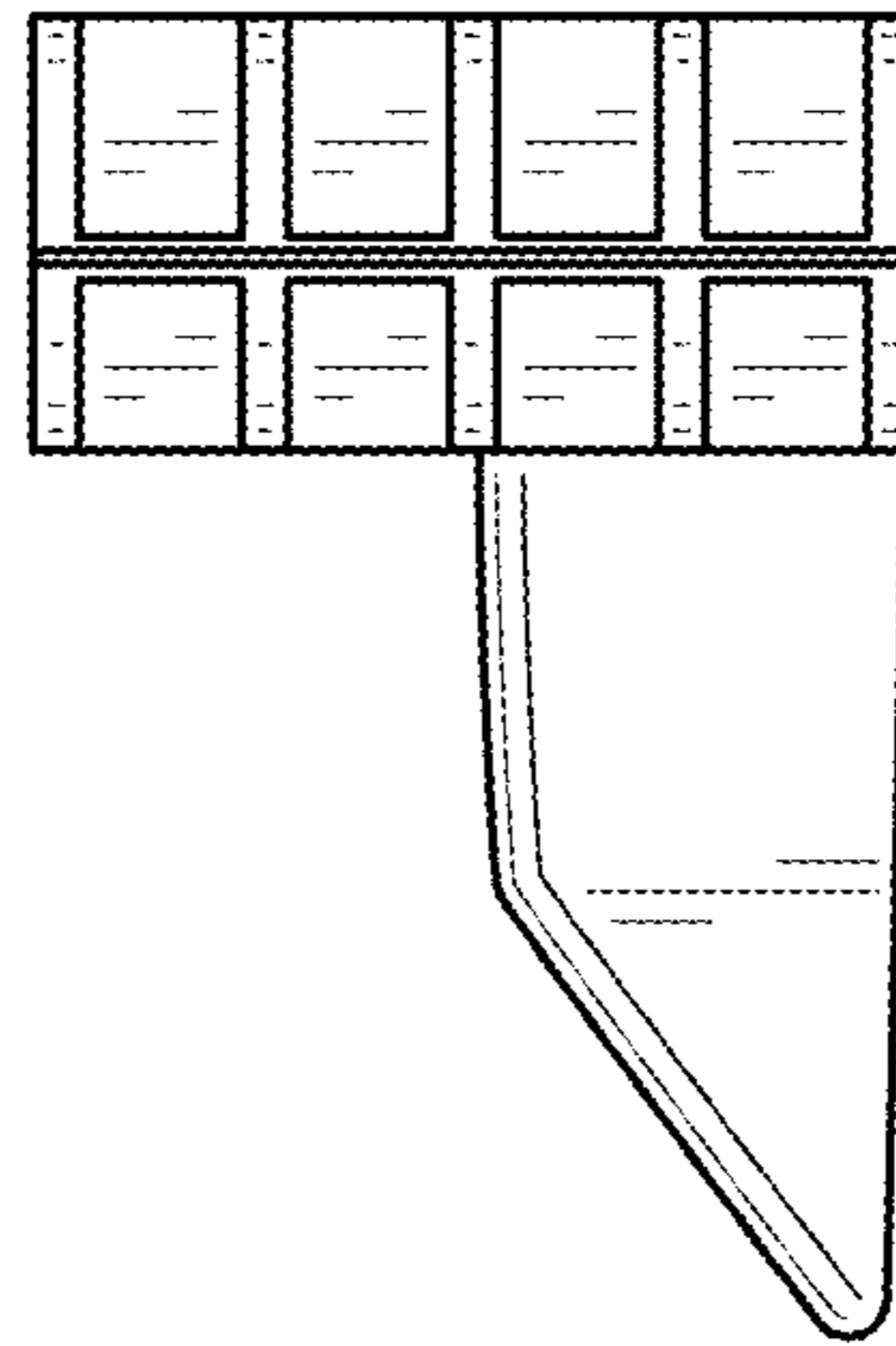


FIG. 12

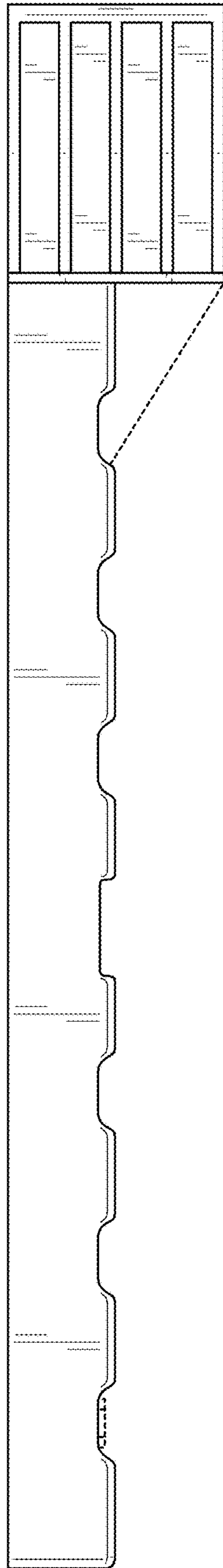


FIG. 13

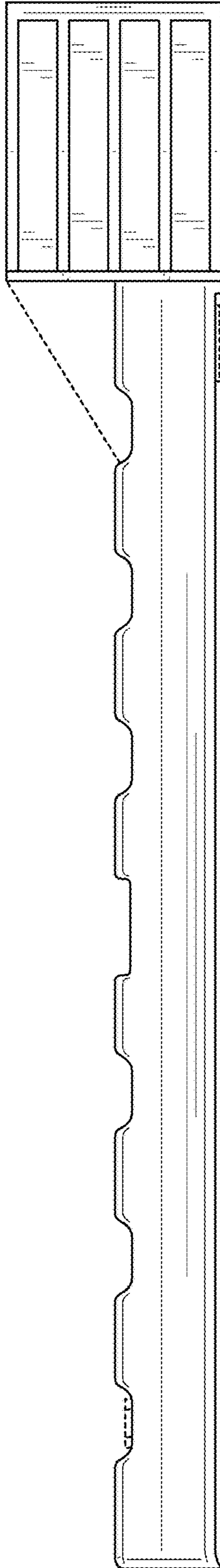


FIG. 14