



US00D782759S

(12) **United States Design Patent**
Mathiassen et al.

(10) **Patent No.:** **US D782,759 S**
(45) **Date of Patent:** **** Mar. 28, 2017**

(54) **VACUUM CLEANER HOUSING**

(71) Applicant: **Nilfisk A/S**, Broenby (DK)
(72) Inventors: **Henrik Mathiassen**, Aarhus C (DK);
Steen Klimt Johannesen, Aabubro (DK); **Thomas Elmer**, Aalborg (DK)

(73) Assignee: **Nilfisk A/S**, Broendby (DK)

(**) Term: **15 Years**

(21) Appl. No.: **29/505,657**

(22) Filed: **Dec. 23, 2015**

(51) **LOC (10) Cl.** **15-05**

(52) **U.S. Cl.**
USPC **D32/21**

(58) **Field of Classification Search**
USPC D32/21-23, 31, 34
CPC G06N 3/008; A47L 9/2857; A47L 9/2842;
A47L 9/2852; A47L 9/00; A47L 9/325;
A47L 5/36-5/367; A47L 7/0019; A47L
7/0004; A47L 11/34; A47L 11/29; A47L
11/30; E04H 4/1654

See application file for complete search history.

(56) **References Cited**

U.S. PATENT DOCUMENTS

D581,111 S * 11/2008 DiPasquale D32/21
D581,608 S * 11/2008 Dammkoehler D32/21

D667,597 S * 9/2012 Dammkoehler D32/21
D675,388 S * 1/2013 Buck D32/21
D684,737 S * 6/2013 Wolfe D32/21
D715,505 S * 10/2014 Dammkoehler D32/21
D725,328 S * 3/2015 Aglassinger D32/21
D727,578 S * 4/2015 Tilk D32/21
D743,648 S * 11/2015 Imsand D32/21
D746,523 S * 12/2015 Jin D32/21

* cited by examiner

Primary Examiner — Ruth McInroy

(74) *Attorney, Agent, or Firm* — Abelman, Frayne & Schwab

(57) **CLAIM**

The ornamental design for a vacuum cleaner housing, as shown and described.

DESCRIPTION

FIG. 1 is a top, front, left side perspective view of a vacuum cleaner housing showing our new design; FIG. 2 is a top plan view thereof; FIG. 3 is a right side elevational view thereof, the left side being a mirror image thereof; FIG. 4 is a front elevational view thereof; FIG. 5 is a rear elevational view thereof; and, FIG. 6 is a top, rear, right side perspective view thereof. The broken lines showing structural elements in the drawings are included for the purpose of illustrating an environment of use and non-claimed subject matter, and form no part of the claimed design.

1 Claim, 4 Drawing Sheets

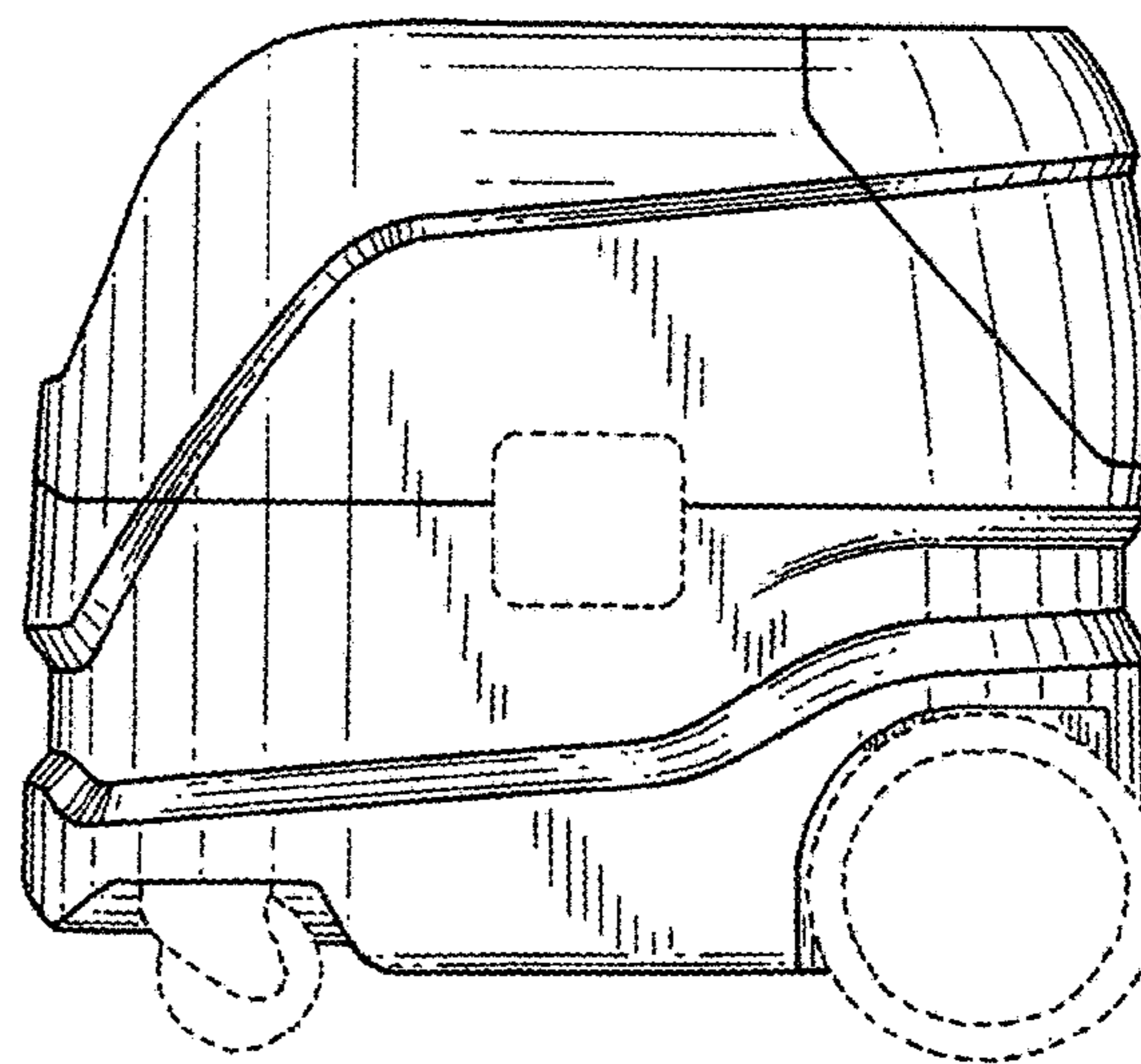
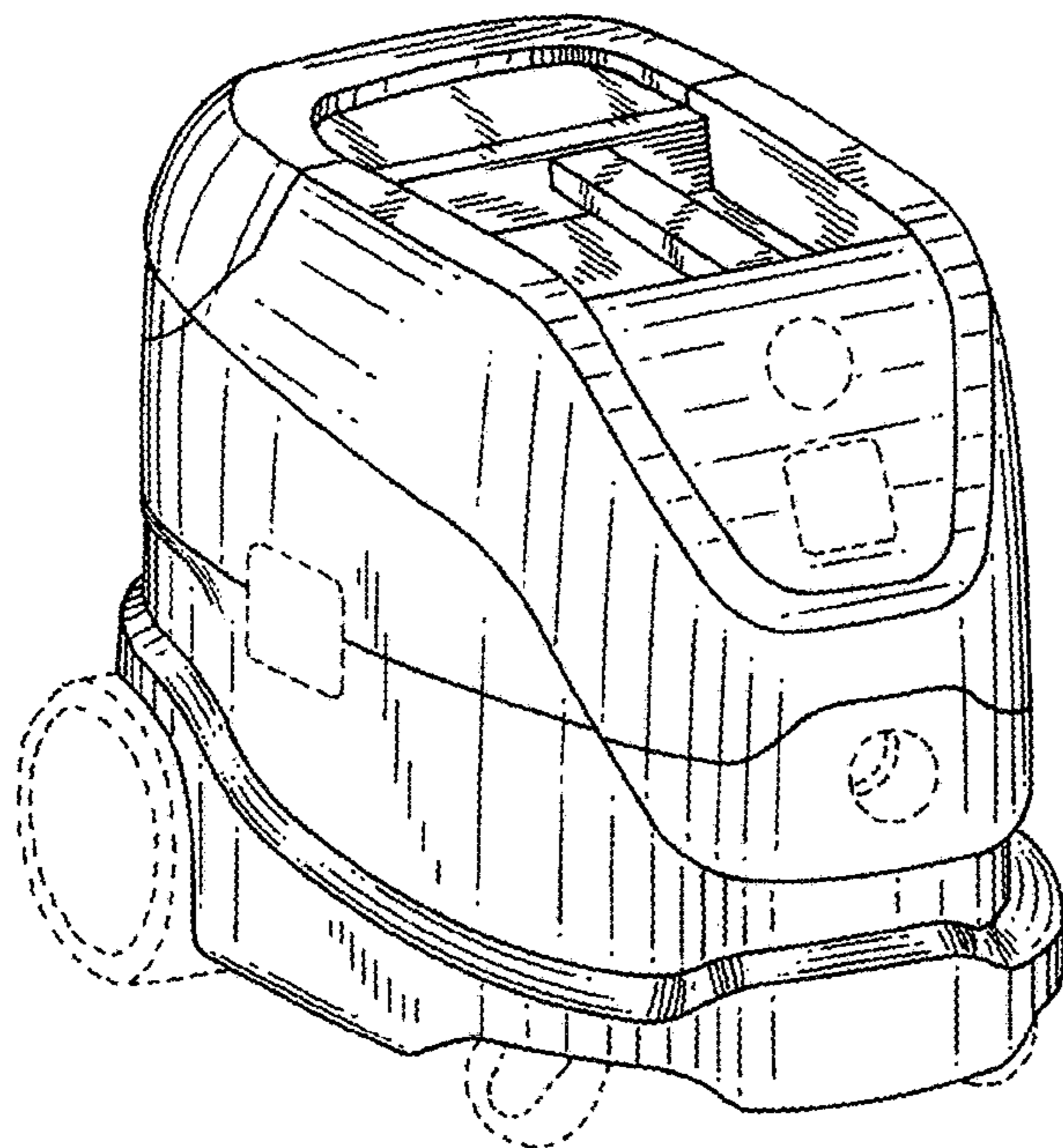


FIG. 1

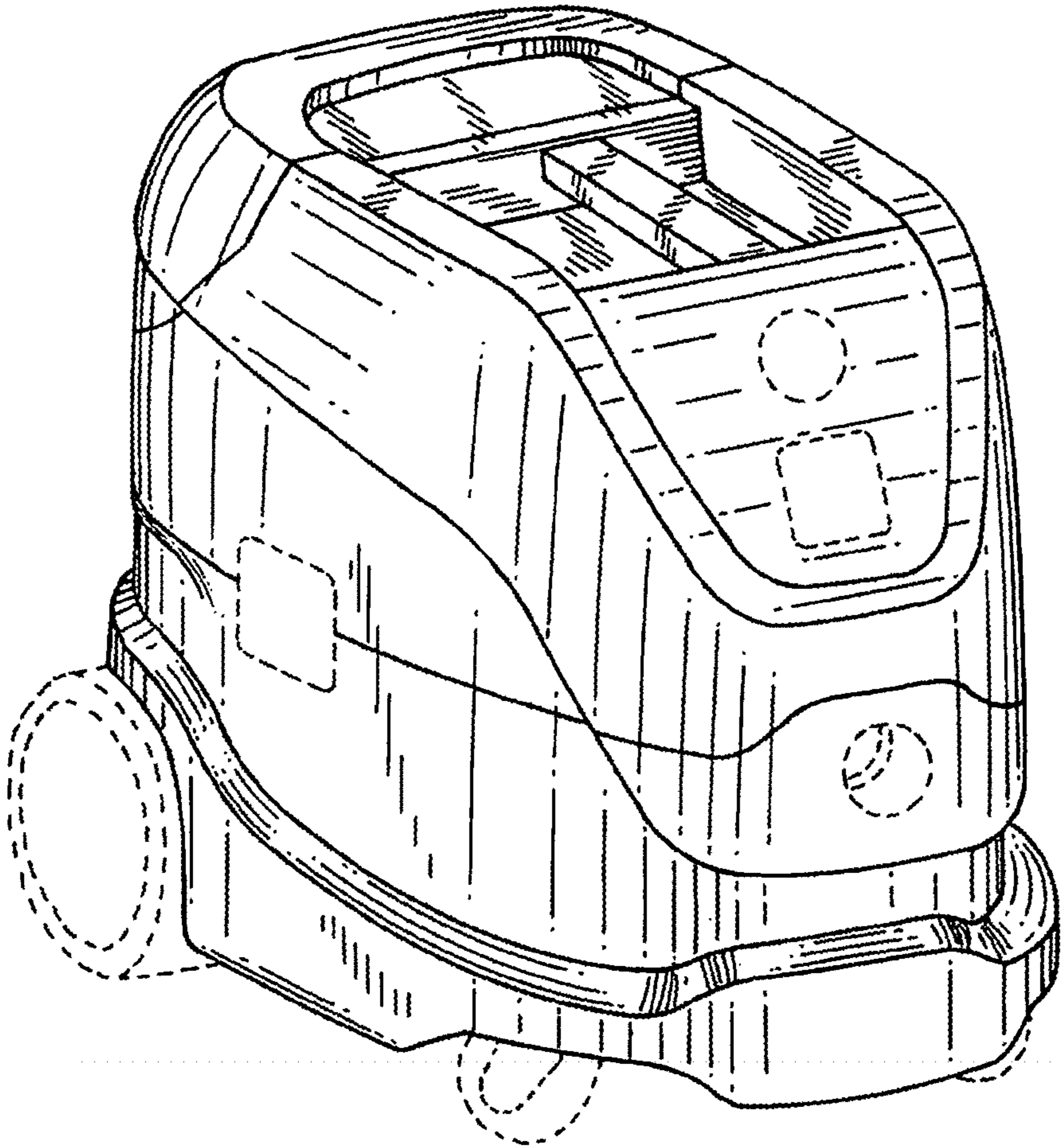


FIG. 2

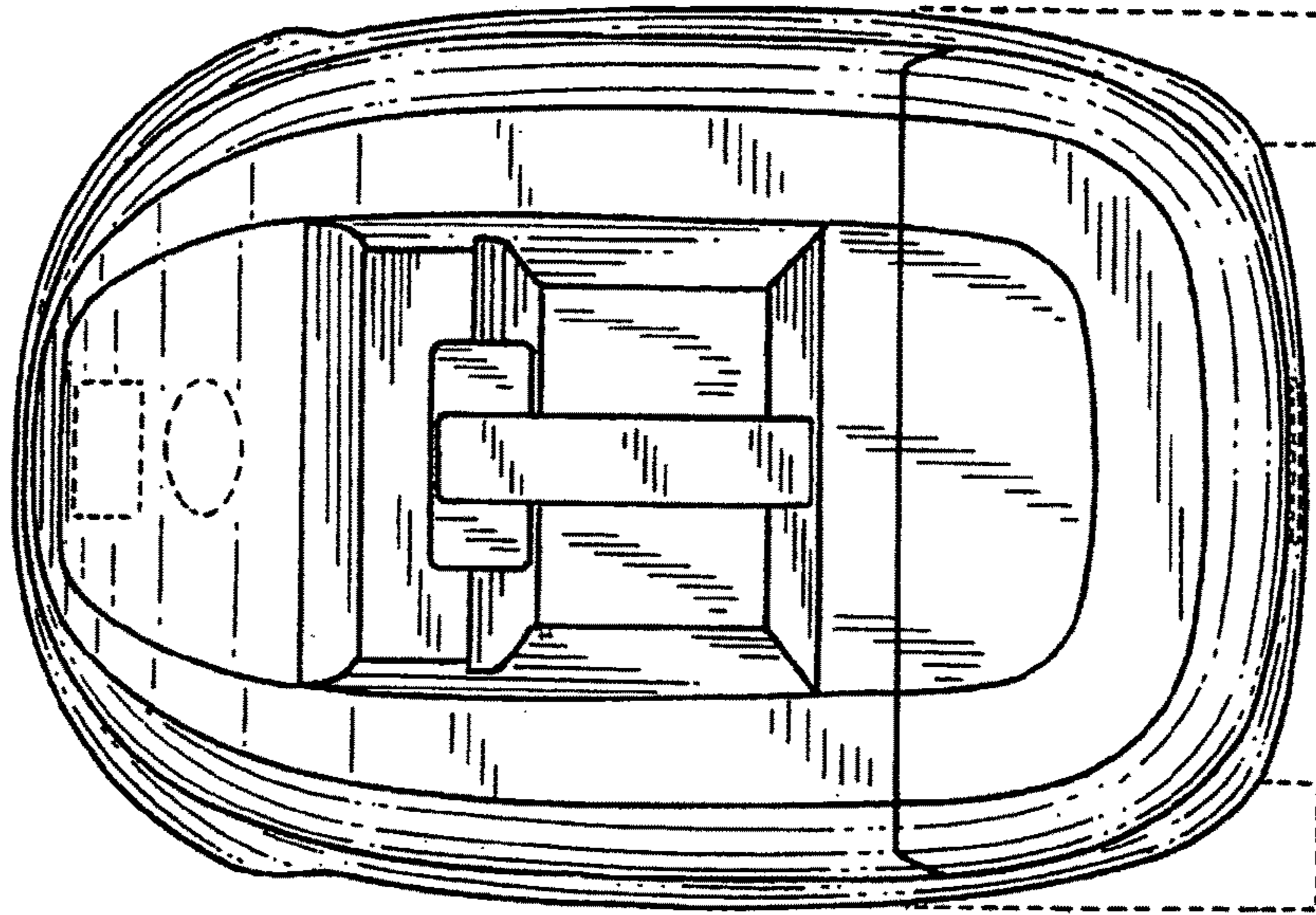


FIG. 3

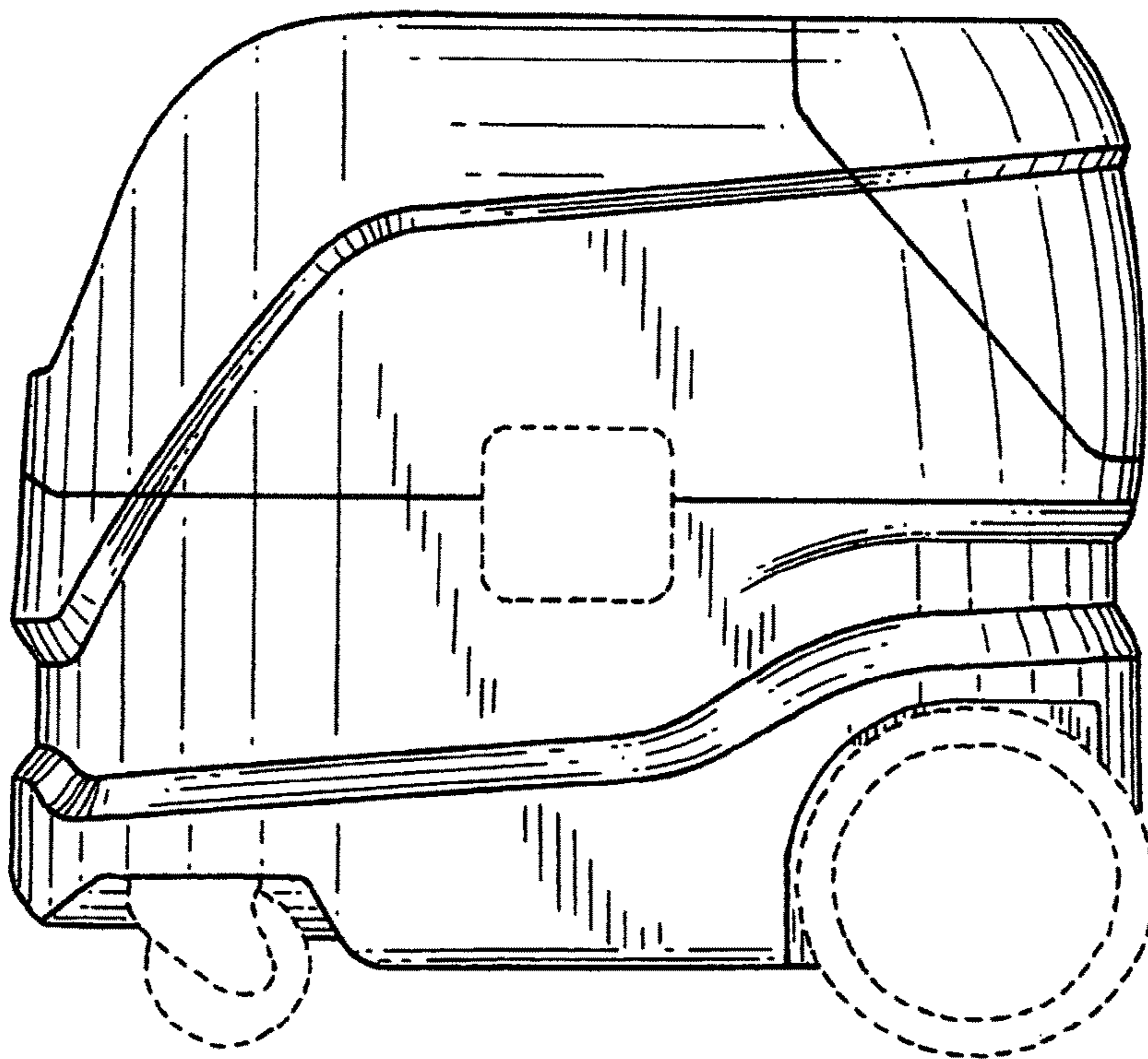


FIG. 5

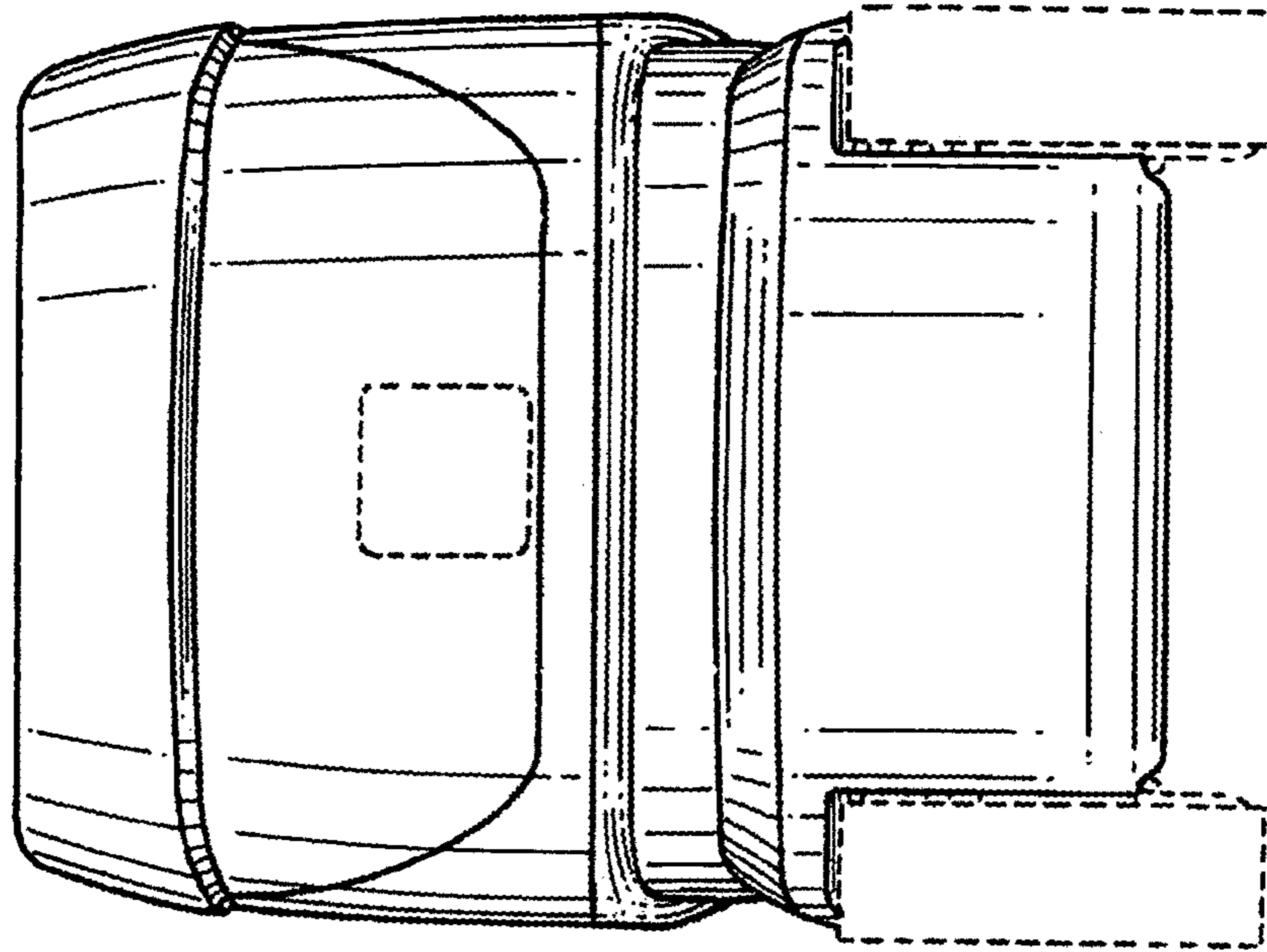
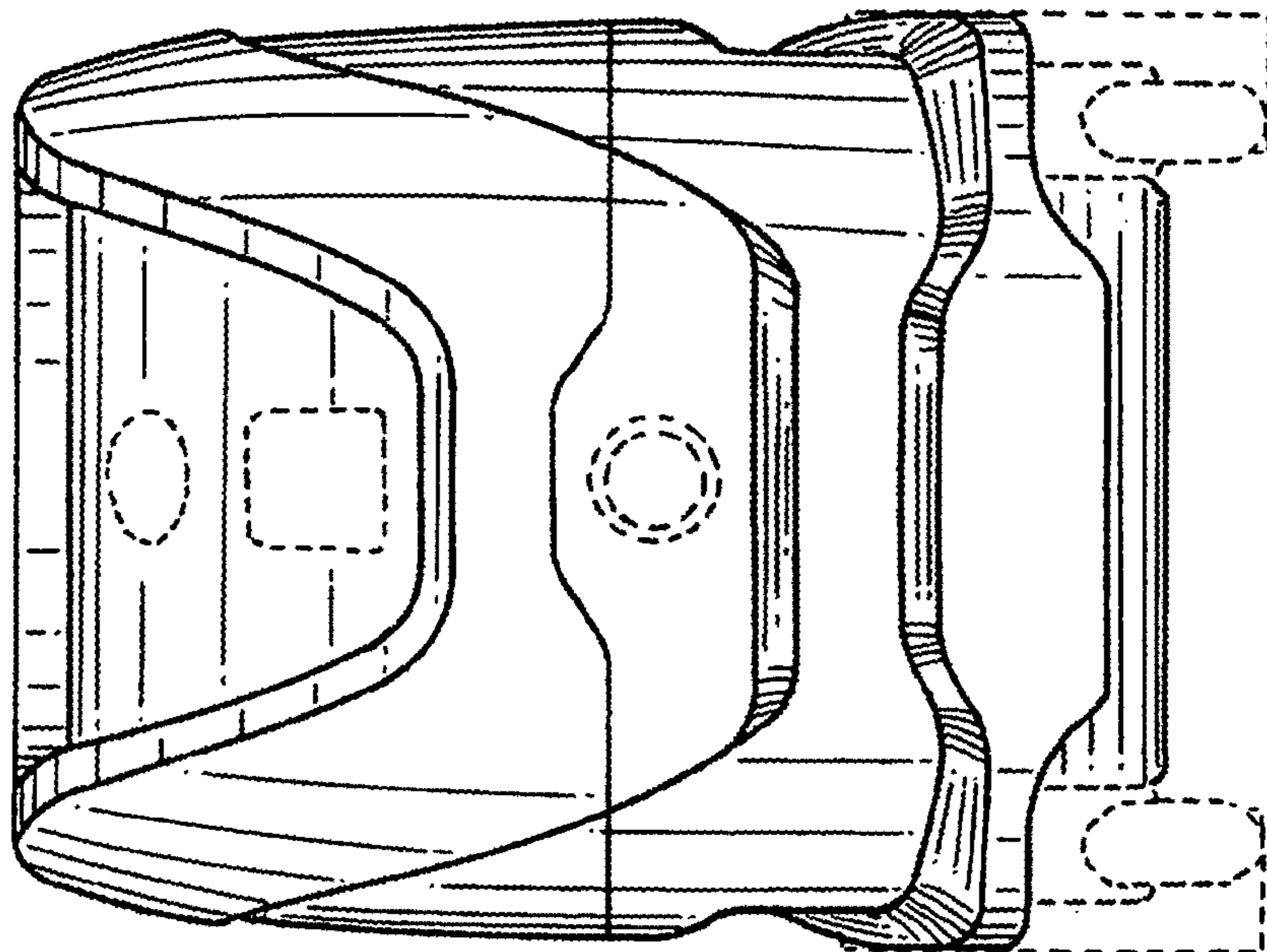


FIG. 4



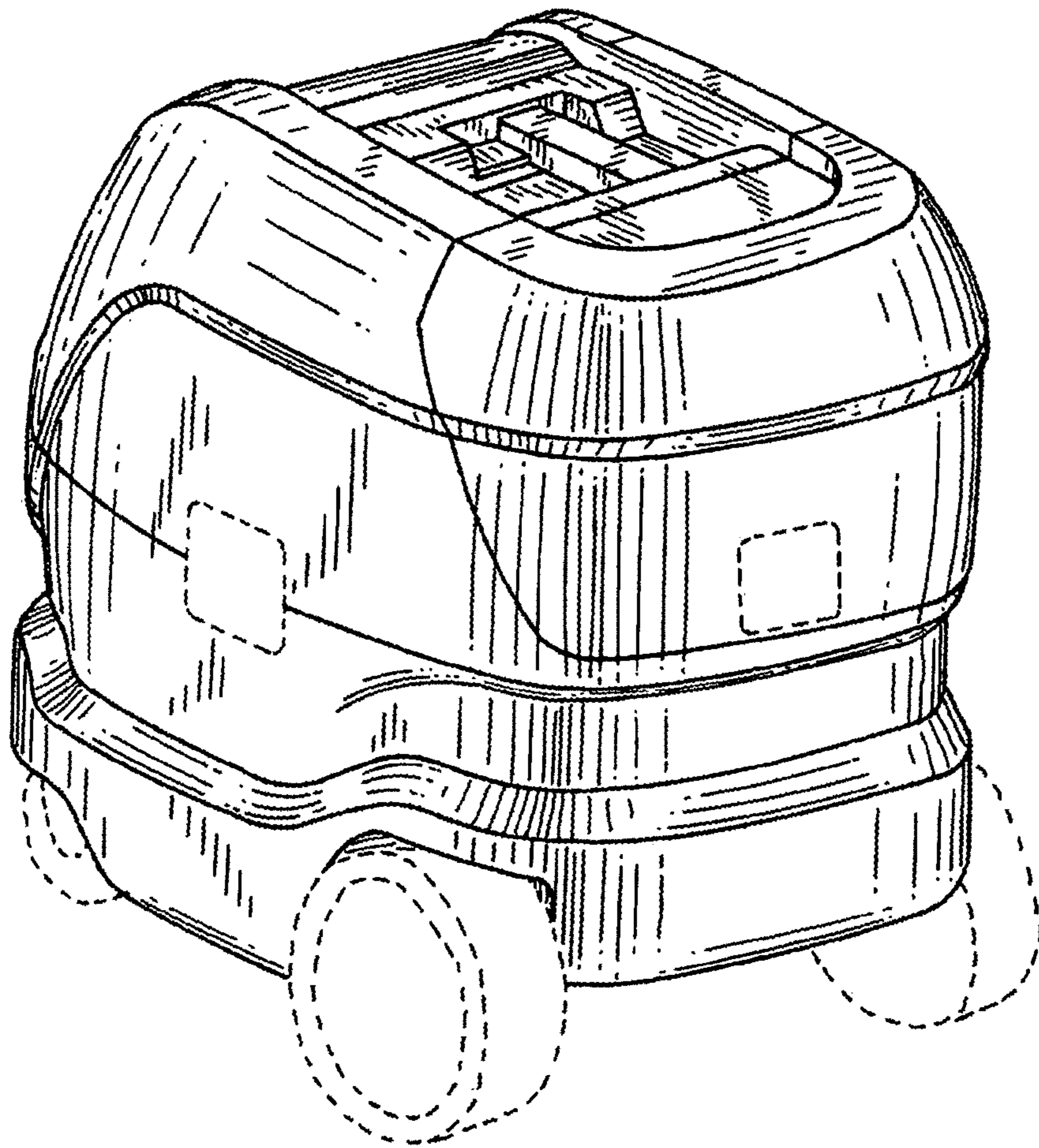


FIG. 6