



US00D782751S

(12) **United States Design Patent**
Polk

(10) **Patent No.:** **US D782,751 S**
(45) **Date of Patent:** **** Mar. 28, 2017**

(54) FLYING DISC PET TOY	7,096,826 B2 *	8/2006	Markham	A01K 15/025 119/707
(71) Applicant: William Stephen Polk , Virginia Beach, VA (US)	D548,409 S *	8/2007	Renforth	D21/444
	7,976,355 B2 *	7/2011	McAnulty	A01K 15/025 119/707
(72) Inventor: William Stephen Polk , Virginia Beach, VA (US)	D680,280 S *	4/2013	Nielsen	D30/160
	8,474,410 B2 *	7/2013	Oblack	A01K 15/025 119/709
(**) Term: 15 Years	D753,351 S *	4/2016	Anderson	D30/160
	D756,044 S *	5/2016	Anderson	D30/160

(21) Appl. No.: **29/529,173**

(22) Filed: **Jun. 4, 2015**

(51) **LOC (10) Cl.** **30-99**

(52) **U.S. Cl.**
USPC **D30/160**

(58) **Field of Classification Search**
USPC D30/160; D24/211-212; D21/405-406,
D21/662, 684, 443; 119/706
CPC .. A01K 15/024; A01K 15/025; A01K 15/026;
A01K 15/027; A01K 15/00; A01K 15/02
See application file for complete search history.

(56) **References Cited**

U.S. PATENT DOCUMENTS

4,288,942 A *	9/1981	Nicholl	A63H 33/18 446/48
4,906,007 A *	3/1990	Mitchell	A63H 33/18 473/589
D478,944 S *	8/2003	Peterson	D21/443
6,672,253 B1 *	1/2004	Viola	A01K 15/026 119/709
6,725,809 B1 *	4/2004	Olgin	A01K 15/026 119/710
D512,541 S *	12/2005	Byrne	D30/160

OTHER PUBLICATIONS

Mammoth Pet Products catalog; rec'd May 2008; p. 1; TireBiter
Flyer #31030F. Found in Design Library.*

* cited by examiner

Primary Examiner — Cathy Anne MacCormac
(74) *Attorney, Agent, or Firm* — Richard Allison

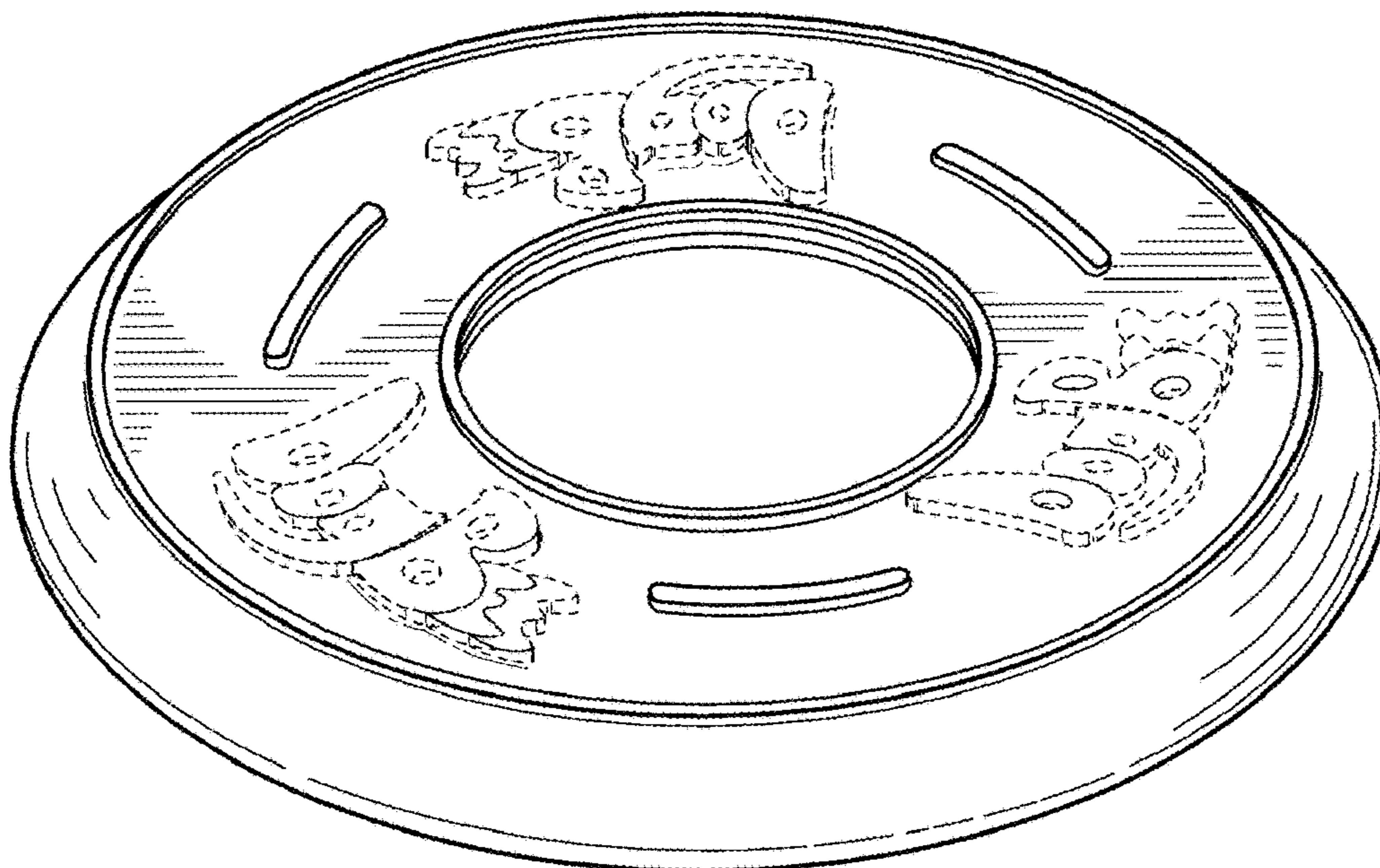
(57) **CLAIM**

The ornamental design for a flying disc pet toy, as shown and
described.

DESCRIPTION

FIG. 1 is a top view of the present invention;
FIG. 2 is a side elevational view of the present invention;
FIG. 3 is a perspective view of the present invention; and,
FIG. 4 is a bottom view of the present invention.
The broken lines depict environmental subject matter and
form no part of the claimed design.

1 Claim, 3 Drawing Sheets



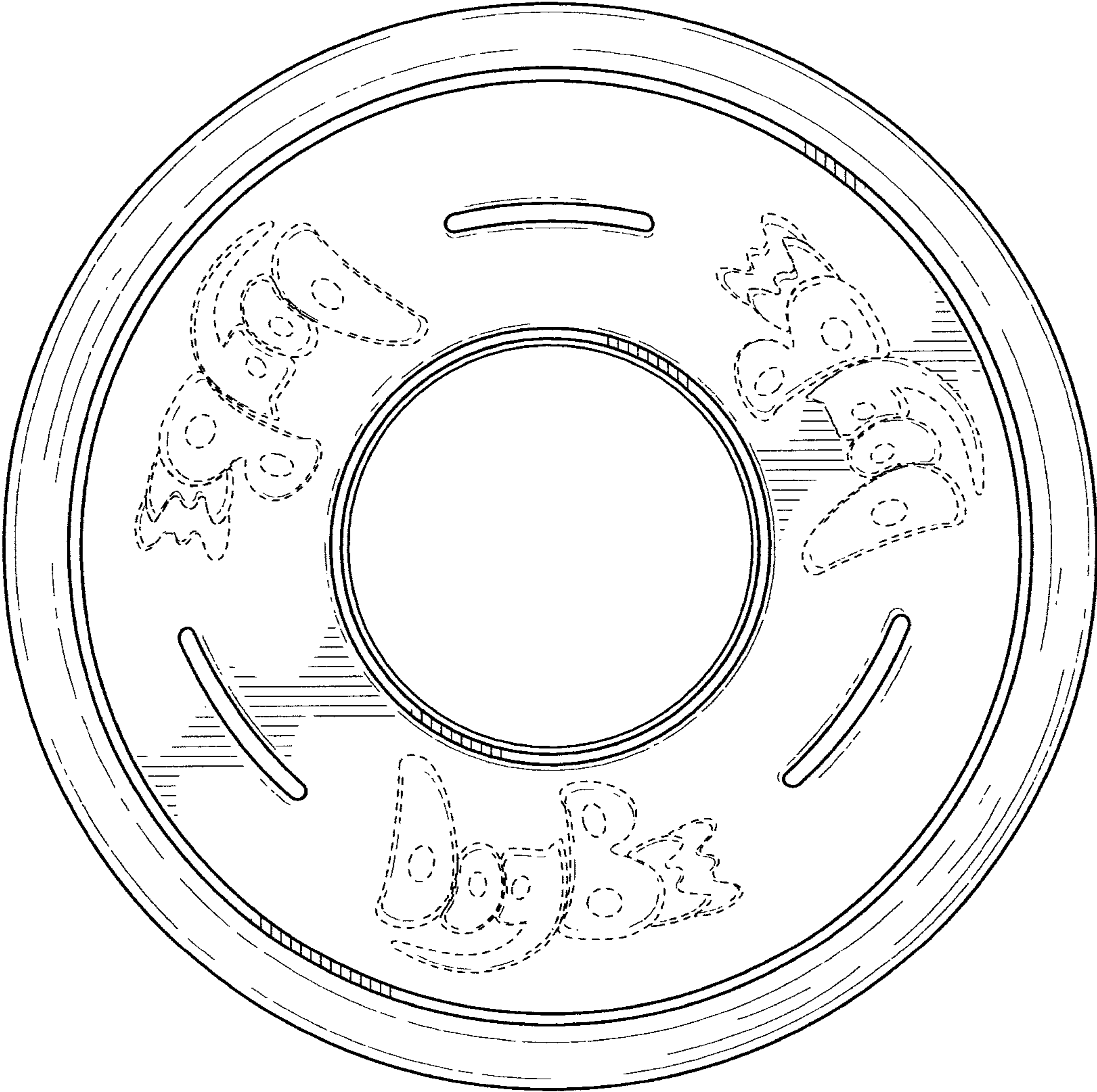


FIG. 1

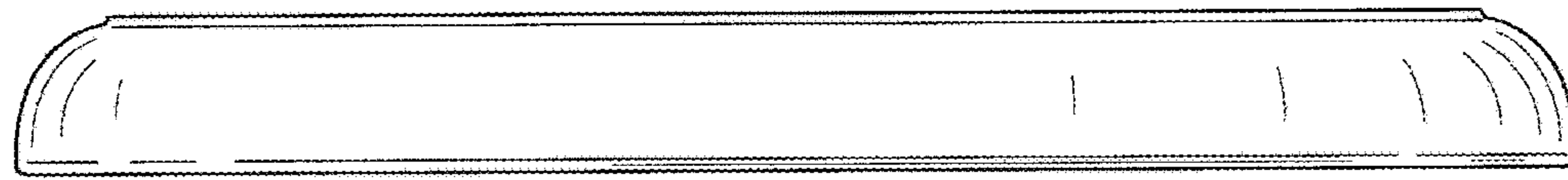


FIG. 2

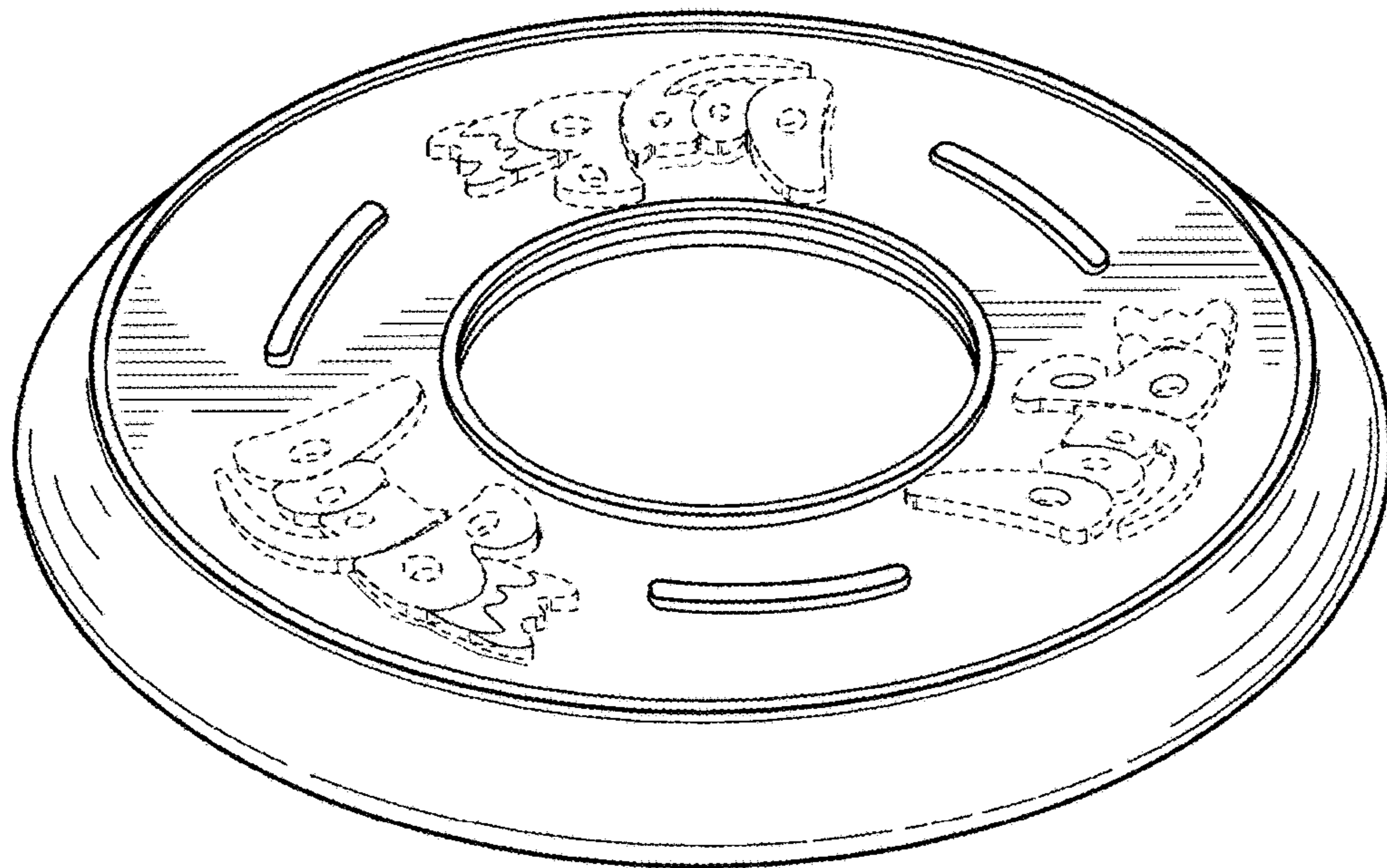


FIG. 3

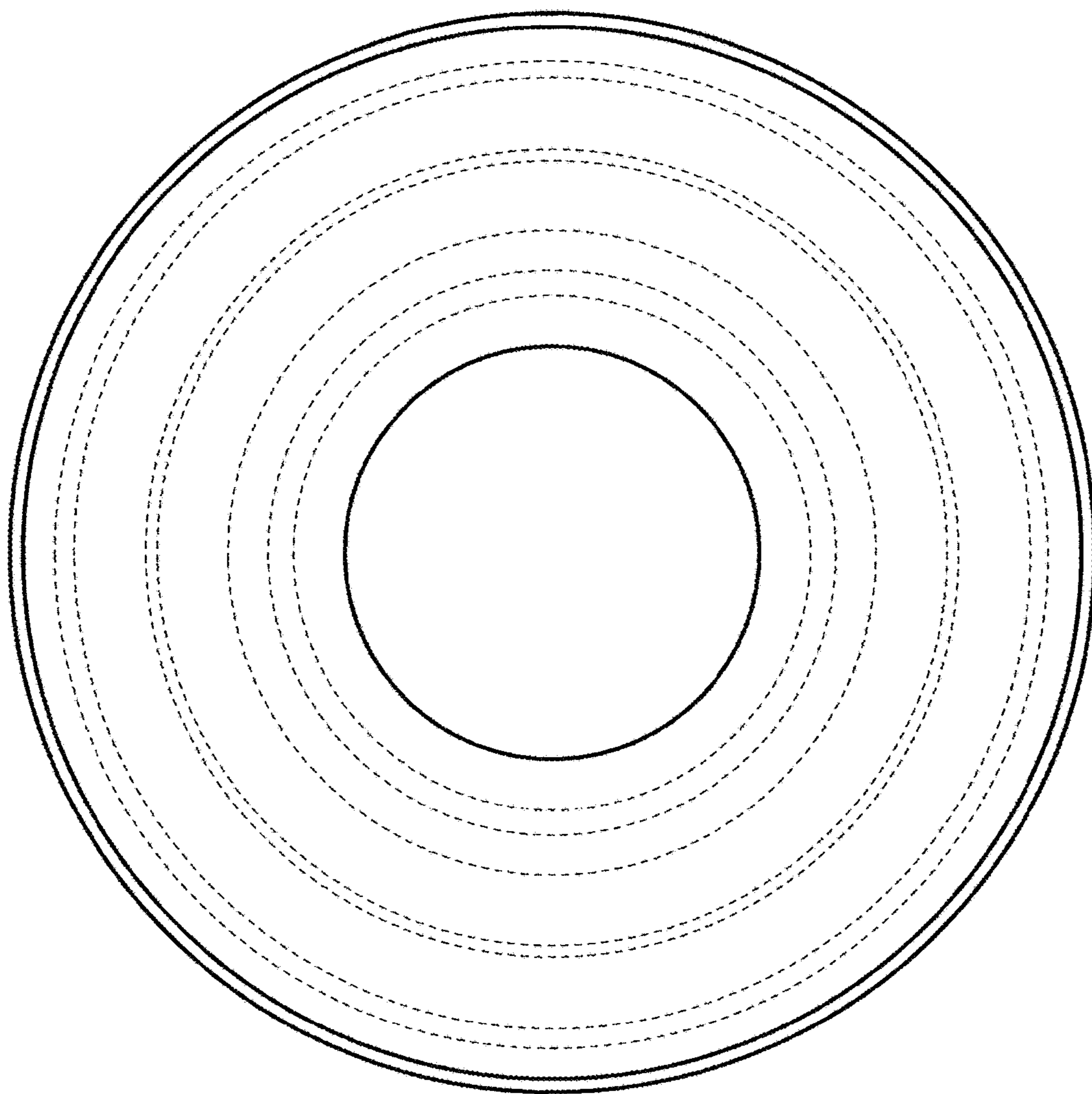


FIG. 4