



US00D782749S

(12) **United States Design Patent**  
**Michizoe**

(10) **Patent No.:** **US D782,749 S**  
(45) **Date of Patent:** **\*\* Mar. 28, 2017**

(54) **PET FEEDING DISH**

(71) Applicant: **Yuko Michizoe**, Honolulu, HI (US)

(72) Inventor: **Yuko Michizoe**, Honolulu, HI (US)

(\*\*) Term: **15 Years**

(21) Appl. No.: **29/555,467**

(22) Filed: **Feb. 22, 2016**

(51) **LOC (10) Cl.** ..... **30-03**

(52) **U.S. Cl.**  
USPC ..... **D30/129**

(58) **Field of Classification Search**

USPC .... D30/121, 122, 129-133; 119/61.5, 51.01,  
119/61.56, 51.03, 59, 62, 63, 51.5, 57.8,  
119/74, 61.54, 61.55; 312/204; 248/151,  
248/188; 108/156, 153.1-157;  
220/23.87, 630, 737, 743, 9.4, 495.01,  
220/574, 212, 255, 23.83; 206/515;  
D7/586, 543, 550.1, 587, 505, 584, 545,  
D7/500, 553.1-553.8, 546, 555, 556, 504,  
D7/565, 562, 602; D9/429; 43/109;  
D22/122; 99/430, DIG. 15  
CPC ..... A01K 5/0114; A01K 5/01; A01K 5/0135;  
A01K 7/005; A01K 7/00; A01K 7/02;  
A01K 5/0142; A01K 5/0121; A01K  
5/0128; A01K 27/004; A01K 39/014;  
A01K 39/00; A01K 39/02; A01K  
39/0113; A47J 43/0727; A01M 29/34;  
B29C 65/48; B65D 81/36

See application file for complete search history.

(56) **References Cited**

**U.S. PATENT DOCUMENTS**

472,316 A \* 4/1892 Smith ..... A01K 5/01  
119/61.1  
766,427 A \* 8/1904 Crowell ..... A47G 19/02  
220/575

D174,819 S \* 5/1955 Kritchever ..... D27/104  
D180,012 S \* 4/1957 Buechler ..... D7/505  
2,810,672 A \* 10/1957 Taylor ..... B60N 3/044  
296/97.23  
D242,052 S \* 10/1976 Van Ness ..... D30/129  
4,351,444 A \* 9/1982 Majewski ..... A47G 19/30  
220/23.83  
D279,445 S \* 7/1985 Jagger ..... D7/558  
D296,746 S \* 7/1988 Wiinblad ..... D7/587  
4,836,401 A \* 6/1989 Ingemann ..... B65D 81/22  
220/359.4  
5,341,953 A \* 8/1994 Forester ..... A47G 19/02  
220/575  
D390,419 S \* 2/1998 Perlmutter ..... D7/549  
(Continued)

*Primary Examiner* — Susan Moon Lee

(74) *Attorney, Agent, or Firm* — Martin E. Hsia; Keri  
Ann K. S. Krzykowski

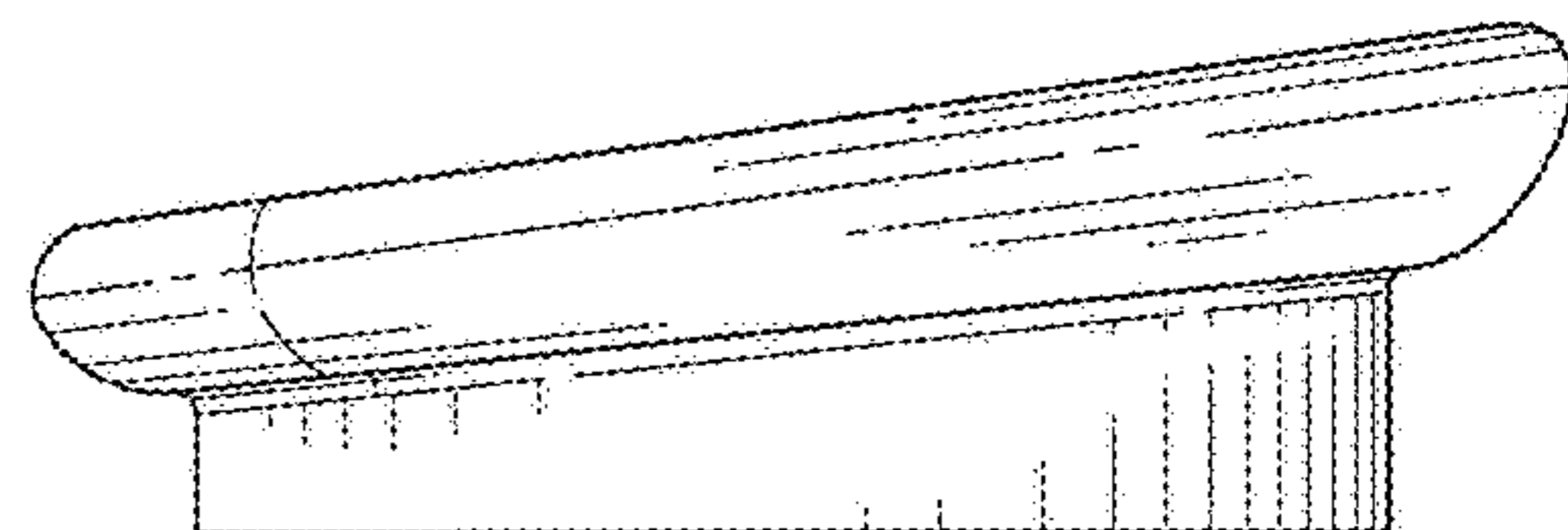
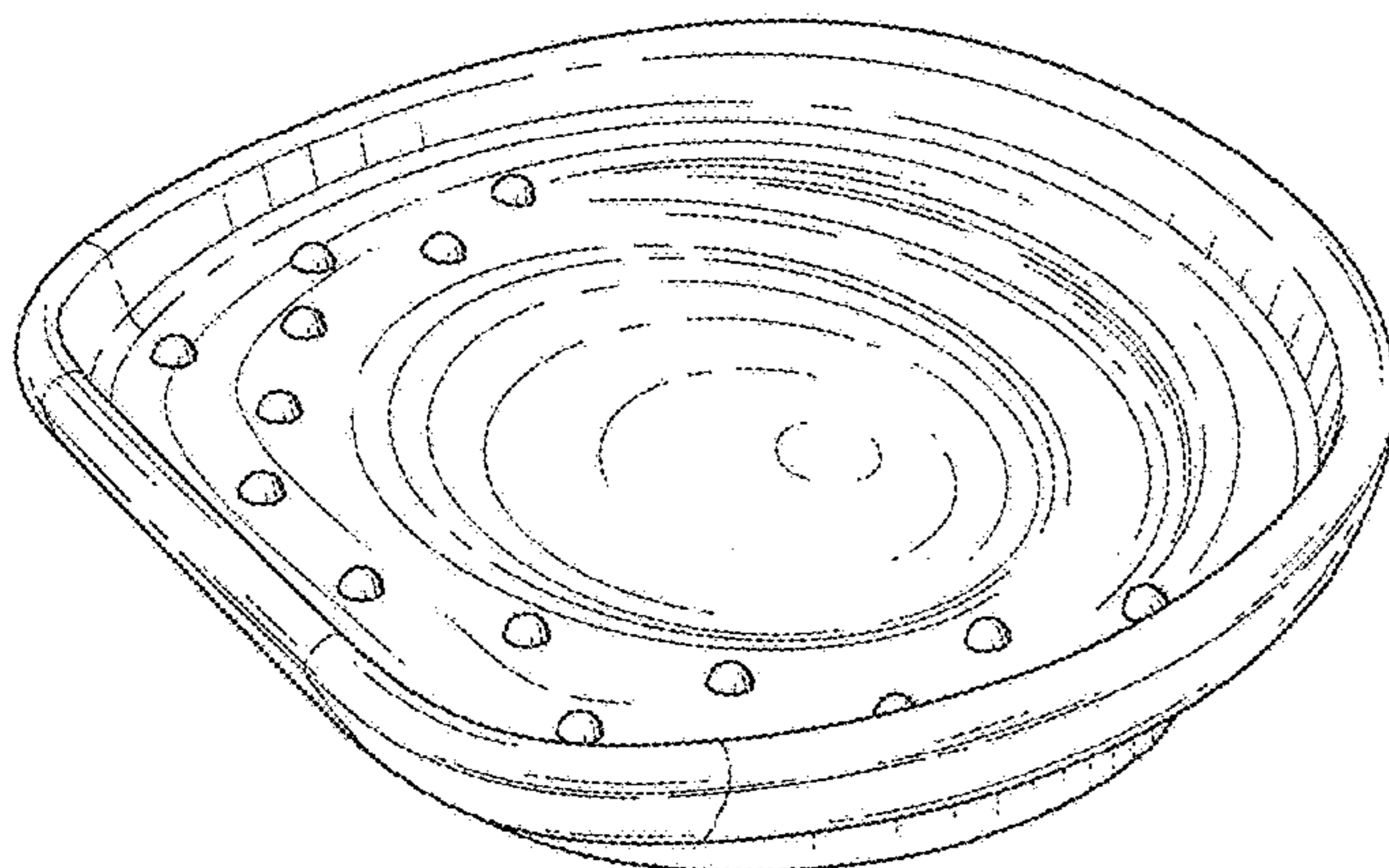
(57) **CLAIM**

The ornamental design for a pet feeding dish, as shown and  
described.

**DESCRIPTION**

FIG. 1 is a perspective view of the presently preferred  
embodiment of the pet feeding dish of our new design from  
the front right;  
FIG. 2 is an elevational view thereof from the front;  
FIG. 3 is an elevational view thereof from the rear;  
FIG. 4 is a top plan view thereof;  
FIG. 5 is a bottom plan view thereof;  
FIG. 6 is an elevational view thereof from the left; and,  
FIG. 7 is an elevational view thereof from the right.  
Broken lines and unshaded areas contained within broken  
lines depict elements of the pet feeding dish that form no  
part of the claimed design.

**1 Claim, 4 Drawing Sheets**



(56)

References Cited

U.S. PATENT DOCUMENTS

D409,448	S *	5/1999	Hudson, Jr. ....	D7/543
D415,933	S *	11/1999	Cornelissen .....	D7/354
D470,009	S *	2/2003	Turchi .....	D7/392.1
D473,758	S *	4/2003	Wilson .....	D7/587
D516,424	S *	3/2006	Schweigert .....	D9/447
D526,850	S *	8/2006	Sellers .....	D7/545
7,156,250	B2 *	1/2007	Tillmann .....	A47D 13/02 220/9.2
D553,305	S *	10/2007	Willinger .....	D30/133
D563,608	S *	3/2008	Kitchen .....	A01K 5/0135 D30/129
D587,063	S *	2/2009	Solis .....	D7/361
D607,616	S *	1/2010	Newsome .....	D30/129
D666,490	S *	9/2012	Leon .....	D9/447
D676,710	S *	2/2013	Kwok .....	D7/544
D679,548	S *	4/2013	Chen .....	D7/545
D706,995	S *	6/2014	Modi .....	D30/129
D727,576	S *	4/2015	Avalos Sartorio .....	D30/121
D735,035	S *	7/2015	Lane .....	D9/447
D755,628	S *	5/2016	Matsui .....	D9/447
2005/0235919	A1 *	10/2005	Willinger .....	A01K 5/0135 119/61.5
2014/0010629	A1 *	1/2014	Abraham .....	A47L 15/501 414/802
2015/0068461	A1 *	3/2015	Lindskov .....	A01K 5/0114 119/51.01

\* cited by examiner

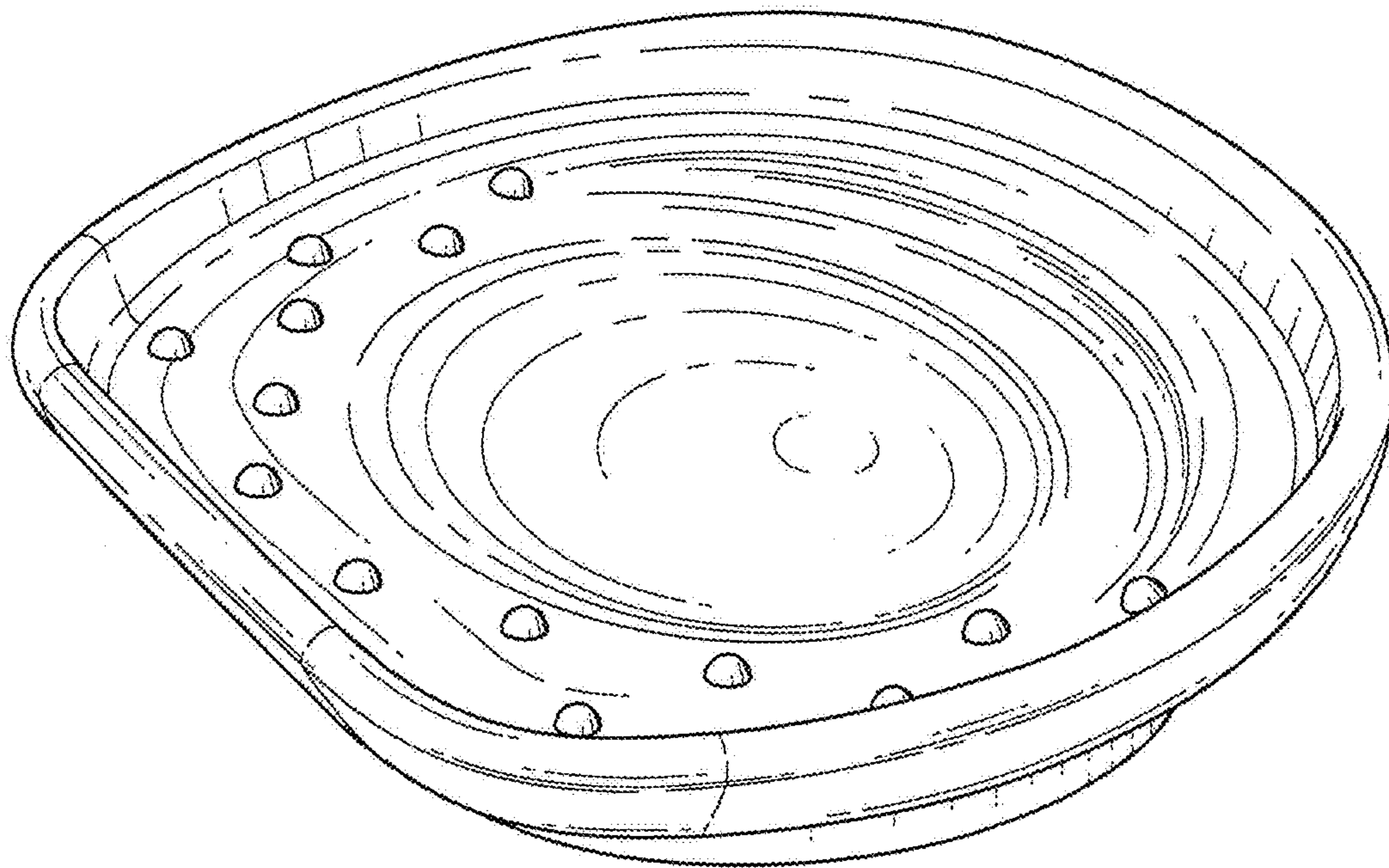


FIG. 1

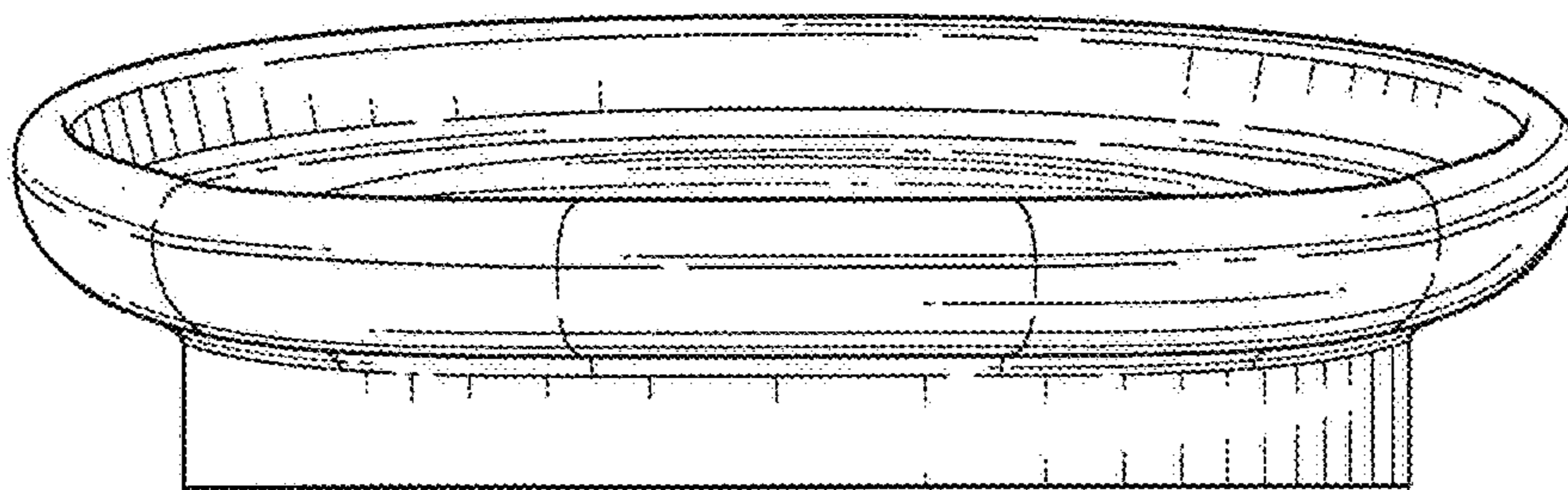


FIG. 2

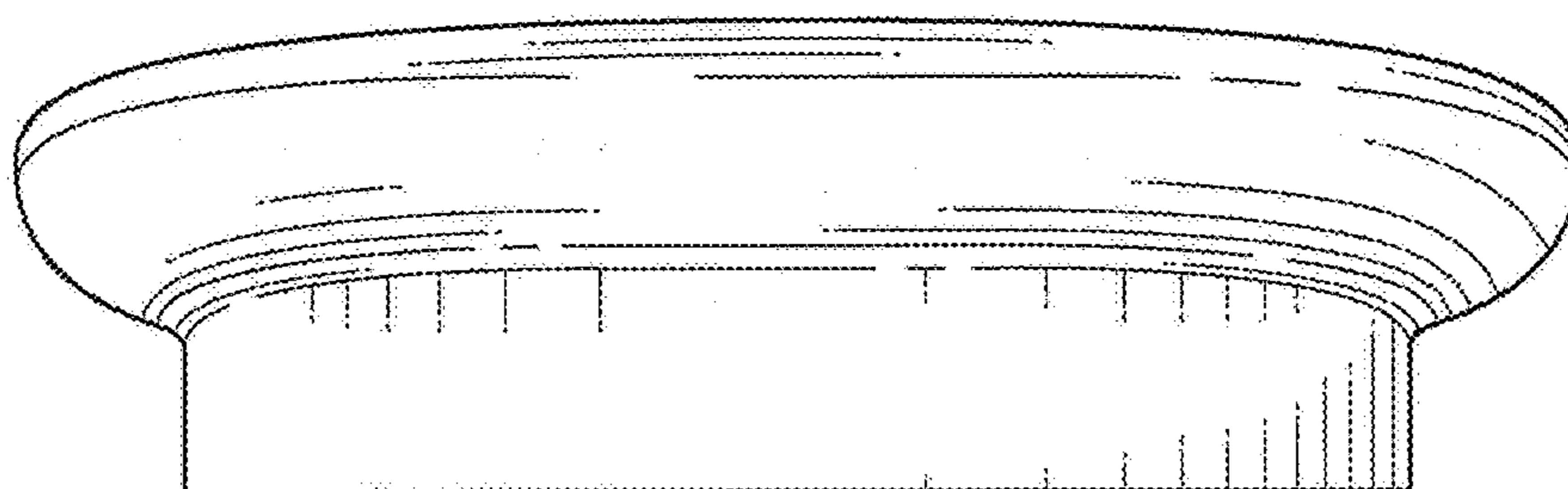


FIG. 3

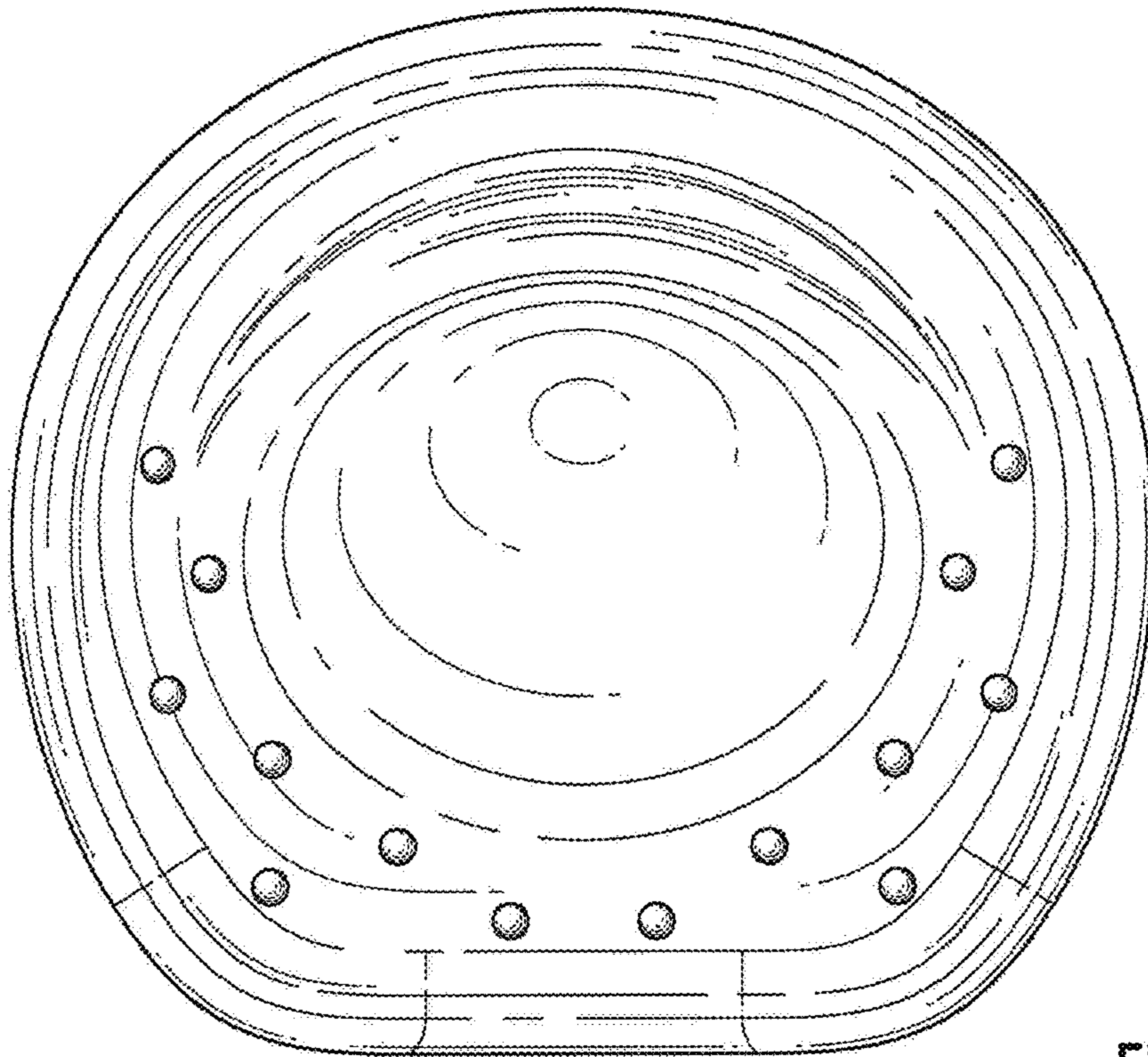


FIG. 4

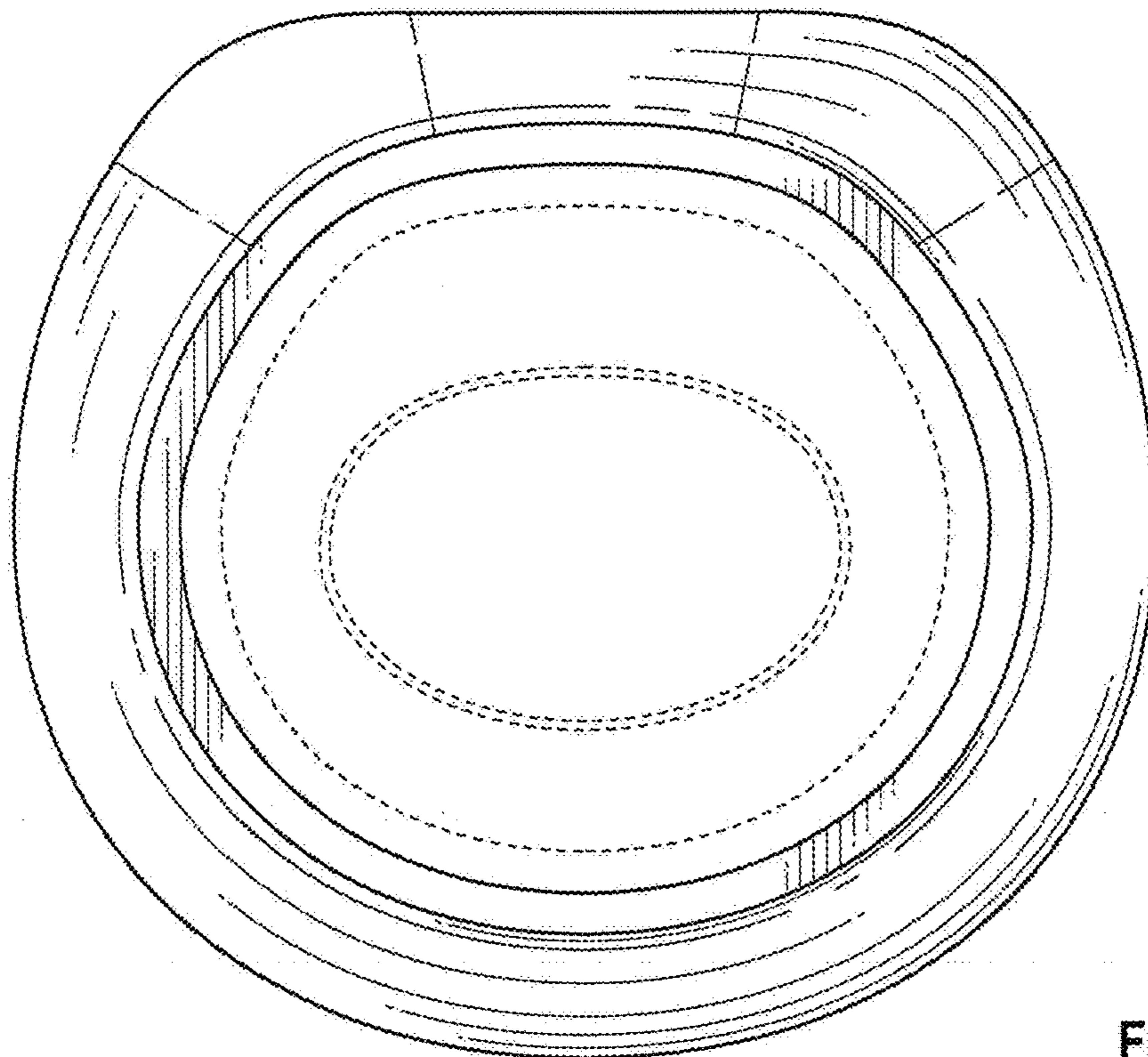


FIG. 5

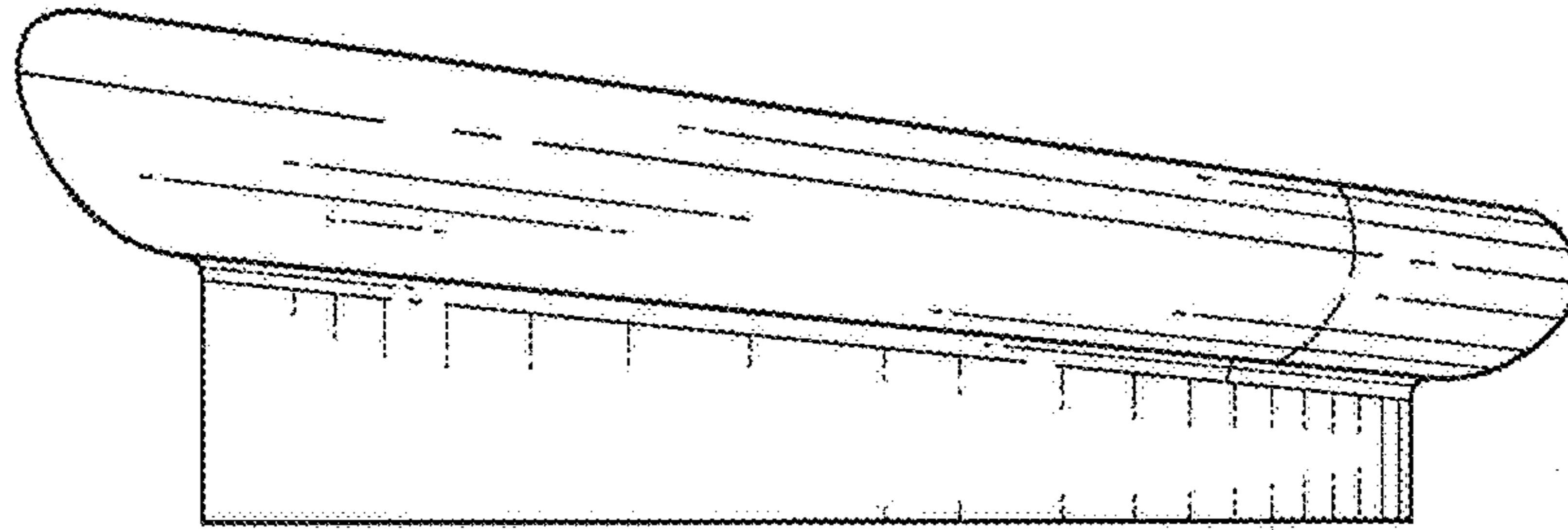


FIG. 6

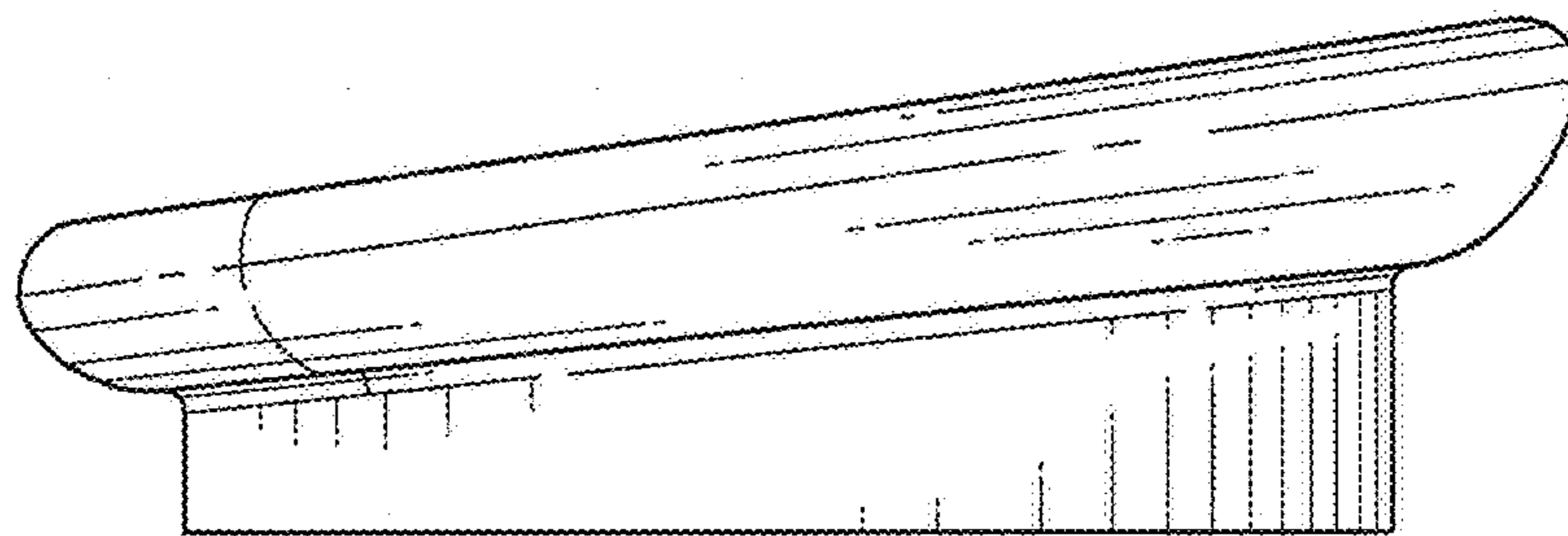


FIG. 7