



US00D782743S

(12) **United States Design Patent**  
**Engel et al.**

(10) **Patent No.:** **US D782,743 S**  
(45) **Date of Patent:** **\*\* Mar. 28, 2017**

(54) **MOUTHGUARD**

(71) Applicant: **AWEJAW Performance Inc.**, Bend, OR (US)

(72) Inventors: **Andrew W. Engel**, Bend, OR (US);  
**Theodore Bertele**, Bend, OR (US);  
**Christopher A. Rycewicz**, Bend, OR (US);  
**Scott Schorer**, Bend, OR (US)

(\*\*) Term: **15 Years**

(21) Appl. No.: **29/552,671**

(22) Filed: **Jan. 25, 2016**

(51) **LOC (10) Cl.** ..... **29-02**

(52) **U.S. Cl.**  
USPC ..... **D29/108**

(58) **Field of Classification Search**  
USPC ..... D29/100, 105, 106, 108, 122; D24/108,  
D24/109, 110, 110.5, 156, 176, 181  
CPC . A61F 5/566; A61F 5/58; A63B 71/08; A63B  
71/081; A63B 71/085; A63B 2071/085;  
A63B 2071/088; A61C 7/10; A61C  
13/08; A61C 13/081; A61C 13/083; A61C  
13/087; A61C 19/066; A61C 5/14; A61B  
13/00; A61B 13/24  
See application file for complete search history.

(56) **References Cited**

**U.S. PATENT DOCUMENTS**

D509,028 S *	8/2005	Farrell	.....	D29/108
D570,550 S *	6/2008	Broersma	.....	D29/108
D595,413 S *	6/2009	Farrell	.....	D24/181
D611,658 S *	3/2010	Manzo	.....	D29/108
D615,709 S *	5/2010	Manzo	.....	D29/108
D616,152 S *	5/2010	Manzo	.....	D29/108

D618,399 S *	6/2010	Manzo	.....	D29/108
D618,806 S *	6/2010	Gelb	.....	D24/181
D623,357 S *	9/2010	Manzo	.....	D29/108
D626,292 S *	10/2010	Farrell	.....	D29/108
D630,382 S *	1/2011	Manzo	.....	D29/108
D634,480 S *	3/2011	Manzo	.....	D29/108
D648,900 S *	11/2011	Manzo	.....	D29/108
D652,575 S *	1/2012	Farrell	.....	D29/108
D652,576 S *	1/2012	Farrell	.....	D29/108
D657,916 S *	4/2012	Pelerin	.....	D29/108
D658,813 S *	5/2012	Manzo	.....	D29/108
RE44,078 E *	3/2013	Farrell	.....	D29/108
8,800,184 B1 *	8/2014	Lerman	.....	G09F 23/00 128/861
D743,107 S *	11/2015	Hirshberg	.....	D29/108
D743,108 S *	11/2015	Charlton	.....	D29/108

\* cited by examiner

*Primary Examiner* — Elizabeth J Oswecki

(74) *Attorney, Agent, or Firm* — Clark & Elbing LLP

(57) **CLAIM**

The ornamental design for a mouthguard, substantially as shown and described.

**DESCRIPTION**

FIG. 1 is a perspective view of a mouthguard showing our new design.  
FIG. 2 is a front view of the mouthguard of FIG. 1.  
FIG. 3 is a back view of the mouthguard of FIG. 1.  
FIG. 4 is a right side view of the mouthguard of FIG. 1.  
FIG. 5 is a left view of the mouthguard of FIG. 1.  
FIG. 6 is a top view of the mouthguard of FIG. 1; and,  
FIG. 7 is a bottom view of the mouthguard of FIG. 1.  
The broken lines shown in the drawings represent portions of the mouthguard that form no part of the claimed design.

**1 Claim, 4 Drawing Sheets**

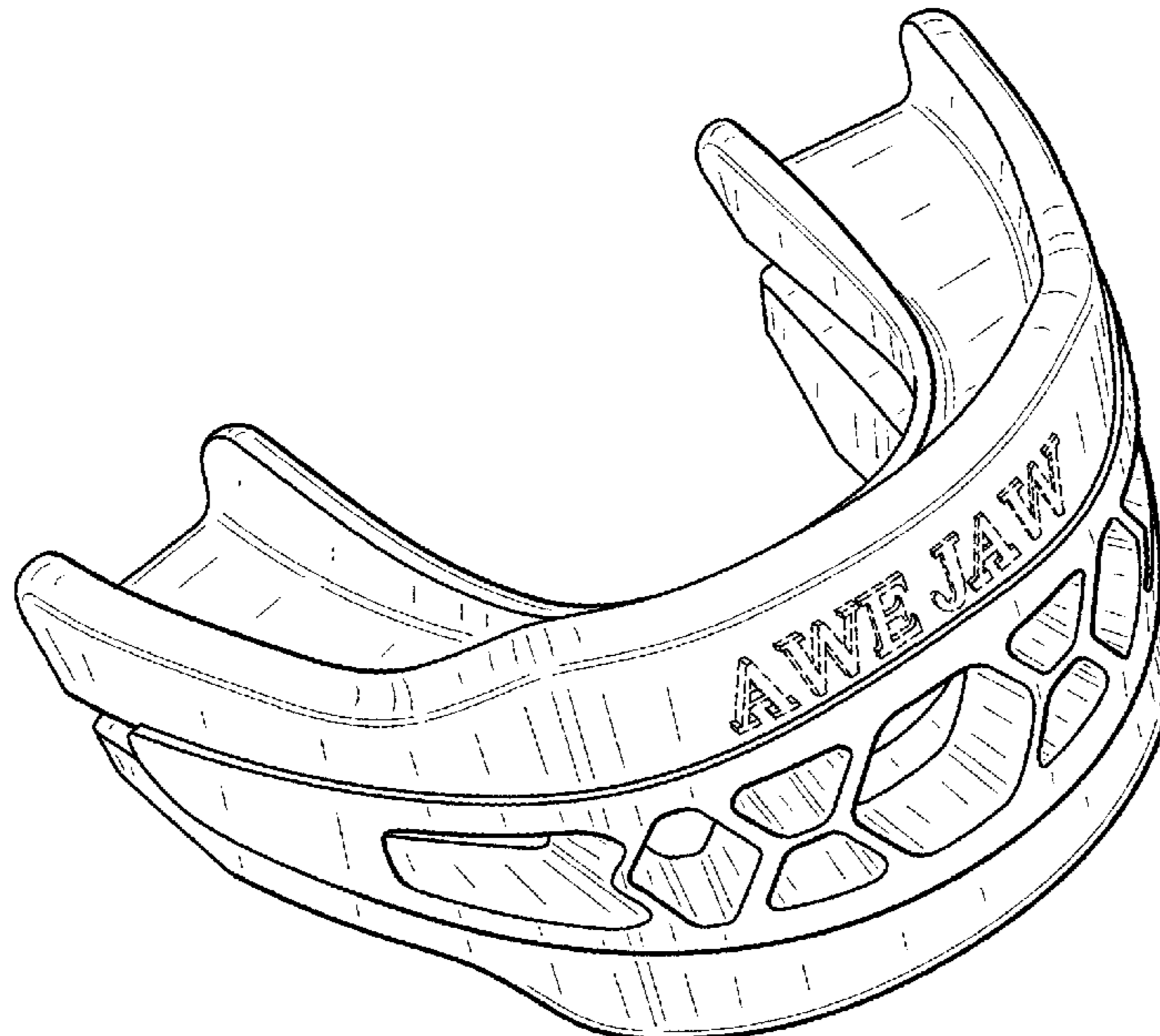


FIG. 1

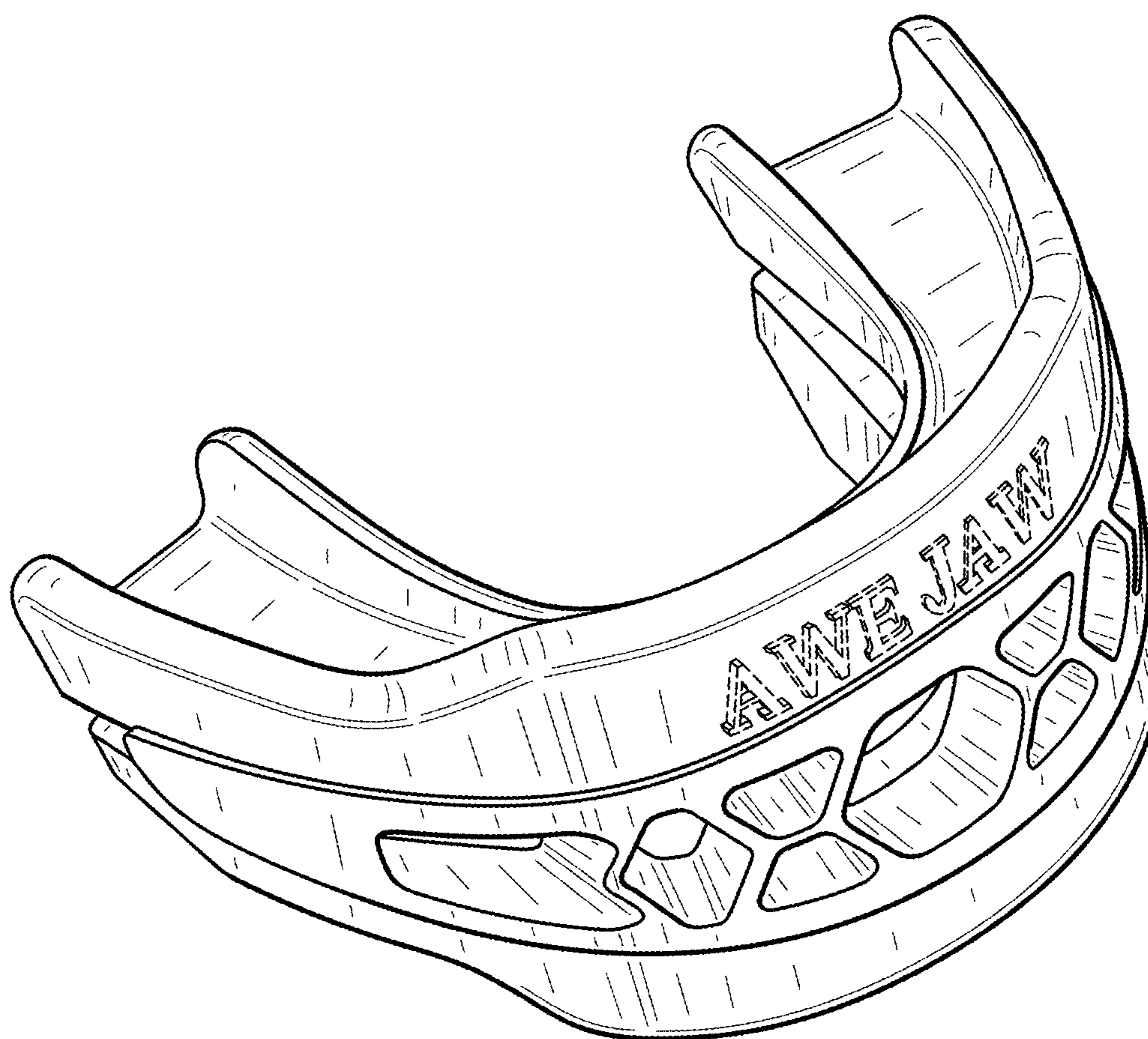


FIG. 2

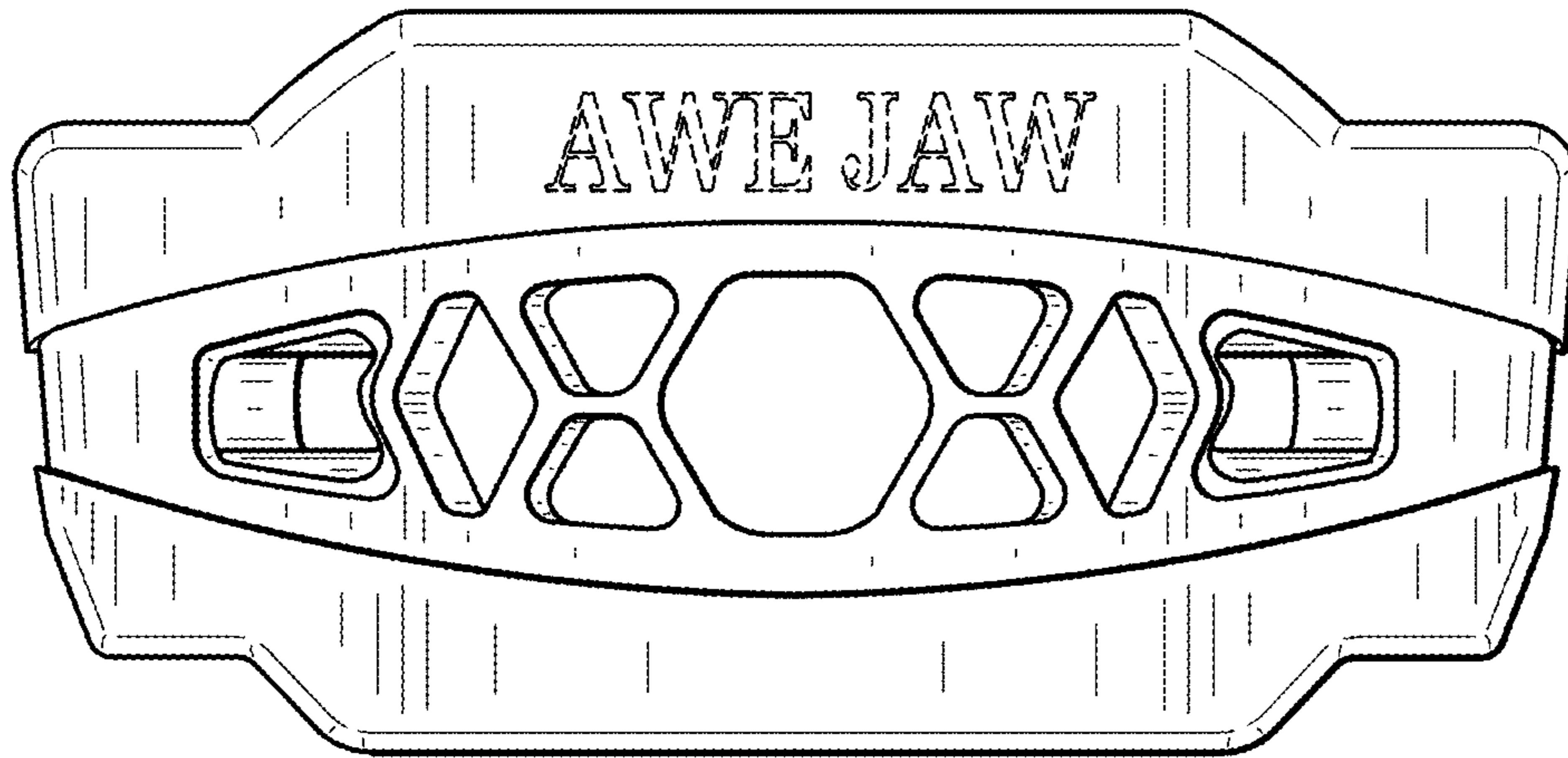


FIG. 3

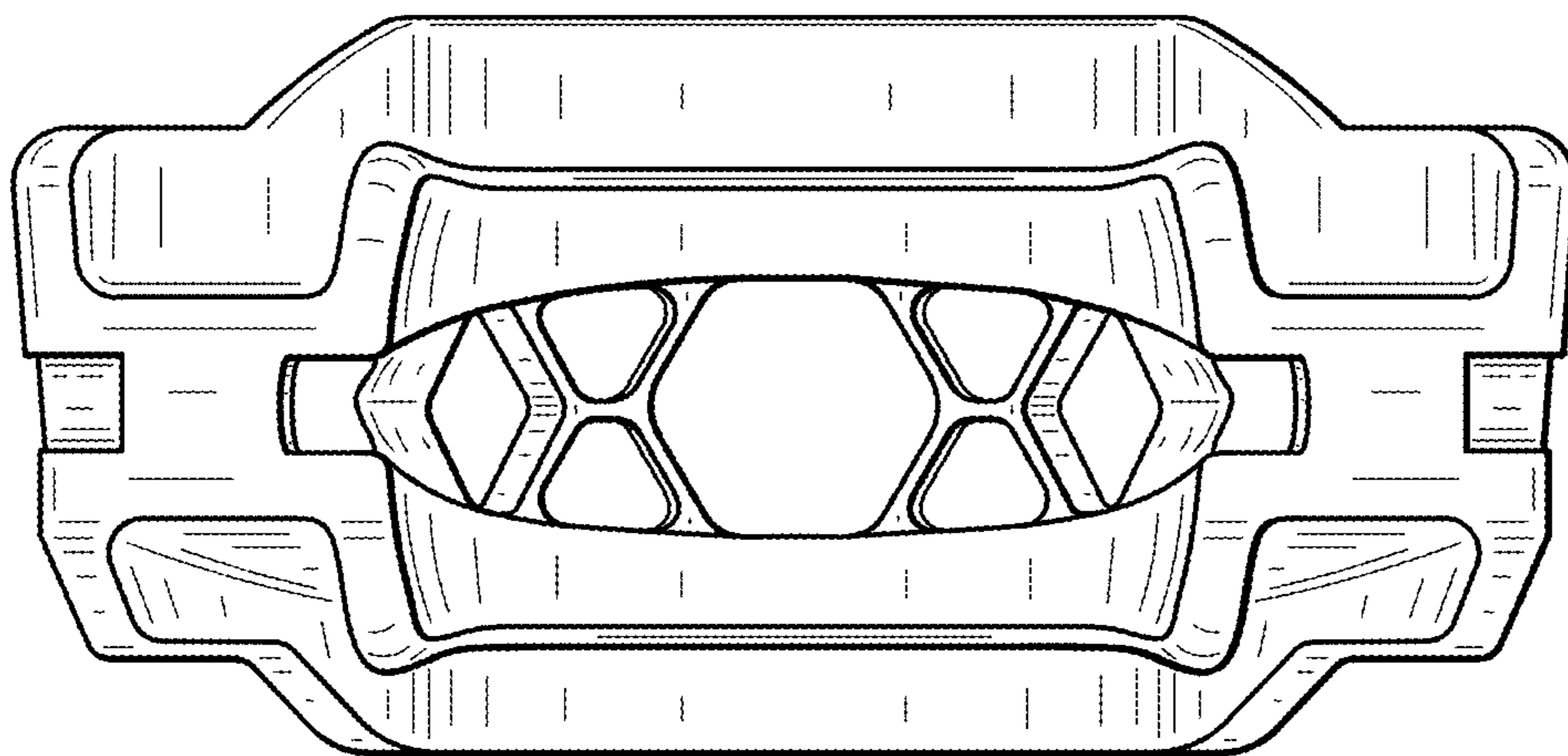


FIG. 4

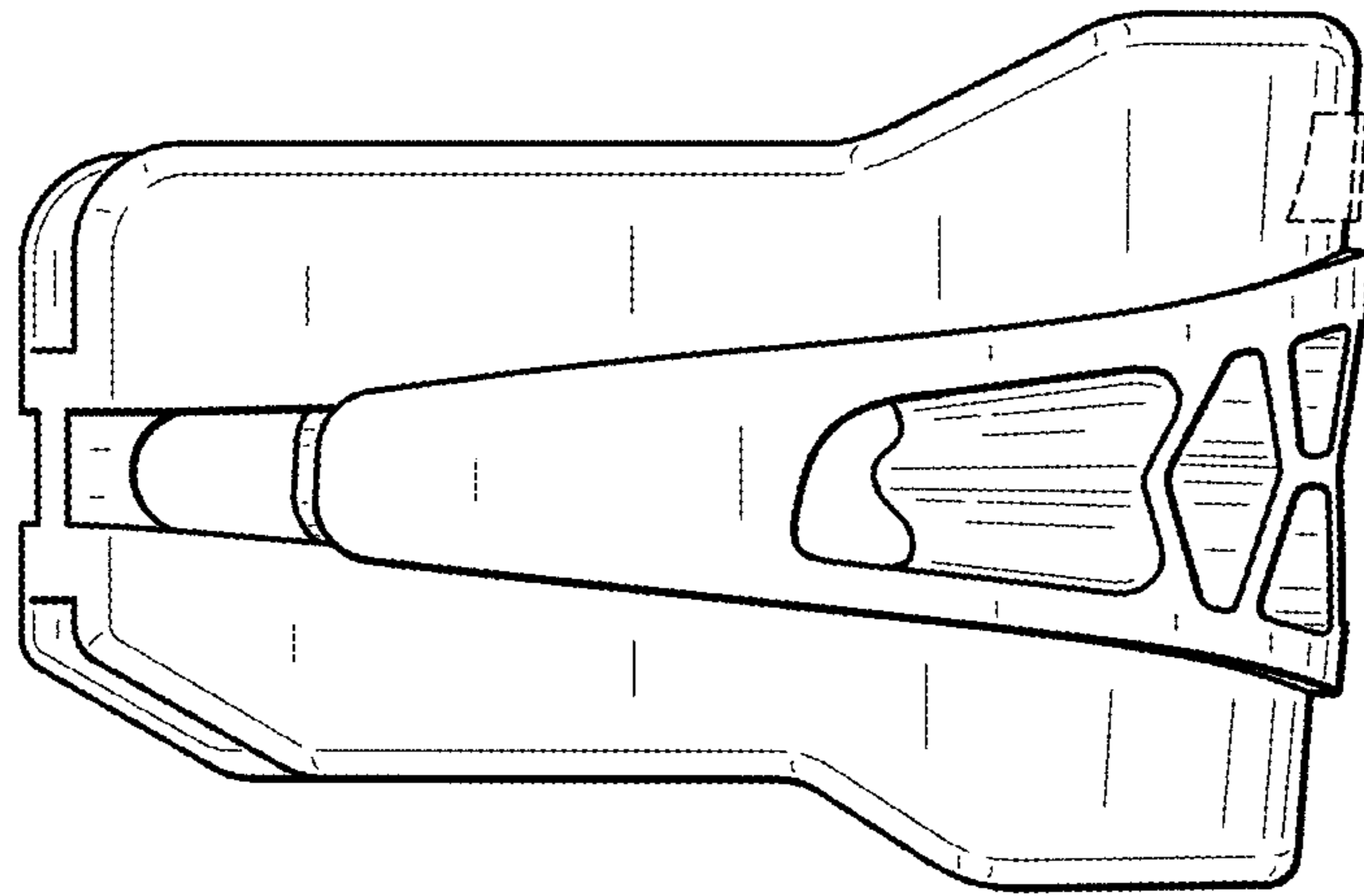


FIG. 5

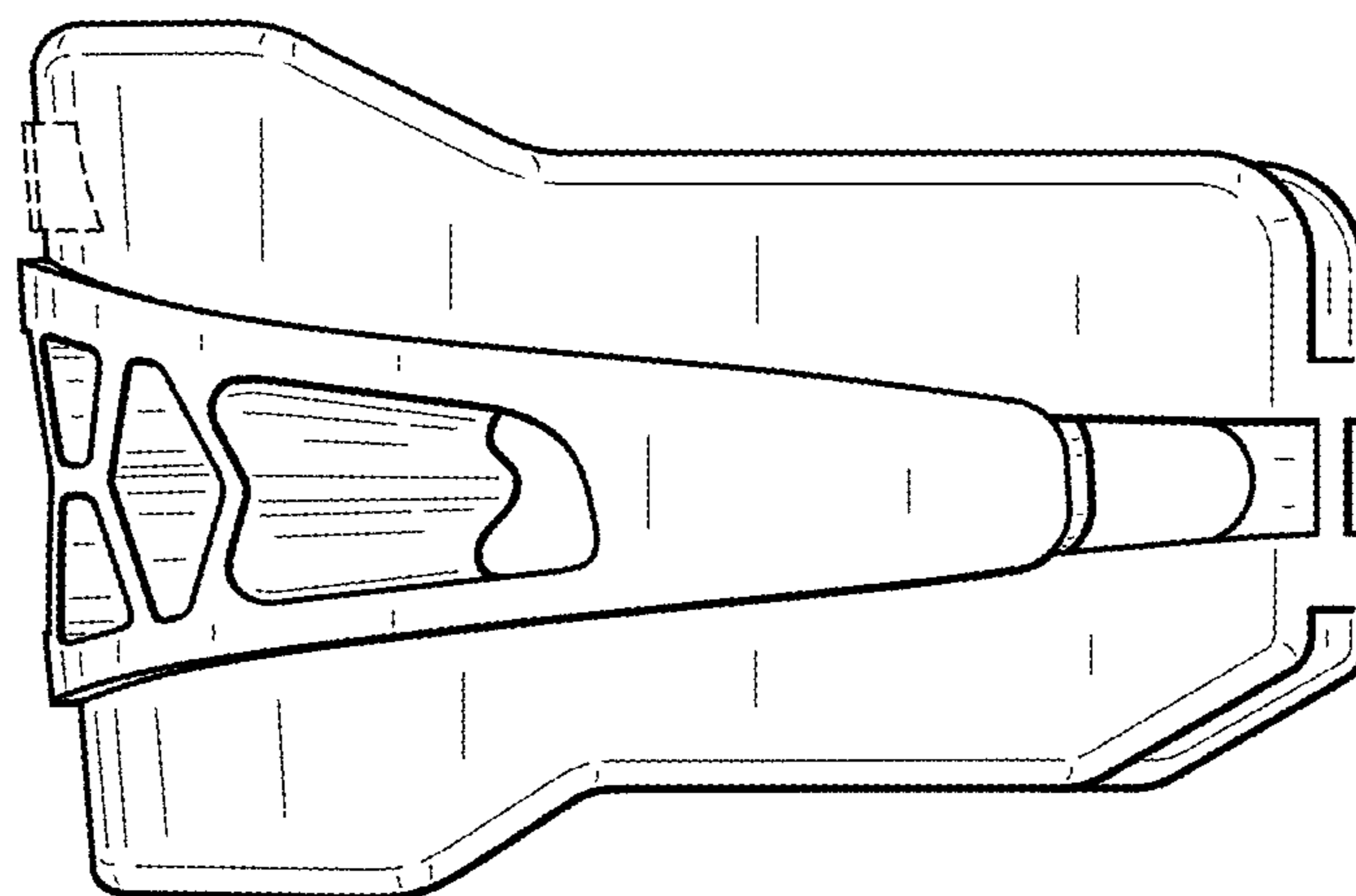


FIG. 6

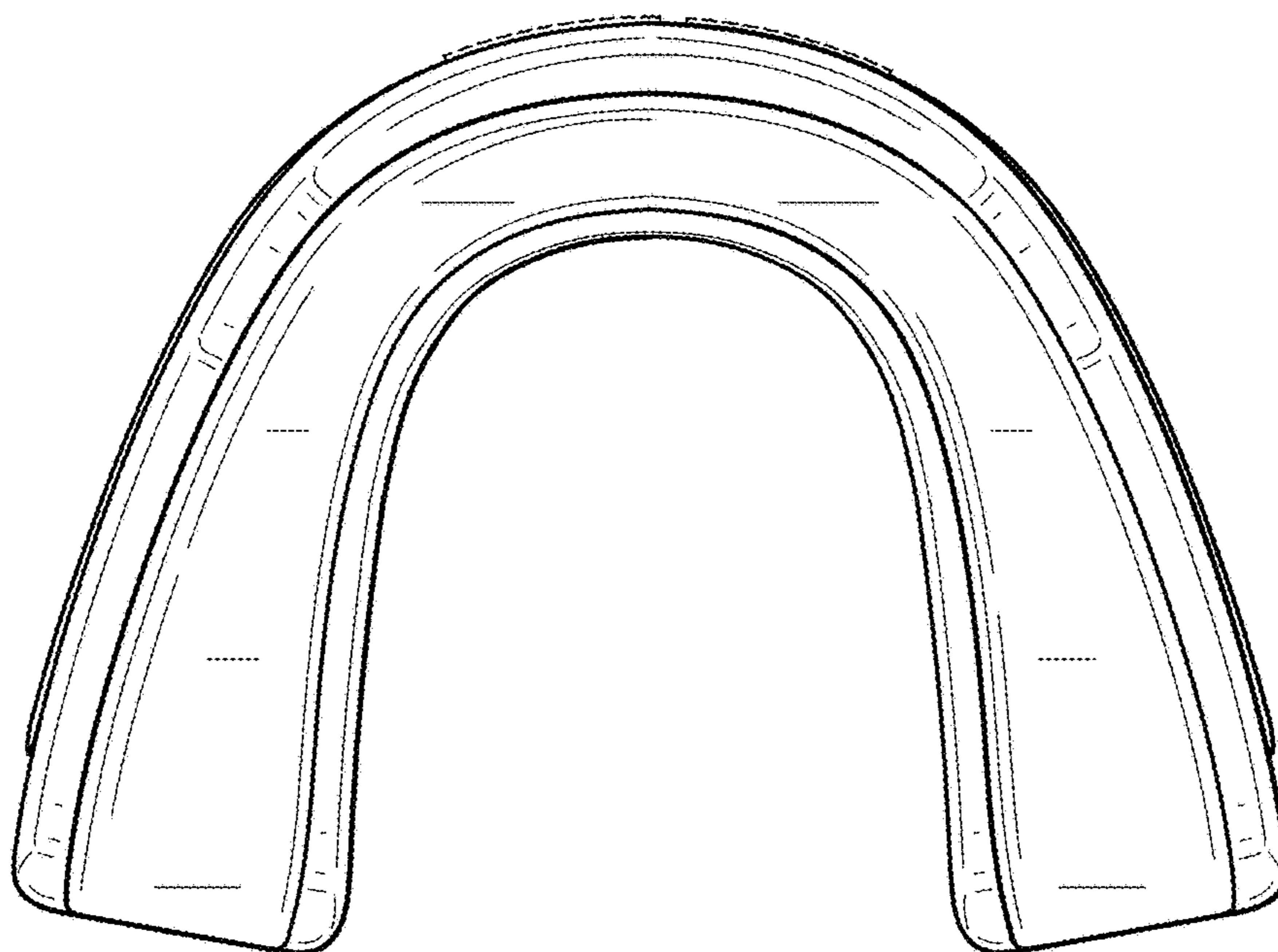


FIG. 7

