



US00D782728S

(12) **United States Design Patent** (10) **Patent No.:** **US D782,728 S**
Pinder (45) **Date of Patent:** **** Mar. 28, 2017**

(54) **ELECTRONIC CIGARETTE**
(71) Applicant: **Nicoventures Holdings Limited**,
London (GB)
(72) Inventor: **Adam Pinder**, London (GB)
(73) Assignee: **NICOVENTURES HOLDINGS LIMITED**, London (GB)
(**) Term: **15 Years**
(21) Appl. No.: **29/555,224**
(22) Filed: **Feb. 19, 2016**

Related U.S. Application Data

(62) Division of application No. 29/500,347, filed on Aug. 25, 2014, now Pat. No. Des. 761,998.

(30) **Foreign Application Priority Data**

Feb. 25, 2014 (CN) 2014 3 0034083
Apr. 21, 2014 (CN) 2014 3 0096883
Jul. 14, 2014 (CN) 2014 3 0236379

(51) **LOC (10) Cl.** **27-01**
(52) **U.S. Cl.**
USPC **D27/101**

(58) **Field of Classification Search**

USPC D27/100, 101, 102, 163, 165, 166, 167,
D27/193, 194; D24/110; 131/179, 222,
131/260, 270, 271, 273, 329, 330, 358,
131/367
CPC A24F 1/26; A24F 1/30; A24F 3/00; A24F
7/00; A24F 15/00; A24F 23/00; A24F
23/02; A24F 47/00; A24F 47/002; A24F
47/008

See application file for complete search history.

(56) **References Cited**

U.S. PATENT DOCUMENTS

D644,375 S * 8/2011 Zhou D27/101
D676,621 S * 2/2013 Florkiewicz D32/35
D691,324 S * 10/2013 Saliman D27/101
D720,882 S * 1/2015 Albanese D27/101
D720,883 S * 1/2015 Albanese
D725,310 S * 3/2015 Eksouzian D27/101
D750,834 S * 3/2016 Wei D27/101

(Continued)

FOREIGN PATENT DOCUMENTS

CN 302876551 7/2014
EM 001279020-0001 7/2011

(Continued)

OTHER PUBLICATIONS

Japanese Office Action, Japanese Application No. 2014-018491, dated Jun. 2, 2015.

(Continued)

Primary Examiner — Rosemary K Tarcza
Assistant Examiner — Christy Nemeth
(74) *Attorney, Agent, or Firm* — Patterson Thuent
Pedersen, P.A.

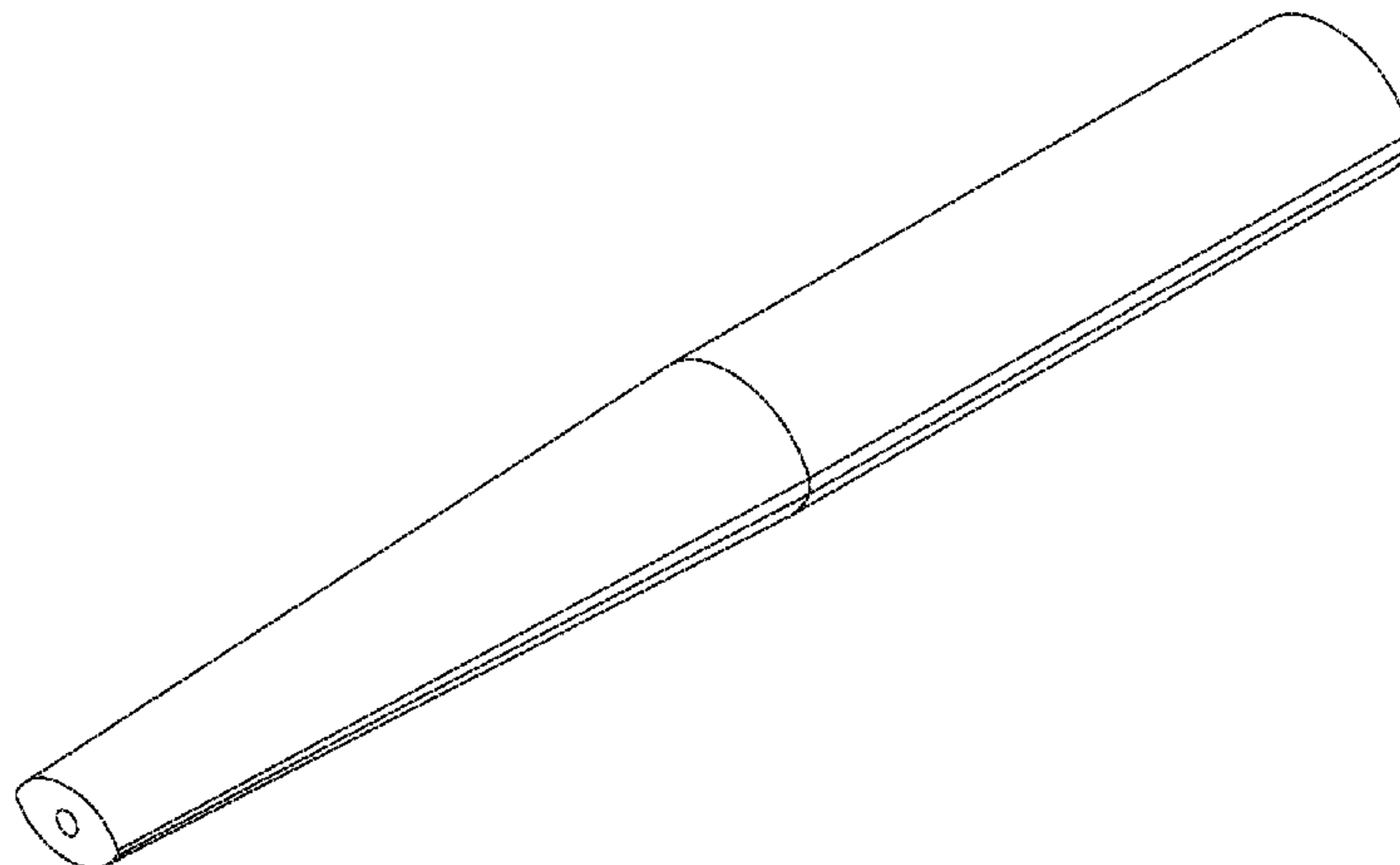
(57) **CLAIM**

I claim the ornamental design for an electronic cigarette, as shown.

DESCRIPTION

FIG. 1 is a perspective view of the disclosed electronic cigarette;
FIG. 2 is a right side view thereof (the left side being substantially a mirror image thereof);
FIG. 3 is a front view thereof (the rear being substantially a mirror image thereof);
FIG. 4 is a bottom view thereof; and,
FIG. 5 is a top perspective view thereof.

1 Claim, 4 Drawing Sheets



(56)

References Cited

U.S. PATENT DOCUMENTS

	D750,835	S	*	3/2016	Wei	D27/101
	D756,031	S	*	5/2016	Wu	D27/101
	D757,352	S	*	5/2016	Bagai	D27/101
	D761,998	S	*	7/2016	Pinder	D27/101
	D768,915	S	*	10/2016	Wright	D27/101
2010/0200008	A1*			8/2010	Taieb	A24F 47/008 131/360
2013/0152954	A1*			6/2013	Youn	A61M 15/06 131/273
2013/0199528	A1*			8/2013	Goodman	F22B 1/282 128/203.26
2014/0026903	A1*			1/2014	Haider	A24F 7/00 131/229
2014/0283858	A1*			9/2014	Liu	A24F 47/008 131/329
2015/0034104	A1*			2/2015	Zhou	A24F 47/008 131/329
2015/0181930	A1*			7/2015	Liu	A24F 47/008 131/329
2015/0181940	A1*			7/2015	Liu	A24D 3/043 131/329
2015/0208728	A1*			7/2015	Lord	A24F 7/00 131/329
2015/0333542	A1*			11/2015	Alarcon	H02J 7/00 131/328

	2015/0342255	A1*	12/2015	Wu	A61M 15/06 131/329
	2016/0050976	A1*	2/2016	Righetti	A24B 15/16 131/328
	2016/0113325	A1*	4/2016	Liu	A24F 47/008 131/329
	2016/0150823	A1*	6/2016	Liu	H05B 3/46 131/328
	2016/0204637	A1*	7/2016	Alarcon	A24F 47/008 320/114
	2016/0213065	A1*	7/2016	Wensley	A24F 47/008
	2016/0270441	A1*	9/2016	Lewis	A24F 47/002
	2016/0270446	A1*	9/2016	Shenkal	A24F 47/008
	2016/0278163	A1*	9/2016	Chen	A24F 47/00
	2016/0278436	A1*	9/2016	Verleur	A24F 47/008
	2016/0286864	A1*	10/2016	Lin	A24F 47/008

FOREIGN PATENT DOCUMENTS

EM	001307631-0024		4/2012
EM	001316533-0003		6/2012
JP	1519006 S		3/2015
WO	DM 081209		6/2013

OTHER PUBLICATIONS

Office Action for Russian Design Application No. 2014 503 384 dated Jul. 22, 2015 (with English translation).

* cited by examiner

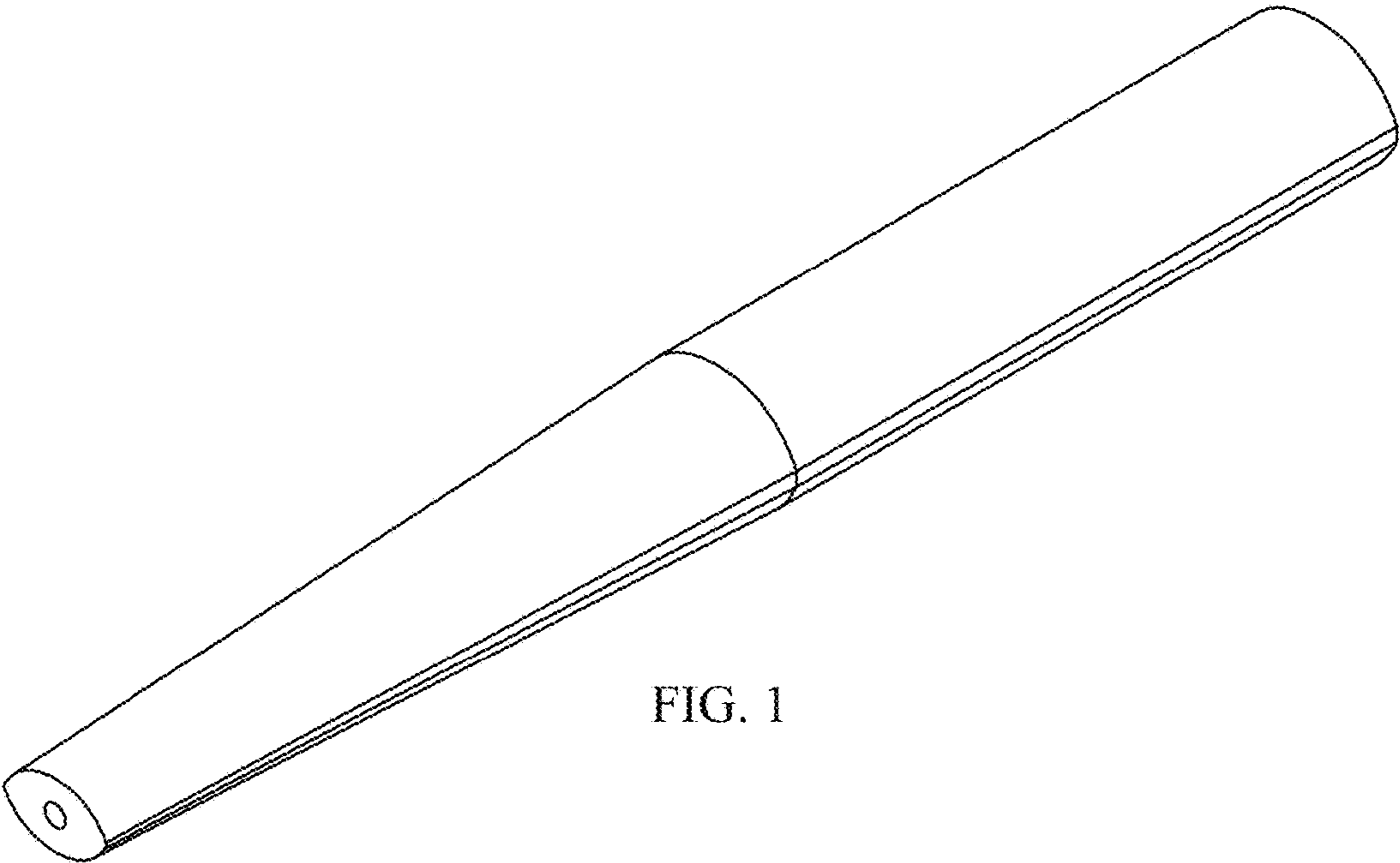


FIG. 1

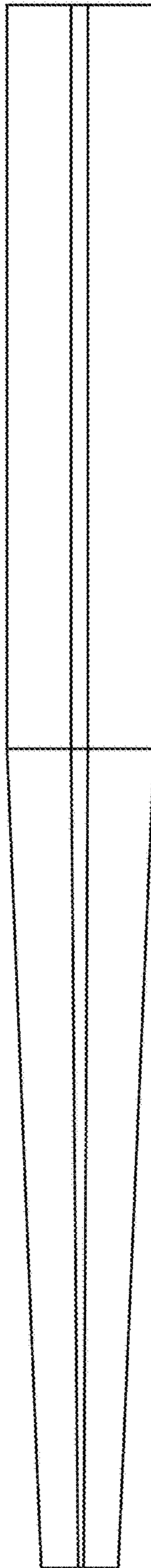


FIG. 2

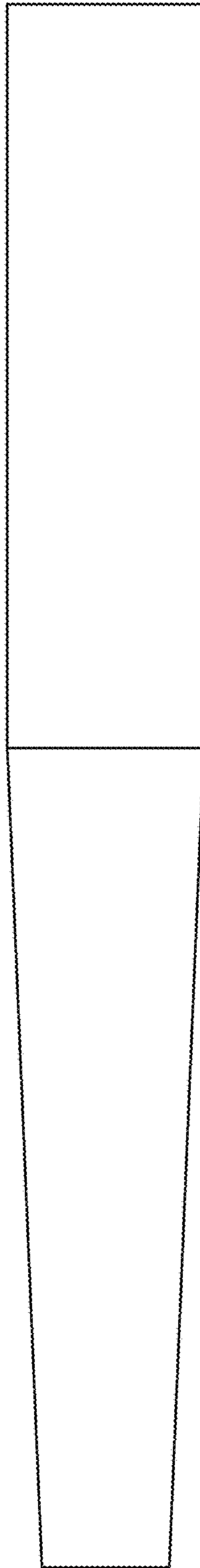


FIG. 3

FIG. 4

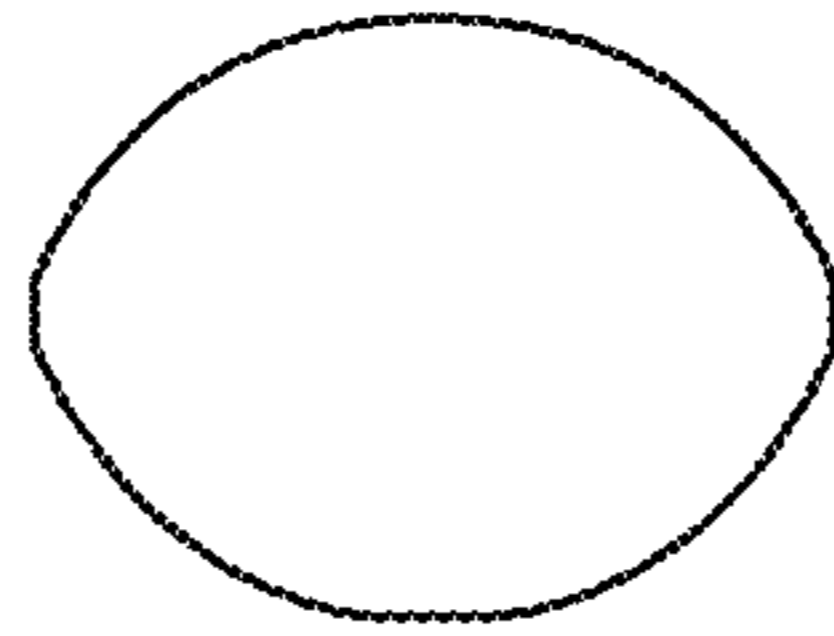


FIG. 5

